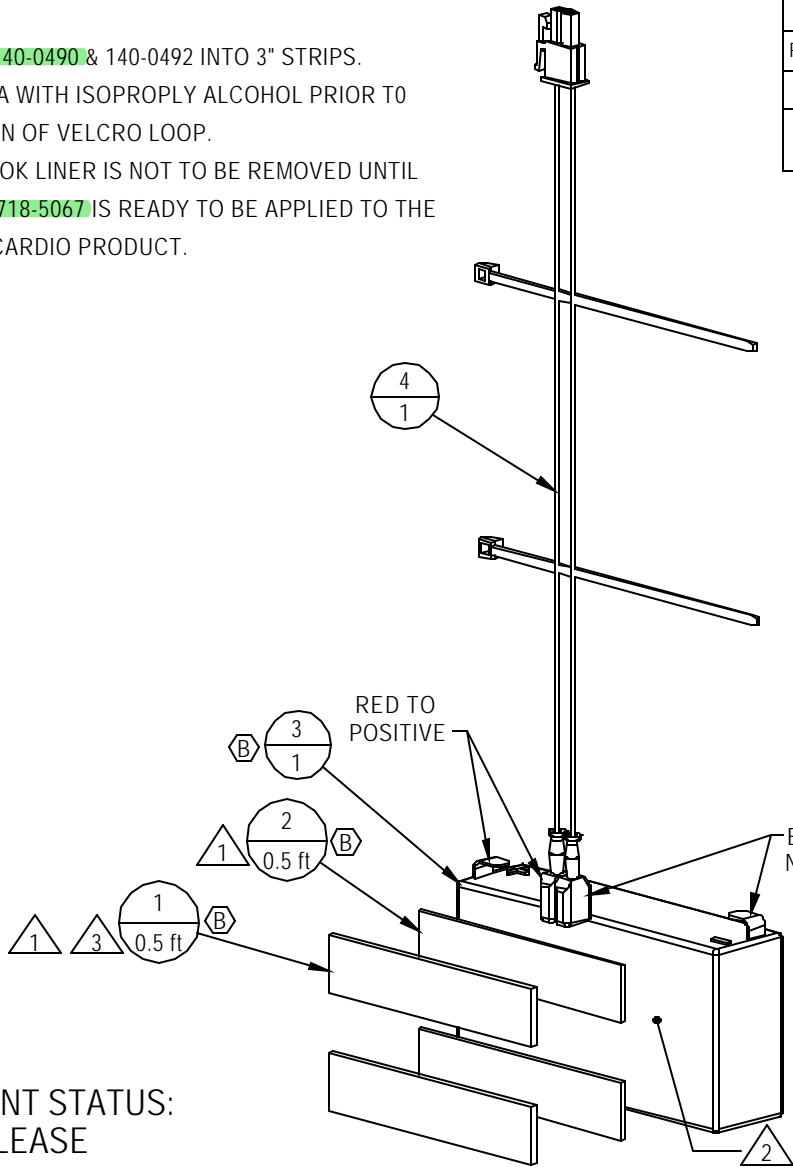


NOTES: (B)

- CUT P/N'S: 140-0490 & 140-0492 INTO 3" STRIPS.
- CLEAN AREA WITH ISOPROPLY ALCOHOL PRIOR TO APPLICATION OF VELCRO LOOP.
- VELCRO HOOK LINER IS NOT TO BE REMOVED UNTIL ASSEMBLY 718-5067 IS READY TO BE APPLIED TO THE SPECIFIED CARDIO PRODUCT.



REVISION HISTORY

REV	DATE	DESCRIPTION	ECO	BY
A	12/10/03	PRODUCTION RELEASE	11066	VC
B	07-01-09	BOM: REMOVED P/N: 580-0305; BOM: ADDED P/N'S: 140-0490, 140-0492, AND 580-0275; ADDED NOTE 1, 2, AND 3	12172	SJK

ITEM NO.	PART NUMBER	DESCRIPTION	Default/QTY.
(B) 1	140-0490	TAPE, VELCRO HOOKS	0.5 ft
(B) 2	140-0492	TAPE, VELCRO LOOPS	0.5 ft
(B) 3	580-0275	BATTERY, 6V NP	1
4	718-1127	ASSY, HARNESS, BATTERY, UB/RB PRO	1

DOCUMENT STATUS:  
RELEASE

NOTICE OF PROPRIETARY INFORMATION

THIS DOCUMENT SHALL NOT BE REPRODUCED NOR SHALL THE INFORMATION CONTAINED HEREIN BE USED BY OR DISCLOSED TO OTHER EXCEPT AS EXPRESSLY AUTHORIZED BY UNISEN INC. D.B.A. STAR TRAC.

MATERIAL SEE BOM	UNLESS OTHERWISE SPECIFIED DIMENSIONS ARE IN INCHES. TOLERANCES ARE: DECIMALS X. = ±.13 X.X = ±.05 X.XX = ±.03 X.XXX = ±.010
FINISH N/A	INITIAL DATE DRAWN FJM 08/14/03 CHECKED APPROVED
VENDOR:	P/N: U.O.M. INCH

UNISEN, INC. DBA



14410 Myford Road  
Irvine CA 92606

STARTRAC PART NO <b>718-5067</b>	REV <b>B</b>
-------------------------------------	-----------------

TITLE  
ASSY, BATTERY

SCALE: 1:2 SHEET 1 OF 1 SHEET SIZE: A

