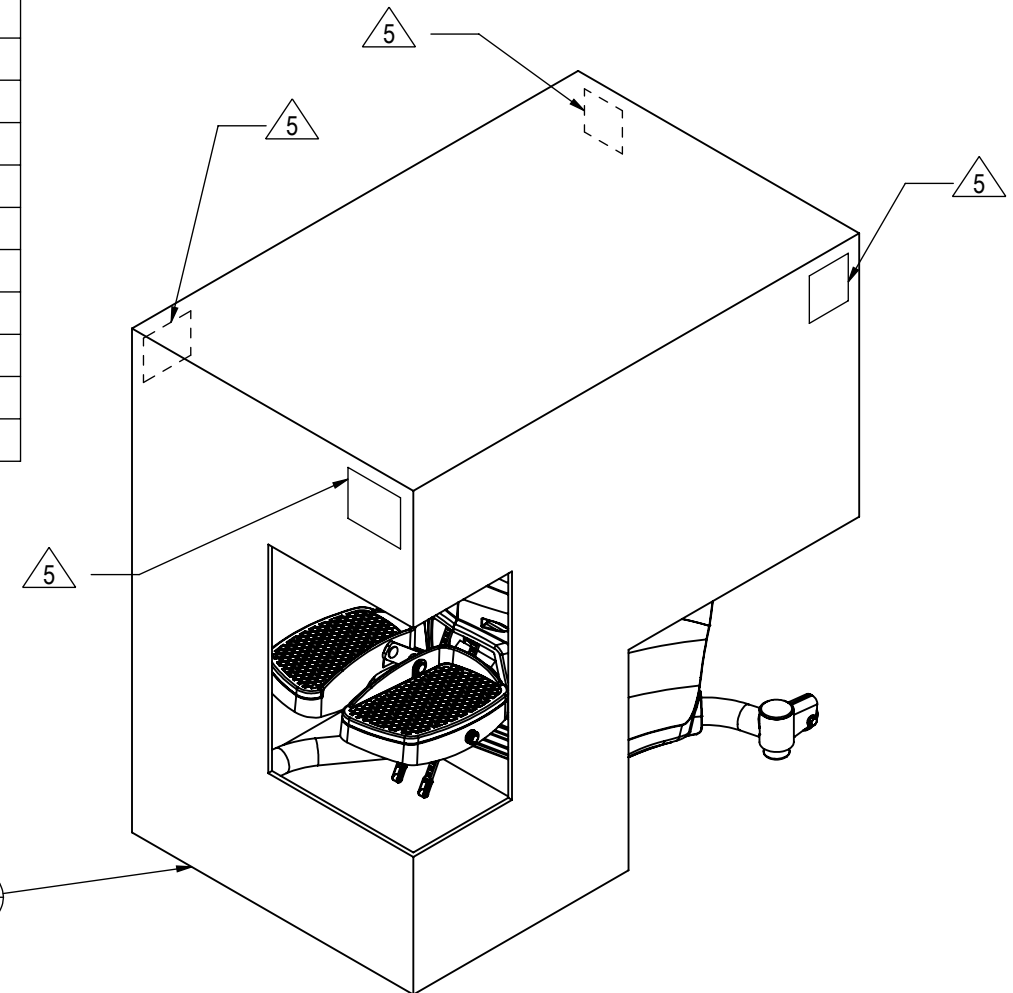


9		8		7		6		5		4		3		2		1	
J I H G F E D C B A	ITEM NO.	PART NUMBER	-XX	DESCRIPTION	QTY.	NOTES	ITEM NO.	PART NUMBER	-XX	DESCRIPTION	QTY.	NOTES	REVISION HISTORY				
	1	050-2059		LABEL, ID, BIKES,GENERIC	1		25	620-7690		MANUAL, OWNERS, E-ST	1		REV	DATE	DESCRIPTION	ECO	BY
	2	050-2195		BADGE, PRODUCT, E-ST	3		26	711-3161		ASSY, HARNESS, CSAFE EXT,STEP	1		A	10/13/2010	PRODUCTION RELEASE	13395	DMM
	3	050-2199		LABEL, SECONDARY S/N, CARDIO	1		27	711-3240		CABLE, EMI, ALT AND LCB, E-ST (SC916)	1		B	12/9/2011	ADD 050-2059, 050-223 & 050-2215; REMOVE 050-2198, TB10000002E & TW10000024E	13570	SD
	4	050-2215		LABEL, GENERAL WARNING, E-BTS	1		28	711-3243		CABLE, MAIN INTERFACE, E-ST (SC916)	1		C	7/11/2013	ADDED CABLES, CREATED STAR TRAC AND -XX PART NUMBERS	14256	SS
	5	050-2233		LABEL VOLTAGE 12 VDC 5.5A	1		29	711-3245		CABLE, COAX, M-M, E-ST (SC916)	1		D	9/13/2013	REMOVED: 740-8367-01-20 & 740-8367-02-20, 711-3282 ADDED: 711-3412-XX, 711-3414-XX, 110-1871. CHANGED PART NUMBERS TO GENERIC -XX	14356	SS
	6	050-2271		PACKAGING, CRATE, E-ST	1		30	711-3249		ASSY, SPEED SENSOR, CL, RoHS	1						
	7	410-0506		SCREW, 1/4-28, 3/8, BHC, HK, AS, BO, NP	4	REF	31	711-3254		CABLE, POWER, PVS, E-ST	1						
	8	410-0575		BOLT, 1/4-20 x 1.25, HHC, HE, GS, ZP	4	REF	32	711-3255		CABLE, POWER INPUT, E-ST	1						
	9	410-1871		NUT, 5/16-18, NYLOG	4	REF	33	711-3394-XX	-20	ASSY, HANDRAIL WITH GRIP, RH	1						
	40	410-3076		SCREW, 5/16-18 X 1.25, HHTS	4	REF	34	711-3395-XX	-20	ASSY, HANDRAIL W/ GRIP, LH	1						
	44	410-3169		SCREW, M6x65, SHC, HE, ISO4762	4	REF	35	711-3396-XX	-29	WELDMENT, NECK TUBE	1						
	42	410-3402		SCREW, #8-18, 3/4", HI-LOW, PHT, PH, CS, BO	4	REF	36	711-3397-XX	-38	CAP, LEVELING SUPPORT	2						
	13	110-3480		NUT, 3/8-16, SHN, CS, ZP, GR 5	4		37	711-3398		KIT, HARDWARE, E-ST	1						
	14	110-3542		SCREW, 1/4-20 X 2.50, PAN HEAD	4		38	711-3412-XX	-38	ASSY, COVER, LH, E-ST	1						
	15	110-3543		SCREW, 1/4-20 X .75, PAN HEAD, W/ WASHER	2		39	711-3414-XX	-38	ASSY, COVER, RH, E-ST	1						
	16	110-3544		SCREW, 10-32 X 1.0L, OVAL HEAD PHILLIPS,SS	6		40	715-3682		CABLE, PATCH CAT 6, NETPULSE	1						
	17	420-0410		WASHER, 1/4, SAE FLAT	4	REF	41	740-7907-XX	-20	BASE FRAME, STEPPER SC916	1						
	18	420-0420		WASHER, 1/4, SPLIT LOCK	4	REF	42	740-7911-XX	-20	ASSY, DISP WELDMENT, W/ HR	1						
	19	420-0480		WASHER, 5/16-ID, 7/8-OD, .087 THK	4	REF	43	740-7912		DECAL, SHROUD, R	1						
	20	420-0495		WASHER, 5/16, SPLIT LOCK	4	REF	44	740-7913		DECAL, SHROUD, L	1						
	21	120-3307		WASHER, M4, 4.3mm I.D. X 12mm O.D., ISO 7089	4		45	740-8204		CABLE, DISPLAY GROUND, E-BK/E-CT	1						
	22	140-3495		FEET, 3/8-16 SCREW, 1.93" BASE	2		46	740-8520		RUBBER TRIM, E-ST	1						
	23	240-6918		CONNECTOR, 8-PIN, 90-DEG	1		47	740-8521-XX	-38	COVER, TOP, E-ST	1						
24	620-7135		DOC.,WARRANTY,COMMERCIAL	-		48	740-8522		COVER, NECK SUPPORT, E-ST	1							

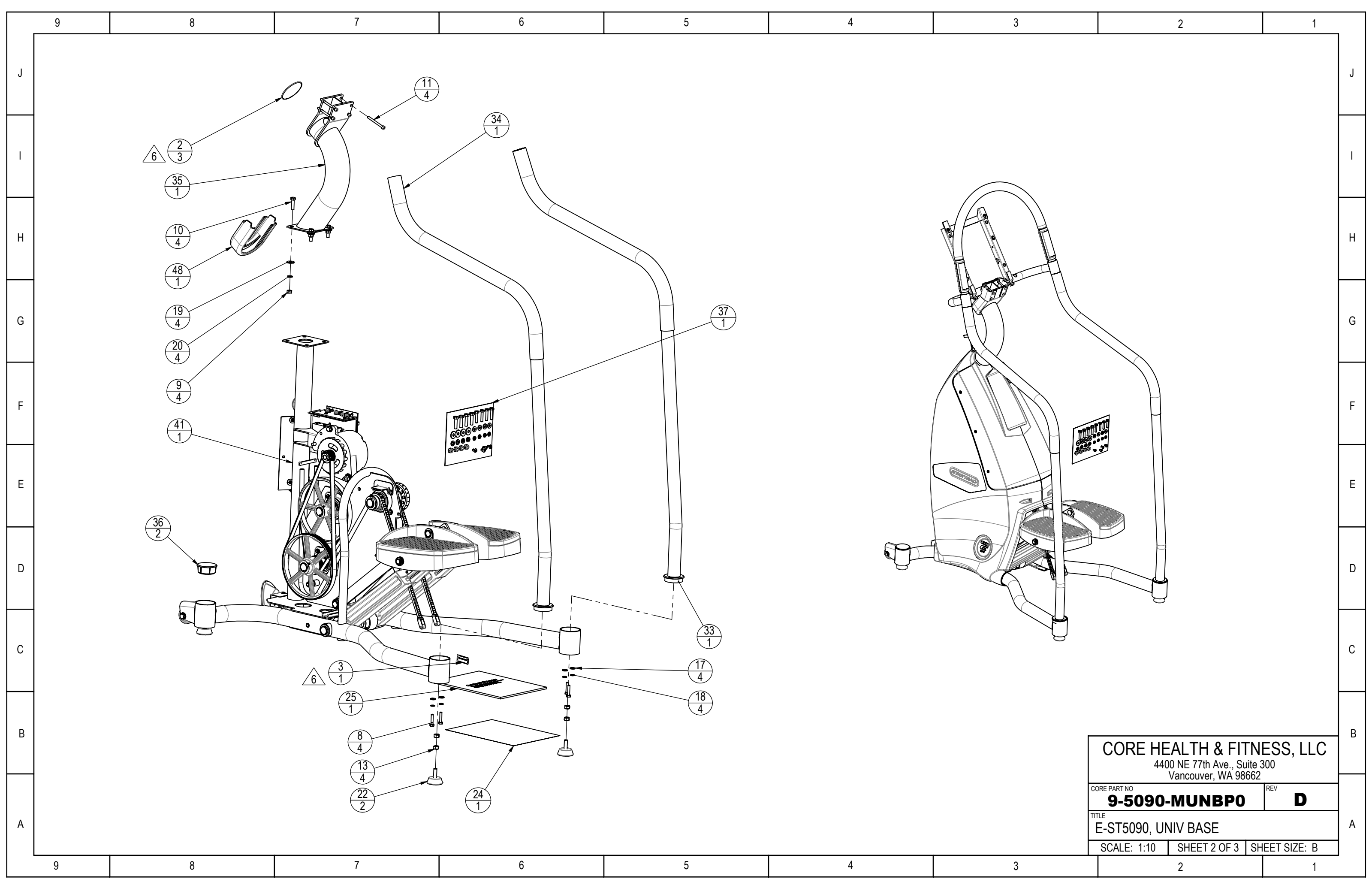


- NOTES:
- XX COLOR DESIGNATOR PER SOP 620-8222, UNLESS OTHERWISE NOTED.
 - BOX SIZE
 - L = 46in (1168.4mm)
 - W = 29in (736.6mm)
 - H = 45in (1143mm)
 - BOX UNIT GROSS WEIGHT: 249lbs
 - E-ST NET WEIGHT: 219lbs
 - LABEL INFORMATION (4 PLACES)
 - MODEL: E-ST
 - SKU: 9-5090-MUNBP0
 - SERIAL NUMBER: PER DOC 622-200-110
 - DESIGNED IN THE USA
 - ASSEMBLED IN CHINA
 - CLEAN AREA WITH DENATURED ALCOHOL BEFORE APPLYING

DOCUMENT STATUS:

NOTICE OF PROPRIETARY INFORMATION
 THIS DOCUMENT SHALL NOT BE REPRODUCED NOR SHALL THE INFORMATION CONTAINED HEREIN BE USED BY OR DISCLOSED TO OTHER EXCEPT AS EXPRESSLY AUTHORIZED BY CORE HEALTH & FITNESS, LLC.

MATERIAL SEE BOM		THIRD ANGLE PROJECTION 		CORE HEALTH & FITNESS, LLC 4400 NE 77th Ave., Suite 300 Vancouver, WA 98662			
FINISH SEE BOM		DRAWN	INITIAL	DATE	CORE PART NO	REV	
VENDOR:			DMM	09/08/2010	9-5090-MUNBP0	D	
P/N:		U.O.M.	MM	TITLE E-ST5090, UNIV BASE			
				SCALE: 1:14	SHEET 1 OF 3	SHEET SIZE: B	

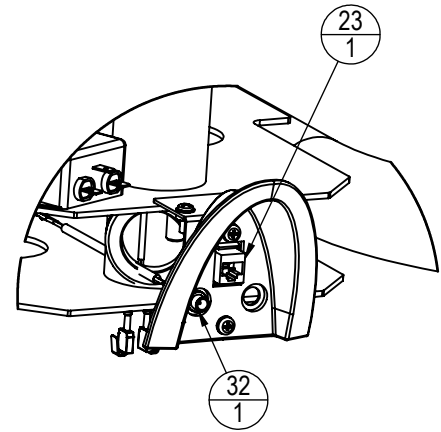


CORE HEALTH & FITNESS, LLC
 4400 NE 77th Ave., Suite 300
 Vancouver, WA 98662

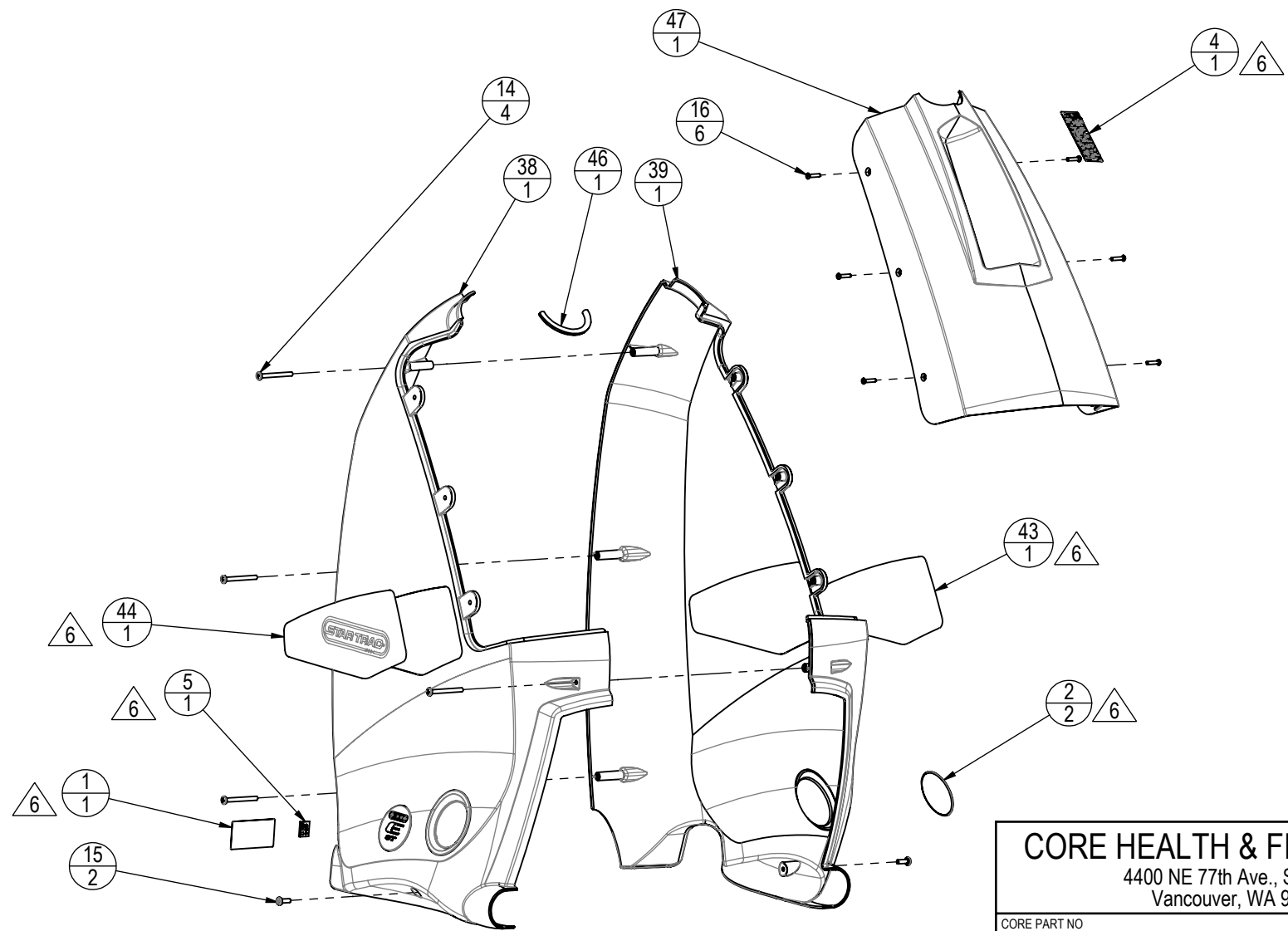
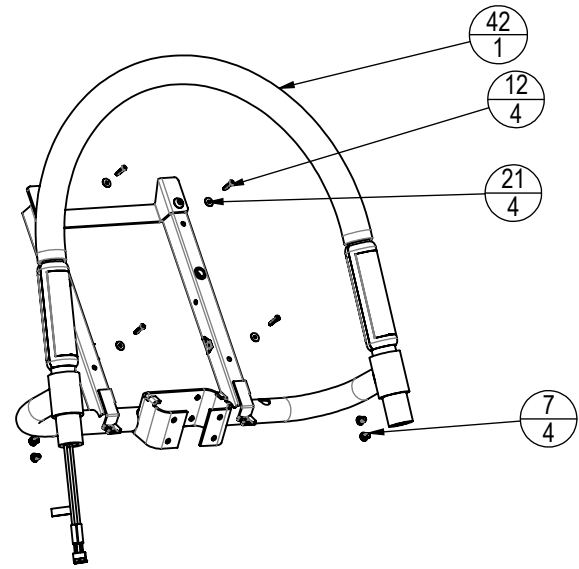
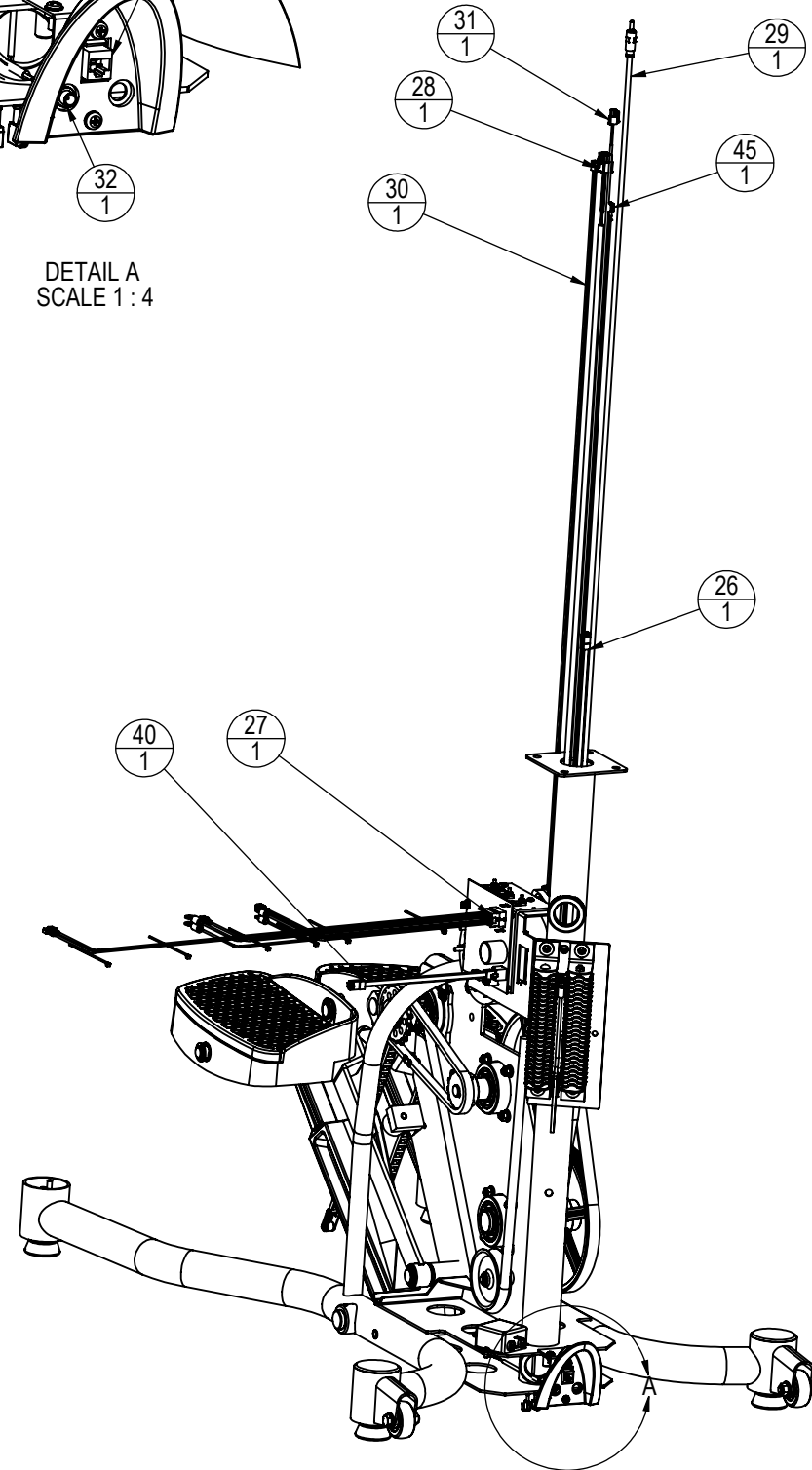
CORE PART NO. **9-5090-MUNBP0** REV **D**

TITLE
E-ST5090, UNIV BASE

SCALE: 1:10 SHEET 2 OF 3 SHEET SIZE: B



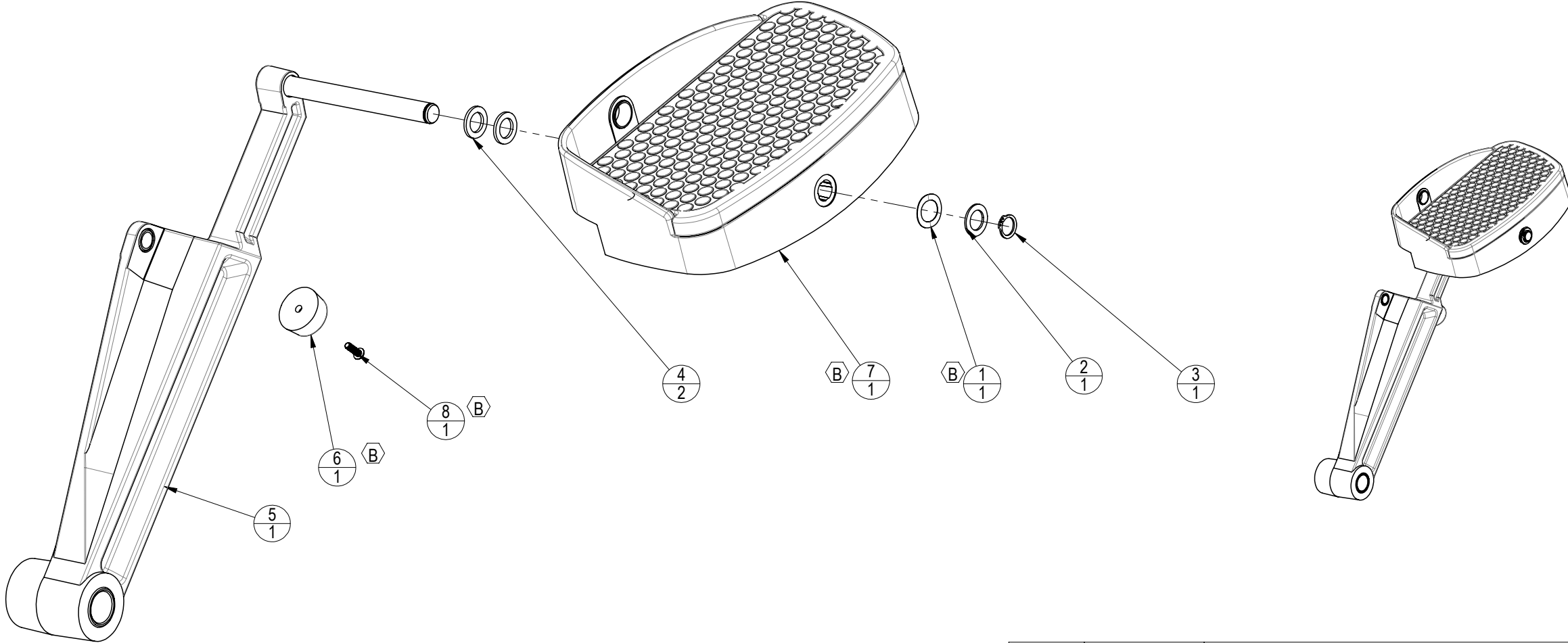
DETAIL A
SCALE 1:4



CORE HEALTH & FITNESS, LLC 4400 NE 77th Ave., Suite 300 Vancouver, WA 98662		
CORE PART NO	REV	
9-5090-MUNBP0	D	
TITLE E-ST5090, UNIV BASE		
SCALE: 1:10	SHEET 3 OF 3	SHEET SIZE: B

NOTES:
1. COLOR DESIGNATOR PER -XX AS SPECIFIED IN SOP 620-8222

REVISION HISTORY				
REV	DATE	DESCRIPTION	ECO	BY
A	9/16/2013	DOCUMENT RELEASE	14356	SS
B	2/23/2015	REMOVE: 140-3534 (1), 740-8324-01 (1); ADD: 120-3284 (1), 711-3434 (1), 711-3482-XX (1), 740-7183 (1)	14883	MMG



ITEM NO.	PART NUMBER	DESCRIPTION	QTY.
1	120-3284	WASHER, WAVE, 11/16" ID, SS	1
2	120-3334	WASHER, .635X1.0X.062, STEEL, ZINC	1
3	120-3335	RING, SNAP 5/8", ZINC PLATED	1
4	120-3336	WASHER, TRHUST, 5/8" DIA, NYLON	2
5	711-3400-XX	PEDAL ARM, LH	1
6	711-3434	MOUNT, SHOCK, LEG BOTTOM	1
7	711-3482-XX	ASSY, PEDAL, STEPPER, LEFT	1
8	740-7183	Screw, M5x0.8, 16mm, BHC, HK, SS	1

DOCUMENT STATUS:

NOTICE OF PROPRIETARY INFORMATION
THIS DOCUMENT SHALL NOT BE REPRODUCED NOR SHALL THE INFORMATION CONTAINED HEREIN BE USED BY OR DISCLOSED TO OTHER EXCEPT AS EXPRESSLY AUTHORIZED BY CORE HEALTH & FITNESS, LLC.

MATERIAL
SEE BOM

FINISH
N/A

VENDOR:

P/N:

THIRD ANGLE PROJECTION



CORE HEALTH & FITNESS, LLC
4400 NE 77th Ave., Suite 300
Vancouver, WA 98662

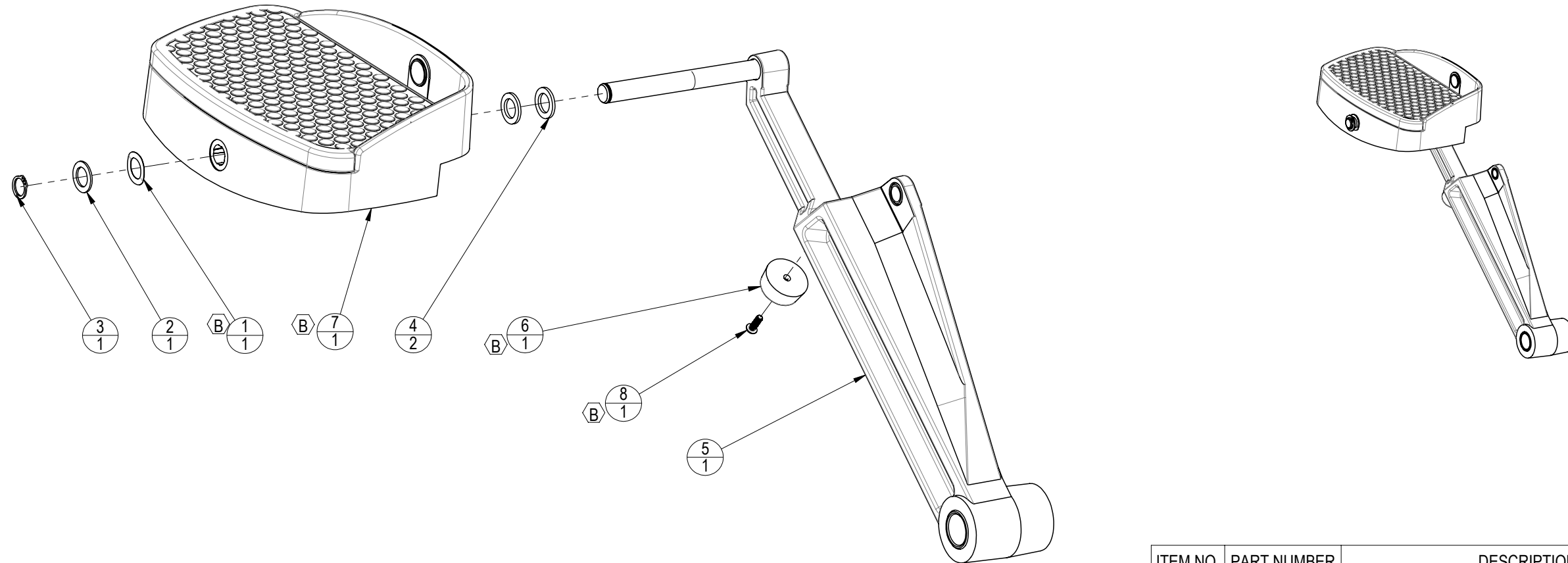
DRAWN	INITIAL	DATE
CHECKED		
APPROVED		
U.O.M.	MM	

CORE PART NO	REV
711-3416-XX	B
TITLE	
ASSY, PEDAL ARM W/PEDAL, E-ST 5090, LH	
SCALE: 1:4	SHEET 1 OF 1 SHEET SIZE: B

9 8 7 6 5 4 3 2 1

NOTES:
1. COLOR DESIGNATOR PER -XX AS SPECIFIED IN SOP 620-8222

REVISION HISTORY				
REV	DATE	DESCRIPTION	ECO	BY
A	9/16/2013	DOCUMENT RELEASE	14356	SS
B	2/24/2015	REMOVE: 140-3534 (1), 740-8324-02 (1); ADD: 120-3284 (1), 711-3434 (1), 711-3483-XX (1), 740-7183 (1)	14883	MMG



ITEM NO.	PART NUMBER	DESCRIPTION	QTY.
(B) 1	120-3284	WASHER, WAVE, 11/16" ID, SS	1
2	120-3334	WASHER, .635X1.0X.062, STEEL, ZINC	1
3	120-3335	RING, SNAP 5/8", ZINC PLATED	1
4	120-3336	WASHER, TRHUST, 5/8" DIA, NYLON	2
5	711-3399-XX	PEDAL ARM, RH	1
(B) 6	711-3434	MOUNT, SHOCK, LEG BOTTOM	1
(B) 7	711-3483-XX	ASSY, PEDAL, STEPPER, RIGHT	1
(B) 8	740-7183	Screw, M5x0.8, 16mm, BHC, HK, SS	1

DOCUMENT STATUS:

NOTICE OF PROPRIETARY INFORMATION
THIS DOCUMENT SHALL NOT BE REPRODUCED NOR SHALL THE INFORMATION CONTAINED HEREIN BE USED BY OR DISCLOSED TO OTHER EXCEPT AS EXPRESSLY AUTHORIZED BY CORE HEALTH & FITNESS, LLC.

MATERIAL
SEE BOM

FINISH
N/A

VENDOR:

P/N:

THIRD ANGLE PROJECTION



DRAWN	INITIAL SS	DATE 9/16/13
CHECKED		
APPROVED		

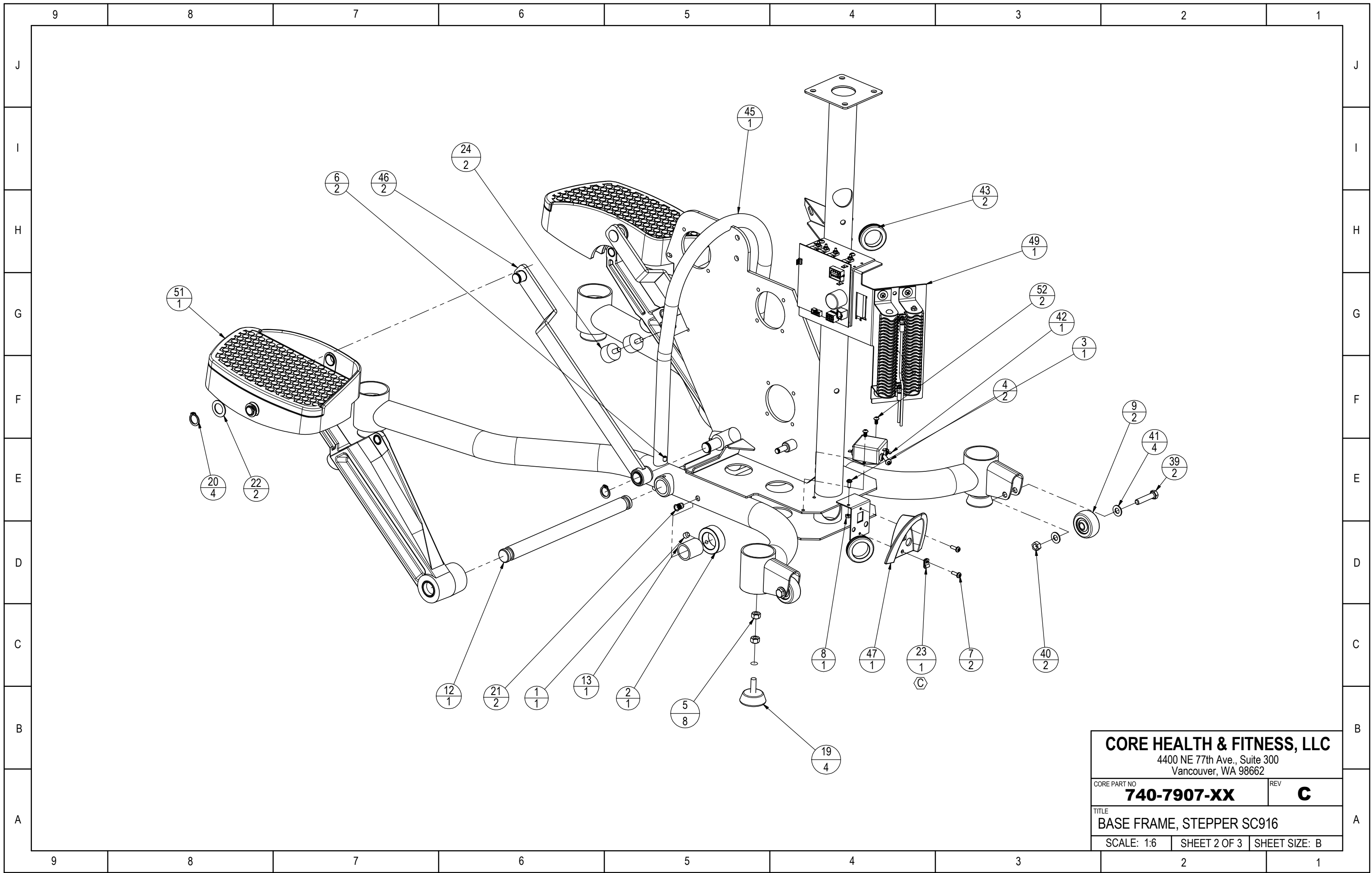
CORE HEALTH & FITNESS, LLC
4400 NE 77th Ave., Suite 300
Vancouver, WA 98662

CORE PART NO
711-3417-XX REV **B**

TITLE
ASSY, PEDAL ARM W/ PEDAL, E-ST 5090, RH

SCALE: 1:4 | SHEET 1 OF 1 | SHEET SIZE: B

9 8 7 6 5 4 3 2 1



CORE HEALTH & FITNESS, LLC
 4400 NE 77th Ave., Suite 300
 Vancouver, WA 98662

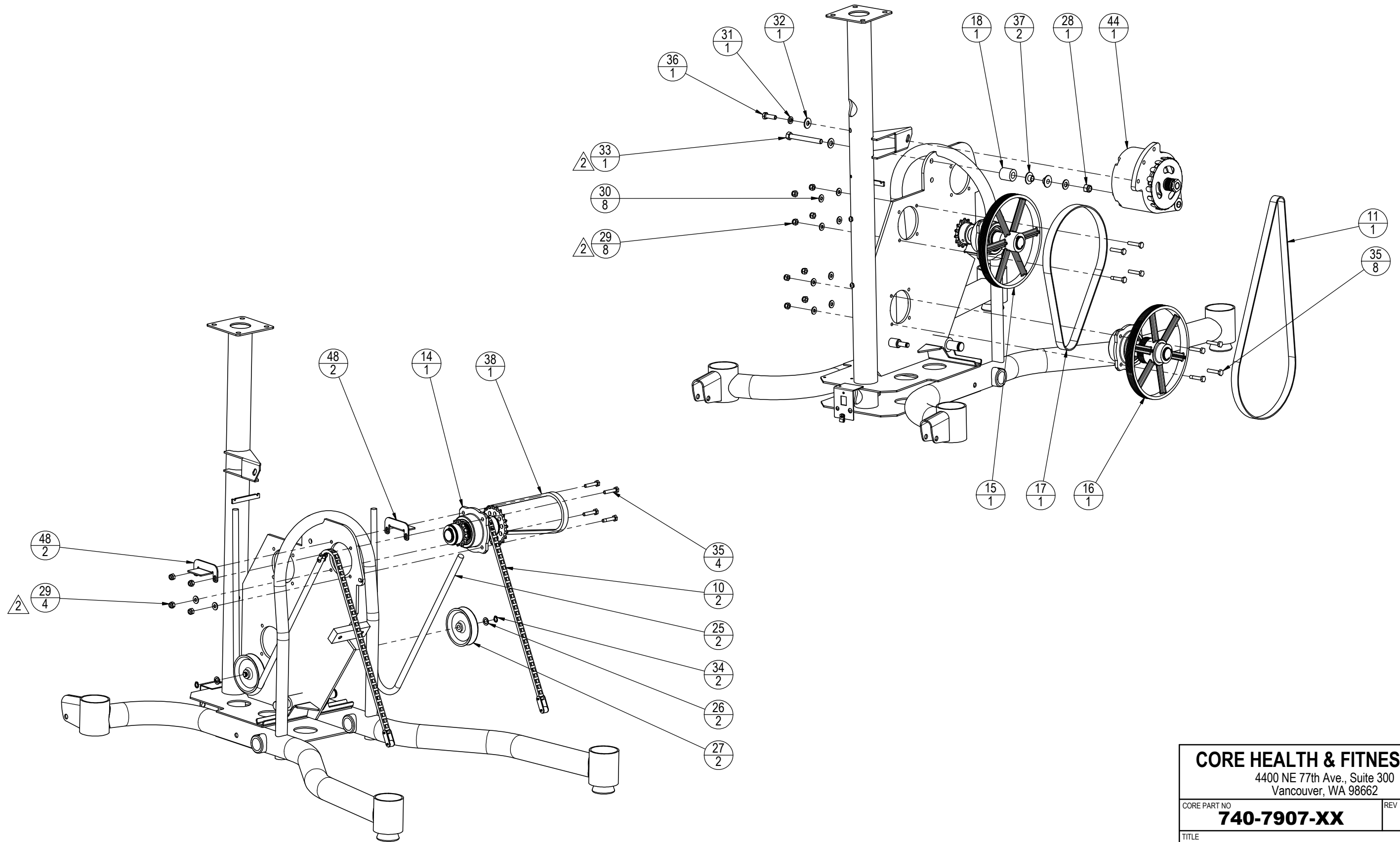
CORE PART NO	740-7907-XX	REV	C
--------------	--------------------	-----	----------

TITLE	BASE FRAME, STEPPER SC916		
-------	----------------------------------	--	--

SCALE: 1:6	SHEET 2 OF 3	SHEET SIZE: B
------------	--------------	---------------

9 8 7 6 5 4 3 2 1

NOTES:
2. TORQUE TO 113 IN-LB / 13 Nm



CORE HEALTH & FITNESS, LLC		
4400 NE 77th Ave., Suite 300 Vancouver, WA 98662		
CORE PART NO	740-7907-XX	REV C
TITLE BASE FRAME, STEPPER SC916		
SCALE: 1:8	SHEET 3 OF 3	SHEET SIZE: B

9 8 7 6 5 4 3 2 1