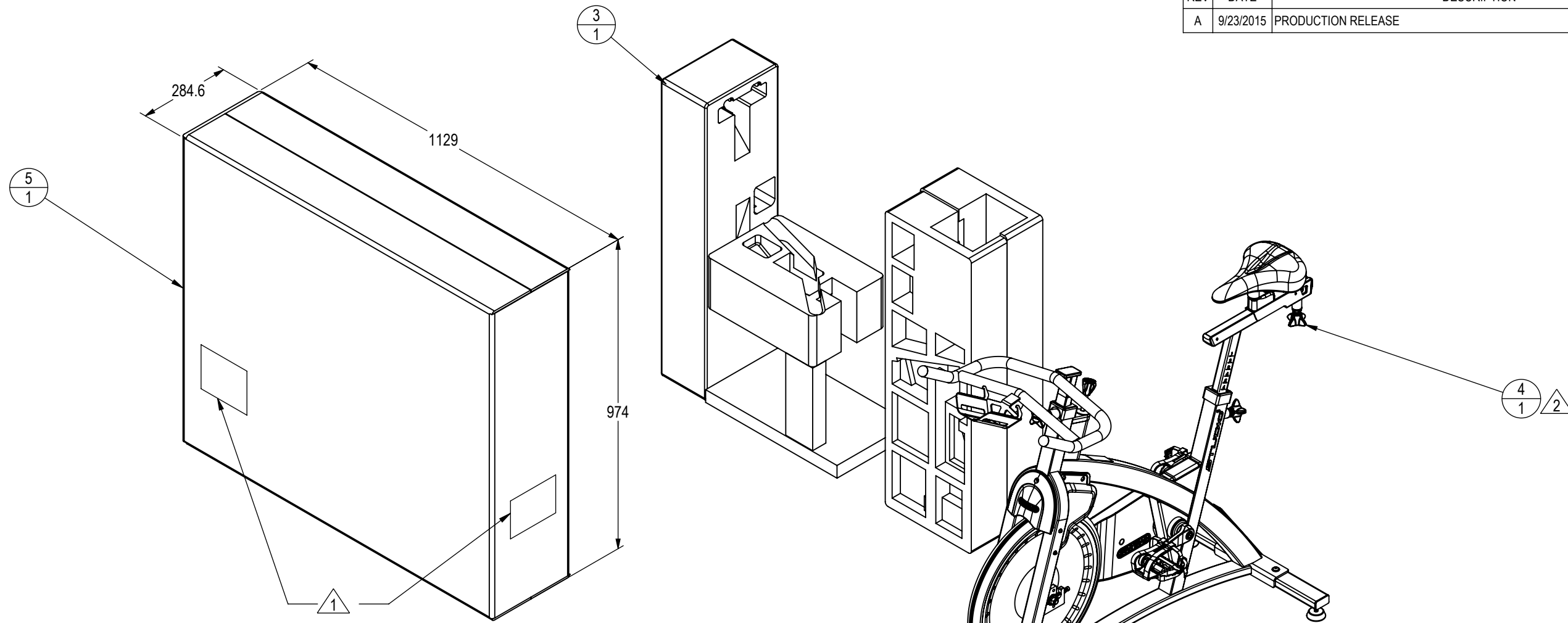


REVISION HISTORY				
REV	DATE	DESCRIPTION	ECO	BY
A	9/23/2015	PRODUCTION RELEASE	15084	SV



- NOTES:
- BOX LABEL INFORMATION (4 PLACES):
    - MODEL: STUDIO 3
    - SKU: 9-7270-MINTPO
    - SERIAL NUMBER: PER DOCUMENT 050-2125
    - COUNTRY OF ORIGIN TO BE PRINTED ON A PEEL LABEL
  - ASSEMBLY TO BE PLACED IN A PLASTIC BAG TO PREVENT CONTACT WITH FOAM INSERTS
  - DOCUMENTS TO BE PLACED IN PLASTIC BAG 050-2080
  - PRODUCT TO BE PRE-PACKED WITH DESICCANT TO PREVENT HUMIDITY
  - SHIPPING WEIGHT: 120 LB
  - COLOR DESIGNATOR PER -XX AS SPECIFIED IN SOP 620-8222

\*SEE NOTES

ITEM NO.	PART NUMBER	-XX*	DESCRIPTION	QTY.
1	620-8349		MANUAL, OWNERS, S357	1
2	620-8360		WARRANTY REGISTRATION CARD, S357	1
3	740-8182		STYROFOAM, PACKING, E-SP	1
4	740-8994-XX	-20	ASSY, BIKE, STUDIO 3	1
5	740-9035		CARTON, STUDIO BIKES	1
6	740-9044		TOOLCARD, BIKES	1

**DOCUMENT STATUS:**

NOTICE OF PROPRIETARY INFORMATION  
THIS DOCUMENT SHALL NOT BE REPRODUCED NOR SHALL THE INFORMATION CONTAINED HEREIN BE USED BY OR DISCLOSED TO OTHER EXCEPT AS EXPRESSLY AUTHORIZED BY CORE HEALTH & FITNESS, LLC.

CLASS OF WORK	UNLESS OTHERWISE SPECIFIED DIMS ARE IN mm. TOLERANCES FOR MEASURE OF LENGTH ARE:								MATERIAL SEE BOM
	0.5 to 3	>3 to 6	>6 to 30	>30 to 120	>120 to 400	>400 to 1000	>1000 to 2000	>2000	
FINE	±0.05	±0.05	±0.1	±0.15	±0.2	±0.3	±0.5	----	FINISH N/A
MEDIUM	±0.1	±0.1	±0.2	±0.3	±0.5	±0.8	±1.2	±2	
COARSE	±0.2	±0.3	±0.5	±0.8	±1.2	±2	±3	±4	
VERY COARSE	----	±0.5	±1	±1.5	±2.5	±4	±6	±8	

MATERIAL: SEE BOM  
FINISH: N/A  
VENDOR: N/A  
P/N: N/A

THIRD ANGLE PROJECTION

DRAWN	INITIAL SV	DATE 09/23/2015
CHECKED		
APPROVED		

U.O.M. MM

**CORE HEALTH & FITNESS, LLC**  
4400 NE 77th Ave., Suite 300  
Vancouver, WA 98662

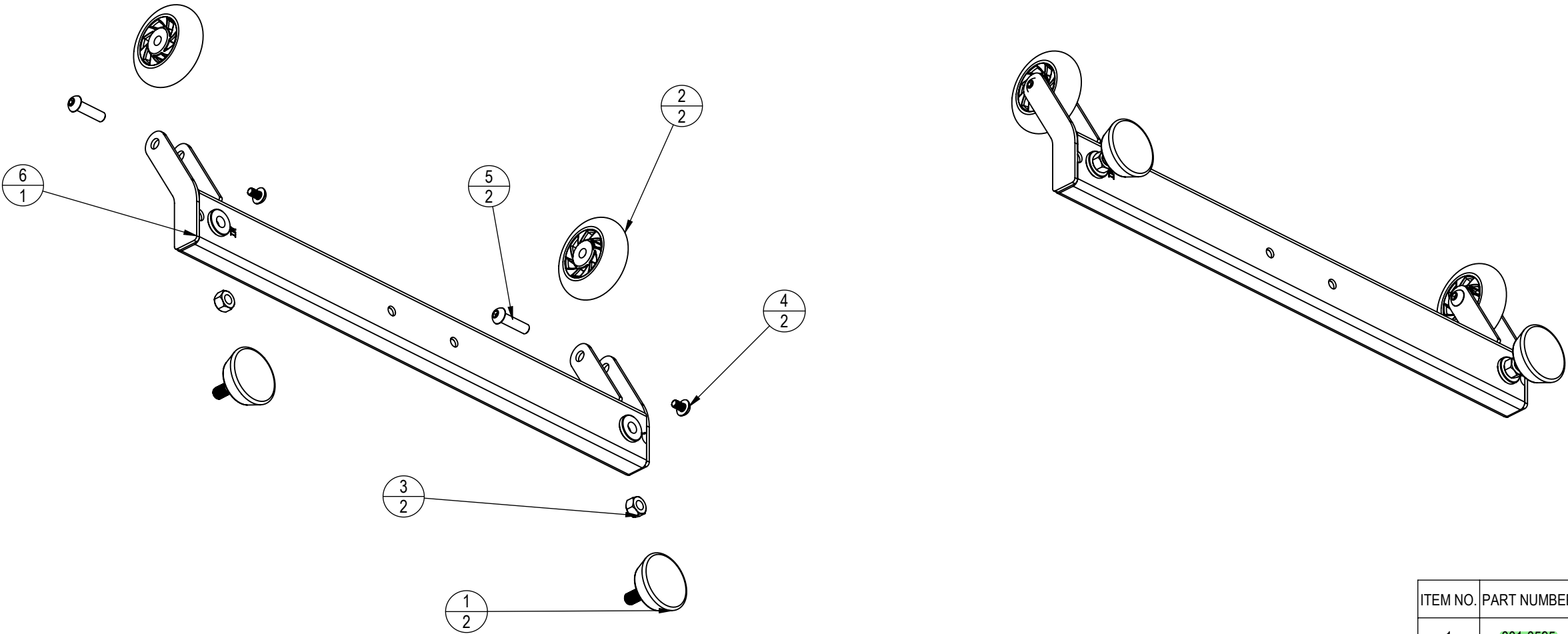
CORE PART NO: **9-7270-MINTPO** REV: **A**

TITLE: **STAR TRAC GROUP CYCLE STUDIO 3**

SCALE: 1:12 SHEET 1 OF 1 SHEET SIZE: B

REVISION HISTORY				
REV	DATE	DESCRIPTION	ECO	BY
A	10/13/2015	PRODUCTION RELEASE	15084	SV

NOTES:  
1. COLOR DESIGNATOR PER -XX AS SPECIFIED IN SOP 620-8222



ITEM NO.	PART NUMBER	DESCRIPTION	QTY.
1	001-0595	STABILIZER FOOT - 3/8 - 16	2
2	001-0688	ASSEMBLY, TRANSPORT WHEEL	2
3	110-3480	NUT, 3/8-16, SHN, CS, ZP, GR 5	2
4	740-7187	Screw, M6x1.0, 10mm, BHC, HE, SS	2
5	740-8007	Bolt, Sex, M6x1.0, Ø8mm x 30mm	2
6	740-8760-XX	WELDMENT, STABILIZER BAR, FRONT, BIKES	1

**DOCUMENT STATUS:**

NOTICE OF PROPRIETARY INFORMATION  
THIS DOCUMENT SHALL NOT BE REPRODUCED NOR SHALL THE INFORMATION CONTAINED HEREIN BE USED BY OR DISCLOSED TO OTHER EXCEPT AS EXPRESSLY AUTHORIZED BY CORE HEALTH & FITNESS, LLC.

CLASS OF WORK	UNLESS OTHERWISE SPECIFIED DIMS ARE IN mm. TOLERANCES FOR MEASURE OF LENGTH ARE:								ANGLES = ±2°
	0.5 to 3	>3 to 6	>6 to 30	>30 to 120	>120 to 400	>400 to 1000	>1000 to 2000	>2000	
FINE	±0.05	±0.05	±0.1	±0.15	±0.2	±0.3	±0.5	----	
MEDIUM	±0.1	±0.1	±0.2	±0.3	±0.5	±0.8	±1.2	±2	
COARSE	±0.2	±0.3	±0.5	±0.8	±1.2	±2	±3	±4	
VERY COARSE	----	±0.5	±1	±1.5	±2.5	±4	±6	±8	

MATERIAL  
SEE BOM

FINISH  
SEE NOTES

VENDOR: \_\_\_\_\_ P/N: \_\_\_\_\_

THIRD ANGLE PROJECTION		
	INITIAL	DATE
DRAWN	SV	09/28/2015
CHECKED		
APPROVED		
	U.O.M.	MM

**CORE HEALTH & FITNESS, LLC**  
4400 NE 77th Ave., Suite 300  
Vancouver, WA 98662

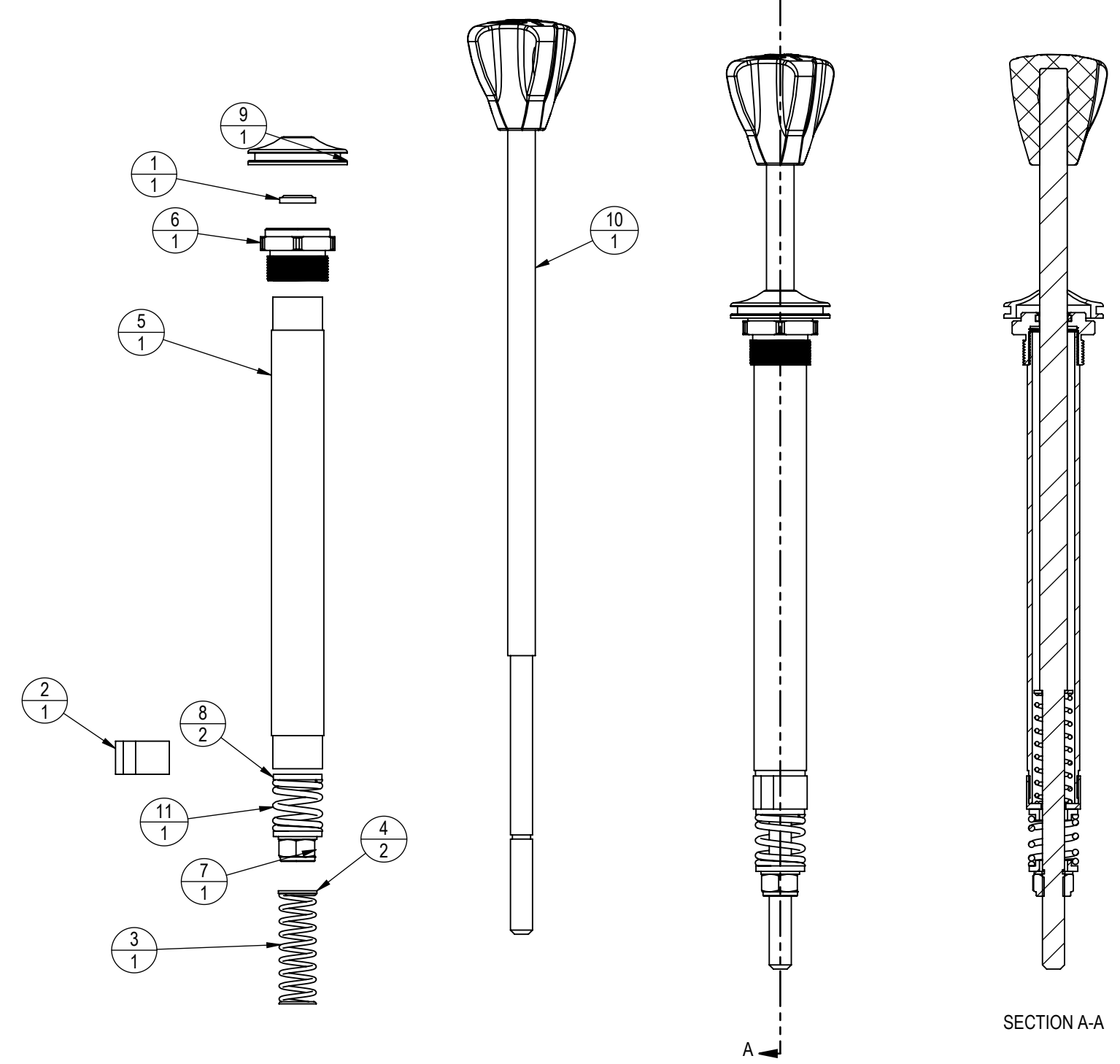
CORE PART NO: **740-8744-XX** REV: **A**

TITLE: **ASSY, STABILIZER, FRONT, BIKES**

SCALE: 1:4 SHEET 1 OF 1 SHEET SIZE: B

NOTES:

REVISION HISTORY				
REV	DATE	DESCRIPTION	ECO	BY
A	10/19/2015	PRODUCTION RELEASE	15084	SV



ITEM NO.	PART NUMBER	DESCRIPTION	QTY.
1	000-0134	GASKET, BRAKE KNOB	1
2	001-0530	CAP, BRAKE ADJUSTMENT HOUSING	1
3	001-0531	SPRING, BRAKE ADJ.	1
4	001-0537	WASHER, M8x14x1	2
5	001-0784	HOUSING, BRAKE ADJUSTMENT KNOB TUBE	1
6	001-0785	CAP, BRAKE ADJUSTMENT HOUSING TOP	1
7	001-0787	M8 P2.0-L7.5-2 STAINLESS NYLOCK NUT	1
8	140-3590	GUIDE, DIE SPRING	2
9	140-3591	GROMMET, BRAKE ROD	1
10	740-8943_004	ROD, BRAKE	1
11	740-9045	SPRING, OD: 18.1mm; ID: 13.7mm; TH: 18.6mm	1

**DOCUMENT STATUS:**

NOTICE OF PROPRIETARY INFORMATION  
 THIS DOCUMENT SHALL NOT BE REPRODUCED NOR SHALL THE INFORMATION CONTAINED HEREIN BE USED BY OR DISCLOSED TO OTHER EXCEPT AS EXPRESSLY AUTHORIZED BY CORE HEALTH & FITNESS, LLC.

CLASS OF WORK	UNLESS OTHERWISE SPECIFIED DIMS ARE IN mm. TOLERANCES FOR MEASURE OF LENGTH ARE:							ANGLES = ±2°		
	0.5 to 3	>3 to 6	>6 to 30	>30 to 120	>120 to 400	>400 to 1000	>1000 to 2000	>2000		
FINE	±0.05	±0.05	±0.1	±0.15	±0.2	±0.3	±0.5	----		
MEDIUM	±0.1	±0.1	±0.2	±0.3	±0.5	±0.8	±1.2	±2		
COARSE	±0.2	±0.3	±0.5	±0.8	±1.2	±2	±3	±4		
VERY COARSE	----	±0.5	±1	±1.5	±2.5	±4	±6	±8		

MATERIAL  
SEE BOM

FINISH  
SEE BOM

VENDOR: \_\_\_\_\_ P/N: \_\_\_\_\_

THIRD ANGLE PROJECTION		
DRAWN	INITIAL	DATE
CHECKED		
APPROVED		

**CORE HEALTH & FITNESS, LLC**  
 4400 NE 77th Ave., Suite 300  
 Vancouver, WA 98662

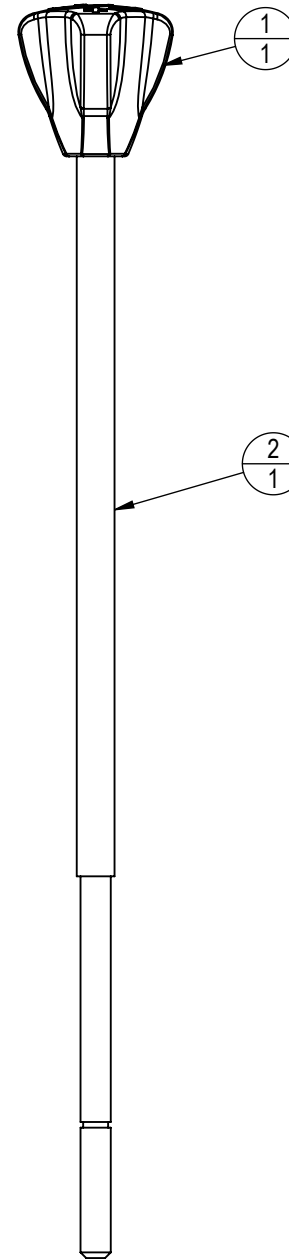
CORE PART NO: **740-8943** REV: **A**

TITLE: **ASSY, CARTRIDGE BRAKE, BIKES**

SCALE: 1:2 SHEET 1 OF 3 SHEET SIZE: B

NOTES: (UNLESS OTHERWISE SPECIFIED)

1. PART NUMBER: **740-8943\_004**
2. DESCRIPTION: ASSY, CARTRIDGE BRAKE, BIKES
3. PART SHALL BE FABRICATED BY OVERMOLD
4. COLOR: REFER TO 002-2347 DRAWING
5. REFER TO SOLID MODEL .SLDASM FOR ANY UNDEFINED DIMENSIONS, USE SAME REVISION MODEL AS LISTED IN DRAWING.

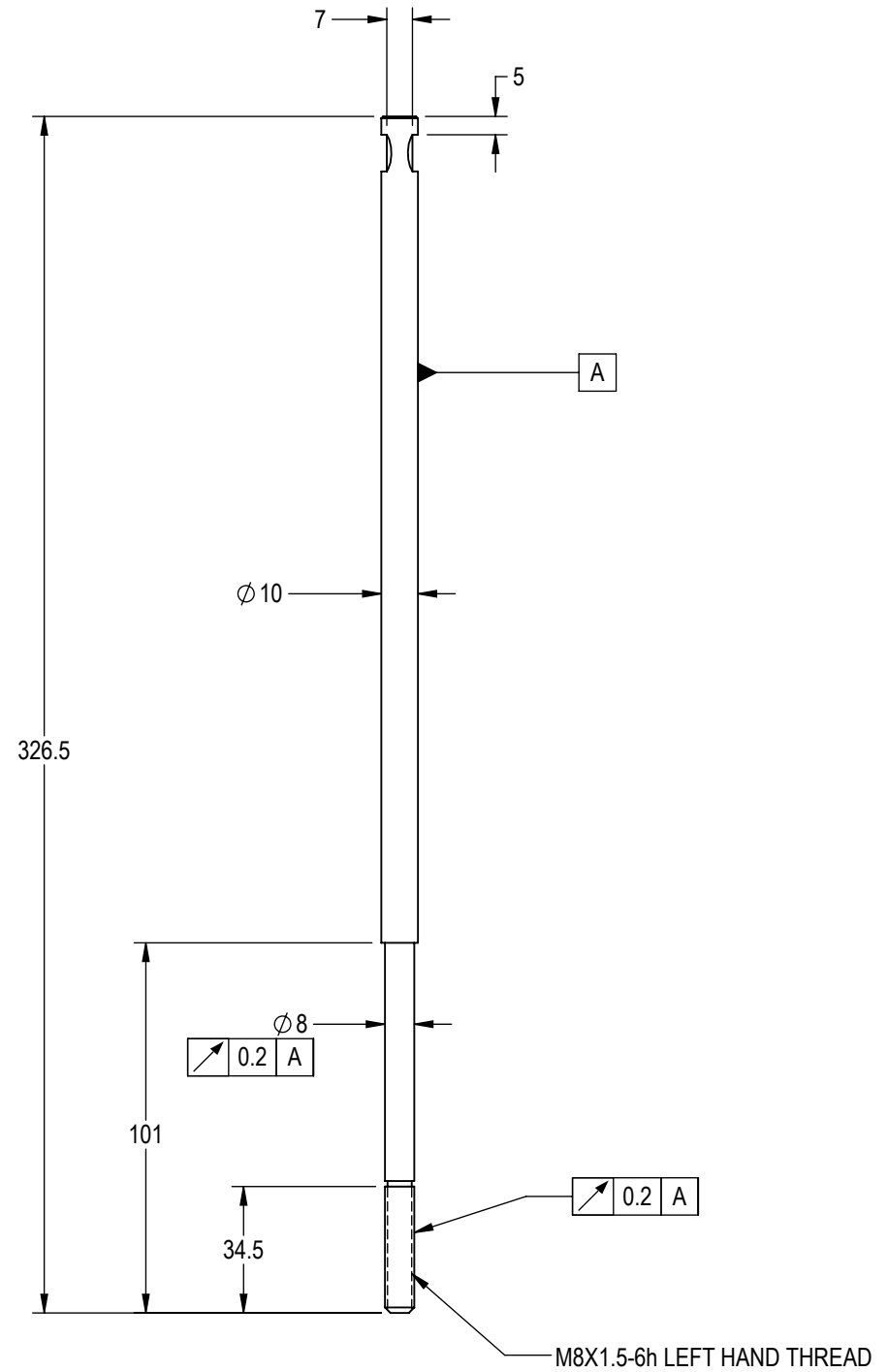


ITEM NO.	PART NUMBER	DESCRIPTION	QTY.
1	002-2347	BRAKE KNOB	1
2	<b>740-8943_006</b>	ROD, BRAKE, S5	1

<b>CORE HEALTH &amp; FITNESS, LLC</b> 4400 NE 77th Ave., Suite 300 Vancouver, WA 98662		
CORE PART NO	<b>740-8943</b>	REV <b>A</b>
TITLE		
SCALE: 1:2	SHEET 2 OF 3	SHEET SIZE: B

9 8 7 6 5 4 3 2 1

- NOTES:
1. PART NUMBER: **740-8943\_006**
  2. DESCRIPTION: ROD, CARTRIDGE BRAKE, BIKES
  3. MATERIAL SS 316
  4. FINISH: N/A
  5. REMOVE ALL SHARP EDGES AND BURRS 0.5mm MAX RADIUS OR CHAMFER



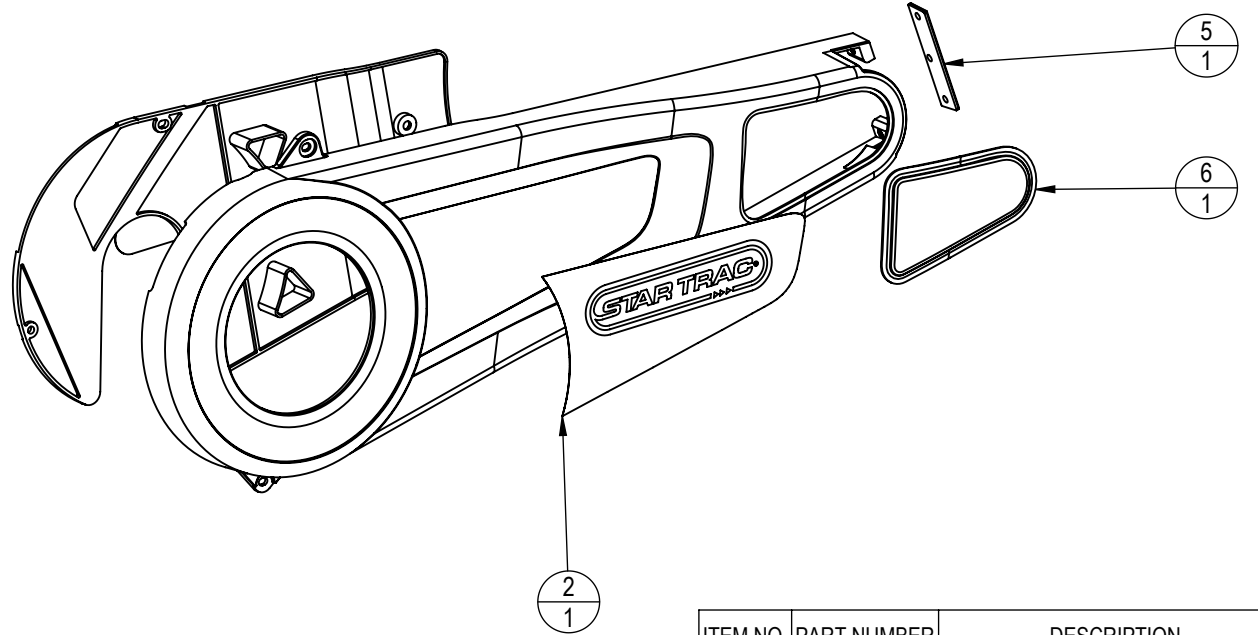
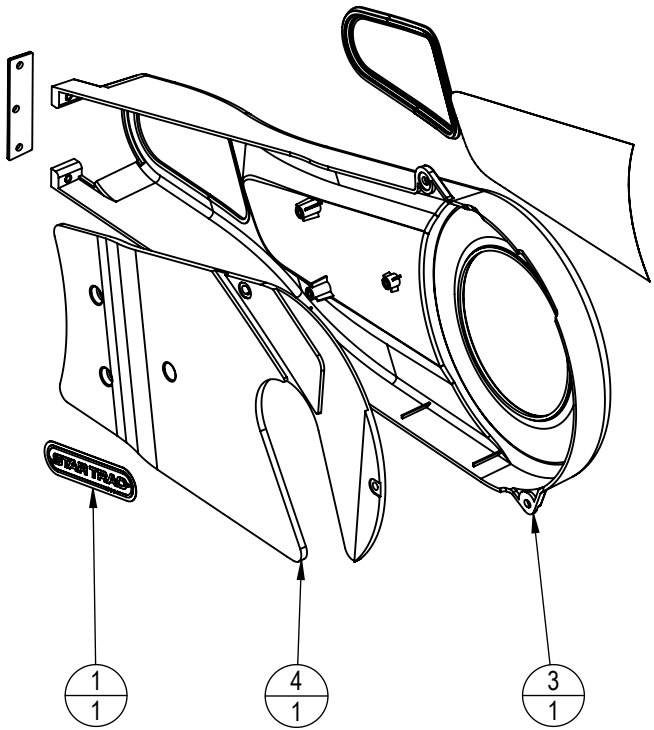
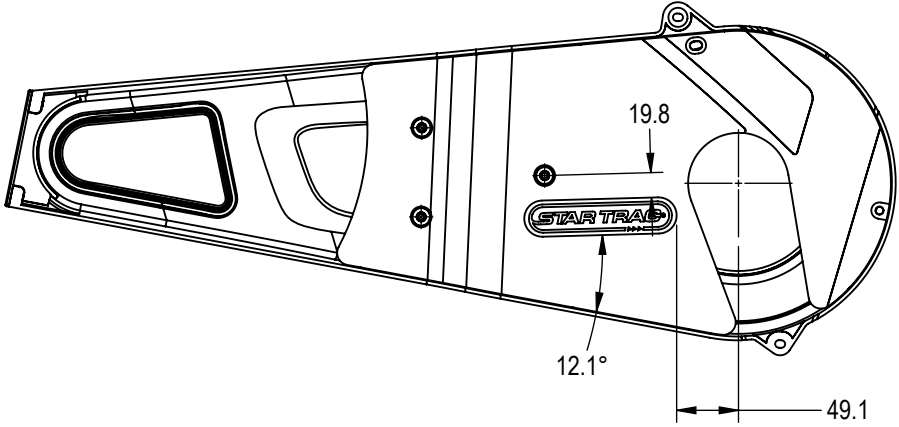
CORE HEALTH & FITNESS, LLC 4400 NE 77th Ave., Suite 300 Vancouver, WA 98662		
CORE PART NO	<b>740-8943</b>	REV <b>A</b>
TITLE		
SCALE: 1:2	SHEET 3 OF 3	SHEET SIZE: B

9 8 7 6 5 4 3 2 1

J  
I  
H  
G  
F  
E  
D  
C  
B  
A

J  
I  
H  
G  
F  
E  
D  
C  
B  
A

REVISION HISTORY				
REV	DATE	DESCRIPTION	ECO	BY
A	11/3/2015	PRODUCTION RELEASE	15084	SV



ITEM NO.	PART NUMBER	DESCRIPTION	QTY.
1	050-5440	LABEL, STAR TRAC, 121mm X 28.7mm	1
2	050-5453	DECAL, CHAINGUARD, S3	1
3	740-8984_001	CHAINGUARD, MAIN, S3	1
4	740-8990	CHAIN GUARD, INNER, S3	1
5	740-9037	CHAINGUARD, FRONT, BIKES	1
6	740-9038	CAP, HOLE, CHAINGUARD, BIKES	1

**DOCUMENT STATUS:**

NOTICE OF PROPRIETARY INFORMATION  
THIS DOCUMENT SHALL NOT BE REPRODUCED NOR SHALL THE INFORMATION CONTAINED HEREIN BE USED BY OR DISCLOSED TO OTHER EXCEPT AS EXPRESSLY AUTHORIZED BY CORE HEALTH & FITNESS, LLC.

CLASS OF WORK	UNLESS OTHERWISE SPECIFIED DIMS ARE IN mm. TOLERANCES FOR MEASURE OF LENGTH ARE:							ANGLES = ±2°
	0.5 to 3	>3 to 6	>6 to 30	>30 to 120	>120 to 400	>400 to 1000	>1000 to 2000	
FINE	±0.05	±0.05	±0.1	±0.15	±0.2	±0.3	±0.5	----
MEDIUM	±0.1	±0.1	±0.2	±0.3	±0.5	±0.8	±1.2	±2
COARSE	±0.2	±0.3	±0.5	±0.8	±1.2	±2	±3	±4
VERY COARSE	----	±0.5	±1	±1.5	±2.5	±4	±6	±8

MATERIAL  
SEE BOM

FINISH  
SEE BOM

VENDOR: \_\_\_\_\_ P/N: \_\_\_\_\_

THIRD ANGLE PROJECTION		
	INITIAL	DATE
DRAWN	SV	11/03/2015
CHECKED		
APPROVED		
	U.O.M.	MM

**CORE HEALTH & FITNESS, LLC**  
4400 NE 77th Ave., Suite 300  
Vancouver, WA 98662

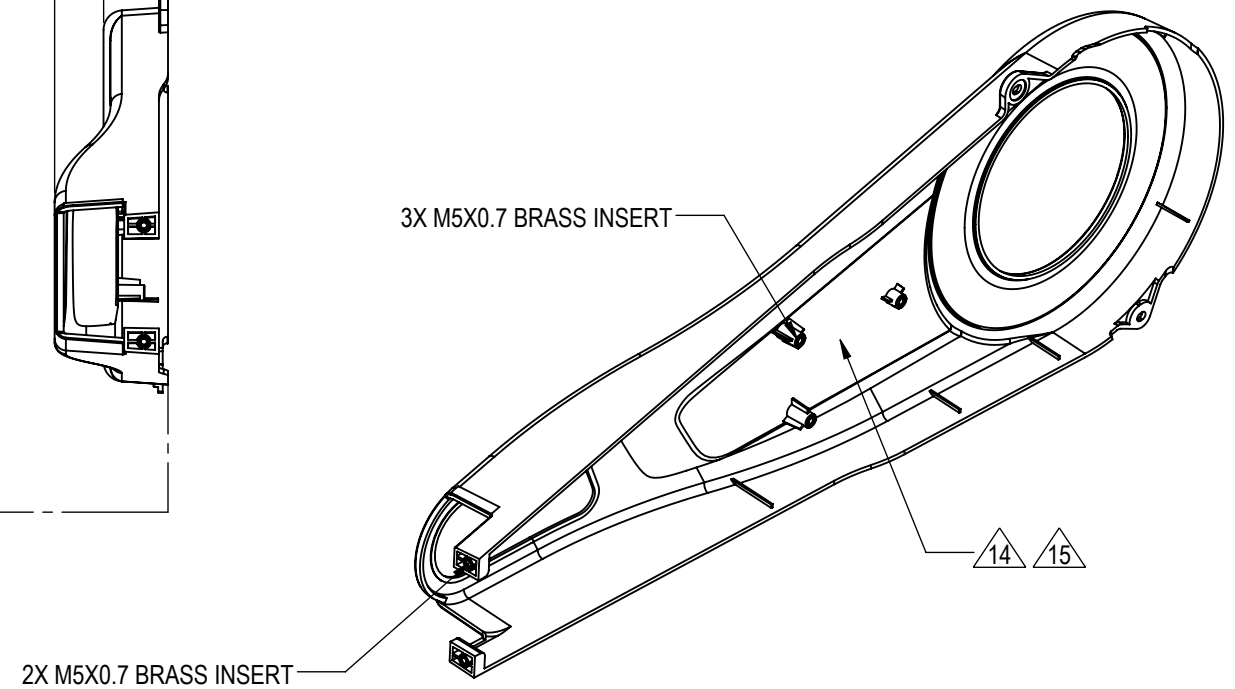
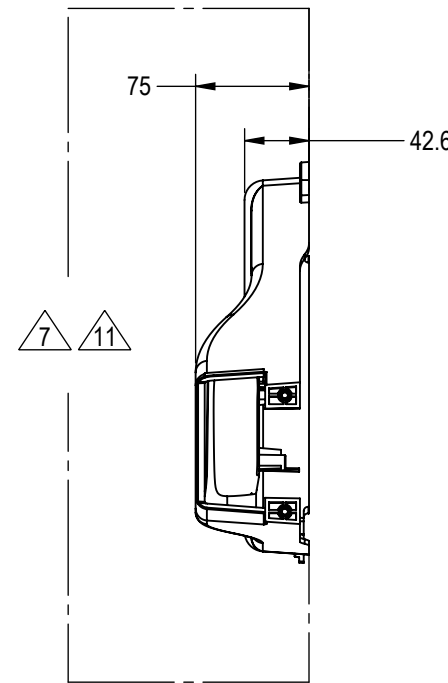
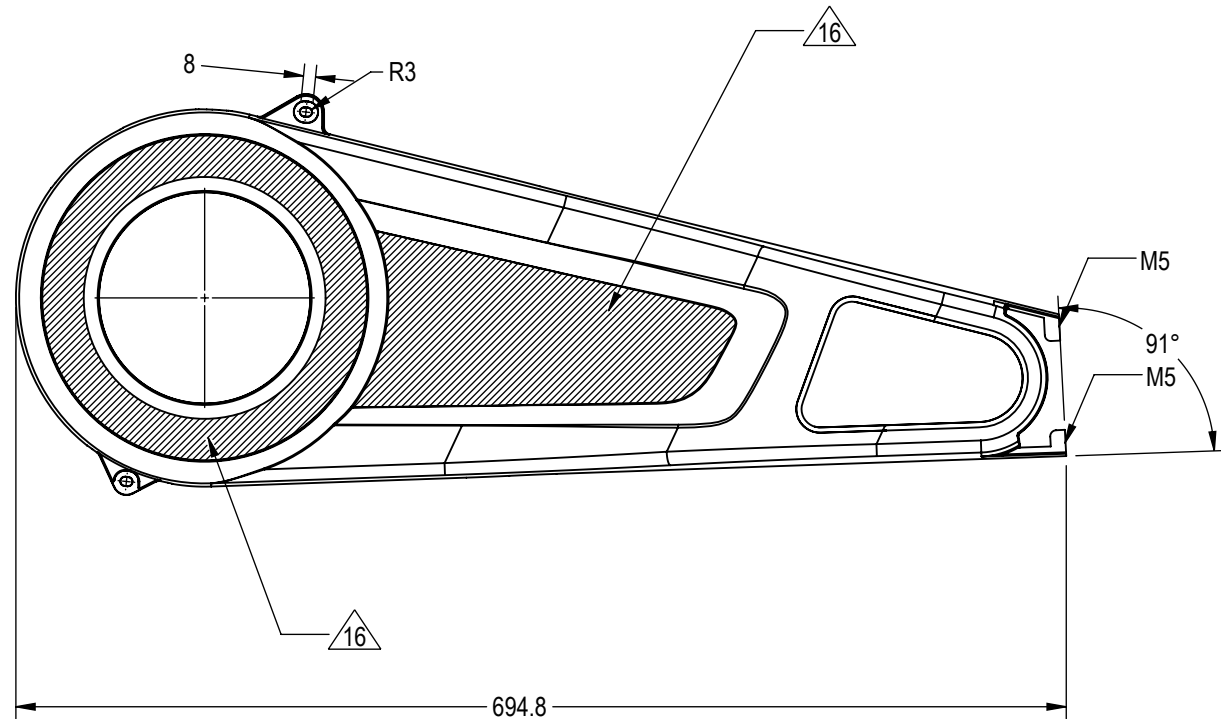
CORE PART NO: **740-8984-XX** REV: **A**

TITLE: **ASSY, CHAINGUARD, S3**

SCALE: 1:6 SHEET 1 OF 2 SHEET SIZE: B

NOTES: (UNLESS OTHERWISE SPECIFIED)

1. PART NUMBER: 740-8984\_001
2. DESCRIPTION: CHAINGUARD, MAIN, S3
3. PART SHALL BE FABRICATED BY INJECTION MOLDING.
  - A. MATERIAL: SEE NOTES
  - B. COLOR: -XX COLOR DESIGNATOR AS SPECIFIED IN SOP 620-8222
4. DRAWING IS FOR REFERENCE ONLY. REFER TO SOLIDWORKS FILE 740-8984\_001.SLDPRJT FOR ANY UNDEFINED DIMENSIONS OR GEOMETRY, USE SAME REVISION MODEL AS LISTED IN DRAWING.
5. DIMENSION LINES DRAWN TO RADII OR FILLETS DENOTE THEORETICAL INTERSECTION OF THE CORRESPONDING LINES
6. PART TO BE FREE OF OIL AND MOLD RELEASE RESIDUE
7. NOTED SURFACES TO BE FREE FROM BLEMISHES, GATE AND SINK MARKS, KNIT LINES, AND EJECTOR PIN MARKS.
8. EJECTOR PIN MARKS TO BE FLUSH WITH SURFACE TO 0.2mm BELOW SURFACE.
9. TYPICAL INTERNAL FILLET RADIUS: R 0.5 mm
10. TYPICAL DRAFT ANGLE TO BE 1°/ SIDE (NON-TEXTURED SURFACE).
11. NOTED SURFACES TO BE TEXTURED TO MATCH MOLD TECH MT-11020, OR ENGINEERING APPROVED EQUIVALENT.
12. TYPICAL PART THICKNESS IS 3mm
13. PARTS TO BE PACKAGED FOR SHIPMENT IN SUCH A MANNER AS TO PREVENT THEM FROM BECOMING DAMAGED DURING SHIPPING.
14. PART NUMBER AND CURRENT REVISION TO BE ETCHED INTO TOOL @ LOCATION SHOWN - 14PT LETTERING (3.5mm TALL).
15. RECYCLING SYMBOL MUST BE MOLDED INTO THE PLASTIC APPROXIMATELY WHERE SHOWN, SYMBOL SHOULD BE 5 - 7mm TALL, SYMBOL MUST BE CLEAR AND VISIBLE
16. NOTED SURFACES IN TO BE SMOOTH AS INDICATED BY HATCHED AREA

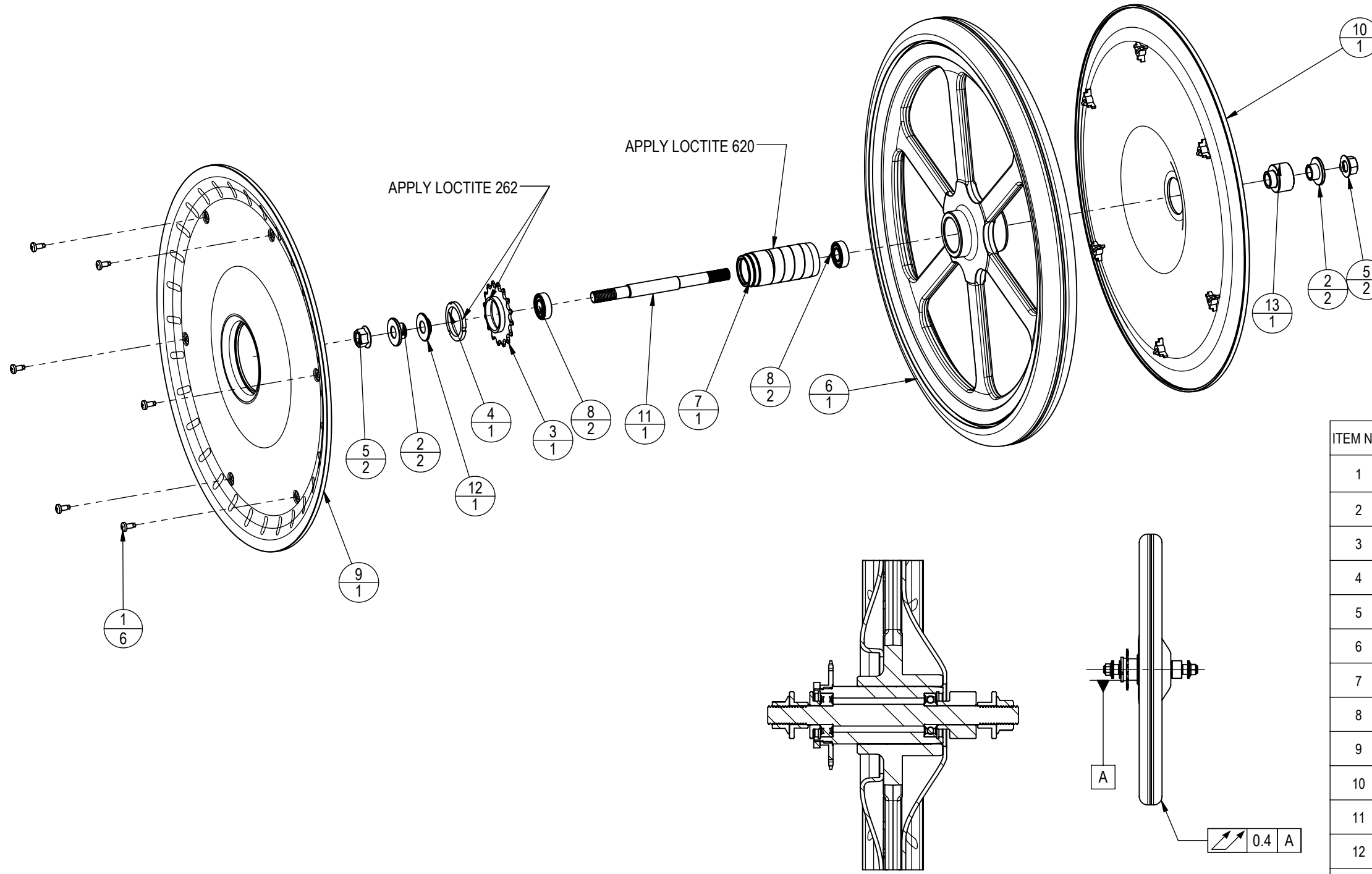


CORE HEALTH & FITNESS, LLC  
 4400 NE 77th Ave., Suite 300  
 Vancouver, WA 98662

CORE PART NO	740-8984-XX	REV	A
TITLE			
SCALE: 1:5	SHEET 2 OF 2	SHEET SIZE: B	

NOTES:  
1. COLOR DESIGNATOR PER -XX AS SPECIFIED IN SOP 620-8222

REVISION HISTORY				
REV	DATE	DESCRIPTION	ECO	BY
A	10/6/2015	PRODUCTION RELEASE	15084	SV



ITEM NO.	PART NUMBER	DESCRIPTION	QTY.
1	110-3683	SCREW, M4.8, 13mm, PHT, PH, CS, GR 10.9, BLK E-COAT	6
2	120-3381	SPACER, FLYWHEEL, FLANGE, BLK E-COAT, S5, S7	2
3	740-7013	SPROCKET, 1/8"x1/2", 16 TOOTH	1
4	740-7114	RETAINING NUT	1
5	740-7190	NUT, M12X1.25, FLANGE, HE, CS, BO	2
6	740-7578	FLYWHEEL, SPINNER	1
7	740-7579	HUB, FLYWHEEL	1
8	740-7580	BEARING, 6001-2RS	2
9	740-8958-XX	SHROUD, FLYWHEEL, RIGHT	1
10	740-8959-XX	SHROUD, FLYWHEEL, LEFT	1
11	740-9003	AXLE, FLYWHEEL, S3	1
12	740-9017	SPACER, FLYWHEEL, S3, R	1
13	740-9018	SPACER, FLYWHEEL, S3, L	1

**DOCUMENT STATUS:**

NOTICE OF PROPRIETARY INFORMATION  
THIS DOCUMENT SHALL NOT BE REPRODUCED NOR SHALL THE INFORMATION CONTAINED HEREIN BE USED BY OR DISCLOSED TO OTHER EXCEPT AS EXPRESSLY AUTHORIZED BY CORE HEALTH & FITNESS, LLC.

CLASS OF WORK	UNLESS OTHERWISE SPECIFIED DIMS ARE IN mm. TOLERANCES FOR MEASURE OF LENGTH ARE:							ANGLES = ±2°
	0.5 to 3	>3 to 6	>6 to 30	>30 to 120	>120 to 400	>400 to 1000	>1000 to 2000	
FINE	±0.05	±0.05	±0.1	±0.15	±0.2	±0.3	±0.5	----
MEDIUM	X ±0.1	±0.1	±0.2	±0.3	±0.5	±0.8	±1.2	±2
COARSE	±0.2	±0.3	±0.5	±0.8	±1.2	±2	±3	±4
VERY COARSE	----	±0.5	±1	±1.5	±2.5	±4	±6	±8

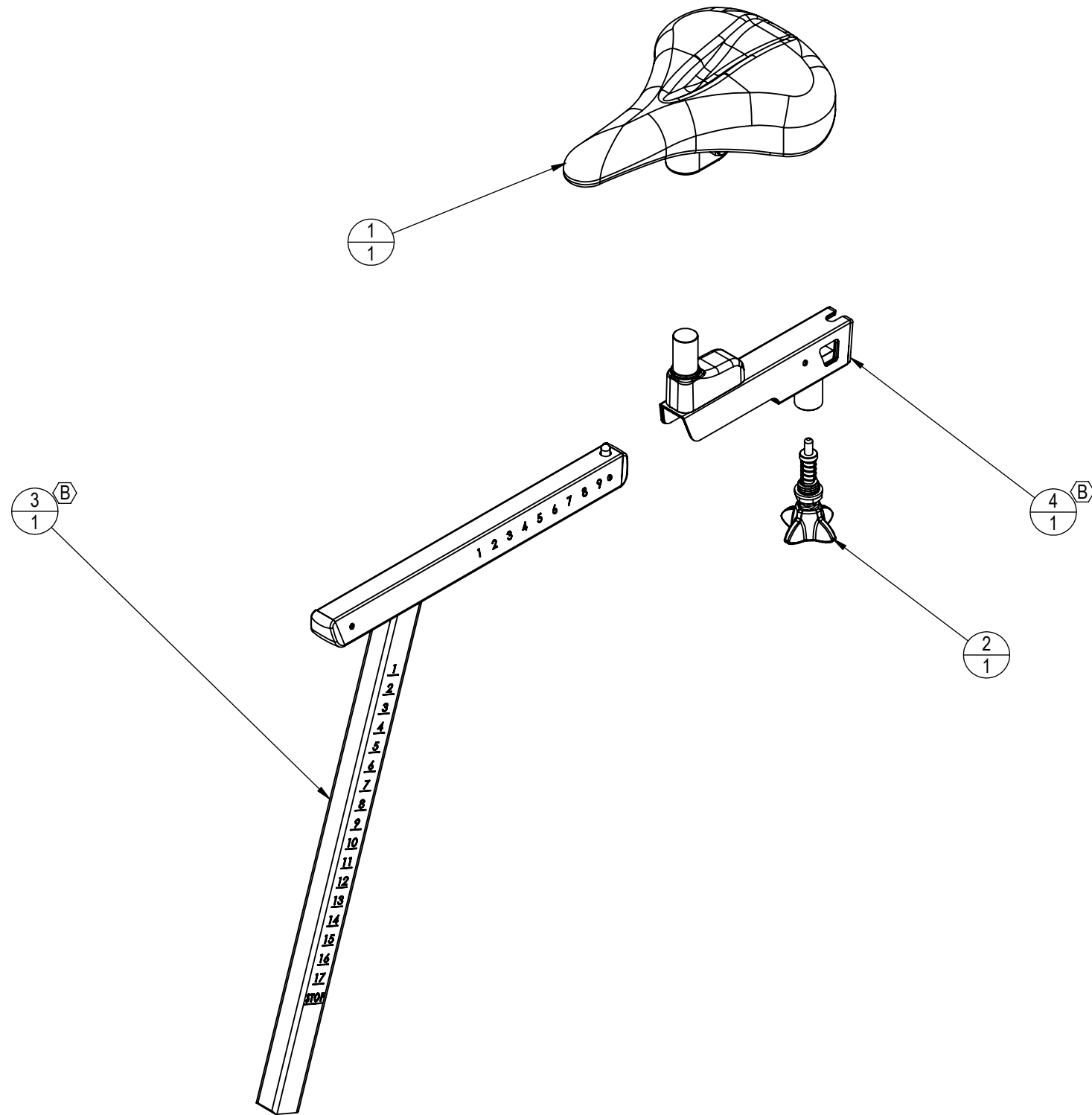
MATERIAL SEE BOM	THIRD ANGLE PROJECTION
FINISH N/A	
VENDOR: N/A	P/N:

CORE HEALTH & FITNESS, LLC 4400 NE 77th Ave., Suite 300 Vancouver, WA 98662	
CORE PART NO <b>740-8989-XX</b>	REV <b>A</b>
TITLE ASSY, FLYWHEEL, S3	SCALE: 1:5
SHEET 1 OF 1	SHEET SIZE: B

DRAWN	INITIAL SV	DATE 10/06/2015
CHECKED		
APPROVED		
U.O.M.	MM	



REVISION HISTORY				
REV	DATE	DESCRIPTION	ECO	BY
A	08/25/2015	PRODUCTION RELEASE	15084	SV
B	3/16/2016	REMOVE: 110-3665 (1), 740-8775 (1), 740-8993 (1), 740-8995 (1), 740-8996 (1), 740-8997 (1), 740-8998 (1), 740-8999 (1); ADD: 740-9090 (1), 740-9091 (1)	15269	MMG



ITEM NO.	PART NUMBER	DESCRIPTION	QTY.
1	740-9023	SEAT, ST BIKES	1
2	740-9029	POP PIN ASSEMBLY, S3	1
3	740-9090	ASSY, SEAT POST WITH ENDCAPS	1
4	740-9091	ASSY, SEAT SLIDER WITH SLEEVES	1

**DOCUMENT STATUS:**

NOTICE OF PROPRIETARY INFORMATION  
THIS DOCUMENT SHALL NOT BE REPRODUCED NOR SHALL THE INFORMATION CONTAINED HEREIN BE USED BY OR DISCLOSED TO OTHER EXCEPT AS EXPRESSLY AUTHORIZED BY CORE HEALTH & FITNESS, LLC.

CLASS OF WORK	UNLESS OTHERWISE SPECIFIED DIMS ARE IN mm. TOLERANCES FOR MEASURE OF LENGTH ARE:								ANGLES = ±2°
	0.5 to 3	> 3 to 6	> 6 to 30	> 30 to 120	> 120 to 400	> 400 to 1000	> 1000 to 2000	> 2000	
FINE	±0.05	±0.05	±0.1	±0.15	±0.2	±0.3	±0.5	----	
MEDIUM X	±0.1	±0.1	±0.2	±0.3	±0.5	±0.8	±1.2	±2	
COARSE	±0.2	±0.3	±0.5	±0.8	±1.2	±2	±3	±4	
VERY COARSE	----	±0.5	±1	±1.5	±2.5	±4	±6	±8	

MATERIAL SEE BOM

FINISH SEE BOM

VENDOR:

P/N:

THIRD ANGLE PROJECTION



DRAWN	INITIAL SV	DATE 09/29/2015
CHECKED		
APPROVED		

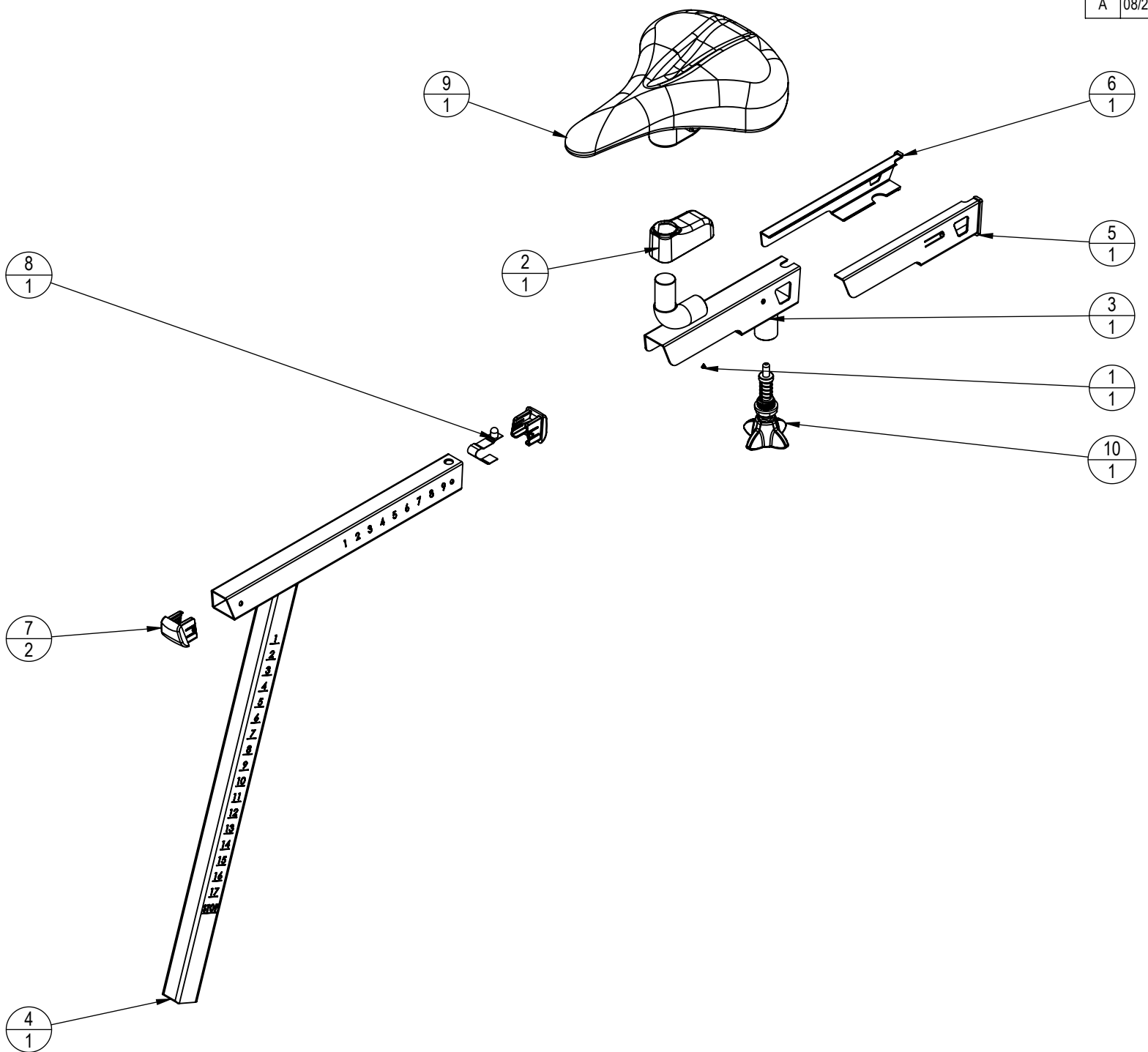
**CORE HEALTH & FITNESS, LLC**  
4400 NE 77th Ave., Suite 300  
Vancouver, WA 98662

CORE PART NO **740-8992** REV **B**

TITLE **ASSY, SEAT POST W SEAT, S3**

SCALE: 1:5 | SHEET 1 OF 1 | SHEET SIZE: B

REVISION HISTORY				
REV	DATE	DESCRIPTION	ECO	BY
A	08/25/2015	PRODUCTION RELEASE	15084	SV



ITEM NO.	PART NUMBER	DESCRIPTION	QTY.
1	110-3665	SCREW, M2.2, L=5mm, FH, PH, SS	1
2	740-8775	COVER, SEAT POST	1
3	740-8993	ASSY, SEAT SLIDER, BIKES	1
4	740-8995	ASSY, SEATPOST, S3	1
5	740-8996	SLEEVE, FORE/AFT, LEFT	1
6	740-8997	SLEEVE, FORE/AFT, RIGHT	1
7	740-8998	PLUG, SEAT SLIDER, S3	2
8	740-8999	CLIP, SEAT POST, S3	1
9	740-9023	SEAT, ST BIKES	1
10	740-9029	POP PIN ASSEMBLY, S3	1

**DOCUMENT STATUS:**

NOTICE OF PROPRIETARY INFORMATION  
THIS DOCUMENT SHALL NOT BE REPRODUCED NOR SHALL THE INFORMATION CONTAINED HEREIN BE USED BY OR DISCLOSED TO OTHER EXCEPT AS EXPRESSLY AUTHORIZED BY CORE HEALTH & FITNESS, LLC.

CLASS OF WORK	UNLESS OTHERWISE SPECIFIED DIMS ARE IN mm. TOLERANCES FOR MEASURE OF LENGTH ARE:							ANGLES = ±2°		
	0.5 to 3	>3 to 6	>6 to 30	>30 to 120	>120 to 400	>400 to 1000	>1000 to 2000	>2000		
FINE	±0.05	±0.05	±0.1	±0.15	±0.2	±0.3	±0.5	----		
MEDIUM	±0.1	±0.1	±0.2	±0.3	±0.5	±0.8	±1.2	±2		
COARSE	±0.2	±0.3	±0.5	±0.8	±1.2	±2	±3	±4		
VERY COARSE	----	±0.5	±1	±1.5	±2.5	±4	±6	±8		

MATERIAL  
SEE BOM

FINISH  
SEE BOM

VENDOR: \_\_\_\_\_ P/N: \_\_\_\_\_

THIRD ANGLE PROJECTION		
DRAWN	INITIAL SV	DATE 09/29/2015
CHECKED		
APPROVED		
	U.O.M.	MM

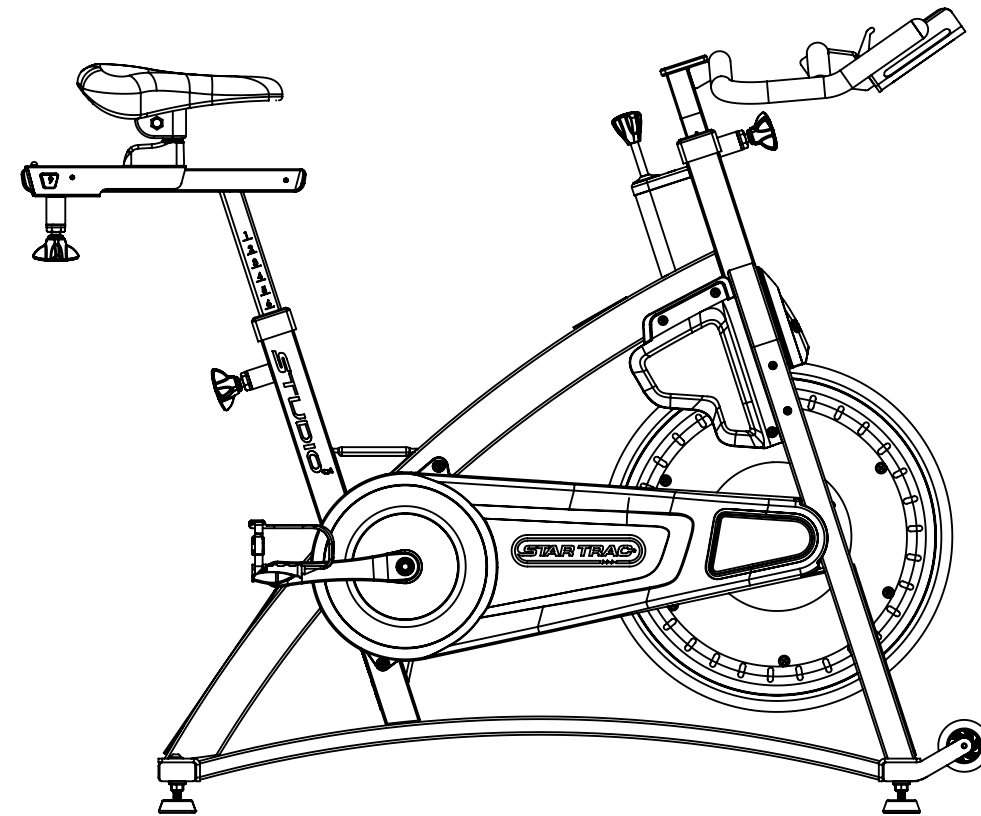
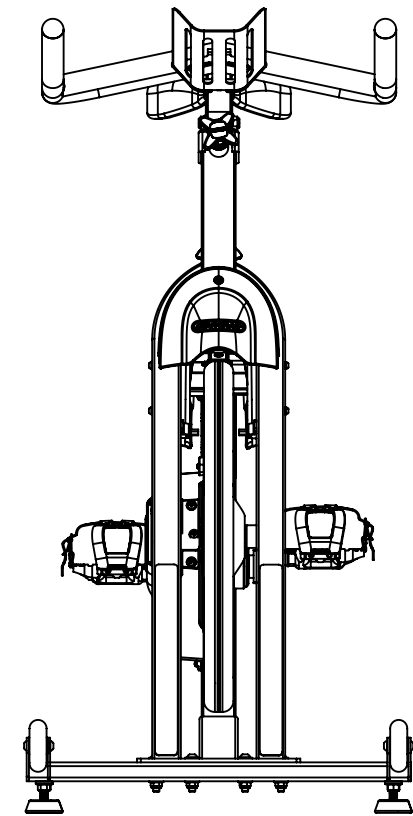
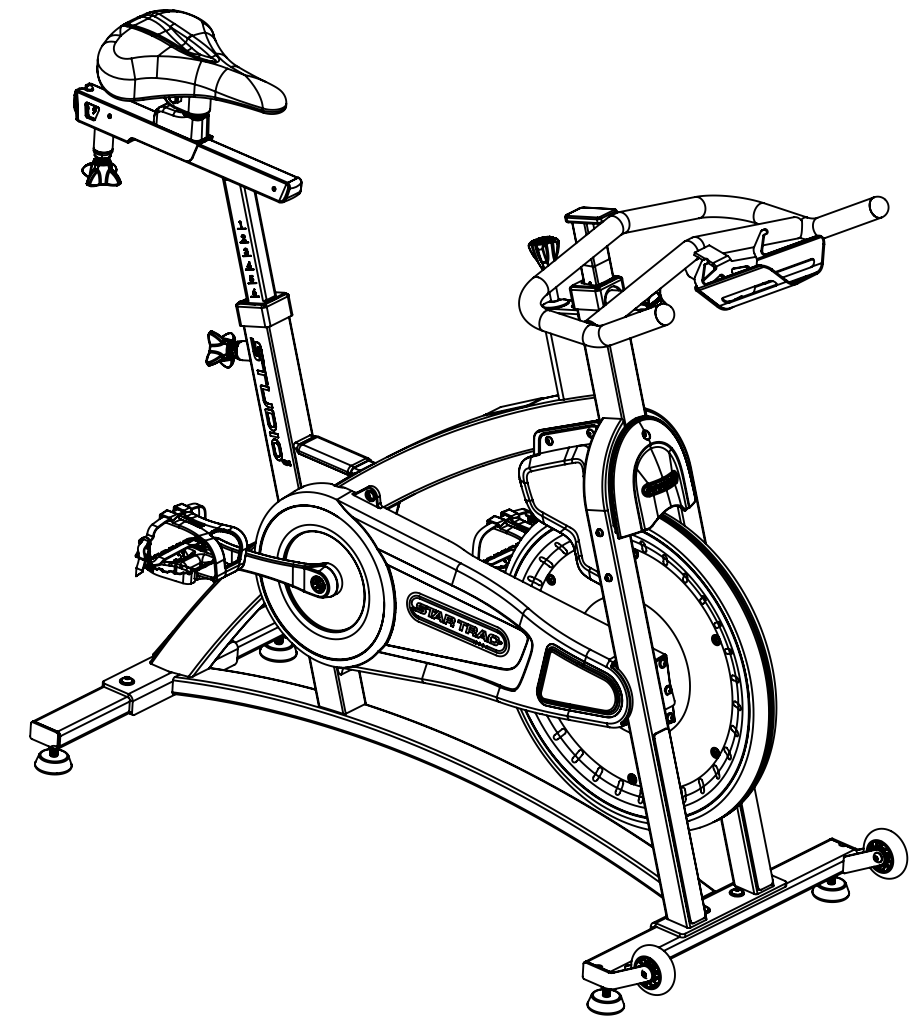
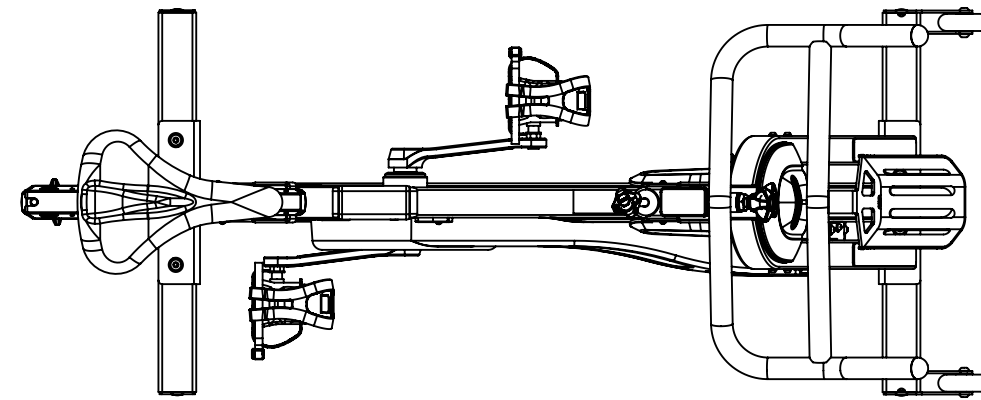
**CORE HEALTH & FITNESS, LLC**  
4400 NE 77th Ave., Suite 300  
Vancouver, WA 98662

CORE PART NO: **740-8992** REV: **A**

TITLE: **ASSY, SEAT POST W SEAT, S3**

SCALE: 1:6 SHEET 1 OF 1 SHEET SIZE: B

REVISION HISTORY				
REV	DATE	DESCRIPTION	ECO	BY
A	9/28/2015	PRODUCTION RELEASE	15084	SV



**DOCUMENT STATUS:**

NOTICE OF PROPRIETARY INFORMATION  
 THIS DOCUMENT SHALL NOT BE REPRODUCED NOR SHALL THE INFORMATION CONTAINED HEREIN BE USED BY OR DISCLOSED TO OTHER EXCEPT AS EXPRESSLY AUTHORIZED BY CORE HEALTH & FITNESS, LLC.

CLASS OF WORK	UNLESS OTHERWISE SPECIFIED DIMS ARE IN mm. TOLERANCES FOR MEASURE OF LENGTH ARE:								ANGLES = ±2°
	0.5 to 3	>3 to 6	>6 to 30	>30 to 120	>120 to 400	>400 to 1000	>1000 to 2000	>2000	
FINE	±0.05	±0.05	±0.1	±0.15	±0.2	±0.3	±0.5	----	
MEDIUM X	±0.1	±0.1	±0.2	±0.3	±0.5	±0.8	±1.2	±2	
COARSE	±0.2	±0.3	±0.5	±0.8	±1.2	±2	±3	±4	
VERY COARSE	----	±0.5	±1	±1.5	±2.5	±4	±6	±8	

MATERIAL SEE BOM	THIRD ANGLE PROJECTION 	
FINISH SEE BOM	DRAWN	DATE
VENDOR:	INITIAL	DATE
P/N:	U.O.M.	MM

CORE HEALTH & FITNESS, LLC 4400 NE 77th Ave., Suite 300 Vancouver, WA 98662		
CORE PART NO	REV	
<b>740-8994-XX</b>	<b>A</b>	
TITLE ASSY, BIKE, STUDIO 3		
SCALE: 1:10	SHEET 1 OF 6	SHEET SIZE: B

ITEM NO.	PART NUMBER	DESCRIPTION	QTY.
1	002-2780	LEFT CRANK ARM, ISIS	1
2	003-1508	ISIS BB, 68 X 113mm	3
3	003-7555-XX	STABILIZER, REAR, BIKES	1
4	003-7599	LEFT PEDAL 9/16" IC'S CLASSIC/PRO	1
5	003-7605	RIGHT PEDAL 9/16" IC'S PRO/CLASSIC	1
6	015-0007	CHAIN, 1/2 X 1/8", 112L, KMC	1
7	015-0009	RIGHT CRANK W/SPROCKET, ISIS M12, 1/8	1
8	050-1955	LABEL, WARNING, COMM, SPINNERS	1
9	050-5457	Label, S/N, Non-Powered, Primary, Core H&F	1
10	050-5458	LABEL, STUDIO 3, 4601mm X 689mm	2
11	110-3660	SCREW, M5X0.8, L: 35mm, FHCS, SS	1
12	110-3672	NUT, M8 X 1.25, NYLOC, BLK E-COAT	4
13	110-3673	NUT, M6X1, JAM, BLK E-COAT	2
14	110-3686	SCW-RHP M5x0.8x12 SS	18
15	110-3687	SCREW, M8X1.25, 45mm, BHC, CS, ECB	4
16	110-3688	SCREW, M5X0.8, 16mm, BHC, HE, CS, ECB	6
17	110-3689	SCREW, M6X1.0, 50mm, SHC, CS, ECB	2
18	120-3384	WASHER, M6, SPLIT LOCK, BLK E-COAT	2
19	120-3389	WASHER M5, CS, ECB	11
20	120-3390	Washer, M8, Ø8.5xØ19x1.2mm, ECB	10
21	140-3492	RIVET, DRIVE, BARREL, Ø.25" X .040"-.462"	2
22	140-3599	GASKET, SIDE FENDER, RT, S3	1
23	140-3600	GASKET, SIDE FENDER, LT, S3	1
24	140-3601	GASKET, FRONT FENDER, S3	1
25	740-4588	Screw, M8x1.25, 16mm, BHC, HK, SS	2
26	740-7303	Nut, Rivet, Hex, M5X0.8	17
27	740-8744-XX	ASSY, STABILIZER, FRONT, BIKES	1
28	740-8746	ASSY, H BAR SINGLE BOTTLE, IC PRO 20	1
29	740-8749	SLEEVE, HBAR SEATPOST, IC PRO	2
30	740-8764	STEPOVER PAD, IC PRO 20	1
31	740-8772	STEP PAD, IC PRO 20	3

ITEM NO.	PART NUMBER	DESCRIPTION	QTY.
32	740-8943	ASSY, CARTRIDGE BRAKE, BIKES	1
33	740-8984-XX	ASSY, CHAINGUARD, S3	1
34	740-8985-XX	FENDER, FRONT, S3	1
35	740-8986	CAP, UPPER, S3	1
36	740-8987-XX	FENDER, SIDE, COVER, BRAKE, RT, S3	1
37	740-8988-XX	FENDER, SIDE, COVER, BRAKE, LT, S3	1
38	740-8989-XX	ASSY, FLYWHEEL, S3	1
39	740-8991-XX	FRAME, WELDMENT, S3	1
40	740-8992	ASSY, SEAT POST W SEAT, S3	1
41	740-9000	ASSY, BRAKE, S3	1
42	740-9001	FINGER GUARD, 16T SPROCKET, S3	1
43	740-9029	POP PIN ASSEMBLY, S3	2
44	740-9036	NUTPLATE, ST BIKES	1
45	80044	CRANK BOLT 8MM HEX FOR ISIS	2

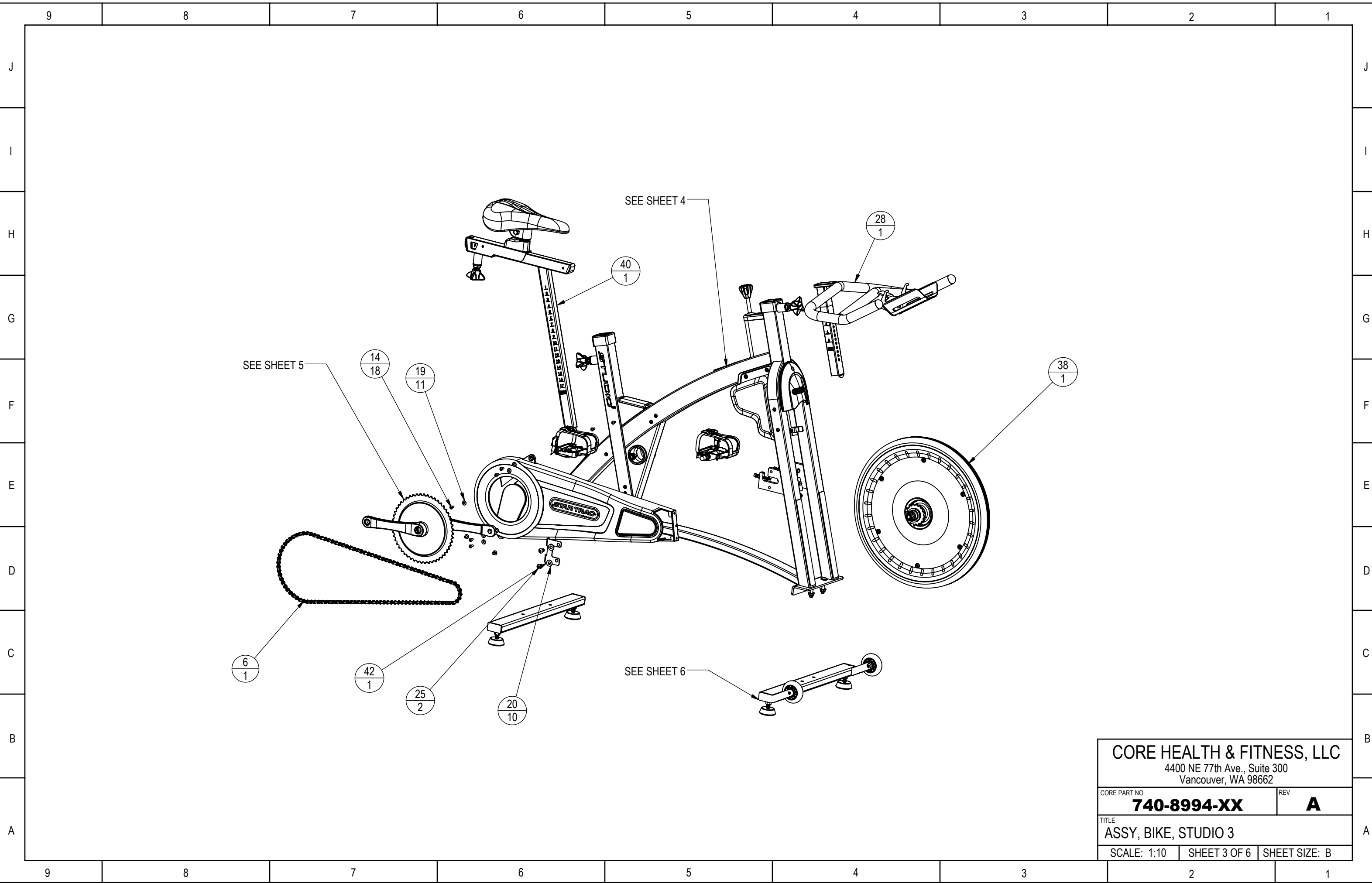


**CORE HEALTH & FITNESS, LLC**  
 4400 NE 77th Ave., Suite 300  
 Vancouver, WA 98662

CORE PART NO **740-8994-XX** REV **A**

TITLE **ASSY, BIKE, STUDIO 3**

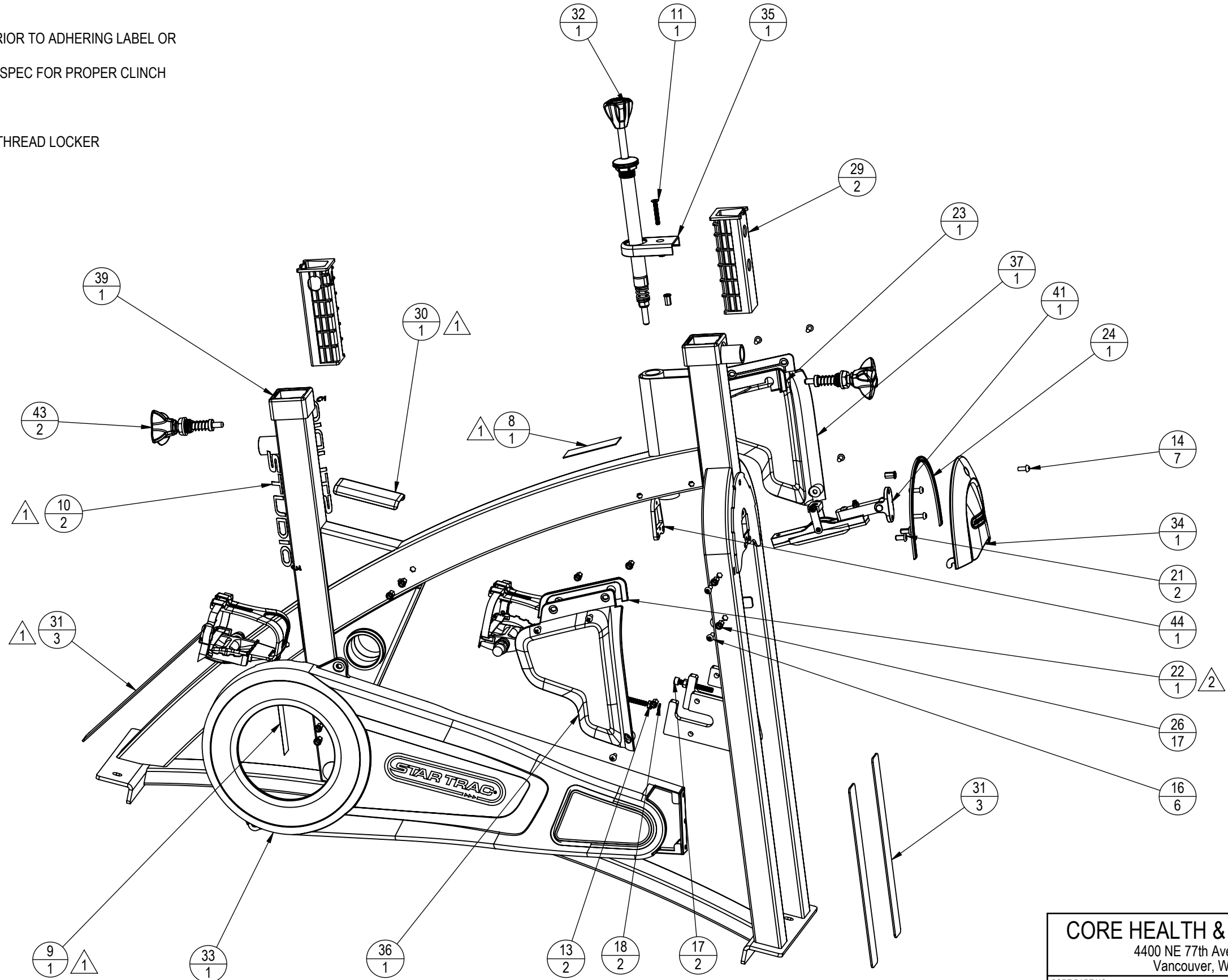
SCALE: 1:50 SHEET 2 OF 6 SHEET SIZE: B



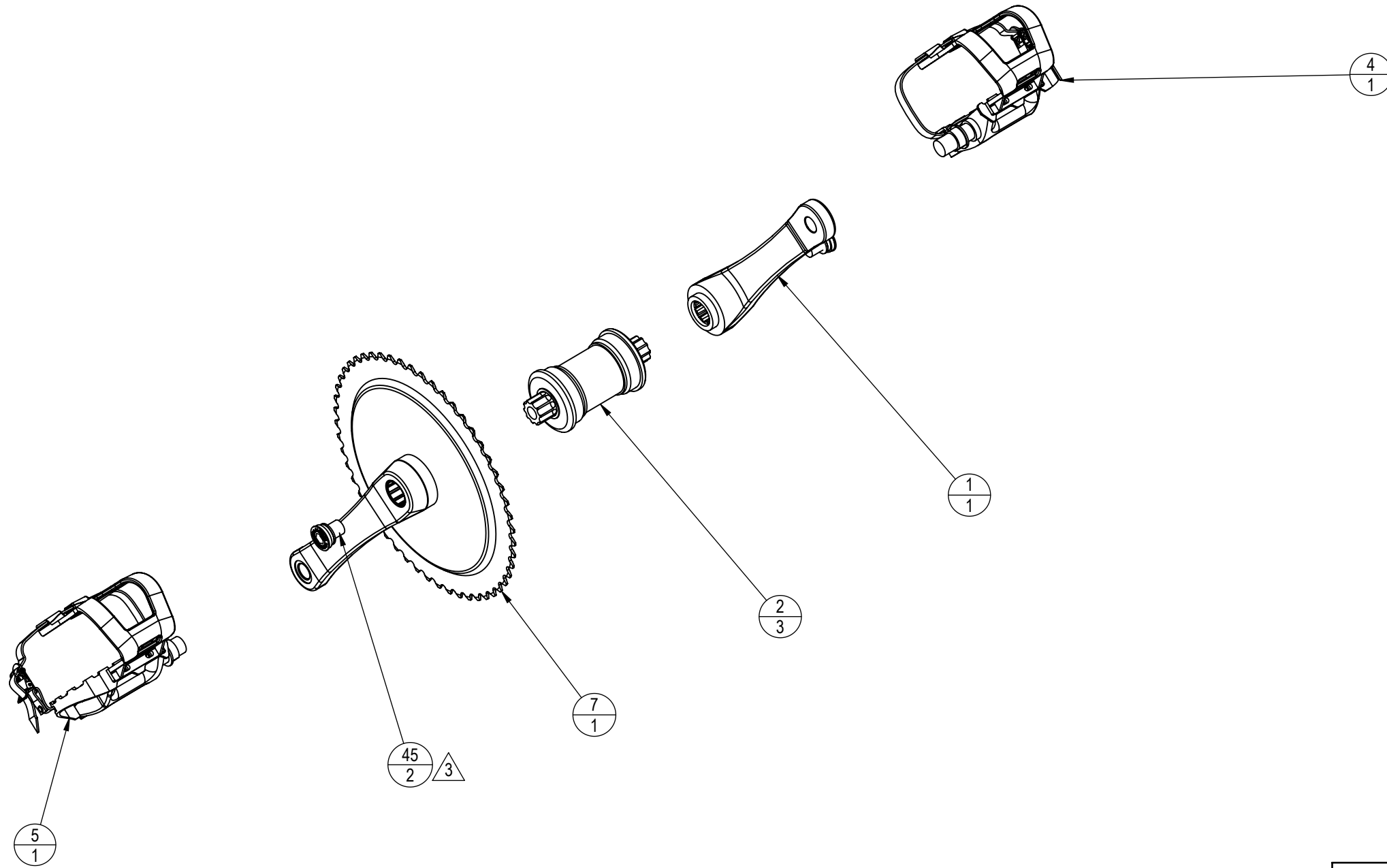
<b>CORE HEALTH &amp; FITNESS, LLC</b> 4400 NE 77th Ave., Suite 300 Vancouver, WA 98662		
CORE PART NO	<b>740-8994-XX</b>	REV <b>A</b>
TITLE ASSY, BIKE, STUDIO 3		
SCALE: 1:10	SHEET 3 OF 6	SHEET SIZE: B

NOTES:

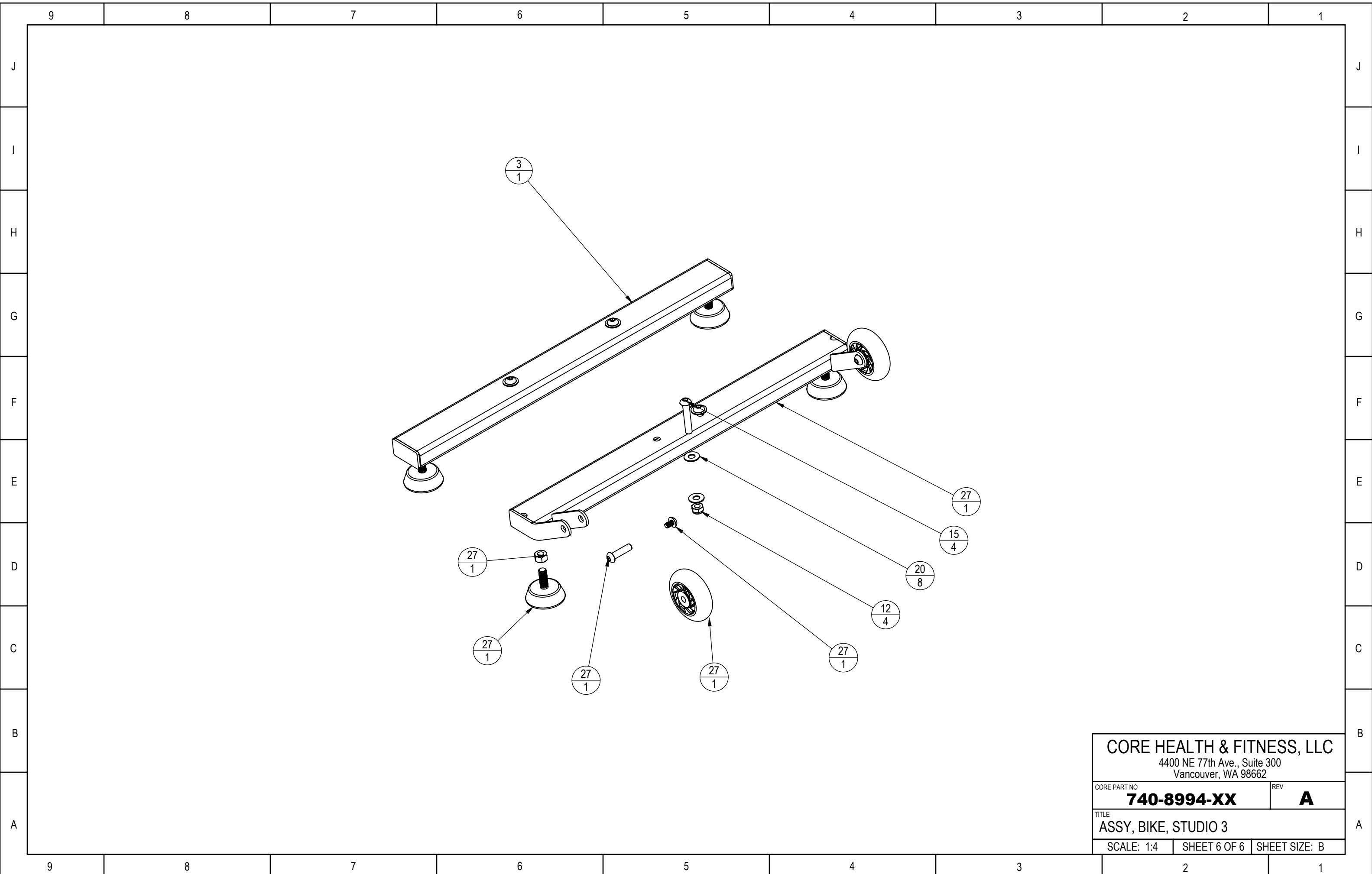
1. CLEAN SURFACE W DENATURED ALCOHOL PRIOR TO ADHERING LABEL OR LOGOS
2. INSTALLATION LOAD FOR RIVNUTS: USE MFG SPEC FOR PROPER CLINCH FORCE
3. TORQUE TO 47-54 N-m
4. TORQUE TO 15 N-m
5. APPLY LOCTITE 242 OR 243 MED. STRENGTH THREAD LOCKER



<b>CORE HEALTH &amp; FITNESS, LLC</b> 4400 NE 77th Ave., Suite 300 Vancouver, WA 98662		
CORE PART NO	<b>740-8994-XX</b>	REV <b>A</b>
TITLE <b>ASSY, BIKE, STUDIO 3</b>		
SCALE: 1:6	SHEET 4 OF 6	SHEET SIZE: B



<b>CORE HEALTH &amp; FITNESS, LLC</b> 4400 NE 77th Ave., Suite 300 Vancouver, WA 98662		
CORE PART NO <b>740-8994-XX</b>	REV <b>A</b>	
TITLE <b>ASSY, BIKE, STUDIO 3</b>		
SCALE: 1:4	SHEET 5 OF 6	SHEET SIZE: B



CORE HEALTH & FITNESS, LLC  
 4400 NE 77th Ave., Suite 300  
 Vancouver, WA 98662

CORE PART NO	740-8994-XX	REV	A
--------------	-------------	-----	---

TITLE  
 ASSY, BIKE, STUDIO 3

SCALE: 1:4	SHEET 6 OF 6	SHEET SIZE: B
------------	--------------	---------------

9 8 7 6 5 4 3 2 1

J

I

H

G

F

E

D

C

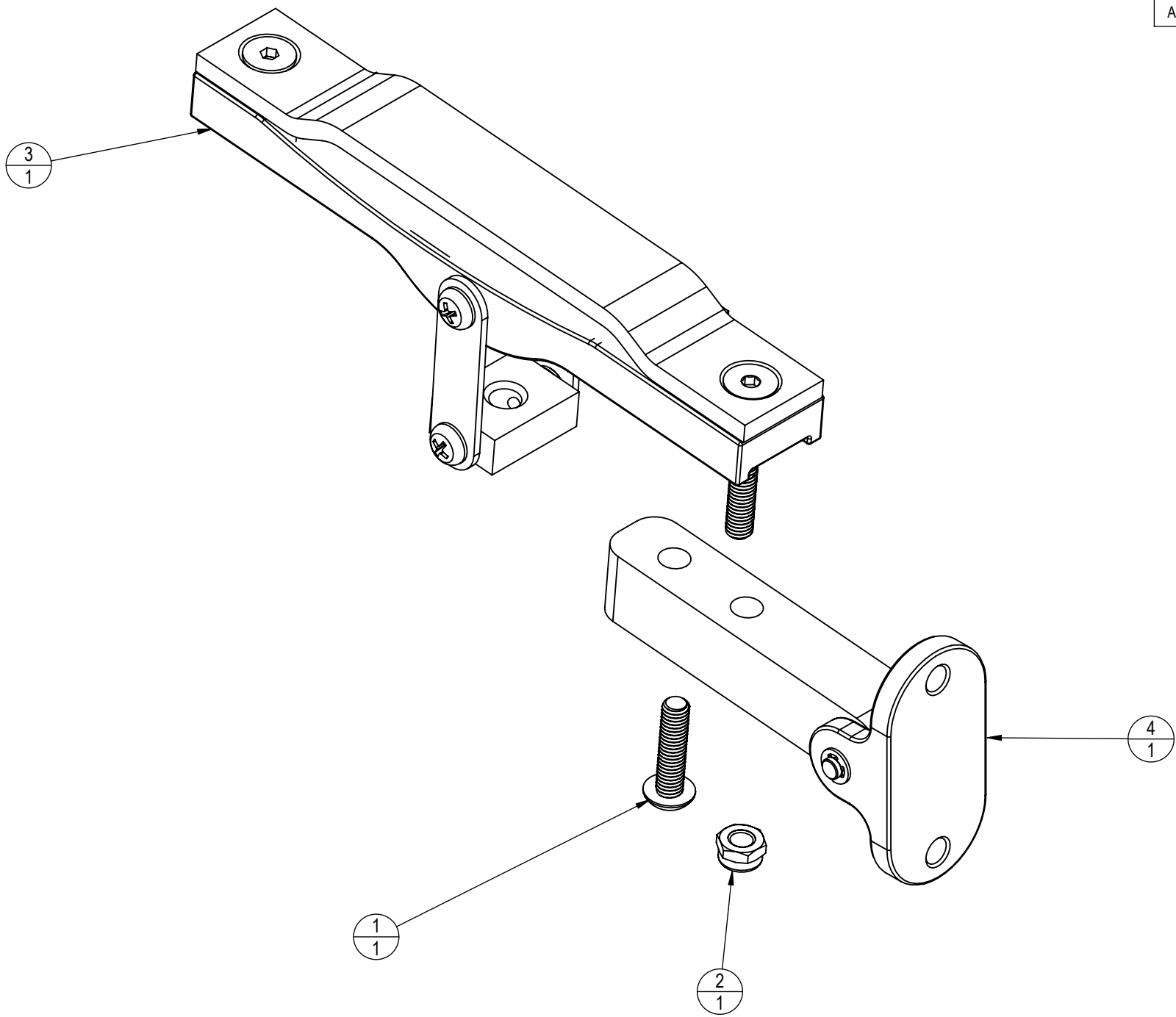
B

A

9 8 7 6 5 4 3 2 1



REVISION HISTORY				
REV	DATE	DESCRIPTION	ECO	BY
A	10/5/2015	PRODUCTION RELEASE	15084	SV



ITEM NO.	PART NUMBER	DESCRIPTION	QTY.
1	110-3634	SCREW, M5X0.8X20 BHSC SS HE	1
2	731-1957	NUT, M5, NYLOCK	1
3	740-8945	ASSY, BRAKE PAD LINK, ST BIKES	1
4	740-9002	MOUNT, BRAKE, LINK, S3	1

**DOCUMENT STATUS:**

NOTICE OF PROPRIETARY INFORMATION  
 THIS DOCUMENT SHALL NOT BE REPRODUCED NOR SHALL THE INFORMATION CONTAINED HEREIN BE USED BY OR DISCLOSED TO OTHER EXCEPT AS EXPRESSLY AUTHORIZED BY CORE HEALTH & FITNESS, LLC.

CLASS OF WORK	UNLESS OTHERWISE SPECIFIED DIMS ARE IN mm. TOLERANCES FOR MEASURE OF LENGTH ARE:								ANGLES = ±2°
	0.5 to 3	>3 to 6	>6 to 30	>30 to 120	>120 to 400	>400 to 1000	>1000 to 2000	>2000	
FINE	±0.05	±0.05	±0.1	±0.15	±0.2	±0.3	±0.5	----	
MEDIUM	±0.1	±0.1	±0.2	±0.3	±0.5	±0.8	±1.2	±2	
COARSE	±0.2	±0.3	±0.5	±0.8	±1.2	±2	±3	±4	
VERY COARSE	----	±0.5	±1	±1.5	±2.5	±4	±6	±8	

MATERIAL  
SEE BOM

FINISH  
N/A

VENDOR: N/A

P/N: N/A

THIRD ANGLE PROJECTION		
DRAWN	INITIAL SV	DATE 10/05/2015
CHECKED		
APPROVED		

**CORE HEALTH & FITNESS, LLC**  
 4400 NE 77th Ave., Suite 300  
 Vancouver, WA 98662

CORE PART NO: **740-9000** REV: **A**

TITLE: **ASSY, BRAKE, S3**

SCALE: 1:1 SHEET 1 OF 1 SHEET SIZE: B