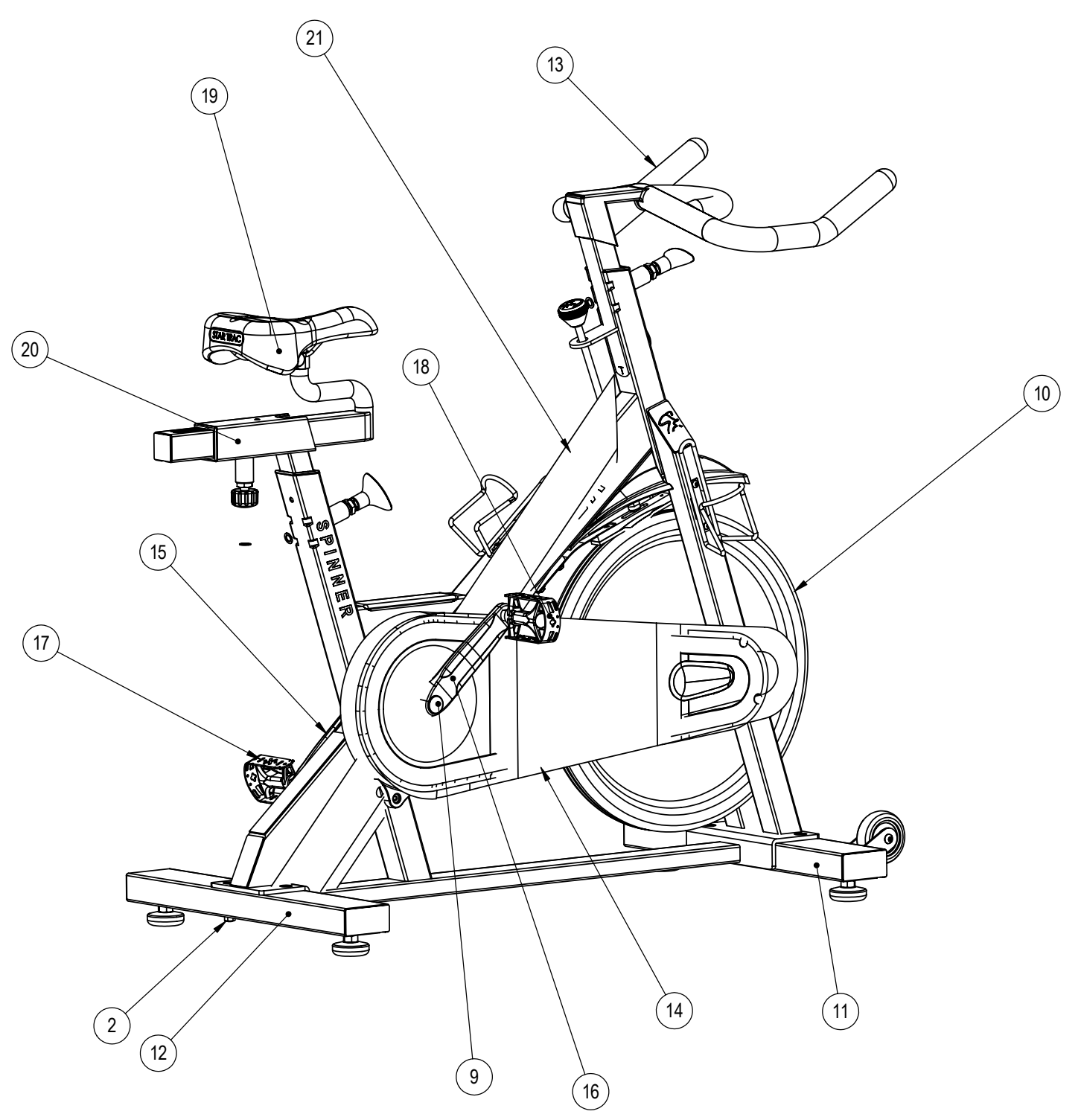
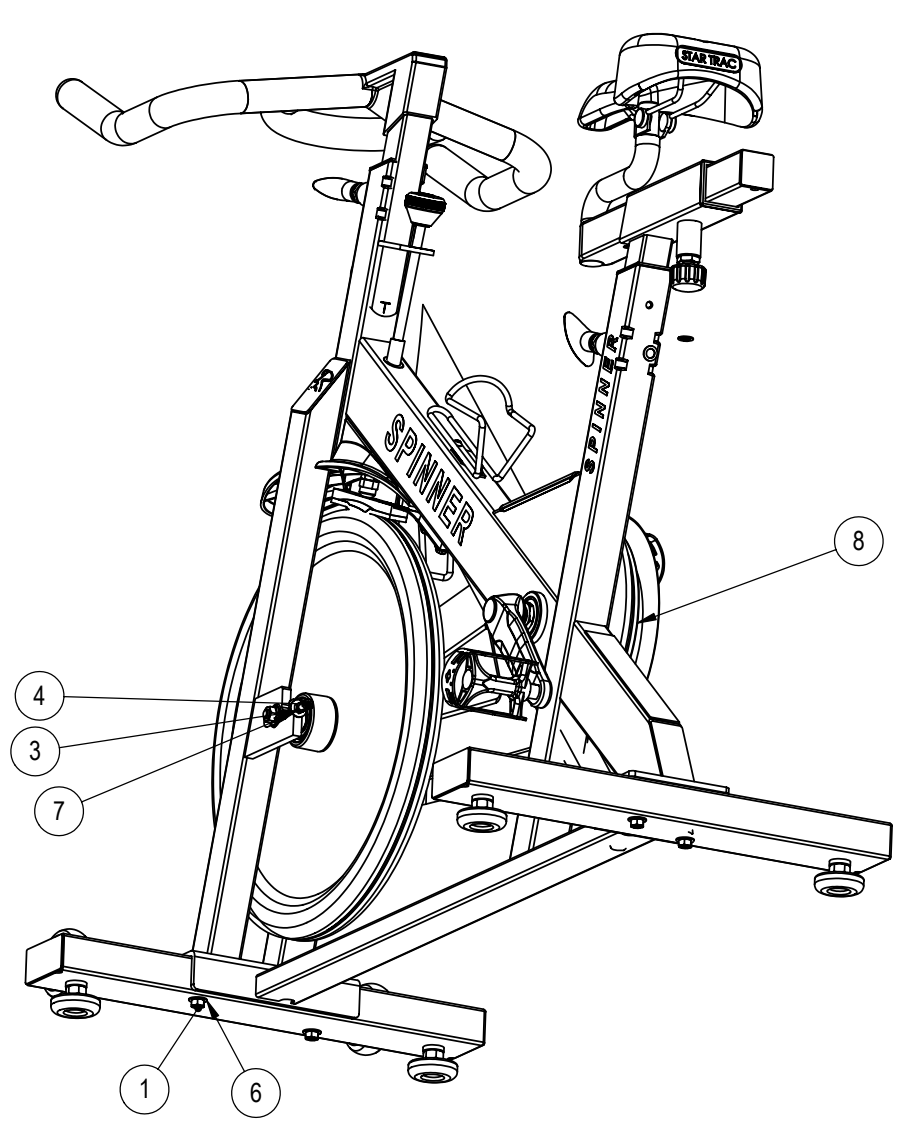


REVISIONS				
REV	DATE	DESCRIPTION	ECO	BY
X1	08-27-04	PRELIMINARY RELEASE.		RKL
A	10-21-04	PRODUCTION RELEASE.	11193	RKL
B	05-11-05	UPDATE B.O.M. P/N.	11255	RKL
C	01-11-06	CHANGE FROM P/N: 800-3841 TO P/N: 130-1741.	11387	RKL



ITEM NO.	PART NUMBER	FITEK P/N	DESCRIPTION	9-6800-SUSAP0/QTY.
1	110-3323	658-1-0080-00 (B18.3.5M-8X1.25X55 SOCKET FCHS-55N)	SCREW, M8 X 1.25 X 55, SOCKET FCHS	4
2	110-3324	664-2-0080-00 (B18.2.4.1M-HEX NUT, STYLE 1, M8X1.25-D-N)	NUT, HEX, STYLE 1, M8 X 1.25	4
3	110-3325	M6 NUT (B18.2.4.1M-HEX NUT, STYLE 1, M6X1-D-N)	NUT, HEX, STYLE 1, M6 X 1	2
4	110-3326	653-1-0060-04 (B18.2.3.5M-HEX BOLT M6X1.0X50 -50N)	BOLT, HEX, M6 X 1.0 X 50	2
5	120-3288	321-6-2502-00	WASHER, CRANK, SPINNER	2
6	120-3289	603-3-0085-00 (B18.22M-PLAIN WASHER, 8MM, REGULAR)	WASHER, 8MM, REGULAR	4
7	120-3290	605-3-0063-01 (B18.22M-PLAIN WASHER, 5MM, REGULAR)	WASHER, 5MM, REGULAR	2
8	130-1741	311-6-1614-00	CHAIN, 112 LINKS, SPINNER 6800/6900	1
9	140-3322	311-6-1602-00	CAP, CRANK, SPINNER	2
10	727-0001	311-4-1751-00	ASSY., FLYWHEEL, W/AXLE, 6800/7000	1
11	727-0033	311-4-1401-00	ASSY., FOOT, FRONT, W/WHEEL & FEET, SPINNER 6800/6900	1
12	727-0034	311-4-1501-00	ASSY., FOOT, REAR, W/RUBBER FEET, SPINNER 6800/6900	1
13	727-0043	311-3-1103-11	ASSY., HANDLEBAR, FINISHED, 6800	1
14	727-0044	311-4-2107-00	ASSY., CHAIN COVER, SPINNER 6800/6900	1
15	727-0053-01	311-6-1604-00	CRANK, LEFT, SPINNER 6800/6900	1
16	727-0053-02	311-6-1605-00	CRANK, RIGHT, SPINNER 6800/6900	1
17	727-0055-01	311-6-1620-00	PEDAL, L, W/O SPD, SPINNER PRO	1
18	727-0055-02	311-6-1621-00	PEDAL, R, W/O SPD, SPINNER PRO	1
19	727-0056	311-4-1305-00	ASSY., SEAT W/SLIDER, SPINNER 6800	1
20	727-0058	311-4-1204-00	ASSY., SEATPOST, W/TENSION KNOB & INSERT, SPINNER 6800	1
21	727-0065	311-4-1001-00	ASSY., FRAME, SPINNER 6800	1
22	727-0086	311-6-2400-00	ASSY., COVER, STEP THROUGH, 6800/6900	1
23	800-3938	301-6-1603-00 (B18.2.3.4M-HEXFLANGE SCREW, M8X1.25X25 -25N)	BOLT, BOTTOM BRACKET, 22MM, SPINNERS	2



NOTES:  
 1. THIS MODEL INCLUDES ADDITIONAL SPARE PARTS:  
 P/N: 727-0060 - SEAT, VELO, SPINNER PRO  
 P/N: 800-3405 - STRAPS, (SET), PEDALS  
 P/N: 800-3721 - ASSY., BRAKE PAD, SPINNER

NOTICE OF PROPRIETARY INFORMATION  
 THIS DOCUMENT SHALL NOT BE REPRODUCED NOR SHALL THE INFORMATION CONTAINED HEREIN BE USED BY OR DISCLOSED TO OTHER EXCEPT AS EXPRESSLY AUTHORIZED BY UNISEN

MATERIAL	TOLERANCES UNLESS OTHERWISE SPECIFIED X.XXX = ± 0.25 (.010") ANGLES = ± 2° X.XX = ± 0.76 (.030") FRACTIONS = ± 1/32 X.X = ± 1.27 (.050") X. = ± 3.20 (.125")		UNISEN INC. 14410 Myford Road Irvine CA 92606	
REFER TO B.O.M.	FINISH	DRAWN	INITIAL	DATE
	NONE	CHECKED	RKL	08-27-04
		APPROVED		
		U.O.M.	MM	
C TITLE		SCALE	SIZE	PART NO
SPINNER, PRO, 6800		1:4	C	9-6800-SUSAP0
REV		SHEET 1 OF 1		