

REVISION HISTORY				
REV	DATE	DESCRIPTION	ECO	BY
A	05/18/09	INITIAL PRODUCTION RELEASE		CSM

ITEM NO	Part#	DESCRIPTION	QTY
1	E220-0001	LABEL SAFETY KEEP HANDS LARGE	2
2	E220-0005	LABEL SAFETY SCULPTURE 10 FLOW	2
3	E220-0006	BRCS, 3/8 X 1/4 X 1/4 BRIGHT Z	2
7	R600-0007	WASHER, GAL. STL. Z	10
10	E220-0011	SERIAL NUMBER	1
4	E211-0218	ASSY. WELD. W/ STACK CONN. SIDE	1
7	R600-0029	NUT NYN. DC JAM. 3/8 X 1/2	11
8	R600-0000	WASHER, GAL. STL. Z	10
4	E211-0219	ASSY. WELD. ADJUST HANDLE	1
10	E220-0042	ROM ADJUST ARM S.3/8S	1
11	R600-0006	FLAT WASHER, WEL	8
12	R600-0008	NUT JAM. 1/4-20 Z	8
13	E220-0006	BRCS, 3/8 X 1/4 BRIGHT Z	1
14	E220-0006	BRCS, 3/8 X 1/4 BRIGHT Z	1
15	E211-0214	ASSY. WELD. TROLLEY 18 INCH	1
16	E211-0213	ASSY. WELD. SEAT S.3/8S	1
17	E210-0009	BENCHING SEAT PIST	1
18	E211-0215	ASSY. WELD. ROM. LEG PRESS	1
19	E220-0035	PN. ROM RELEASE, 6/16IN.	1
20	R600-0026	FLARING FLANGE, 7/8 X 7/8	2
21	E220-0056	BRCS, 3/8 X 1/4 BRIGHT Z	1
22	E220-0081	BELT CLAMP 1.25 X 2.8 IN. ZS. 27 THRU	1
23	E220-0052	BELT CLAMP 1.25 X 2.8 IN. ZS. 19 X 27 THRU	1
24	E220-0053	BRCS, 3/8 X 1/4 X 4 BRIGHT Z	4
25	E220-0026	BRCS, 1/2 X 1/4 X 3/4 BRIGHT Z	1
26	R600-0008	WASHER, STL. Z	2
27	R600-0012	NUT HEX. JAM. 1/2 X 1/2	1
28	E220-0041	BRCS, 1/2 X 1/4 X 1 BRIGHT Z	4
29	R600-0026	NUT, NYN. DC, 3/8 X 1/2	2
30	R600-0027	LINK CHAIN, #40, PL. 170	1
31	R600-0018	BEARING, WELDED, 1" I.D. OPEN	4
32	R600-0044	PLATE, BRK. 3/8 X 1/4 X 3 1/8	1
33	R600-0128	Linear Shaft, 1" ID x 51	2
34	E220-0026	BRCS, 1/2 X 1/4 X 1/8	2
35	R600-0140	BUSHING, 1.5 X 1.5 X 1.00	2
36	E220-0026	3/8 X 1/4 X 1/8 BRIGHT Z	2
37	E220-0014	LINK, TRANSMISSION 19 PIN	1
38	E220-0006	COVER, PULLEY 5"	2
39	R600-0027	ASSY. UPHOLSTERY SEAT	1
40	R600-0016	CARBIDE SCREW, 1/8 X 2 1/8	8
41	E211-0217	ASSY. WELD. W/ STACK CONN. LOW	1
42	E220-0179	STANDOFF, P. ALUMINUM	6
43	R600-0441	RULLY BEEBEE, 1/2 X 1/2 X 1/2 W/ WELDED	1
44	R600-0025	STEP RUBBER, 1/2 X 1/2 X 1/2	1
45	E220-0033	PLATE, FLOOR GUARD	1
46	R600-0001	STOP BUSH	1
47	E220-0032	STOP PLATE, LAM. 1/8" SWMT	2
48	E211-0216	ASSY. WELD. MAIN FRAME S.3/8S	1
49	E220-0051	BRCS, 3/8 X 1/4 X 1/4 BRIGHT Z	1
50	E220-0080	BRCS, 3/8 X 1/4 X 1/4 BRIGHT Z	2
51	E220-0085	BRCS, 3/8 X 1/4 X 1/4 BRIGHT Z	6
52	R600-0006	CAP HANDLE 1"	1
53	E220-0001	SSS, 1/2 X 1/4 X 1/8 BLK	10
54	R600-0006	CAP HANDLE 1" CSBANK	2
55	R600-0001	TUBE ROUND, RUBBER BLK	12 IN.
56	E220-0048	BRG HANDLE 1"	2
57	R600-0117	CAP BLACK, 2 X 1/2	1
58	R600-0006	TUBE ROUND, 3/4" RUBBER BLK	8 IN.
59	R600-0007	ASSY. UPH. 27422	1
60	R600-0074	SPRING, FULL PUN	1
61	R600-0001	BELT MULTIPLE, POOL	189 IN.
62	R600-0104	UPHOLSTERY, TPO	1 1/2 IN. X 30
63	R600-0104	POWER COAT, TPO	2 1/2 IN. X 30
64	R600-0104	CAP 1 1/2 X 1/2, BLACK, 1/2 THRU	2
65	R600-0010	HEX CAP FULL PUN	1
66	R600-0020	PH. SPRING, 1/8 X 3/4	4
67	E211-0209	ASSY. WELD. W/ FRAME S.3/8S	1

- NOTES:
 1. INTERPRET DRAWING PER ASME Y14.5M-1994.
 2. IF APPLICABLE, CRITICAL DIMENSIONS LABELED.
 3. ALL HARDWARE IS KITTED PER 3700-0451
 4. ALL UPHOLSTERY IS KITTED PER 3700-0200
 5. EST GROSS WT. 600 LBS.

DOCUMENT STATUS:
 ECO

MATERIAL
 SEE BOM

FINISH
 N/A

REVISION: N/A

UNISEN, INC. DBA 14410 Myford Road
 Irvine, CA 92606

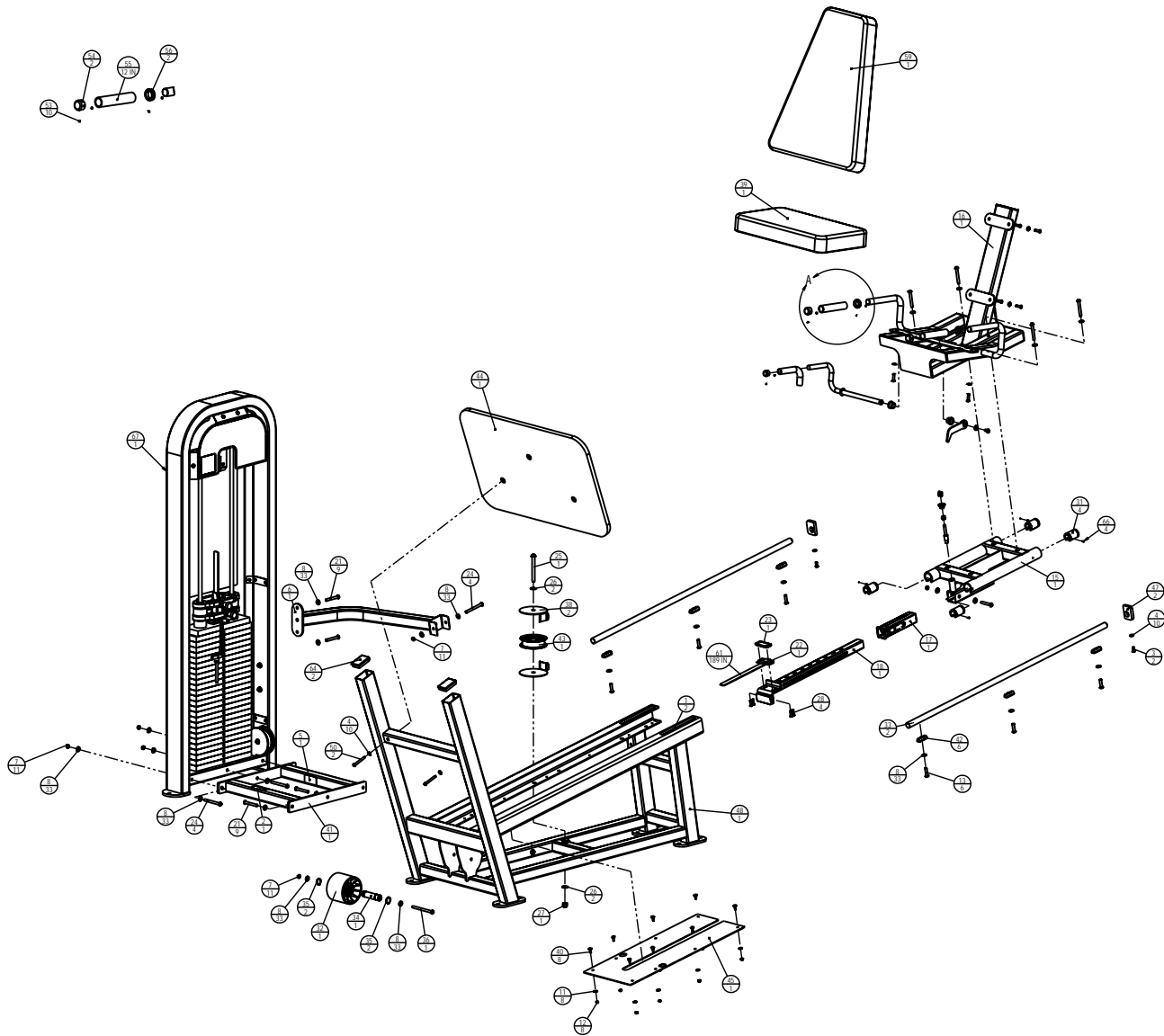
UNISEN, INC. DBA 14410 Myford Road
 Irvine, CA 92606

UNISEN, INC. DBA 14410 Myford Road
 Irvine, CA 92606

UNISEN, INC. DBA 14410 Myford Road
 Irvine, CA 92606

UNISEN, INC. DBA 14410 Myford Road
 Irvine, CA 92606

UNISEN, INC. DBA 14410 Myford Road
 Irvine, CA 92606



UNISEN, INC. DBA 14410 Myford Road
 STARTRAC Irvine, CA 92606
 ©M/S-S1305CX XXXX X01
 SEATED LEG PRESS, MS
 SCALE: 1:12 SHEET Z027 SHEET SIZE: D