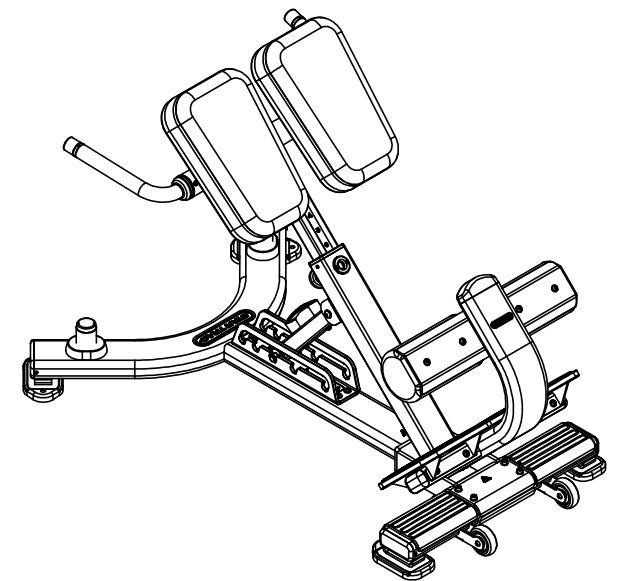
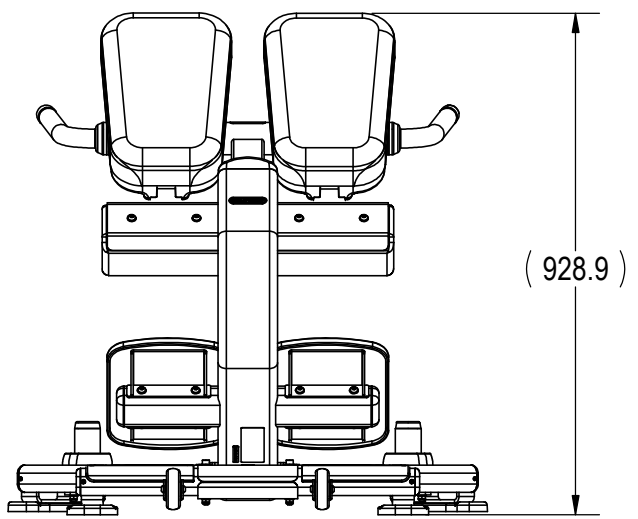
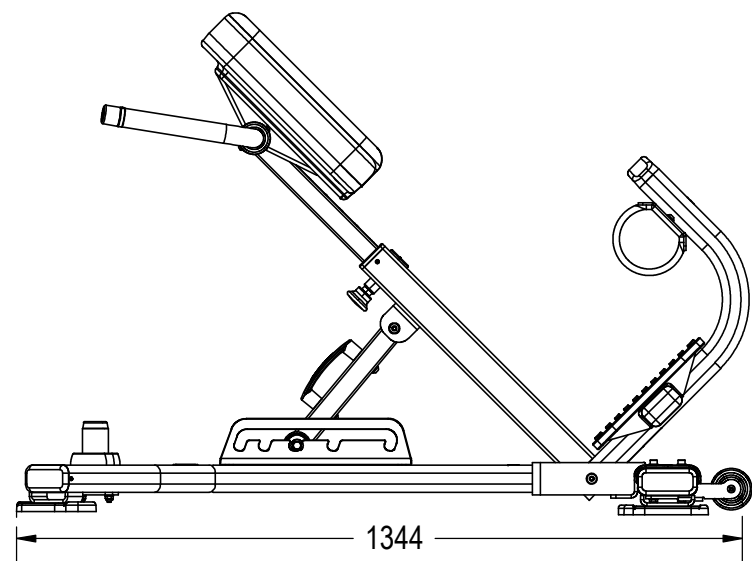
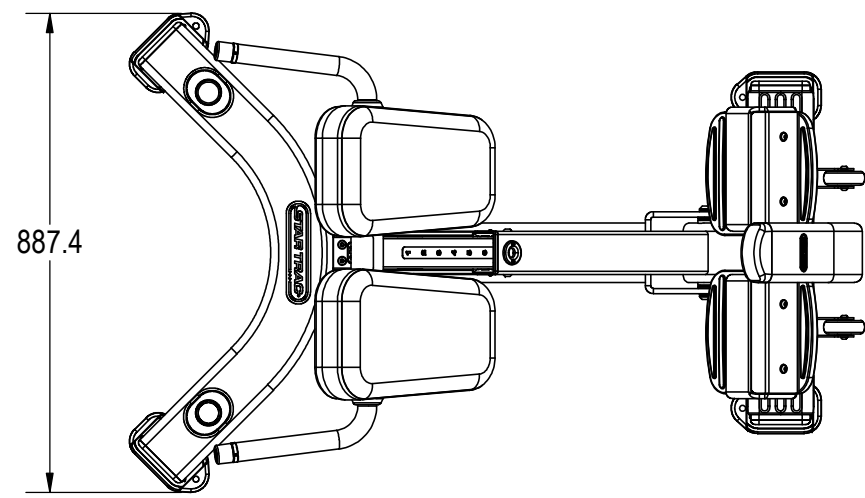


REVISION HISTORY				
REV	DATE	DESCRIPTION	ECO	BY
A	12/15/2010	RELEASE FOR PRODUCTION	13455	RLH
B	3/7/2012	UPDATE DESIGN: ADD 731-5174 GAS SPRING ASSEMBLY & 731-5213 STICKER, CAUTION, SPRING ASSIST.	13613	CLK
C	8/8/2012	ASSEMBLY TO BE UPDATED WITH DAMPENED GAS SPRING ASSEMBLY.	13822	CLK
D	8/13/2012	END CAP CHANGE, IS 731-5575, WAS 731-2090, WGT SUPPORT IS 731-5258, WAS 731-2065,	13829	PG
E	11/1/2012	REPLACE BUSHINGS ON ADJ FRAME, IS 731-5634 (2) WAS 731-1834, IS 731-5635 (2) WAS 731-1834, REMOVE TOTAL OF (6) 731-1834 UPDATE NOTES FOR THREAD LOCKER POINTS	14017	RLH



- NOTES:
- ASSEMBLE AND INSPECT PER SOP 620-7918.
 - APPLY PROPER THREAD LOCKER TO NOTED FASTNERS AND THREADED HOLES. APPLY USING MANUFACTURES DIRECTIONS.
 - NO THREAD LOCKER
 - LOCTITE 271 (RED) OR ENGINEERING APPROVED EQUIVALENT.
 - LOCTITE 243 (BLUE) OR ENGINEERING APPROVED EQUIVALENT.
 - LOCTITE 290 (GREEN) OR ENGINEERING APPROVED EQUIVALENT.

NOTICE OF PROPRIETARY INFORMATION

THIS DOCUMENT SHALL NOT BE REPRODUCED NOR SHALL THE INFORMATION CONTAINED HEREIN BE USED BY OR DISCLOSED TO OTHER EXCEPT AS EXPRESSLY AUTHORIZED BY CORE INDUSTRIES, INC., D.B.A. STAR TRAC.

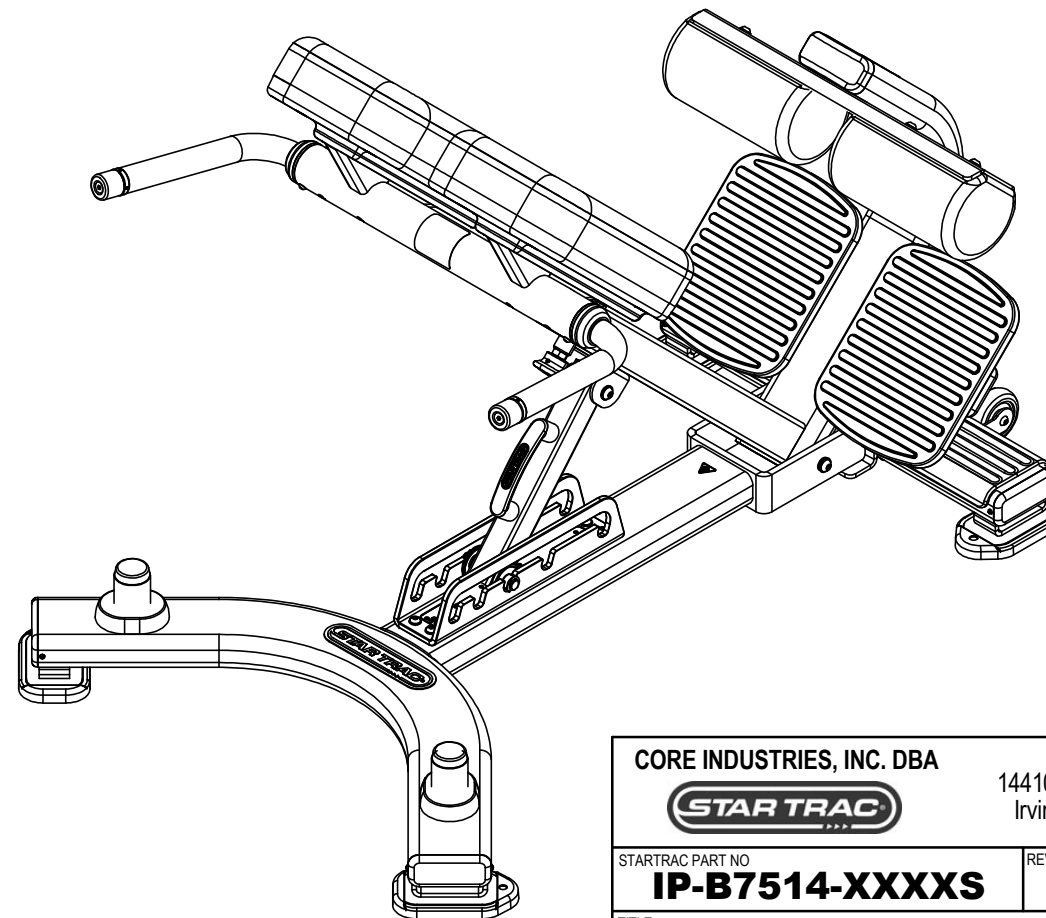
DOCUMENT STATUS:

CLASS OF WORK	UNLESS OTHERWISE SPECIFIED DIMS ARE IN mm. TOLERANCES FOR MEASURE OF LENGTH ARE:							ANGLES = ±2°
	0.5 to 3	> 3 to 6	> 6 to 30	> 30 to 120	> 120 to 400	> 400 to 1000	> 1000 to 2000	
FINE	±0.05	±0.05	±0.1	±0.15	±0.2	±0.3	±0.5	----
MEDIUM	±0.1	±0.1	±0.2	±0.3	±0.5	±0.8	±1.2	±2
COARSE	±0.2	±0.3	±0.5	±0.8	±1.2	±2	±3	±4
VERY COARSE	----	±0.5	±1	±1.5	±2.5	±4	±6	±8

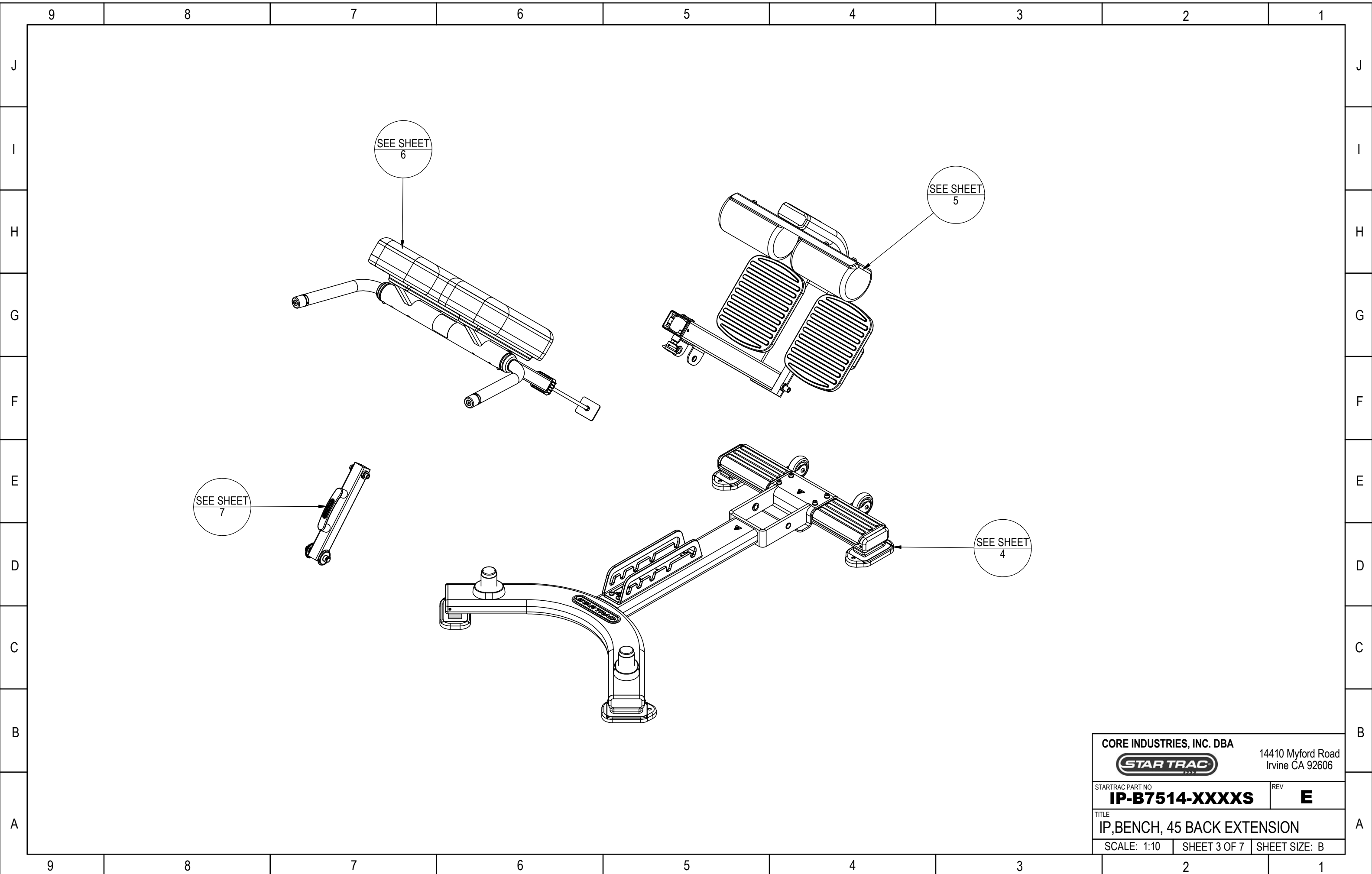
MATERIAL SEE BOM	THIRD ANGLE PROJECTION 	
FINISH N/A	INITIAL RLH	DATE 12/01/2010
VENDOR: N/A	P/N: N/A	
	U.O.M.	MM

CORE INDUSTRIES, INC. DBA 			14410 Myford Road Irvine CA 92606		
DRAWN		INITIAL	DATE		STARTRAC PART NO
CHECKED		RLH	12/01/2010		IP-B7514-XXXXS
APPROVED					REV E
TITLE IP, BENCH, 45 BACK EXTENSION			SCALE: 1:14	SHEET 1 OF 7	SHEET SIZE: B

9		8		7		6		5		4		3		2		1	
	ITEM NO.	PART NUMBER	DESCRIPTION	QTY.		ITEM NO.	PART NUMBER	DESCRIPTION	QTY.								
J	1	050-2125-10	STICKER,SERIAL NUMBER,BENCHES	1		45	731-2073	CAP,TUBE,44.5 X 76.2	2								J
	2	730-0908	WASHER,PLAIN,M10,SS	4		46	731-2074	COVER,PLATE,FOOT,HYPER	2								
	3	730-1113	SCREW, M10, BHC, HK, SS	4		47	731-2075	SHAFT,PIVOT,ADJ,HYPER	1								
	4	731-0021	SHOE, 75X147.7	2		48	731-2076	SHAFT,ROLLING,ADJ,HYPER	1								
I	5	731-0033	NUT, RIVET,M8 X 1.25	4		49	731-2077	BUSHING,ADJ ROLLER,HYPER	2								I
	6	731-0057	RING, BEAUTY, GRIP BASE	2		50	731-2078	STICKER,HYPER,1-8	1								
	7	731-0173-00XX	ASSY,KNEE PAD,STD	2		51	731-2079	SCREW,M4 X .7,8MM,SHC,HK,NP	2								
	8	731-0195	ASSY, HANDLE ADJ, STARTRAC	1		52	731-2080	BUMPER,ADJ,HYPER	1								
	9	731-0225	SCREW,M3.5 X 9.5,SELF TAPPING	8		53	731-2081	GRIP,45° HYPER	2								
H	10	731-0335	STICKER, MADE IN CHINA, IP	1		54	731-2416	STICKER,STARTRAC,70MM,DECO	1								H
	11	731-0352	SCREW,M6X0.8,10MM,BHC,HK	4		55	731-2865	STICKER,NUMBERS,45 BACK EXT	1								
	12	731-0355	WASHER,PLAIN,M8,NARROW	34		56	731-5174	GAS SPRING ASSEM., 45 BACK EXT.	1								
	13	731-0359	SCREW,M8 X 1.25,25mm,BHC,HK	4		57	731-5213	STICKER,CAUTION,SPRING ASSIST	1								
G	14	731-0365	NUT,M8 X 1.25,NYLOC JAM	12		58	731-5258	TUBE,WGT SUPPORT,HYPER	2								G
	15	731-0389	SCREW,M8 X 1.25,35mm,BHC,HK	4		59	731-5259	BUMPER,STOP,WGT	2								
	16	731-0390	SCREW,M8 X 1.25,25mm,SHC,HK	8		60	731-5272	CAP,PLUG,WEIGHT HORN,BLANK	2								
	17	731-0397	SCREW,M8 X 1.25,25mm,FHM,HK	2		61	731-5575	CAP,END,110 X 50,SHORT	2								
	18	731-0411	SCREW, M8 X 1.25, 50MM, BHC, HK, CS	2	(E)	62	731-5634	BEARING,FLANGE,15 X 19, 16	2								
	19	731-0512	STICKER,WARNING,PINCH	2	(E)	63	731-5635	BUSHING,FLANGED,15 X 19, 15	2								
F	20	731-0513	STICKER,STAR TRAC,DECO,45MMX191MM	1													F
	21	731-0635-00XX	ASSY, SEAT BOTTOM, ROW	2													
	22	731-0637	RING,BEAUTY,ADJ,PAD	1													
	23	731-0638	SUPPORT,TUBE,ADJ,CHEST	1													
E	24	731-0652	ASSY,PULL PIN,ADJ,RED	1													E
	25	731-0867	SHROUD, SEAT BOTTOM, VERT. ROW	2													
	26	731-0963	BASE, HANDLE GRIP, ARMS, 35MM	2													
	27	731-1098	ENDCAP, 110 X 50, ROUND	1													
	28	731-1450	SCREW,M8 X 1.25,75mm,SHC,HK,AS,ZP	8													
D	29	731-1456-01	PLATE,MOUNT,WGT HOLDER,BLANK	2													D
	30	731-1785	SCREW,SET,M4X.7,4MM	4													
	(E) 31	731-1834	BUSHING,M15 X 8,FLANGED	6													
	32	731-1904	END CAP	2													
	33	731-1917	TRIM RING,GRIP	2													
C	34	731-1983	ASSY,WIDE FOOT,BENCH	1													C
	35	731-2045-XX	WELD,ADJ,THIGH,HYPER	1													
	36	731-2052-XX	WELD,CALF/PIVOT,HYPER	1													
	37	731-2055-XX	WELD,ADJ,HYPER	1													
	38	731-2060-XX	WELD,BASE,HYPER	1													
B	39	731-2061-XX	BRACKET,CLAMP,FOOT,HYPER	1													B
	40	731-2062	BRACKET,ADJ HOOK,HYPER	1													
	41	731-2066	CLIP,E,M15	2													
	42	731-2067	SHAFT,PIVOT,MAIN,HYPER	1													
	43	731-2068	SCREW,M8 X 1.25,95mm,BHC,HK,NP	4													
A	44	731-2072	WELD,PLATE,FOOT,HYPER	2													A



CORE INDUSTRIES, INC. DBA		14410 Myford Road Irvine CA 92606	
STARTRAC			
STARTRAC PART NO	REV		
IP-B7514-XXXXS	E		
TITLE			
IP,BENCH, 45 BACK EXTENSION			
SCALE: 1:25	SHEET 2 OF 7	SHEET SIZE: B	

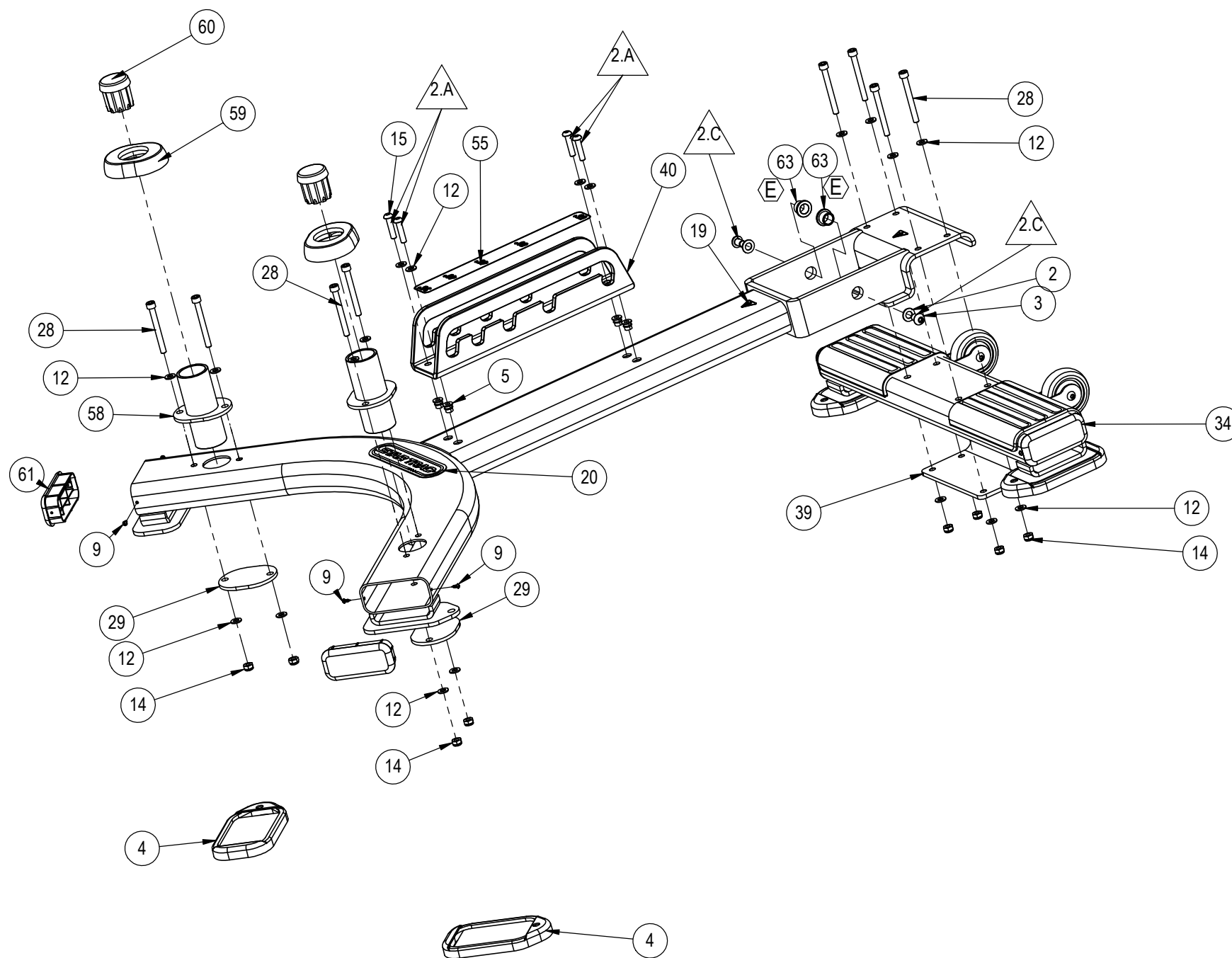


CORE INDUSTRIES, INC. DBA
STAR TRAC
 14410 Myford Road
 Irvine CA 92606

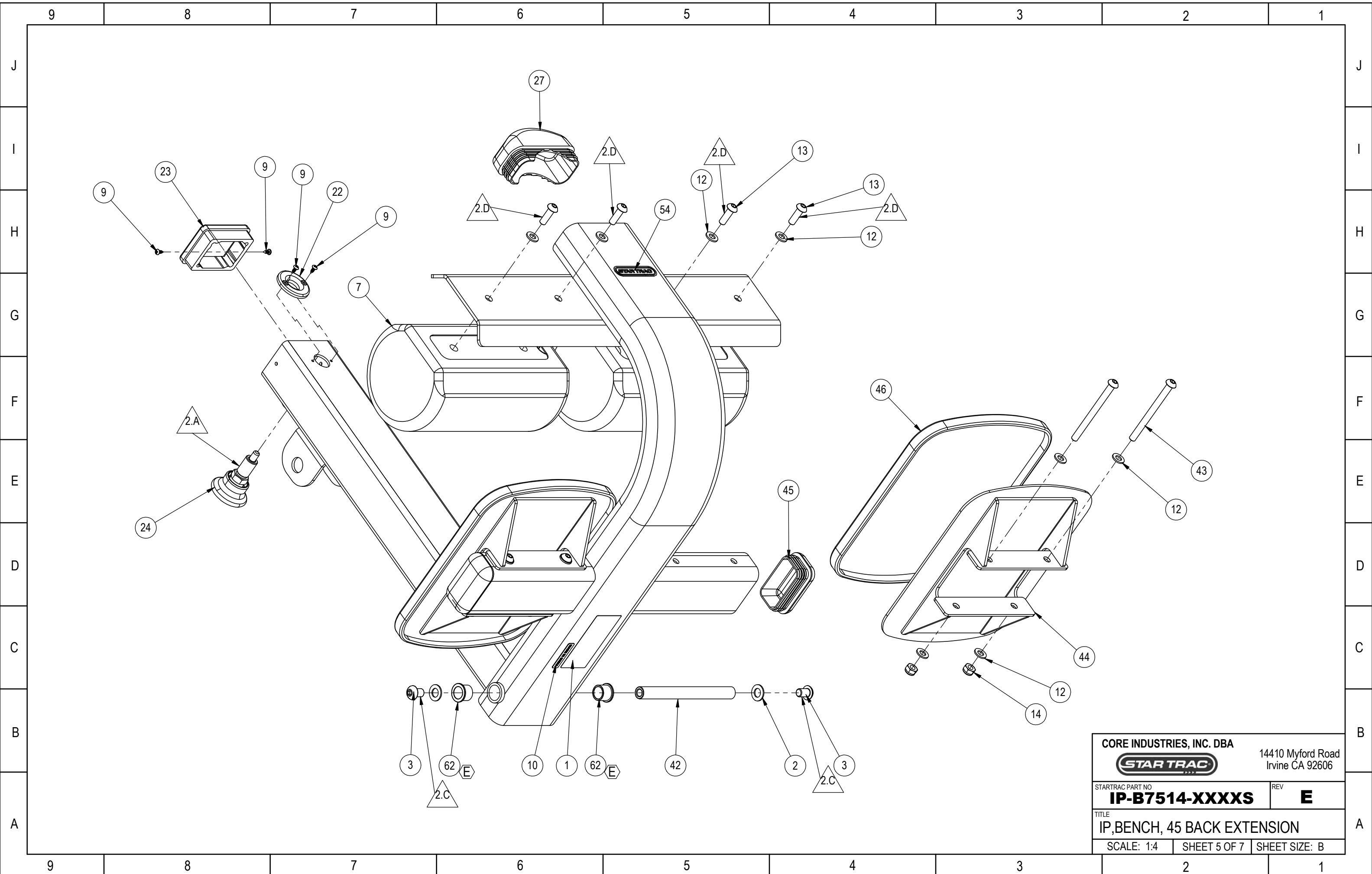
STARTRAC PART NO
IP-B7514-XXXXS
 TITLE
IP, BENCH, 45 BACK EXTENSION

SCALE: 1:10 | SHEET 3 OF 7 | SHEET SIZE: B

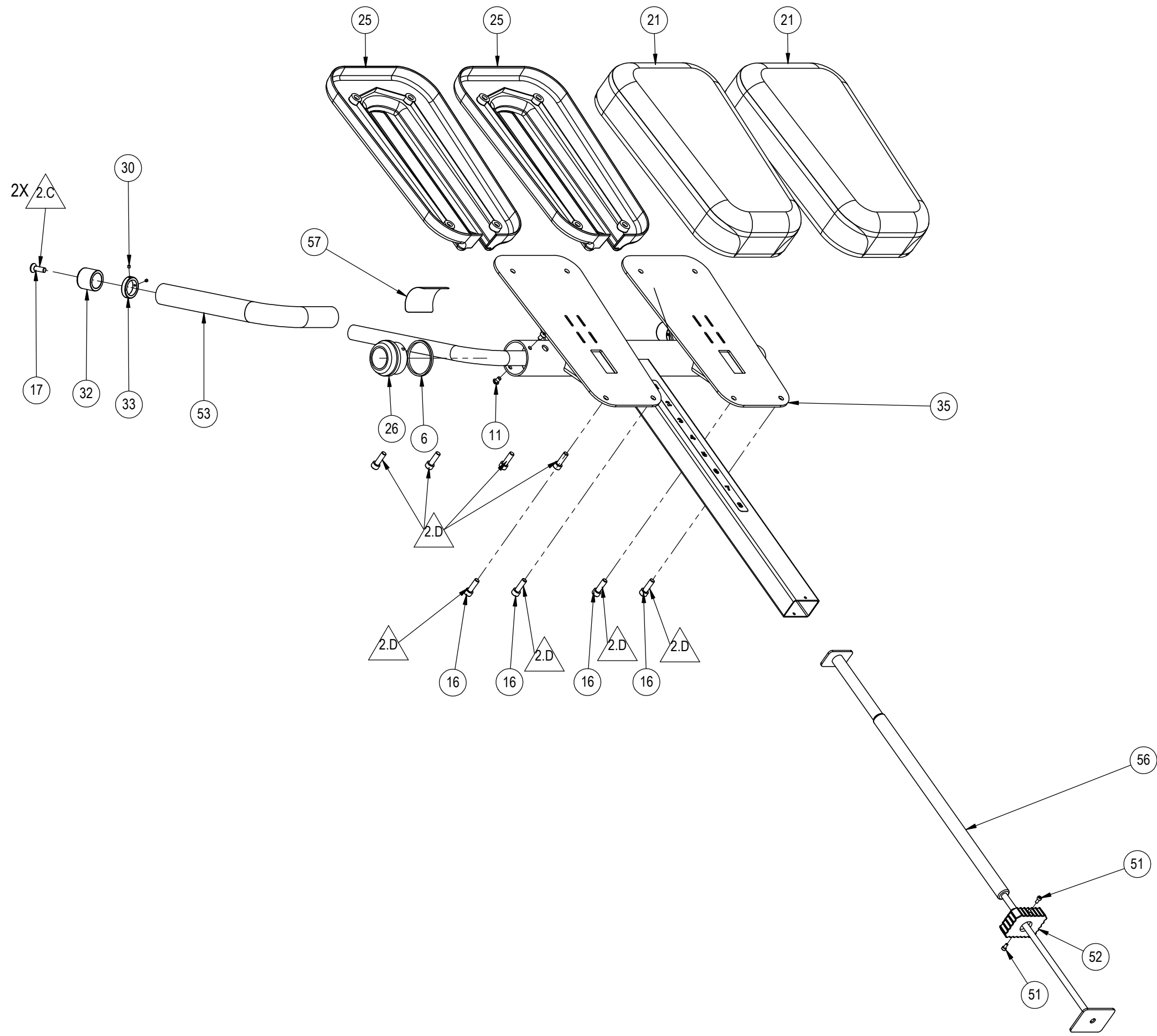
REV
E



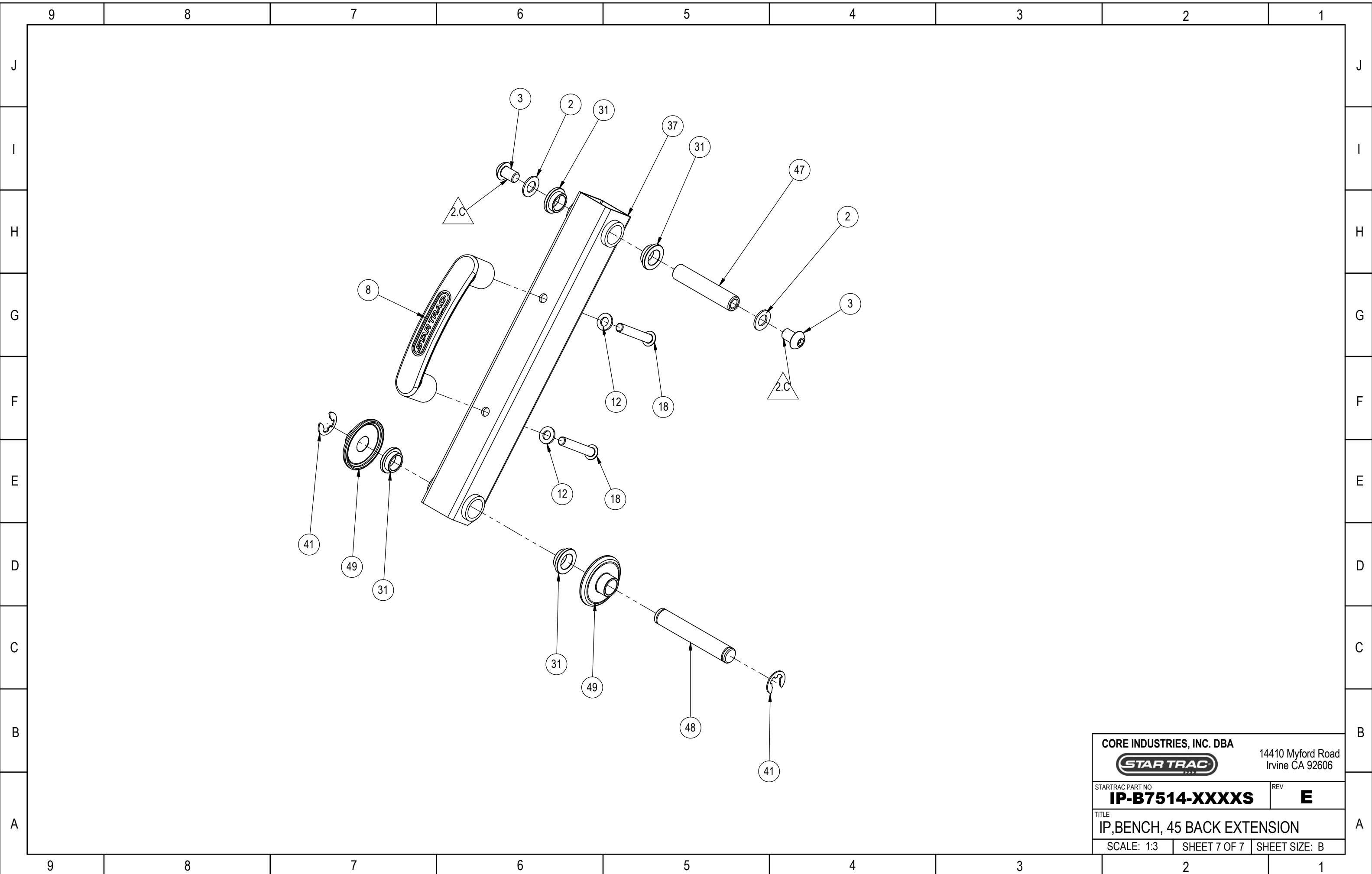
CORE INDUSTRIES, INC. DBA		14410 Myford Road Irvine CA 92606	
STARTRAC PART NO	IP-B7514-XXXXS		REV E
TITLE IP, BENCH, 45 BACK EXTENSION			
SCALE: 1:8	SHEET 4 OF 7	SHEET SIZE: B	



CORE INDUSTRIES, INC. DBA		14410 Myford Road Irvine CA 92606	
STAR TRAC			
STARTRAC PART NO	IP-B7514-XXXXS		REV E
TITLE IP, BENCH, 45 BACK EXTENSION			
SCALE: 1:4	SHEET 5 OF 7	SHEET SIZE: B	



CORE INDUSTRIES, INC. DBA		14410 Myford Road Irvine CA 92606	
STAR TRAC			
STARTRAC PART NO	IP-B7514-XXXXS		REV E
TITLE IP, BENCH, 45 BACK EXTENSION			
SCALE: 1:7	SHEET 6 OF 7	SHEET SIZE: B	



CORE INDUSTRIES, INC. DBA		14410 Myford Road Irvine CA 92606	
STAR TRAC			
STARTRAC PART NO	IP-B7514-XXXXS		REV E
TITLE IP, BENCH, 45 BACK EXTENSION			
SCALE: 1:3	SHEET 7 OF 7	SHEET SIZE: B	