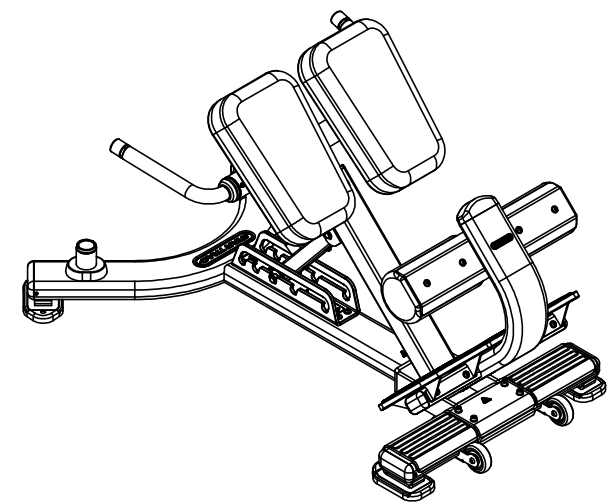
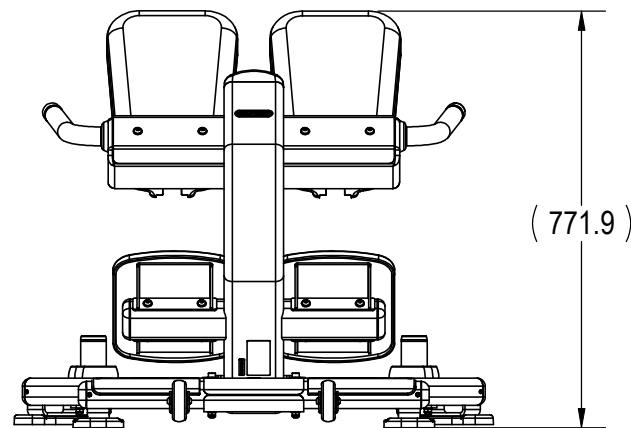
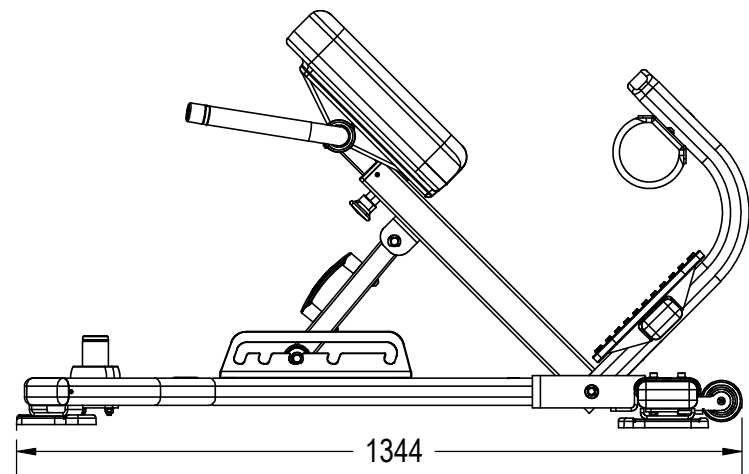
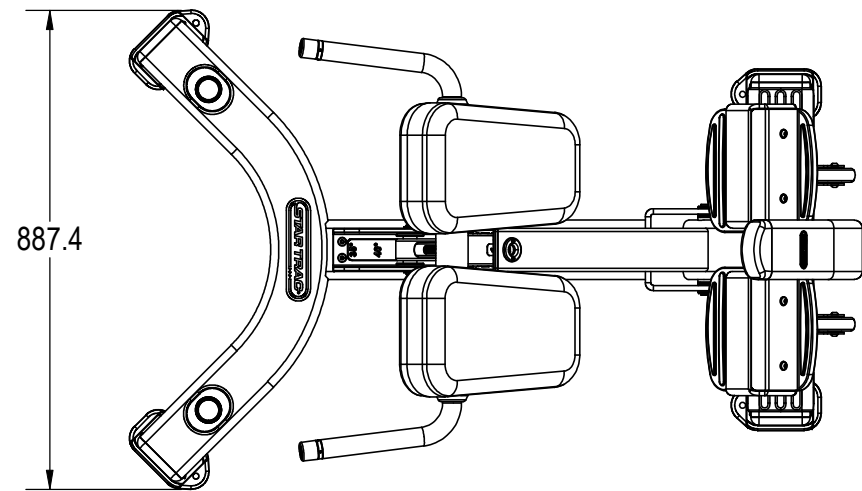


REVISION HISTORY				
REV	DATE	DESCRIPTION	ECO	BY
A	12/15/2010	RELEASE FOR PRODUCTION	13455	RLH



NOTICE OF PROPRIETARY INFORMATION  
 THIS DOCUMENT SHALL NOT BE REPRODUCED NOR SHALL THE INFORMATION CONTAINED HEREIN BE USED BY OR DISCLOSED TO OTHER EXCEPT AS EXPRESSLY AUTHORIZED BY CORE INDUSTRIES, INC., D.B.A. STAR TRAC.

**DOCUMENT STATUS:**

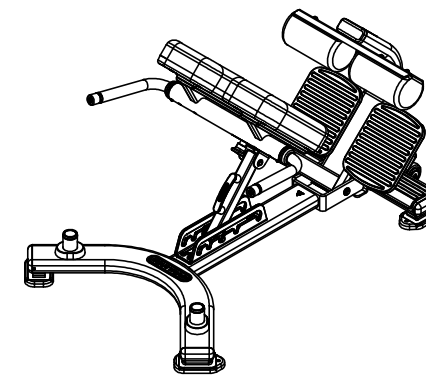
NOTES:

CLASS OF WORK	UNLESS OTHERWISE SPECIFIED DIMS ARE IN mm. TOLERANCES FOR MEASURE OF LENGTH ARE:							ANGLES = ±2°
	0.5 to 3	> 3 to 6	> 6 to 30	> 30 to 120	> 120 to 400	> 400 to 1000	> 1000 to 2000	
FINE	±0.05	±0.05	±0.1	±0.15	±0.2	±0.3	±0.5	----
MEDIUM <b>X</b>	±0.1	±0.1	±0.2	±0.3	±0.5	±0.8	±1.2	±2
COARSE	±0.2	±0.3	±0.5	±0.8	±1.2	±2	±3	±4
VERY COARSE	----	±0.5	±1	±1.5	±2.5	±4	±6	±8

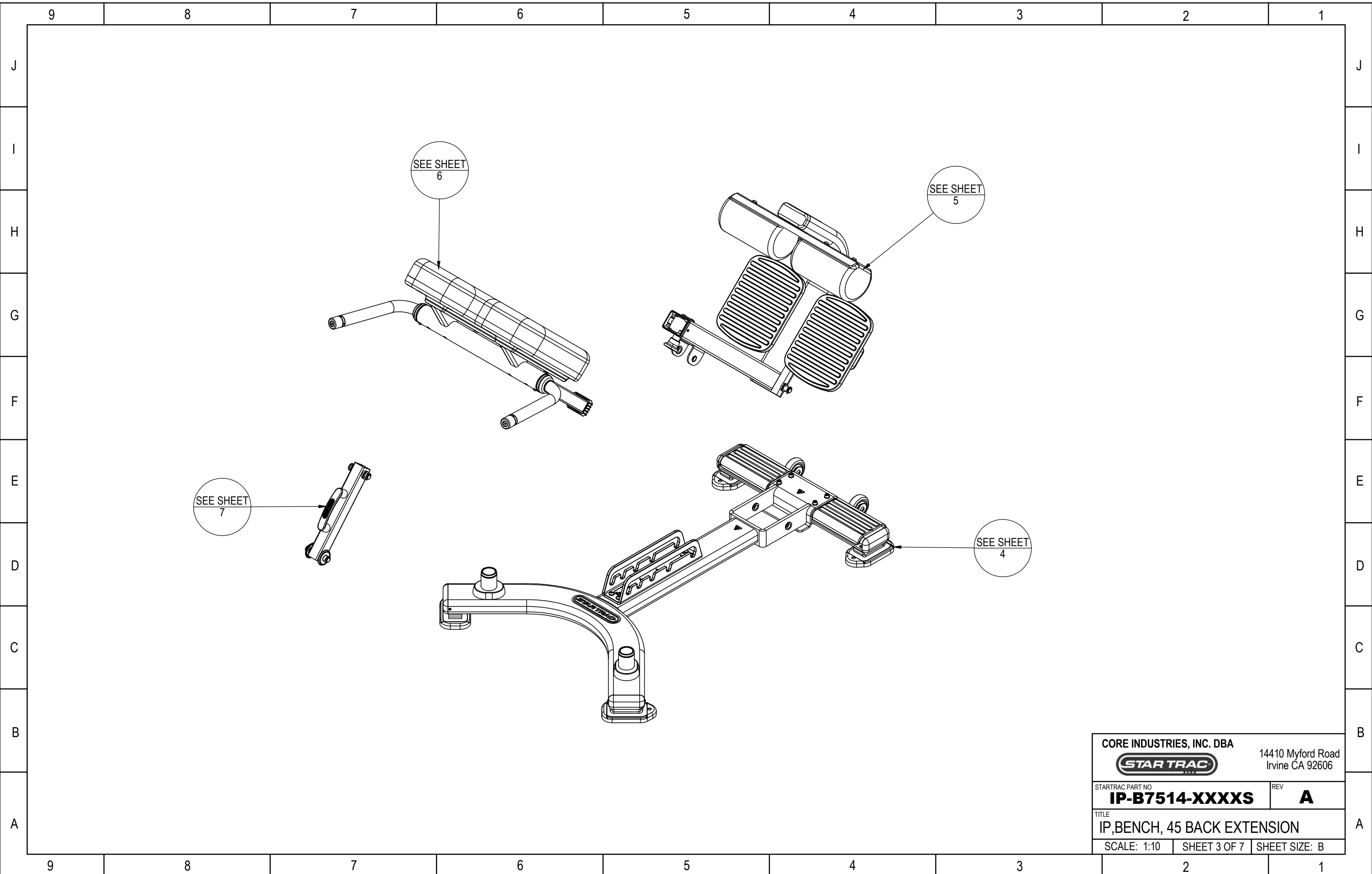
<b>MATERIAL</b> SEE BOM	<b>THIRD ANGLE PROJECTION</b> 	
<b>FINISH</b> N/A	DRAWN	DATE
<b>VENDOR: N/A</b>	INITIAL RLH	12/01/2010
<b>P/N: N/A</b>	APPROVED	
	U.O.M.	MM

<b>CORE INDUSTRIES, INC. DBA</b> 		14410 Myford Road Irvine CA 92606	
STARTRAC PART NO	TITLE	REV	
<b>IP-B7514-XXXXS</b>	<b>IP, BENCH, 45 BACK EXTENSION</b>	<b>A</b>	
SCALE: 1:14	SHEET 1 OF 7	SHEET SIZE: B	

9				8				7				6				5				4				3				2				1			
J		ITEM NO.	PART NUMBER	DESCRIPTION				Default QTY.	I		ITEM NO.	PART NUMBER	DESCRIPTION				Default QTY.	H		G		F		E		D		C		B		A			
		1	050-2125-10	STICKER,SERIAL NUMBER,BENCHES				1			45	731-2068	SCREW,M8 X 1.25,95mm,BHC,HK,NP				4																		
		2	731-0021	SHOE, 75X147.7				2			46	731-2072	WELD,PLATE,FOOT,HYPER				2																		
		3	731-0033	NUT, RIVET,M8 X 1.25				4			47	731-2073	CAP,TUBE,44.5 X 76.2				2																		
		4	731-0057	RING, BEAUTY, GRIP BASE				2			48	731-2074	COVER,PLATE,FOOT,HYPER				2																		
		5	731-0173-00XX	ASSY,KNEE PAD,STD				2			49	731-2075	SHAFT,PIVOT,ADJ,HYPER				1																		
		6	731-0195	ASSY, HANDLE ADJ, STARTRAC				1			50	731-2076	SHAFT,ROLLING,ADJ,HYPER				1																		
		7	731-0209	CAP, END, 110 X 50				2			51	731-2077	BUSHING,ADJ ROLLER,HYPER				2																		
		8	731-0225	SCREW,M3.5 X 9.5,SELF TAPPING				8			52	731-2078	STICKER,HYPER,1-8				1																		
		9	731-0335	STICKER, MADE IN CHINA, IP				1			53	731-2079	SCREW,M4 X .7,8MM,SHC,HK,NP				2																		
		10	731-0352	SCREW,M6X0.8,10MM,BHC,HK				4			54	731-2080	BUMPER,ADJ,HYPER				1																		
		11	731-0355	WASHER,PLAIN,M8,NARROW				34			55	731-2081	GRIP,45° HYPER				2																		
		12	731-0359	SCREW,M8 X 1.25,25mm,BHC,HK				4			56	731-2082	COVER,WGT HOLDER,1 PLATE				2																		
		13	731-0365	NUT,M8 X 1.25,NYLOC JAM				12			57	731-2416	STICKER,STARTRAC,70MM,DECO				1																		
		14	731-0389	SCREW,M8 X 1.25,35mm,BHC,HK				4			58	731-2865	STICKER,NUMBERS,45 BACK EXT				1																		
		15	731-0390	SCREW,M8 X 1.25,25mm,SHC,HK				8																											
		16	731-0397	SCREW,M8 X 1.25,25mm,FHM,HK				2																											
		17	731-0411	SCREW, M8 X 1.25, 50MM, BHC, HK, CS				2																											
		18	731-0512	STICKER,WARNING,PINCH				2																											
		19	731-0513	STICKER,STAR TRAC,DECO,45MMX191MM				1																											
		20	731-0635-00XX	ASSY, SEAT BOTTOM, ROW				2																											
		21	731-0637	RING,BEAUTY,ADJ,PAD				1																											
		22	731-0638	SUPPORT,TUBE,ADJ,CHEST				1																											
		23	731-0652	ASSY,PULL PIN,ADJ,RED				1																											
		24	731-0867	SHROUD, SEAT BOTTOM, VERT. ROW				2																											
		25	731-0963	BASE, HANDLE GRIP, ARMS, 35MM				2																											
		26	731-1098	ENDCAP, 110 X 50, ROUND				1																											
		27	731-1373	BUMPER,STOP,WGT				2																											
		28	731-1374	PLUG,WGT HOLDER				2																											
		29	731-1450	SCREW,M8 X 1.25,75mm,SHC,HK,AS,ZP				8																											
		30	731-1456-01	PLATE,MOUNT,WGT HOLDER,BLANK				2																											
		31	731-1785	SCREW,SET,M4X.7,4MM				4																											
		32	731-1834	BUSHING,M15 X 8,FLANGED				12																											
		33	731-1904	END CAP				2																											
		34	731-1917	TRIM RING,GRIP				2																											
		35	731-1983	ASSY,WIDE FOOT,BENCH				1																											
		36	731-2045-XX	WELD,ADJ,THIGH,HYPER				1																											
		37	731-2052-XX	WELD,CALF/PIVOT,HYPER				1																											
		38	731-2055-XX	WELD,ADJ,HYPER				1																											
		39	731-2060-XX	WELD,BASE,HYPER				1																											
		40	731-2061-XX	BRACKET,CLAMP,FOOT,HYPER				1																											
		41	731-2062	BRACKET,ADJ HOOK,HYPER				1																											
		42	731-2065	TUBE,WGT SUPPORT,HYPER				2																											
		43	731-2066	CLIP,E,M15				6																											
		44	731-2067	SHAFT,PIVOT,MAIN,HYPER				1																											



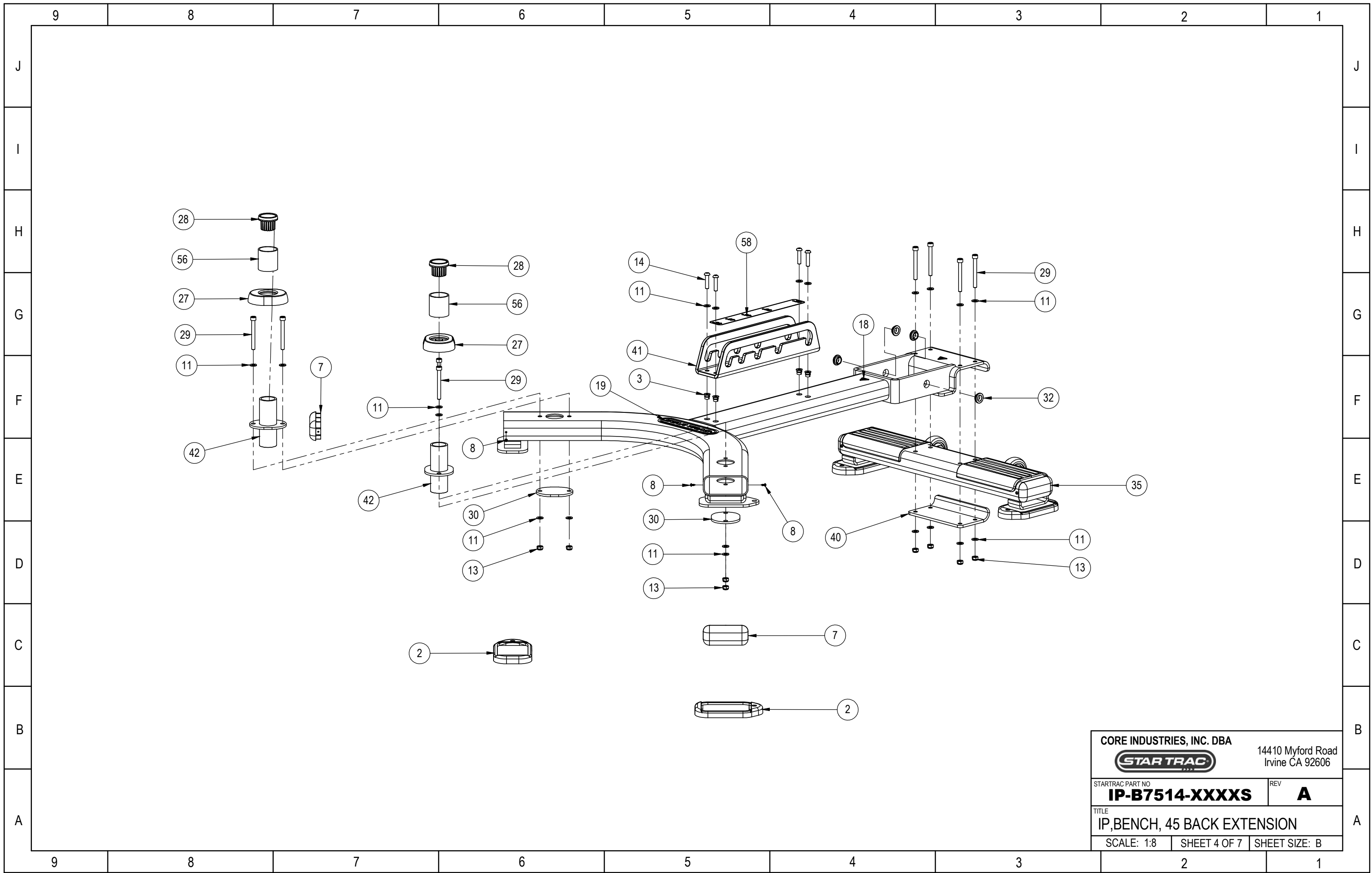
CORE INDUSTRIES, INC. DBA		14410 Myford Road Irvine CA 92606	
STARTRAC PART NO	<b>IP-B7514-XXXXS</b>		REV <b>A</b>
TITLE <b>IP,BENCH, 45 BACK EXTENSION</b>			
SCALE: 1:25	SHEET 2 OF 7	SHEET SIZE: B	



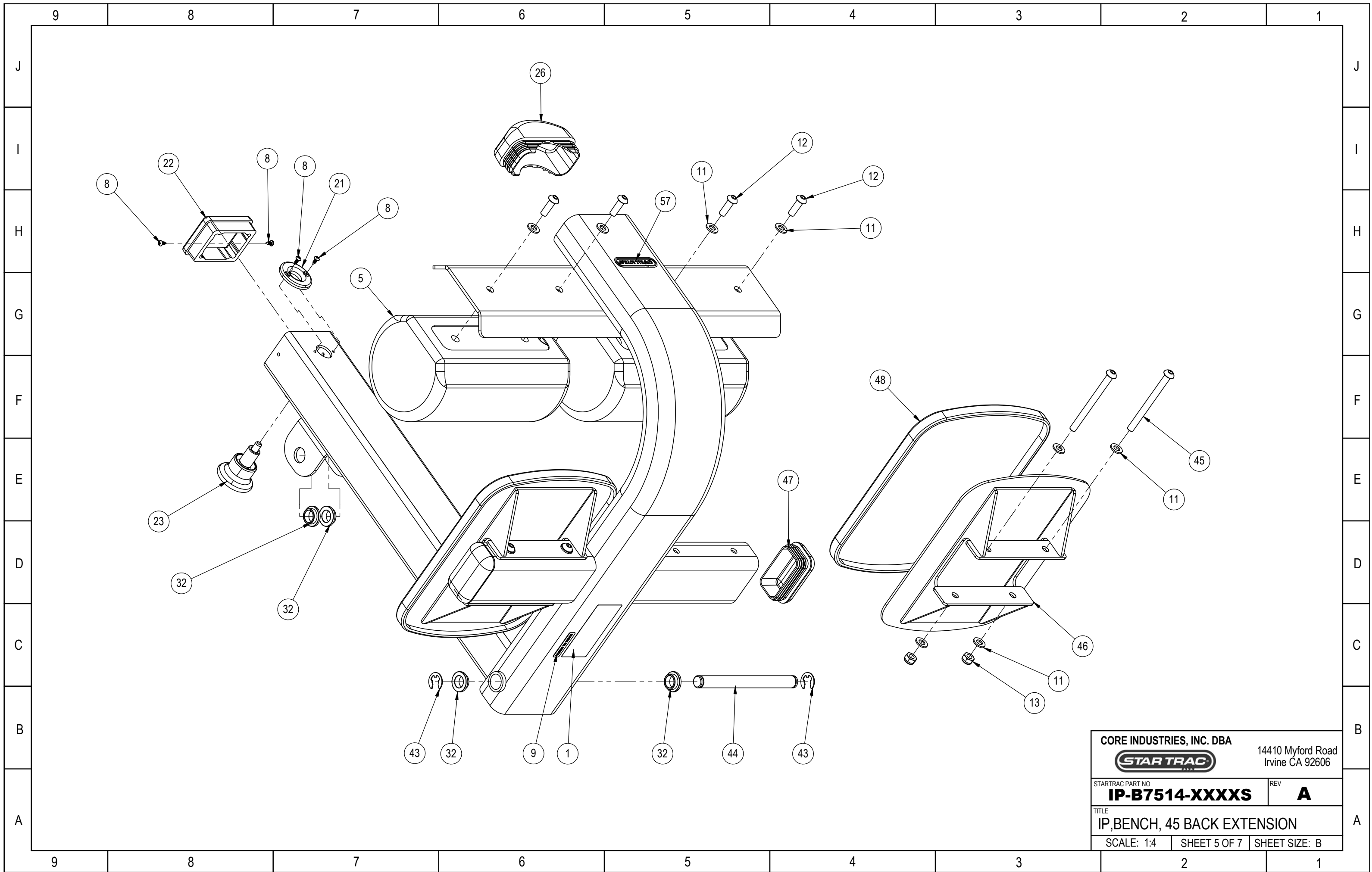
CORE INDUSTRIES, INC. DBA  
**STAR TRAC**  
 14410 Myford Road  
 Irvine CA 92606

STARTRAC PART NO  
**IP-B7514-XXXXS**  
 TITLE  
**A**

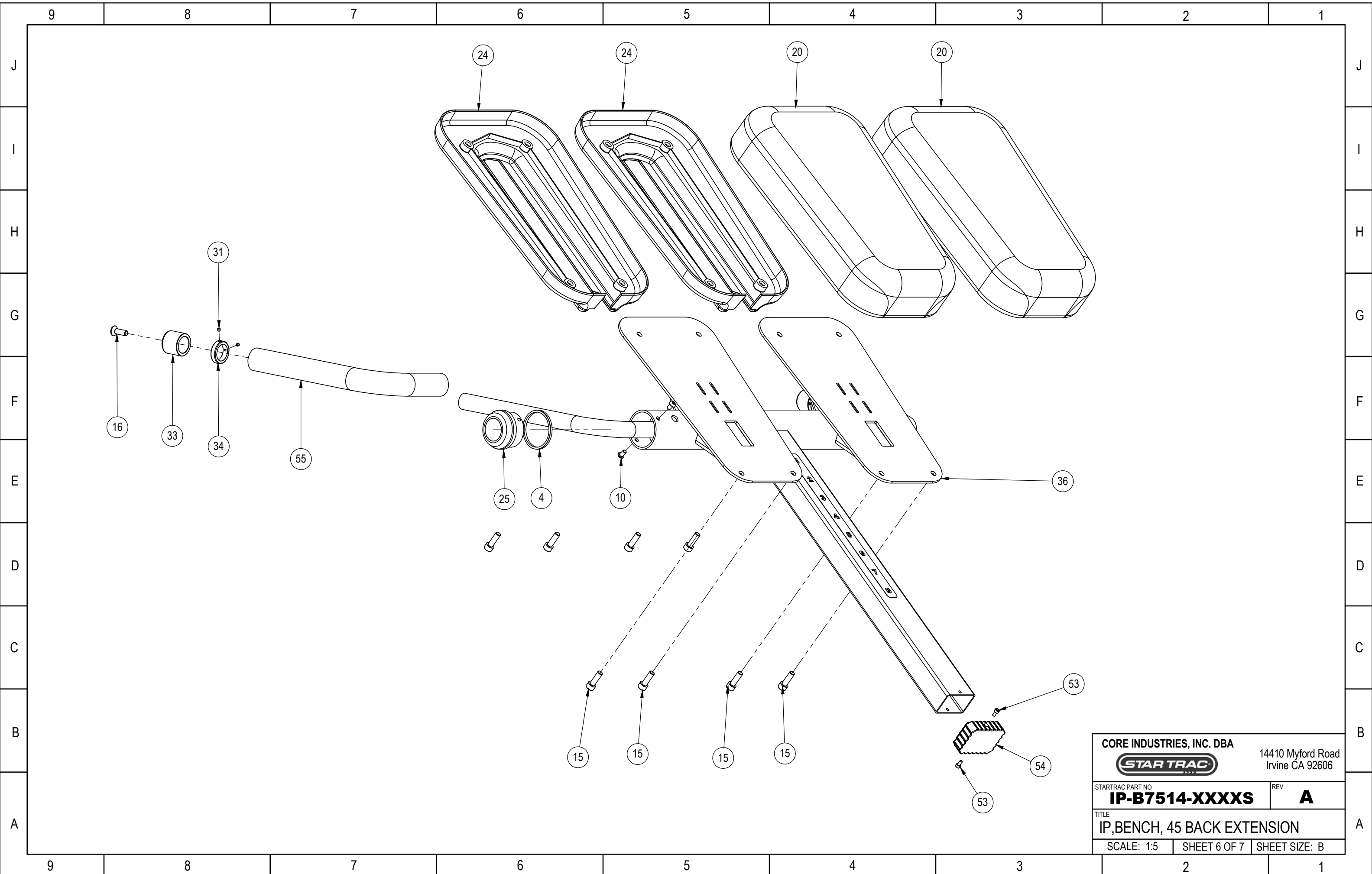
SCALE: 1:10 SHEET 3 OF 7 SHEET SIZE: B



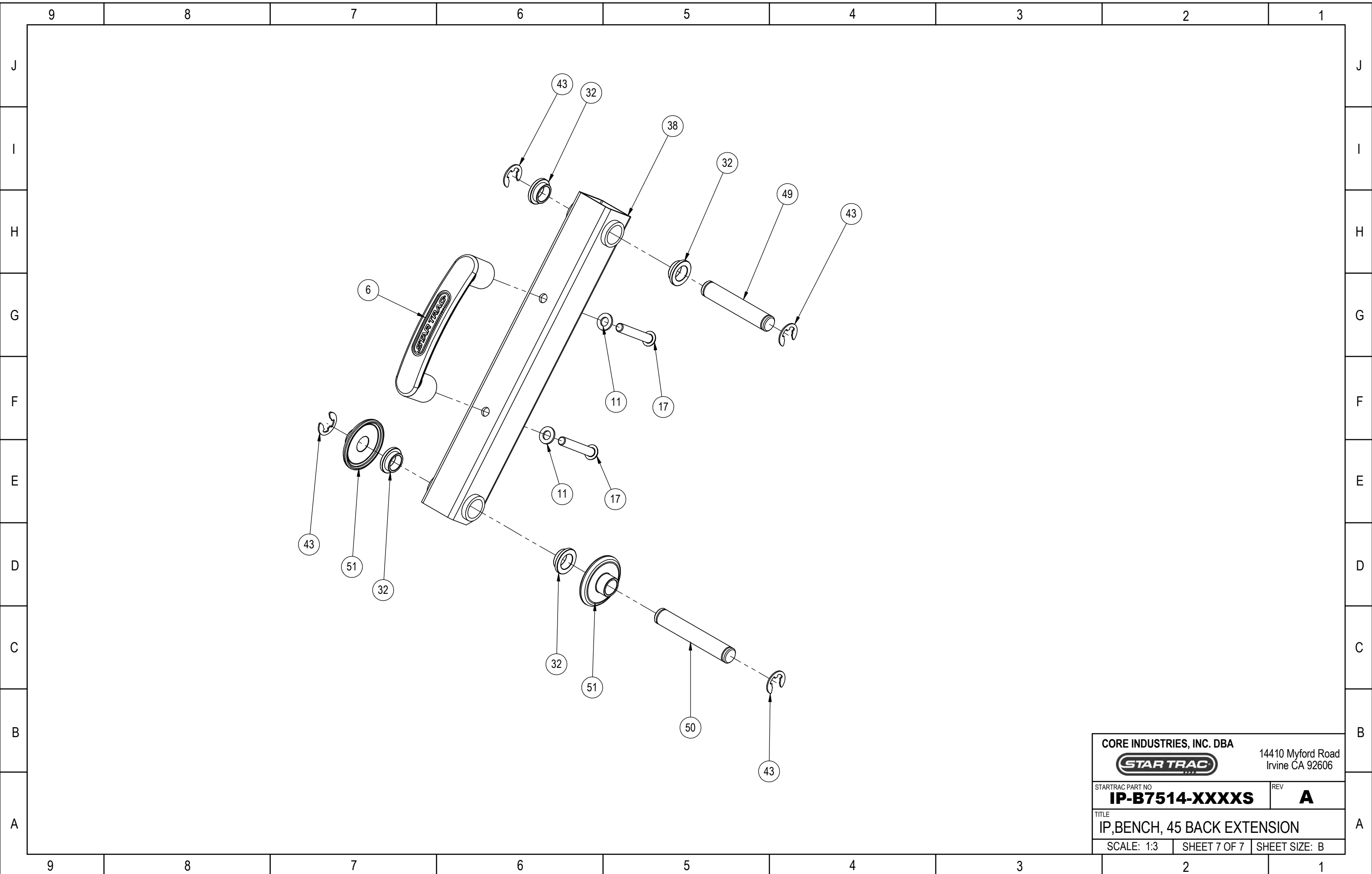
CORE INDUSTRIES, INC. DBA		14410 Myford Road Irvine CA 92606	
<b>STAR TRAC</b>			
STARTRAC PART NO	<b>IP-B7514-XXXXS</b>		REV <b>A</b>
TITLE <b>IP, BENCH, 45 BACK EXTENSION</b>			
SCALE: 1:8	SHEET 4 OF 7	SHEET SIZE: B	



CORE INDUSTRIES, INC. DBA		14410 Myford Road Irvine CA 92606	
<b>STAR TRAC</b>			
STARTRAC PART NO	<b>IP-B7514-XXXXS</b>		REV <b>A</b>
TITLE <b>IP, BENCH, 45 BACK EXTENSION</b>			
SCALE: 1:4	SHEET 5 OF 7	SHEET SIZE: B	



CORE INDUSTRIES, INC. DBA		14410 Myford Road Irvine CA 92606	
<b>STAR TRAC</b>			
STARTRAC PART NO	<b>IP-B7514-XXXXS</b>		REV <b>A</b>
TITLE <b>IP, BENCH, 45 BACK EXTENSION</b>			
SCALE: 1:5	SHEET 6 OF 7	SHEET SIZE: B	



CORE INDUSTRIES, INC. DBA  
**STAR TRAC**  
 14410 Myford Road  
 Irvine CA 92606

STARTRAC PART NO  
**IP-B7514-XXXXS**  
 TITLE  
**IP, BENCH, 45 BACK EXTENSION**

SCALE: 1:3 SHEET 7 OF 7 SHEET SIZE: B  
 REV **A**