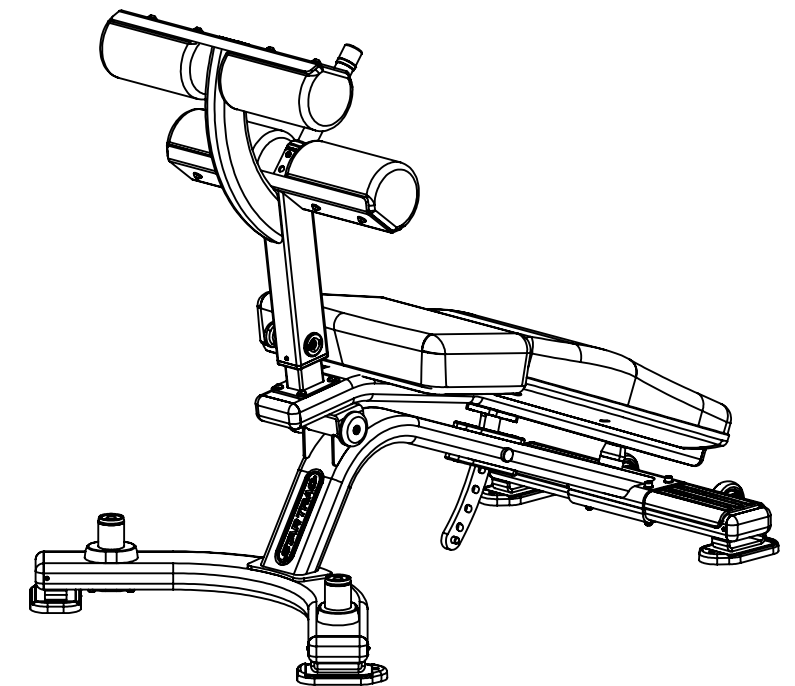
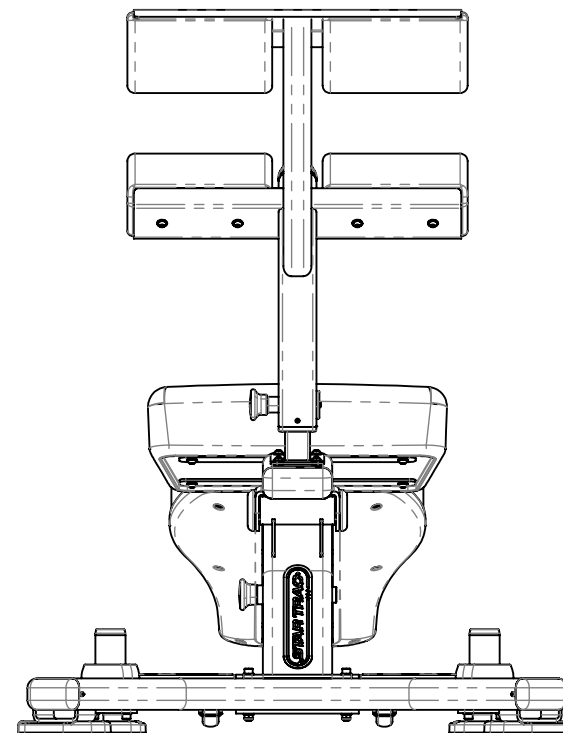
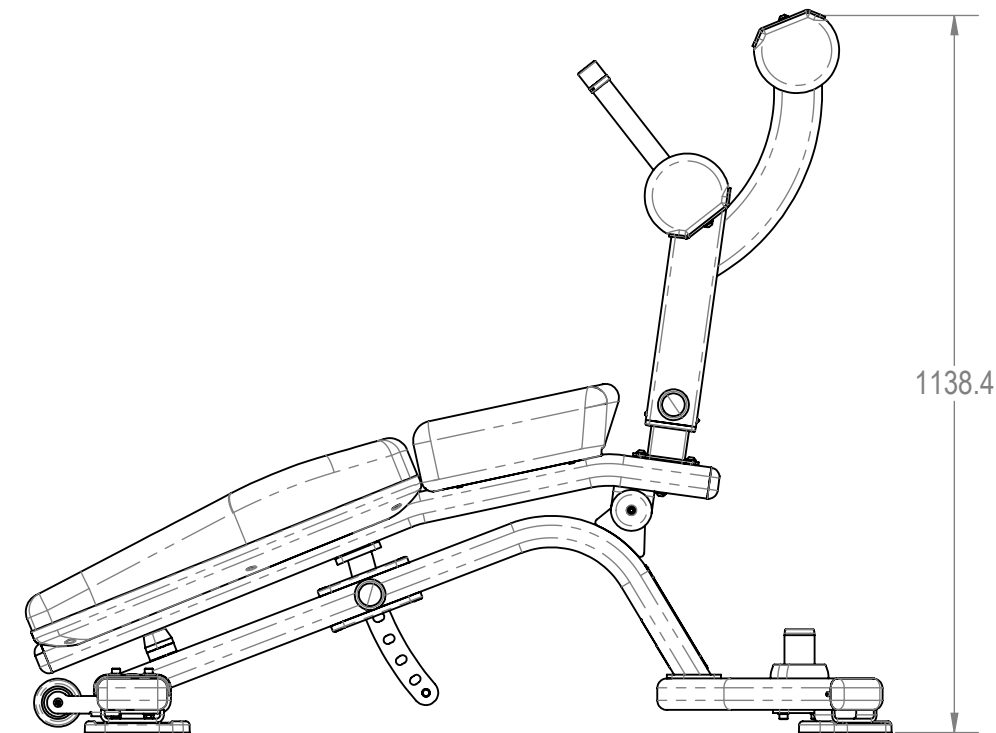
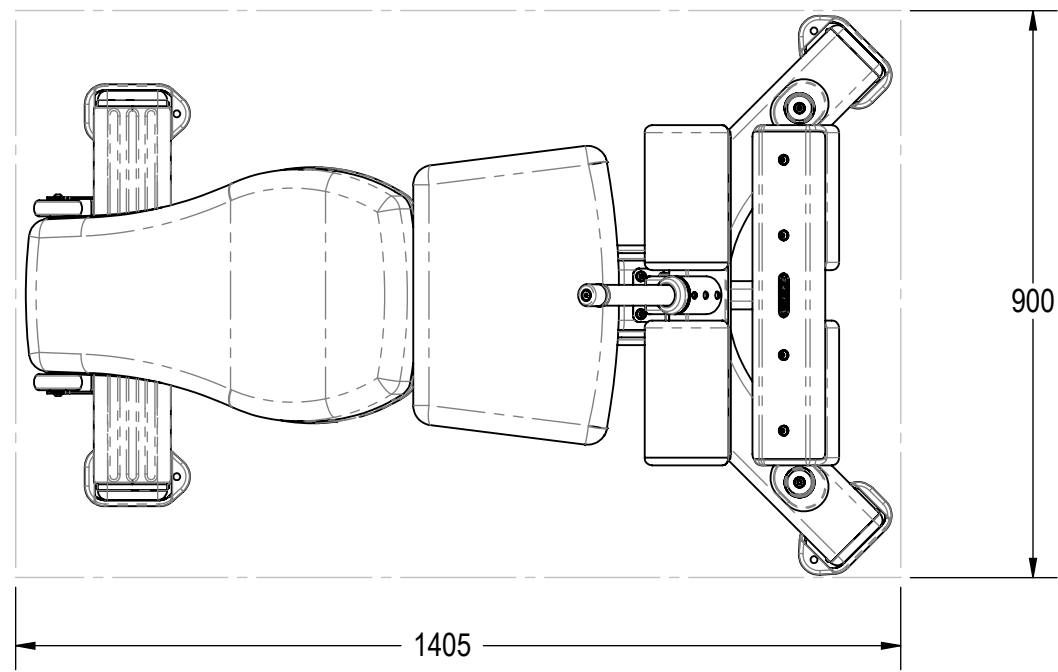


REVISION HISTORY				
REV	DATE	DESCRIPTION	ECO	BY
A	01/12/2011	RELEASE FOR PRODUCTION	13465	RLH
B	7/20/2011	IS 5 HOLE WAS 7 HOLE	13311	RLH
C	11/02/2011	UPDATE THE DESIGN ON THE ABDOMINAL BENCH	13580	CLK



NOTICE OF PROPRIETARY INFORMATION
 THIS DOCUMENT SHALL NOT BE REPRODUCED NOR SHALL THE INFORMATION CONTAINED HEREIN BE USED BY OR DISCLOSED TO OTHER EXCEPT AS EXPRESSLY AUTHORIZED BY CORE INDUSTRIES, INC., D.B.A. STAR TRAC.

DOCUMENT STATUS:

- NOTES:
 1. ASSEMBLY AND INSPECTION PER S.O.P. 620-7918.

CLASS OF WORK	UNLESS OTHERWISE SPECIFIED DIMS ARE IN mm. TOLERANCES FOR MEASURE OF LENGTH ARE:							ANGLES = ±2°		
	0.5 to 3	> 3 to 6	> 6 to 30	> 30 to 120	> 120 to 400	> 400 to 1000	> 1000 to 2000	> 2000		
FINE	±0.05	±0.05	±0.1	±0.15	±0.2	±0.3	±0.5	----		
MEDIUM X	±0.1	±0.1	±0.2	±0.3	±0.5	±0.8	±1.2	±2		
COARSE	±0.2	±0.3	±0.5	±0.8	±1.2	±2	±3	±4		
VERY COARSE	----	±0.5	±1	±1.5	±2.5	±4	±6	±8		

MATERIAL
SEE BOM

FINISH
SEE NOTES

VENDOR: N/A

P/N: N/A

THIRD ANGLE PROJECTION



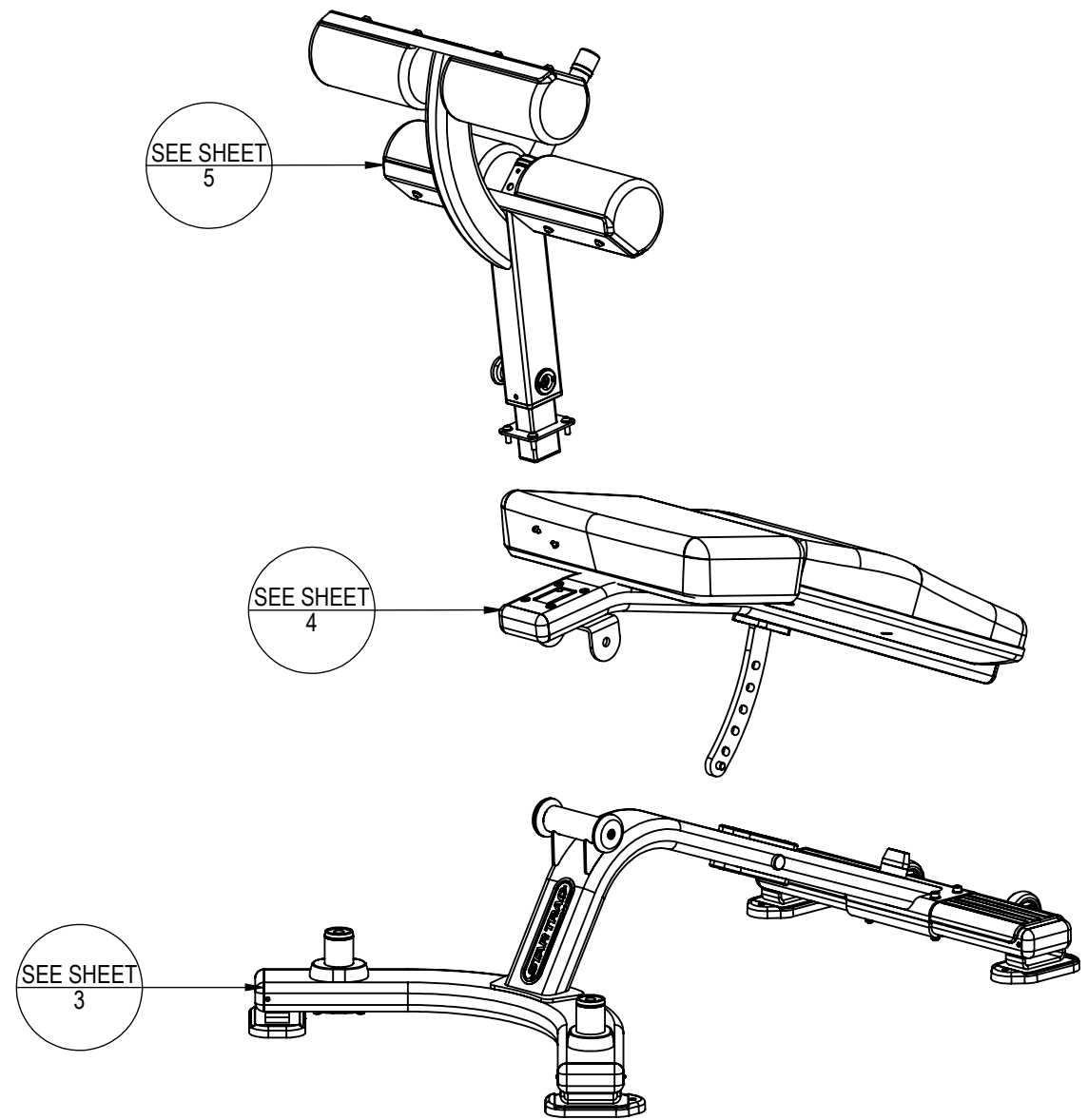
DRAWN	INITIAL RLH	DATE 12/22/2010
CHECKED		
APPROVED		
	U.O.M.	MM

CORE INDUSTRIES, INC. DBA
STAR TRAC
 14410 Myford Road
 Irvine CA 92606

STARTRAC PART NO	REV
IP-B7510-XXXXS	C
TITLE ASSY,BENCH,ABDOMINAL	
SCALE: 1:12	SHEET 1 OF 5 SHEET SIZE: B

9	8	7	6	5	4	3	2	1
ITEM NO.	PART NUMBER	DESCRIPTION	QTY.	ITEM NO.	PART NUMBER	DESCRIPTION	QTY.	
J	1	050-2125-10	STICKER,SERIAL NUMBER,BENCHES	1	51	731-2104-XX	WELD,BASE,FRAME,AB BENCH	1
	2	731-0021	SHOE, 75X147.7	2	52	731-2105	SHAFT,PIVOT,AB BENCH	1
	3	731-0033	NUT, RIVET,M8 X 1.25	10	53	731-2300-00XX	ASSY,BACK REST,STD,NO STRIP	1
	4	731-0040	STOP,Ø50X26,RUBBER	1	54	731-2416	STICKER,STARTRAC,70MM,DECO	1
	5	731-0057	RING, BEAUTY, GRIP BASE	1	55	731-2897	STICKER,ADJ,1-6,AB	1
I	6	731-0130	BEARING,15mm BORE,35MM OD,11MM	2	56	731-4442	SPACER, DECLINE BENCH	1
	7	731-0173-00XX	ASSY,KNEE PAD,STD	4				
	8	731-0209	CAP, END, 110 X 50	4				
	9	731-0225	SCREW,M3.5 X 9.5,SELF TAPPING	8				
H	10	731-0335	STICKER, MADE IN CHINA, IP	1				
	11	731-0352	SCREW,M6X0.8,10MM,BHC,HK	2				
	12	731-0355	WASHER,PLAIN,M8,NARROW	36				
	13	731-0359	SCREW,M8 X 1.25,25mm,BHC,HK	18				
	14	731-0365	NUT,M8 X 1.25,NYLOC JAM	8				
	15	731-0389	SCREW,M8 X 1.25,35mm,BHC,HK	2				
G	16	731-0390	SCREW,M8 X 1.25,25mm,SHC,HK	8				
	17	731-0397	SCREW,M8 X 1.25,25mm,FHM,HK	5				
	18	731-0513	STICKER,STAR TRAC,DECO,45MMX191MM	1				
	19	731-0550-01	COVER,SEAT BACK,STD.,LEFT	1				
F	20	731-0550-02	COVER, SEAT BACK, STD, RIGHT	1				
	21	731-0637	RING,BEAUTY,ADJ,PAD	1				
	22	731-0638	SUPPORT,TUBE,ADJ,CHEST	1				
E	23	731-0652	ASSY,PULL PIN,ADJ,RED	1				
	24	731-0963	BASE, HANDLE GRIP, ARMS, 35MM	1				
	25	731-1020	PLASTIC, SEAT BOTTOM , LEG MACHINE	1				
	26	731-1195	CAP,UPHOLSTERY,PLASTIC	1				
	27	731-1226-00XX	ASSY, SEAT BOTTOM, SLP	1				
	28	731-1265	CAP,END,65MM,NO GROOVE	2				
	29	731-1373	BUMPER,STOP,WGT	2				
D	30	731-1374	RUBBER,END CAP, WEIGHT HORN	2				
	31	731-1450	SCREW,M8 X 1.25,75mm,SHC,HK,AS,ZP	8				
	32	731-1456-01	PLATE,MOUNT,WGT HOLDER,BLANK	2				
	33	731-1458-XX	BRACKET,BOTTOM,FOOT,WT STORAGE	1				
	34	731-1785	SCREW,SET,M4X.7,4MM	2				
	35	731-1904	END CAP	1				
	36	731-1917	TRIM RING,GRIP	1				
	37	731-1983	ASSY,WIDE FOOT,BENCH	1				
C	38	731-1994	PULL PIN,LARGE	1				
	39	731-1995	SCREW,M5,SHEET METAL	4				
	40	731-1996	PLASTIC,TRIM RING,ROM	2				
	41	731-2002	MACHINE WASHER, 1MM THICK	2				
B	42	731-2065	TUBE,WGT SUPPORT,HYPER	2				
	43	731-2079	SCREW,M4 X .7,8MM,SHC,HK,NP	2				
	44	731-2080	BUMPER,ADJ,HYPER	1				
	45	731-2082	COVER,WGT HOLDER,1 PLATE	2				
	46	731-2090-XX	WELD,CALF,ADJ,AB BENCH	1				
	47	731-2094-XX	WELD,CALF,ADJ,HOLES,AB BENCH	1				
	48	731-2095	GRIP,HANDLE,AB BENCH	1				
A	49	731-2097	WELD,ADJ,HOLES,AB BENCH	1				
	50	731-2100-XX	WELD,BACK SUPPORT,AB BENCH	1				

ITEM NO.	PART NUMBER	DESCRIPTION	QTY.
51	731-2104-XX	WELD,BASE,FRAME,AB BENCH	1
52	731-2105	SHAFT,PIVOT,AB BENCH	1
53	731-2300-00XX	ASSY,BACK REST,STD,NO STRIP	1
54	731-2416	STICKER,STARTRAC,70MM,DECO	1
55	731-2897	STICKER,ADJ,1-6,AB	1
56	731-4442	SPACER, DECLINE BENCH	1

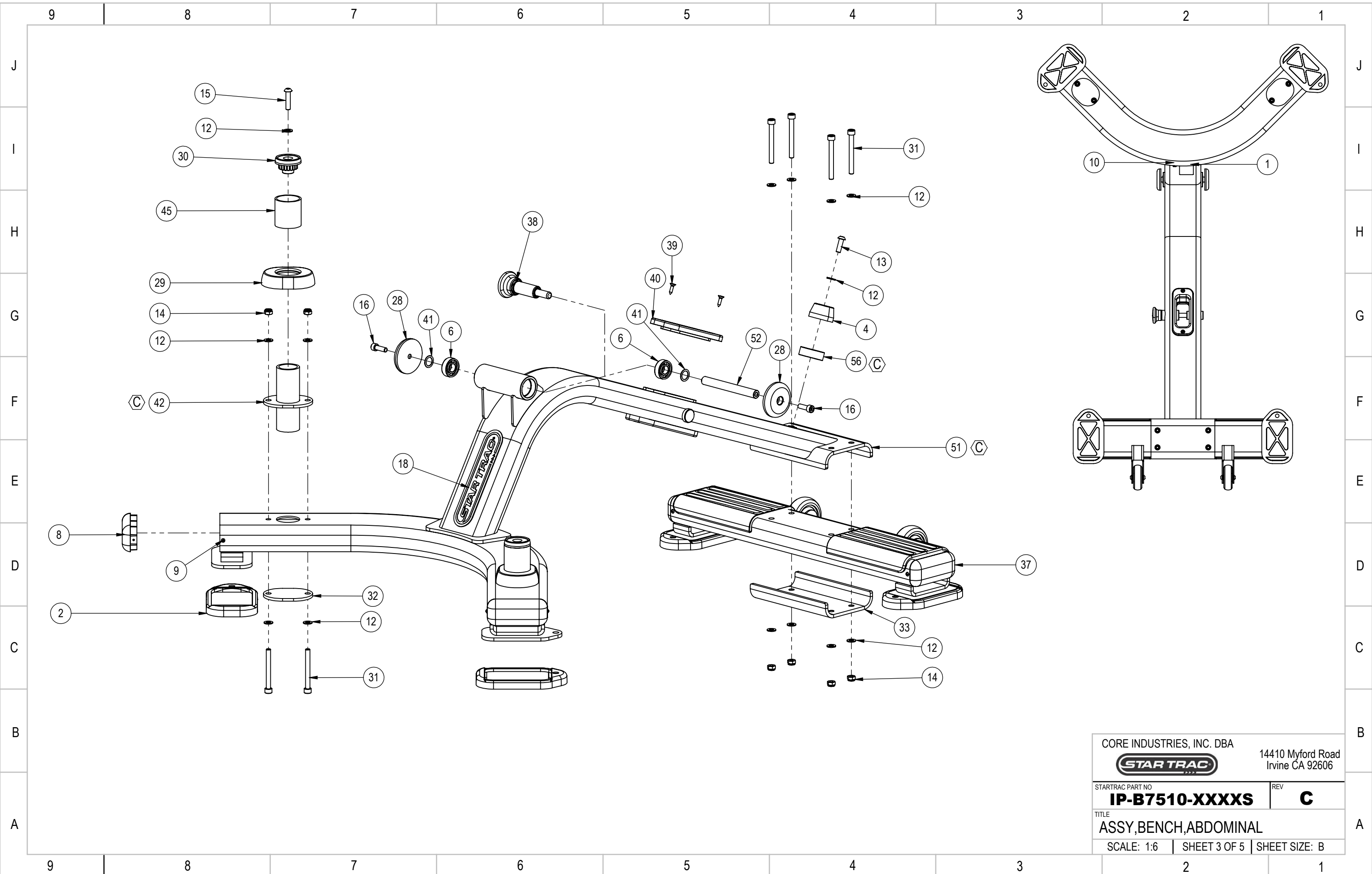


CORE INDUSTRIES, INC. DBA
STARTRAC
 14410 Myford Road
 Irvine CA 92606

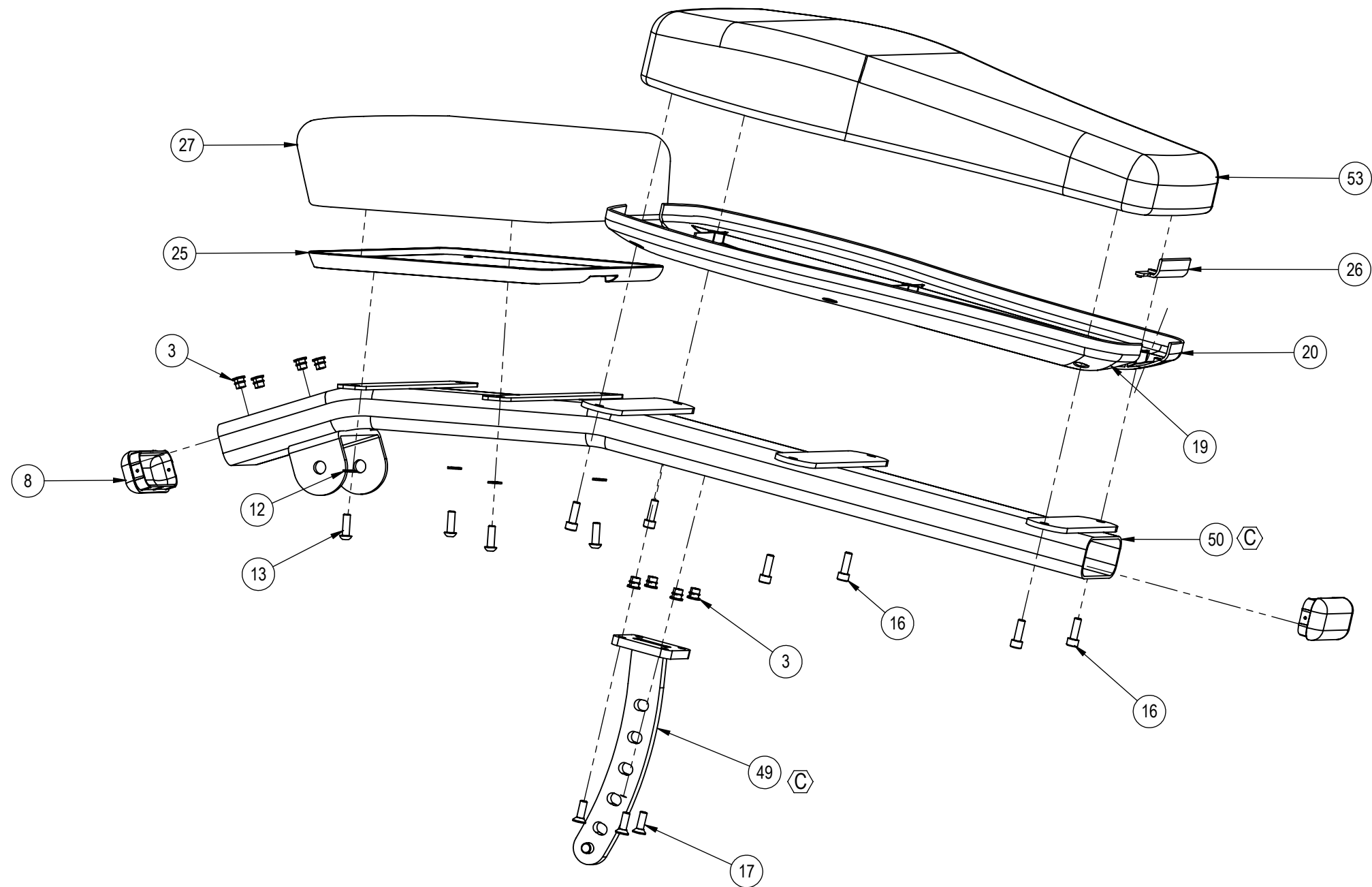
STARTRAC PART NO
IP-B7510-XXXXS
 TITLE
ASSY,BENCH,ABDOMINAL

REV
C

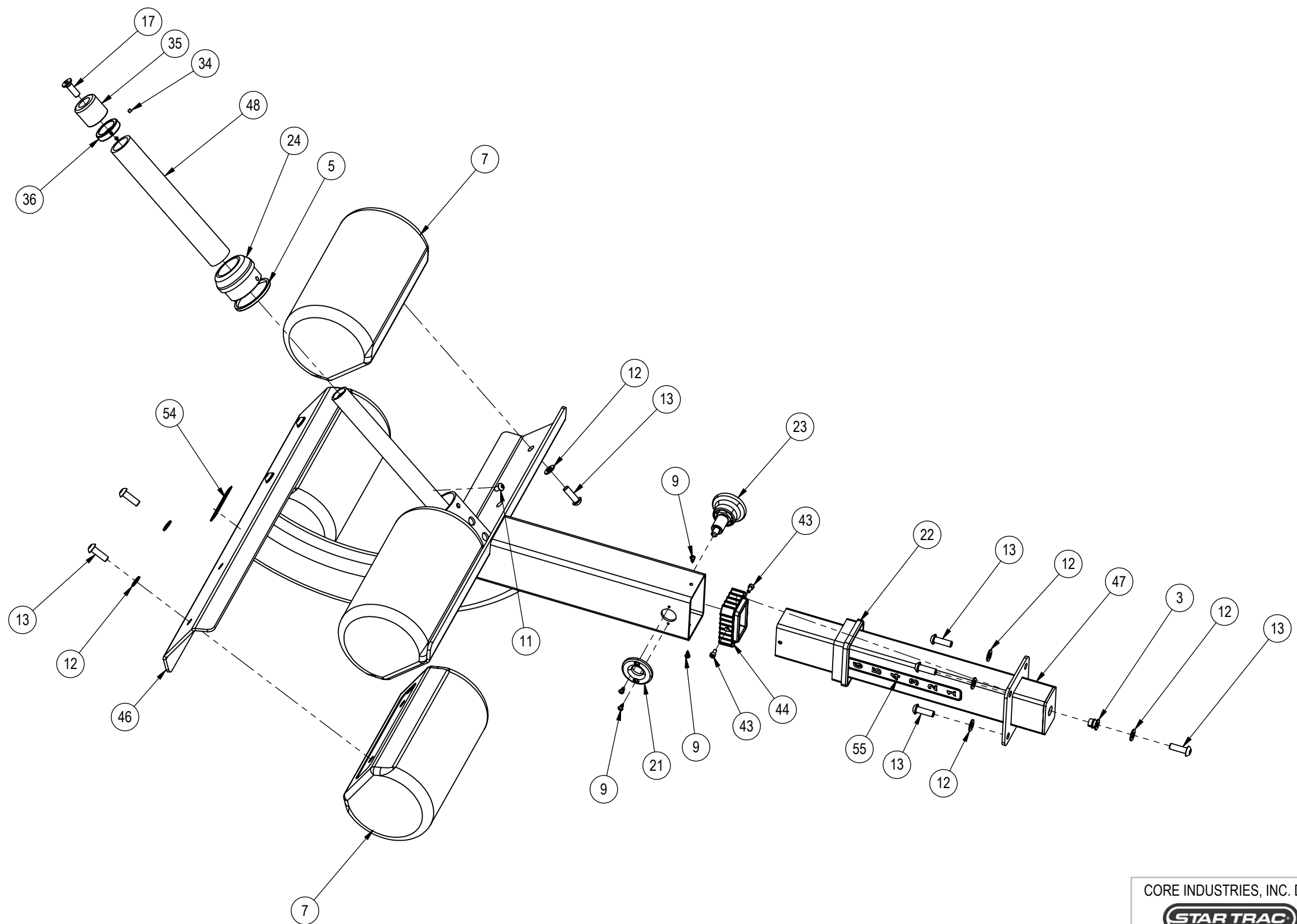
SCALE: 1:12 | SHEET 2 OF 5 | SHEET SIZE: B



CORE INDUSTRIES, INC. DBA		14410 Myford Road Irvine CA 92606	
STARTRAC PART NO	IP-B7510-XXXXS		REV C
TITLE ASSY,BENCH,ABDOMINAL			
SCALE: 1:6	SHEET 3 OF 5	SHEET SIZE: B	



CORE INDUSTRIES, INC. DBA		14410 Myford Road
STAR TRAC		Irvine CA 92606
STARTRAC PART NO	REV	
IP-B7510-XXXXS	C	
TITLE		
ASSY,BENCH,ABDOMINAL		
SCALE: 1:6	SHEET 4 OF 5	SHEET SIZE: B



CORE INDUSTRIES, INC. DBA
STARTRAC
 14410 Myford Road
 Irvine CA 92606

STARTRAC PART NO
IP-B7510-XXXXS | REV **C**

TITLE
ASSY,BENCH,ABDOMINAL

SCALE: 1:6 | SHEET 5 OF 5 | SHEET SIZE: B