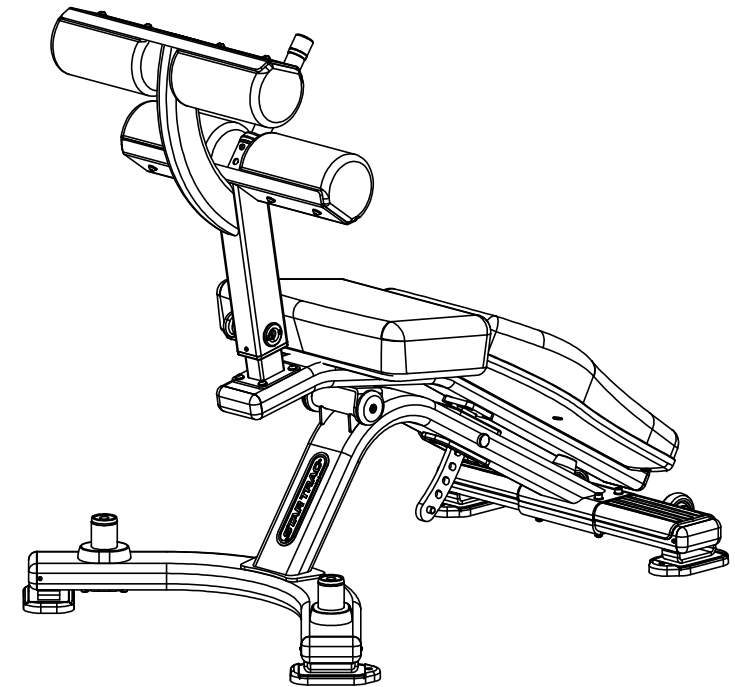
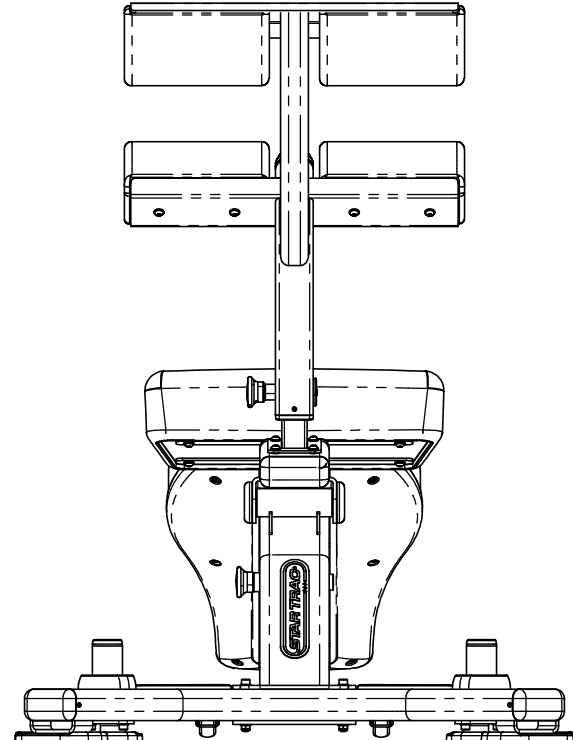
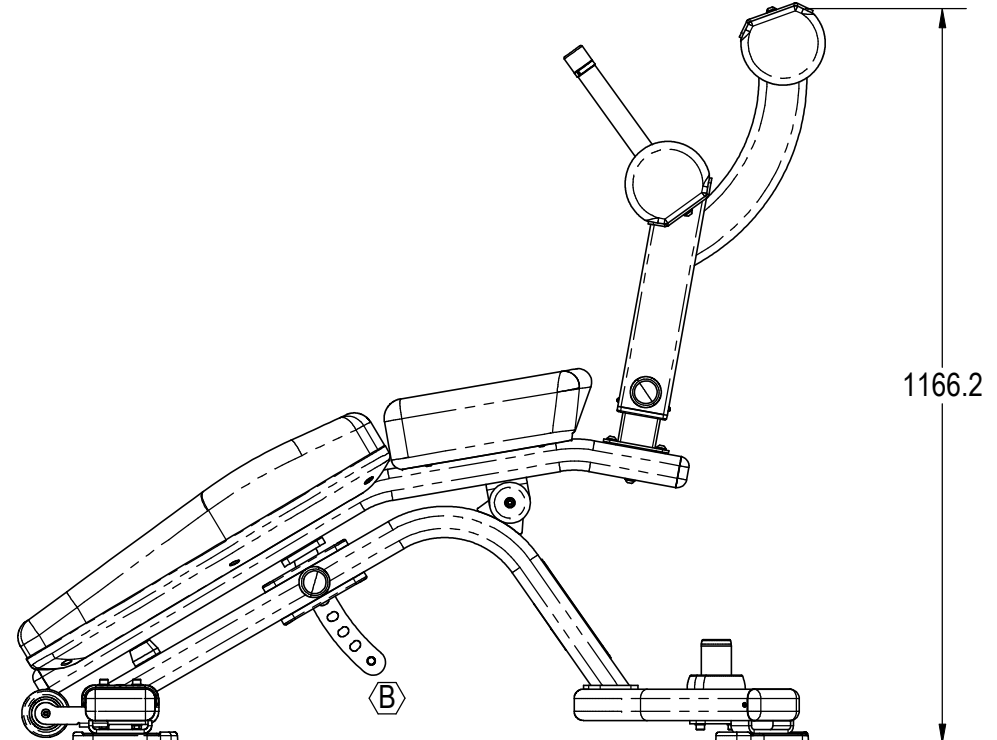
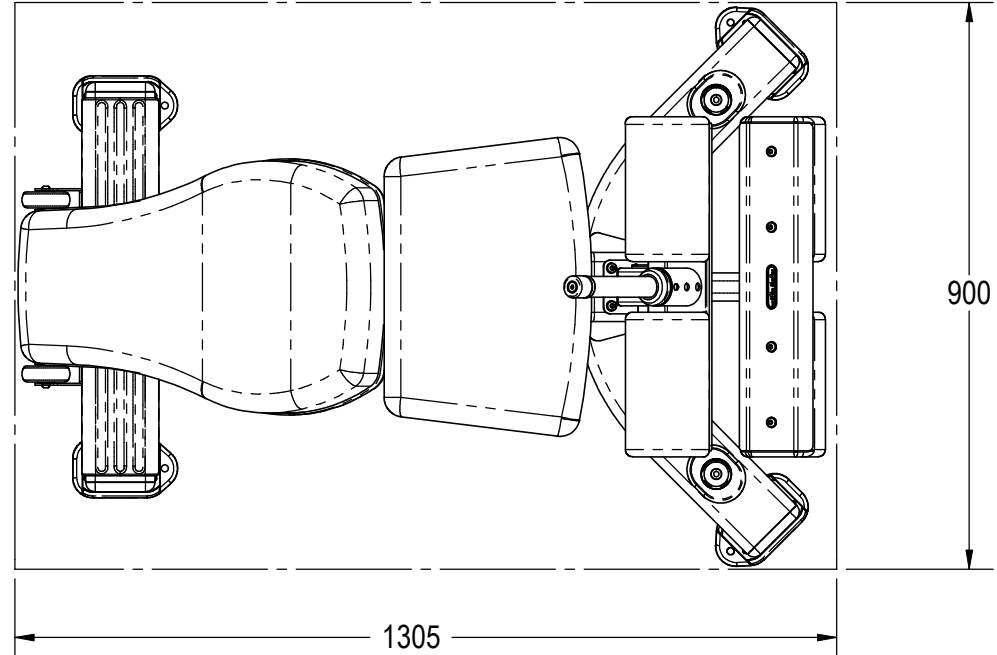


REVISION HISTORY				
REV	DATE	DESCRIPTION	ECO	BY
A	01/12/2011	RELEASE FOR PRODUCTION	13465	RLH
B	7/20/2011	IS 5 HOLE WAS 7 HOLE	13311	RLH



NOTICE OF PROPRIETARY INFORMATION  
 THIS DOCUMENT SHALL NOT BE REPRODUCED NOR SHALL THE INFORMATION CONTAINED HEREIN BE USED BY OR DISCLOSED TO OTHER EXCEPT AS EXPRESSLY AUTHORIZED BY CORE INDUSTRIES, INC., D.B.A. STAR TRAC.

**DOCUMENT STATUS:**

NOTES:

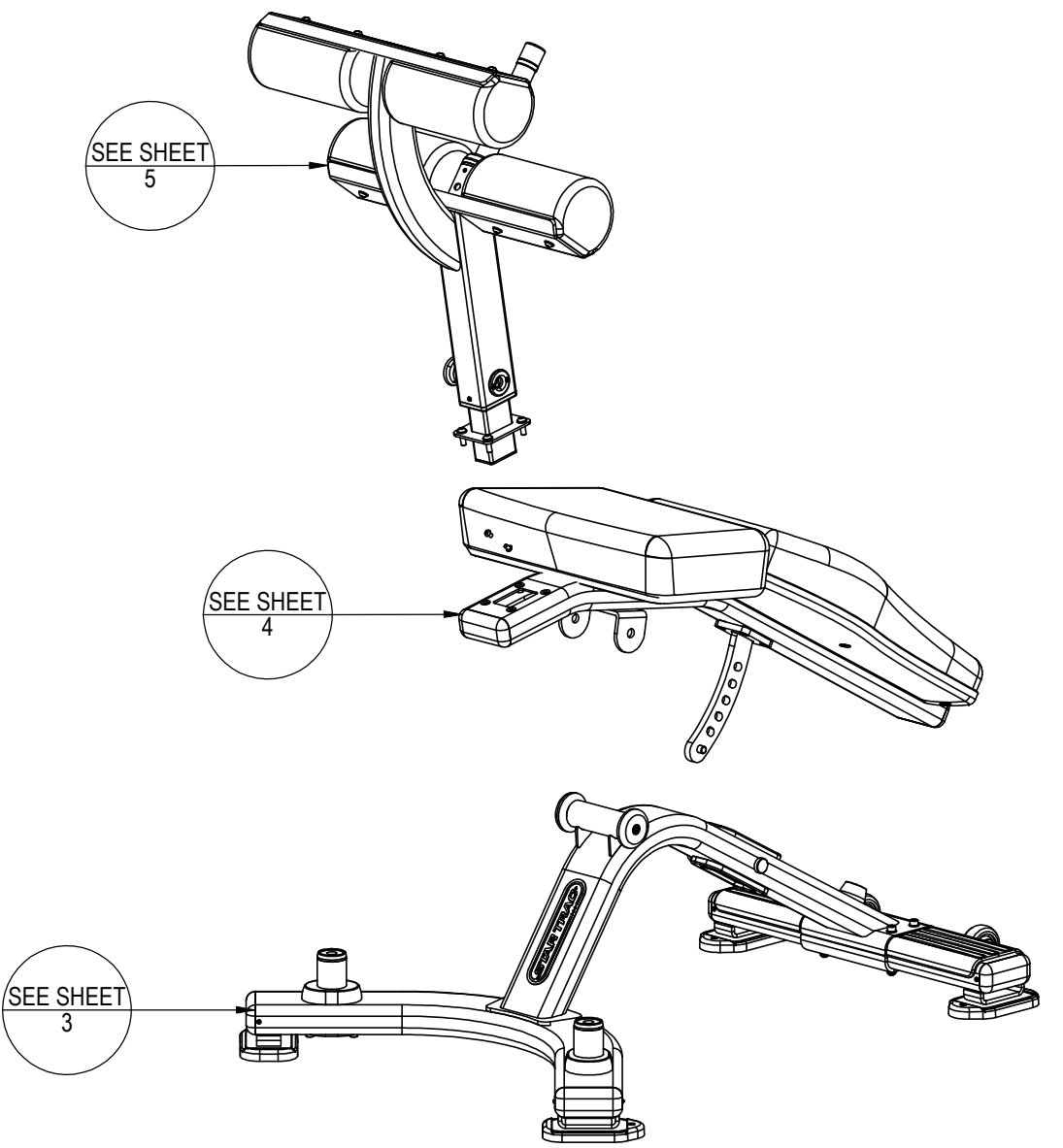
CLASS OF WORK	UNLESS OTHERWISE SPECIFIED DIMS ARE IN mm. TOLERANCES FOR MEASURE OF LENGTH ARE:							ANGLES = ±2°
	0.5 to 3	>3 to 6	>6 to 30	>30 to 120	>120 to 400	>400 to 1000	>1000 to 2000	
FINE	±0.05	±0.05	±0.1	±0.15	±0.2	±0.3	±0.5	----
MEDIUM <b>X</b>	±0.1	±0.1	±0.2	±0.3	±0.5	±0.8	±1.2	±2
COARSE	±0.2	±0.3	±0.5	±0.8	±1.2	±2	±3	±4
VERY COARSE	----	±0.5	±1	±1.5	±2.5	±4	±6	±8

<b>MATERIAL</b> SEE BOM	<b>THIRD ANGLE PROJECTION</b> 									
<b>FINISH</b> SEE NOTES	<table border="1"> <tr> <td>DRAWN</td> <td>INITIAL</td> <td>DATE</td> </tr> <tr> <td>CHECKED</td> <td>RLH</td> <td>12/22/2010</td> </tr> <tr> <td>APPROVED</td> <td></td> <td></td> </tr> </table>	DRAWN	INITIAL	DATE	CHECKED	RLH	12/22/2010	APPROVED		
DRAWN	INITIAL	DATE								
CHECKED	RLH	12/22/2010								
APPROVED										
VENDOR: <b>N/A</b>	P/N: <b>N/A</b>									

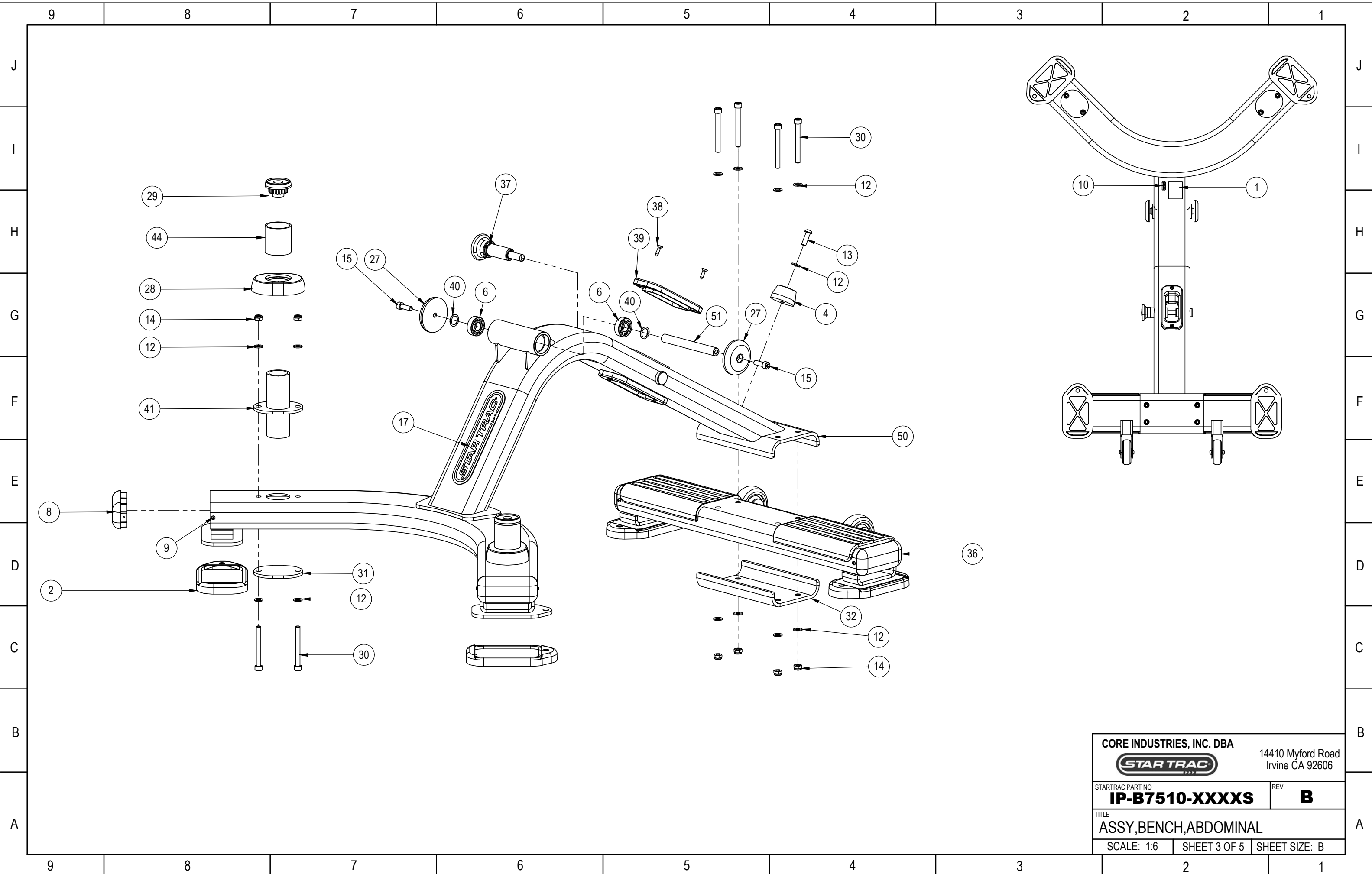
<b>CORE INDUSTRIES, INC. DBA</b> 		14410 Myford Road Irvine CA 92606	
STARTRAC PART NO	REV	TITLE	
<b>IP-B7510-XXXXS</b>	<b>B</b>	<b>ASSY, BENCH, ABDOMINAL</b>	
SCALE: 1:12	SHEET 1 OF 5	SHEET SIZE: B	

9	8	7	6	5	4	3	2	1
J	ITEM NO.	PART NUMBER	DESCRIPTION	QTY.	ITEM NO.	PART NUMBER	DESCRIPTION	QTY.
	1	050-2125-10	STICKER,SERIAL NUMBER,BENCHES	1	51	731-2105	SHAFT,PIVOT,AB BENCH	1
	2	731-0021	SHOE, 75X147.7	2	52	731-2300-00XX	ASSY,BACK REST,STD,NO STRIP	1
	3	731-0033	NUT, RIVET,M8 X 1.25	10	53	731-2416	STICKER,STARTRAC,70MM,DECO	1
	4	731-0040	STOP,Ø50X26,RUBBER	1	54	731-2897	STICKER,ADJ,1-6,AB	1
	5	731-0057	RING, BEAUTY, GRIP BASE	1				
I	6	731-0130	BEARING,15mm BORE,35MM OD,11MM	2				
	7	731-0173-00XX	ASSY,KNEE PAD,STD	4				
	8	731-0209	CAP, END, 110 X 50	4				
	9	731-0225	SCREW,M3.5 X 9.5,SELF TAPPING	8				
H	10	731-0335	STICKER, MADE IN CHINA, IP	1				
	11	731-0352	SCREW,M6X0.8,10MM,BHC,HK	2				
	12	731-0355	WASHER,PLAIN,M8,NARROW	34				
	13	731-0359	SCREW,M8 X 1.25,25mm,BHC,HK	18				
	14	731-0365	NUT,M8 X 1.25,NYLOC JAM	8				
	15	731-0390	SCREW,M8 X 1.25,25mm,SHC,HK	8				
	16	731-0397	SCREW,M8 X 1.25,25mm,FHM,HK	5				
G	17	731-0513	STICKER,STAR TRAC,DECO,45MMX191MM	1				
	18	731-0550-01	COVER,SEAT BACK,STD.,LEFT	1				
	19	731-0550-02	COVER, SEAT BACK, STD, RIGHT	1				
	20	731-0637	RING,BEAUTY,ADJ,PAD	1				
F	21	731-0638	SUPPORT,TUBE,ADJ,CHEST	1				
	22	731-0652	ASSY,PULL PIN,ADJ,RED	1				
	23	731-0963	BASE, HANDLE GRIP, ARMS, 35MM	1				
	24	731-1020	PLASTIC, SEAT BOTTOM , LEG MACHINE	1				
	25	731-1195	CAP,UPHOLSTERY,PLASTIC	1				
E	26	731-1226-00XX	ASSY, SEAT BOTTOM, SLP	1				
	27	731-1265	CAP,END,65MM,NO GROOVE	2				
	28	731-1373	BUMPER,STOP,WGT	2				
	29	731-1374	RUBBER,END CAP, WEIGHT HORN	2				
	30	731-1450	SCREW,M8 X 1.25,75mm,SHC,HK,AS,ZP	8				
	31	731-1456-01	PLATE,MOUNT,WGT HOLDER,BLANK	2				
D	32	731-1458-XX	BRACKET,BOTTOM,FOOT,WT STORAGE	1				
	33	731-1785	SCREW,SET,M4X.7,4MM	2				
	34	731-1904	END CAP	1				
	35	731-1917	TRIM RING,GRIP	1				
	36	731-1983	ASSY,WIDE FOOT,BENCH	1				
C	37	731-1994	PULL PIN,LARGE	1				
	38	731-1995	SCREW,M5,SHEET METAL	4				
	39	731-1996	PLASTIC,TRIM RING,ROM	2				
	40	731-2002	MACHINE WASHER, 1MM THICK	2				
	41	731-2065	TUBE,WGT SUPPORT,HYPER	2				
	42	731-2079	SCREW,M4 X .7,8MM,SHC,HK,NP	2				
B	43	731-2080	BUMPER,ADJ,HYPER	1				
	44	731-2082	COVER,WGT HOLDER,1 PLATE	2				
	45	731-2090-XX	WELD,CALF,ADJ,AB BENCH	1				
	46	731-2094-XX	WELD,CALF,ADJ,HOLES,AB BENCH	1				
	47	731-2095	GRIP,HANDLE,AB BENCH	1				
	48	731-2097	WELD,ADJ,HOLES,AB BENCH	1				
A	49	731-2100-XX	WELD,BACK SUPPORT,AB BENCH	1				
	50	731-2104-XX	WELD,BASE,FRAME,AB BENCH	1				

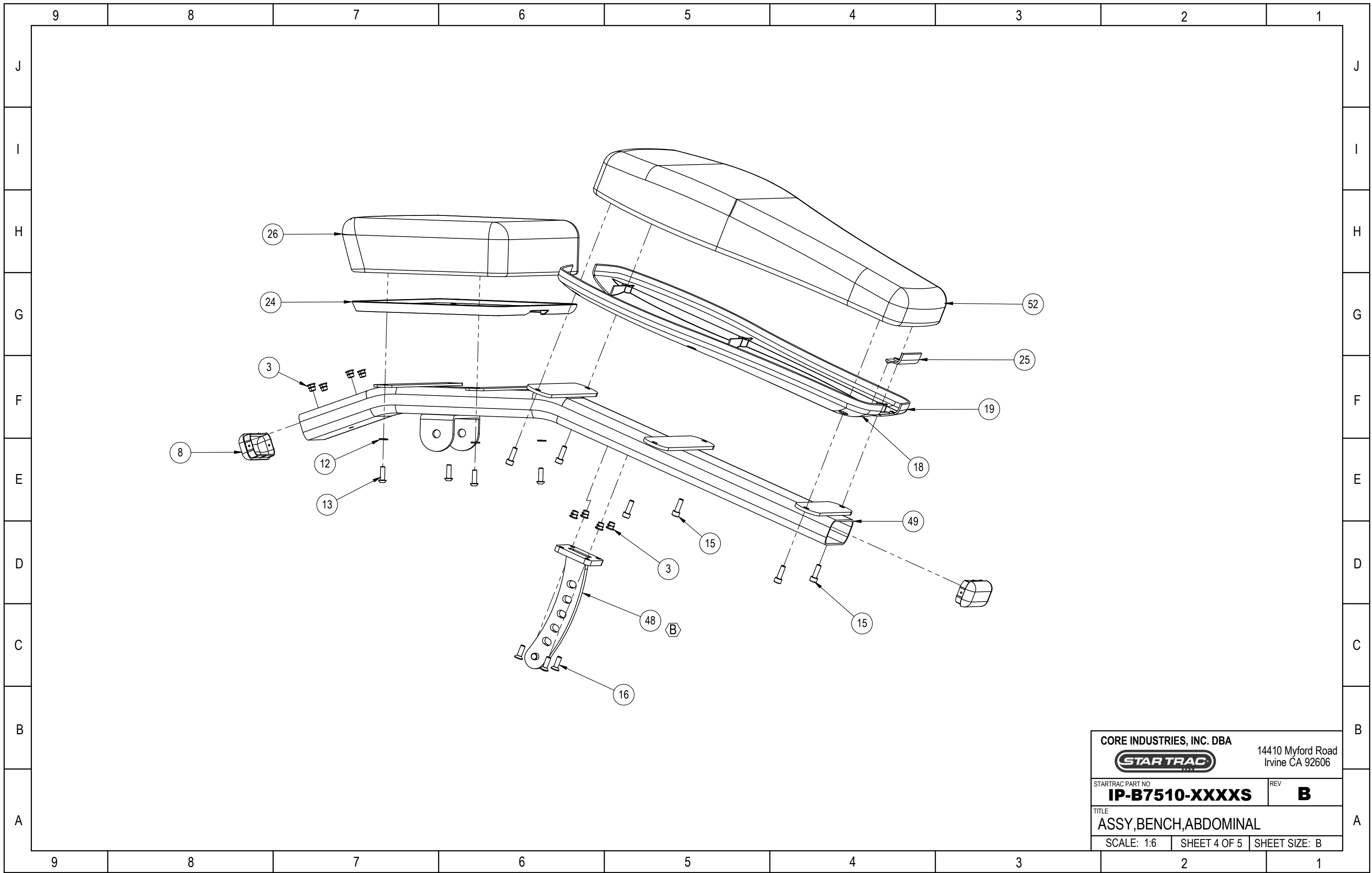
6	5	4	3	2	1
ITEM NO.	PART NUMBER	DESCRIPTION	QTY.		
51	731-2105	SHAFT,PIVOT,AB BENCH	1		
52	731-2300-00XX	ASSY,BACK REST,STD,NO STRIP	1		
53	731-2416	STICKER,STARTRAC,70MM,DECO	1		
54	731-2897	STICKER,ADJ,1-6,AB	1		



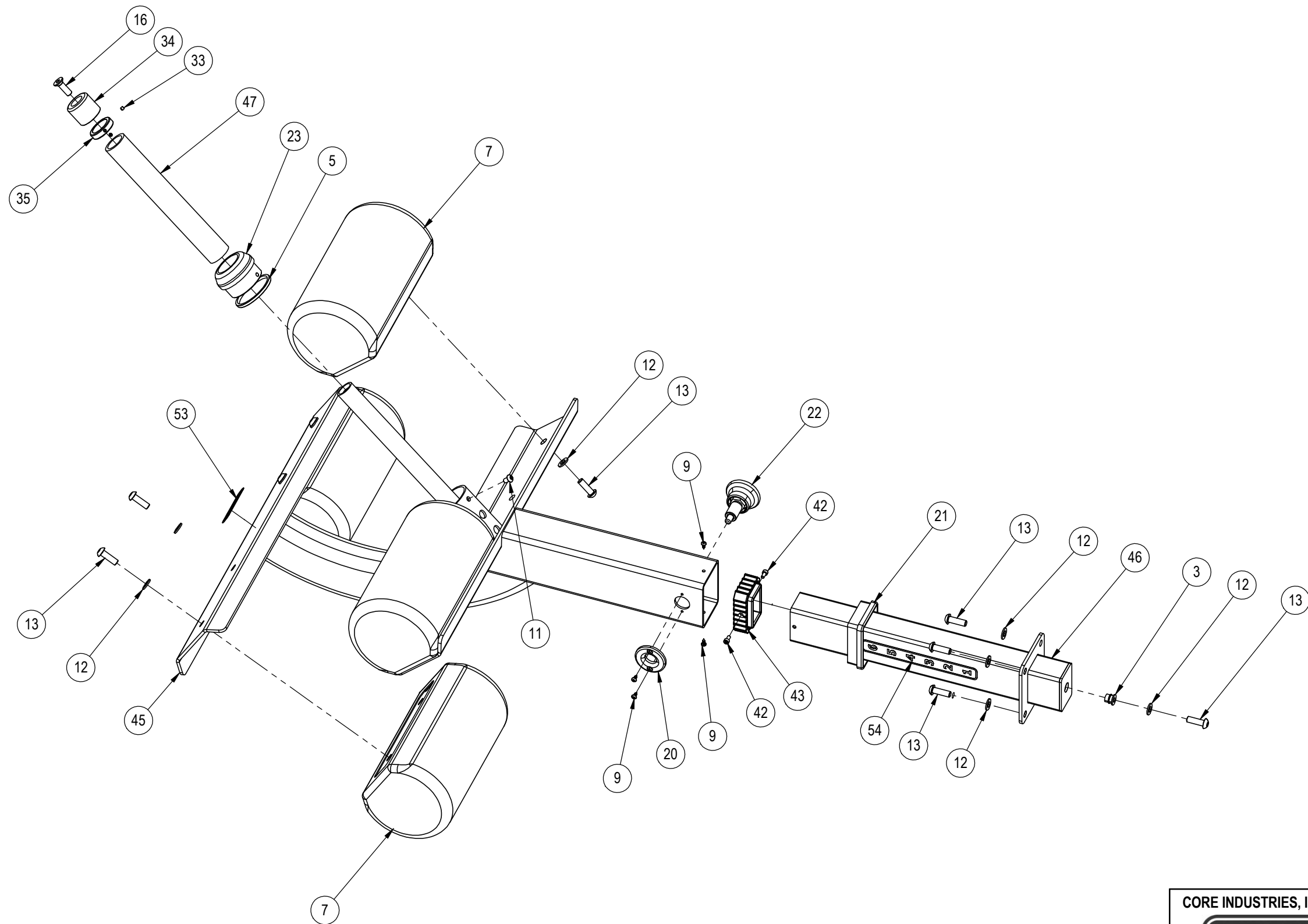
CORE INDUSTRIES, INC. DBA		14410 Myford Road
<b>STARTRAC</b>		Irvine CA 92606
STARTRAC PART NO	REV	
<b>IP-B7510-XXXXS</b>	<b>B</b>	
TITLE		
<b>ASSY,BENCH,ABDOMINAL</b>		
SCALE: 1:12	SHEET 2 OF 5	SHEET SIZE: B



CORE INDUSTRIES, INC. DBA		14410 Myford Road
		Irvine CA 92606
STARTRAC PART NO	REV	
<b>IP-B7510-XXXXS</b>	<b>B</b>	
TITLE		
ASSY, BENCH, ABDOMINAL		
SCALE: 1:6	SHEET 3 OF 5	SHEET SIZE: B



CORE INDUSTRIES, INC. DBA		14410 Myford Road
		Irvine CA 92606
STARTRAC PART NO	<b>IP-B7510-XXXXS</b>	REV <b>B</b>
TITLE ASSY,BENCH,ABDOMINAL		
SCALE: 1:6	SHEET 4 OF 5	SHEET SIZE: B



CORE INDUSTRIES, INC. DBA		14410 Myford Road
		Irvine CA 92606
STARTRAC PART NO	REV	
<b>IP-B7510-XXXXS</b>	<b>B</b>	
TITLE		
ASSY,BENCH,ABDOMINAL		
SCALE: 1:6	SHEET 5 OF 5	SHEET SIZE: B