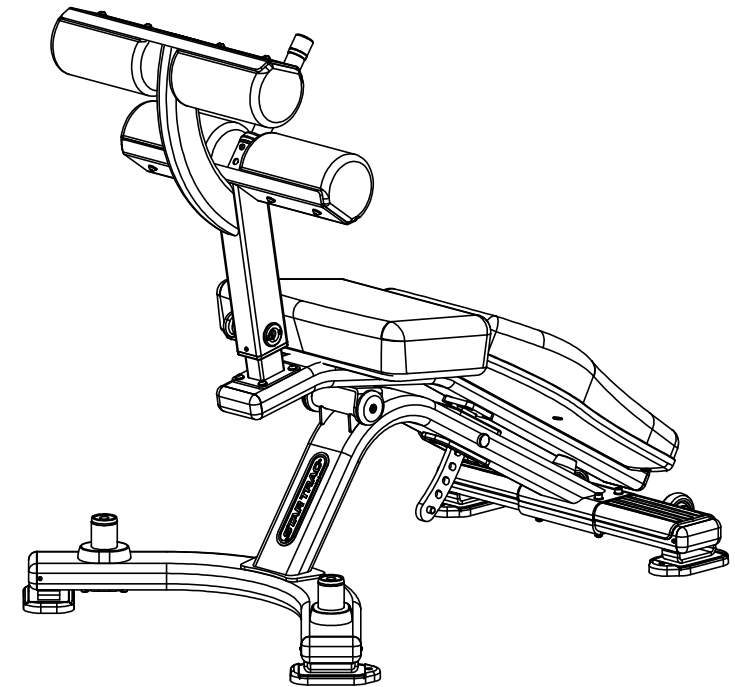
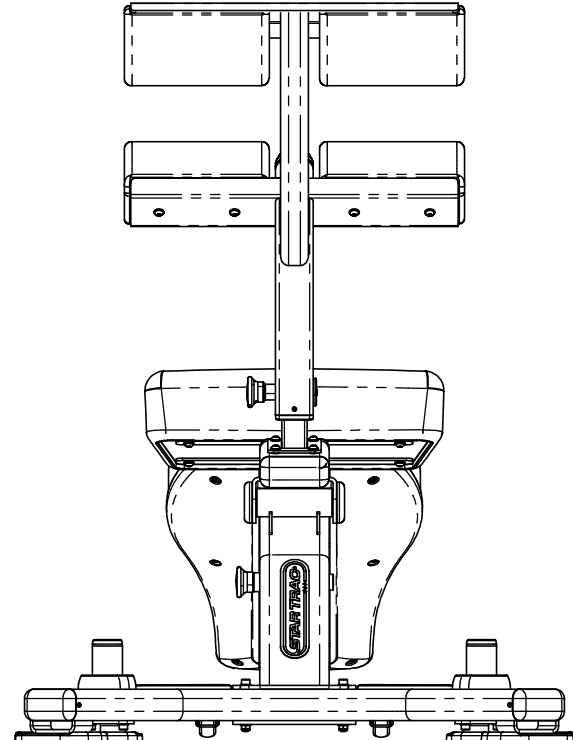
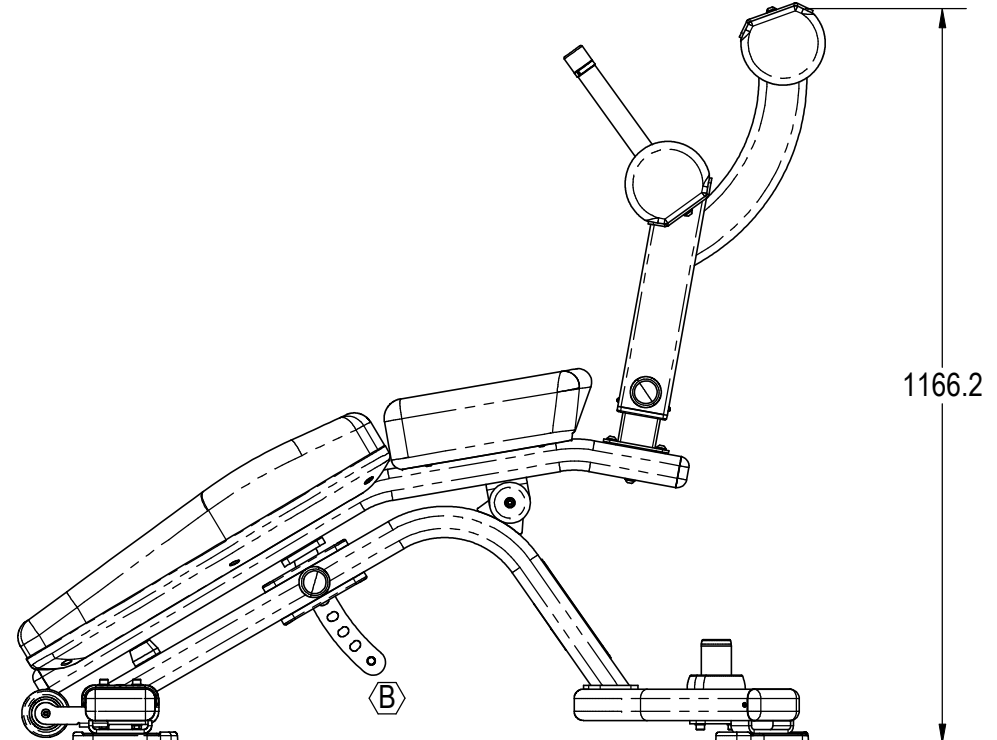
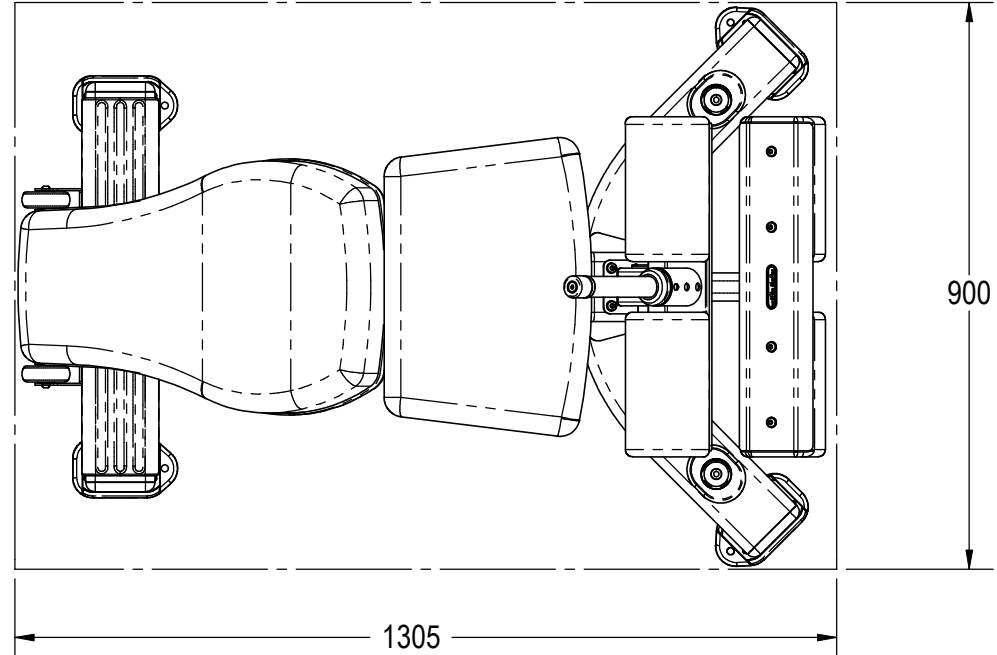


REVISION HISTORY				
REV	DATE	DESCRIPTION	ECO	BY
A	01/12/2011	RELEASE FOR PRODUCTION	13465	RLH
B	7/20/2011	IS 5 HOLE WAS 7 HOLE	13311	RLH



NOTICE OF PROPRIETARY INFORMATION  
 THIS DOCUMENT SHALL NOT BE REPRODUCED NOR SHALL THE INFORMATION CONTAINED HEREIN BE USED BY OR DISCLOSED TO OTHER EXCEPT AS EXPRESSLY AUTHORIZED BY CORE INDUSTRIES, INC., D.B.A. STAR TRAC.

**DOCUMENT STATUS:**

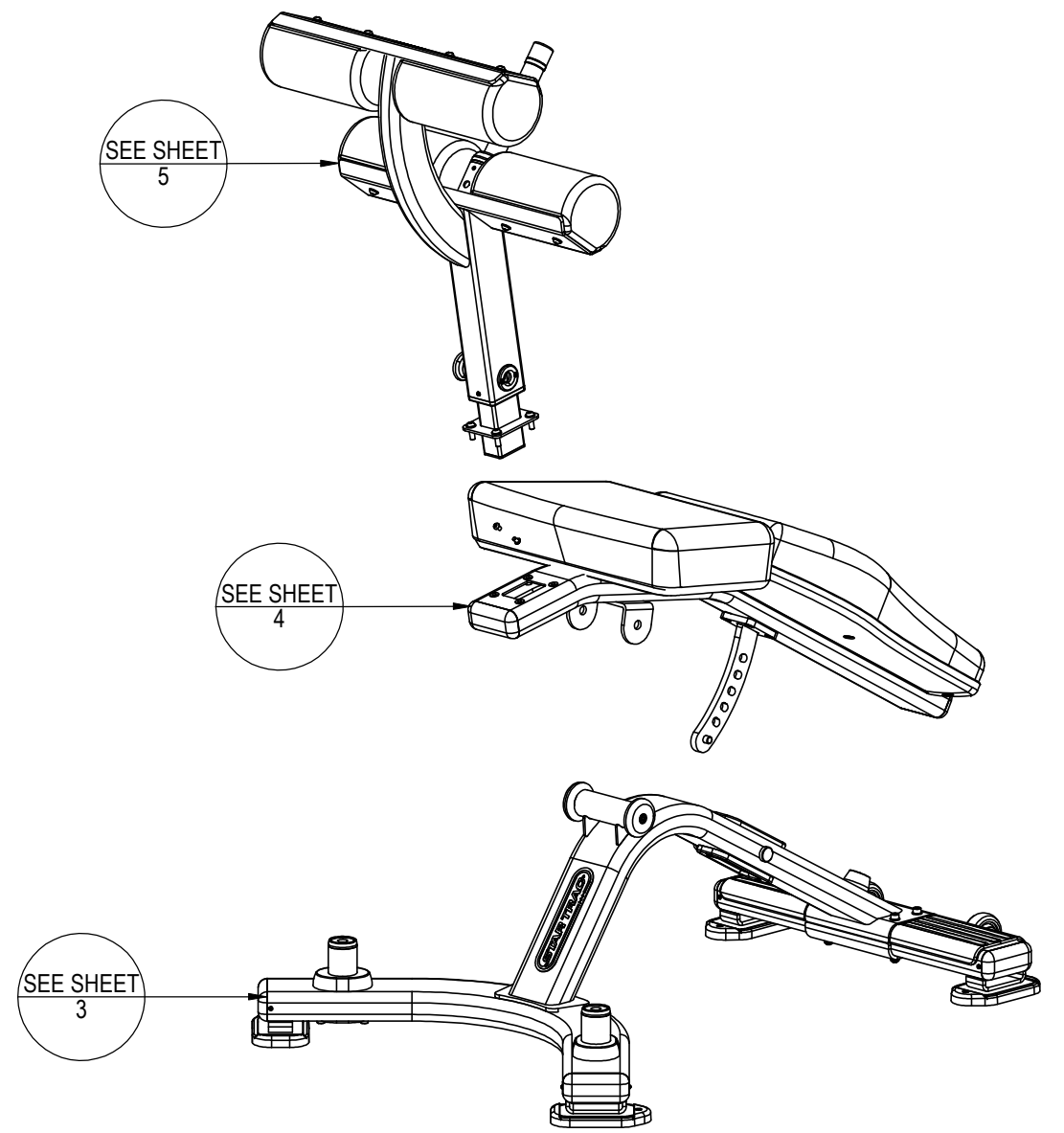
NOTES:

CLASS OF WORK	UNLESS OTHERWISE SPECIFIED DIMS ARE IN mm. TOLERANCES FOR MEASURE OF LENGTH ARE:							ANGLES = ±2°
	0.5 to 3	>3 to 6	>6 to 30	>30 to 120	>120 to 400	>400 to 1000	>1000 to 2000	
FINE	±0.05	±0.05	±0.1	±0.15	±0.2	±0.3	±0.5	----
MEDIUM <b>X</b>	±0.1	±0.1	±0.2	±0.3	±0.5	±0.8	±1.2	±2
COARSE	±0.2	±0.3	±0.5	±0.8	±1.2	±2	±3	±4
VERY COARSE	----	±0.5	±1	±1.5	±2.5	±4	±6	±8

<b>MATERIAL</b> SEE BOM	<b>THIRD ANGLE PROJECTION</b> 									
<b>FINISH</b> SEE NOTES	<table border="1"> <tr> <td>DRAWN</td> <td>INITIAL</td> <td>DATE</td> </tr> <tr> <td>CHECKED</td> <td>RLH</td> <td>12/22/2010</td> </tr> <tr> <td>APPROVED</td> <td></td> <td></td> </tr> </table>	DRAWN	INITIAL	DATE	CHECKED	RLH	12/22/2010	APPROVED		
DRAWN	INITIAL	DATE								
CHECKED	RLH	12/22/2010								
APPROVED										
VENDOR: <b>N/A</b>	P/N: <b>N/A</b>									

<b>CORE INDUSTRIES, INC. DBA</b> 		14410 Myford Road Irvine CA 92606	
STARTRAC PART NO	<b>IP-B7510-XXXXS</b>	REV	<b>B</b>
TITLE <b>ASSY, BENCH, ABDOMINAL</b>			
SCALE: 1:12	SHEET 1 OF 5	SHEET SIZE: B	

9				8				7				6				5				4				3				2				1			
ITEM NO.		PART NUMBER		DESCRIPTION				QTY.		ITEM NO.		PART NUMBER		DESCRIPTION				QTY.																	
1		050-2125-10		STICKER,SERIAL NUMBER,BENCHES				1		51		731-2105		SHAFT,PIVOT,AB BENCH				1																	
2		731-0021		SHOE, 75X147.7				2		52		731-2300-00XX		ASSY,BACK REST,STD,NO STRIP				1																	
3		731-0033		NUT, RIVET,M8 X 1.25				10		53		731-2416		STICKER,STARTRAC,70MM,DECO				1																	
4		731-0040		STOP,Ø50X26,RUBBER				1		54		731-2897		STICKER,ADJ,1-6,AB				1																	
5		731-0057		RING, BEAUTY, GRIP BASE				1																											
6		731-0130		BEARING,15mm BORE,35MM OD,11MM				2																											
7		731-0173-00XX		ASSY,KNEE PAD,STD				4																											
8		731-0209		CAP, END, 110 X 50				4																											
9		731-0225		SCREW,M3.5 X 9.5,SELF TAPPING				8																											
10		731-0335		STICKER, MADE IN CHINA, IP				1																											
11		731-0352		SCREW,M6X0.8,10MM,BHC,HK				2																											
12		731-0355		WASHER,PLAIN,M8,NARROW				34																											
13		731-0359		SCREW,M8 X 1.25,25mm,BHC,HK				18																											
14		731-0365		NUT,M8 X 1.25,NYLOC JAM				8																											
15		731-0390		SCREW,M8 X 1.25,25mm,SHC,HK				8																											
16		731-0397		SCREW,M8 X 1.25,25mm,FHM,HK				5																											
17		731-0513		STICKER,STAR TRAC,DECO,45MMX191MM				1																											
18		731-0550-01		COVER,SEAT BACK,STD.,LEFT				1																											
19		731-0550-02		COVER, SEAT BACK, STD, RIGHT				1																											
20		731-0637		RING,BEAUTY,ADJ,PAD				1																											
21		731-0638		SUPPORT,TUBE,ADJ,CHEST				1																											
22		731-0652		ASSY,PULL PIN,ADJ,RED				1																											
23		731-0963		BASE, HANDLE GRIP, ARMS, 35MM				1																											
24		731-1020		PLASTIC, SEAT BOTTOM , LEG MACHINE				1																											
25		731-1195		CAP,UPHOLSTERY,PLASTIC				1																											
26		731-1226-00XX		ASSY, SEAT BOTTOM, SLP				1																											
27		731-1265		CAP,END,65MM,NO GROOVE				2																											
28		731-1373		BUMPER,STOP,WGT				2																											
29		731-1374		RUBBER,END CAP, WEIGHT HORN				2																											
30		731-1450		SCREW,M8 X 1.25,75mm,SHC,HK,AS,ZP				8																											
31		731-1456-01		PLATE,MOUNT,WGT HOLDER,BLANK				2																											
32		731-1458-XX		BRACKET,BOTTOM,FOOT,WT STORAGE				1																											
33		731-1785		SCREW,SET,M4X.7,4MM				2																											
34		731-1904		END CAP				1																											
35		731-1917		TRIM RING,GRIP				1																											
36		731-1983		ASSY,WIDE FOOT,BENCH				1																											
37		731-1994		PULL PIN,LARGE				1																											
38		731-1995		SCREW,M5,SHEET METAL				4																											
39		731-1996		PLASTIC,TRIM RING,ROM				2																											
40		731-2002		MACHINE WASHER, 1MM THICK				2																											
41		731-2065		TUBE,WGT SUPPORT,HYPER				2																											
42		731-2079		SCREW,M4 X .7,8MM,SHC,HK,NP				2																											
43		731-2080		BUMPER,ADJ,HYPER				1																											
44		731-2082		COVER,WGT HOLDER,1 PLATE				2																											
45		731-2090-XX		WELD,CALF,ADJ,AB BENCH				1																											
46		731-2094-XX		WELD,CALF,ADJ,HOLES,AB BENCH				1																											
47		731-2095		GRIP,HANDLE,AB BENCH				1																											
48		731-2097		WELD,ADJ,HOLES,AB BENCH				1																											
49		731-2100-XX		WELD,BACK SUPPORT,AB BENCH				1																											
50		731-2104-XX		WELD,BASE,FRAME,AB BENCH				1																											

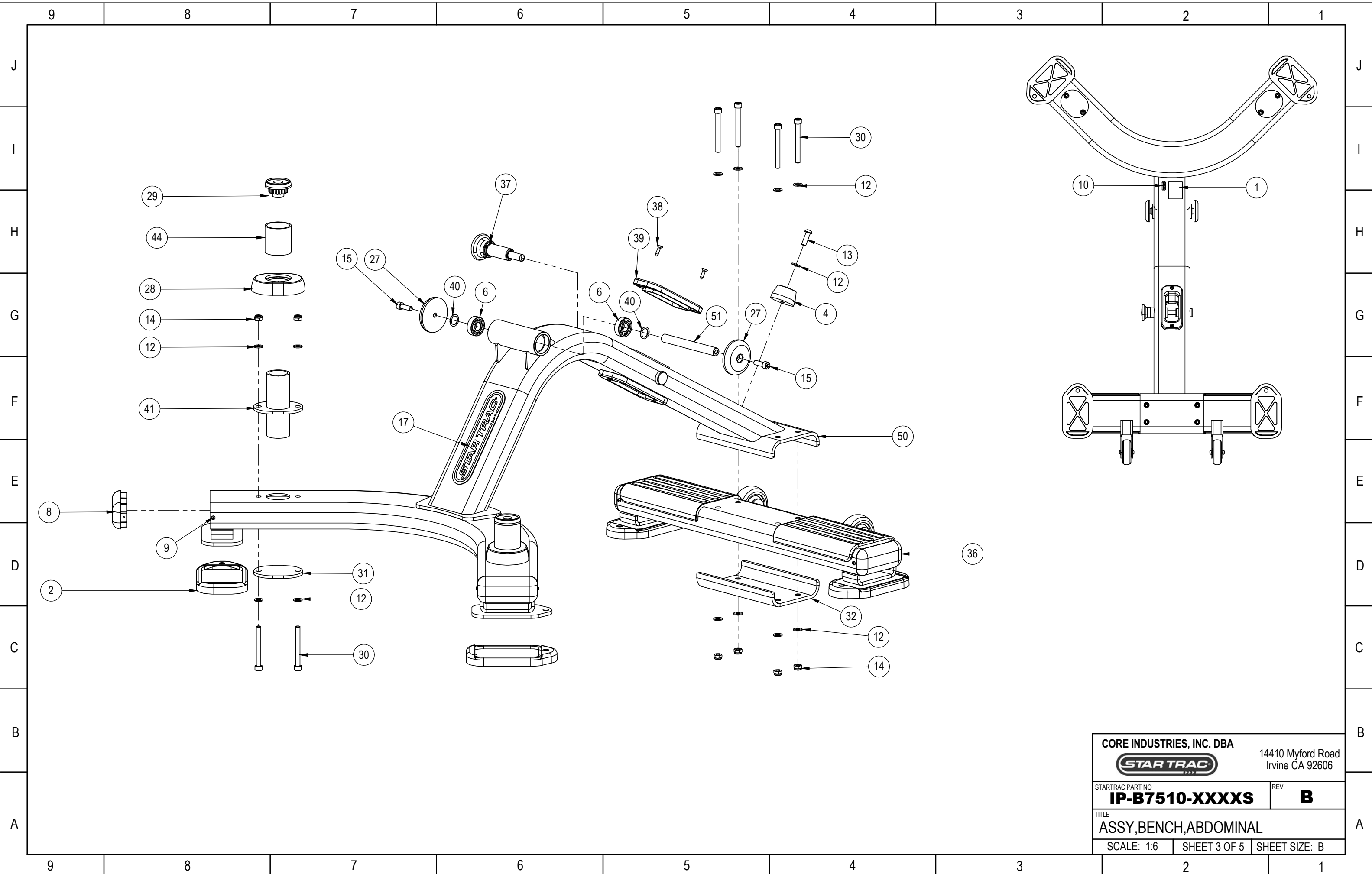


CORE INDUSTRIES, INC. DBA  
**STARTRAC**  
 14410 Myford Road  
 Irvine CA 92606

STARTRAC PART NO  
**IP-B7510-XXXXS**  
 TITLE  
**ASSY,BENCH,ABDOMINAL**

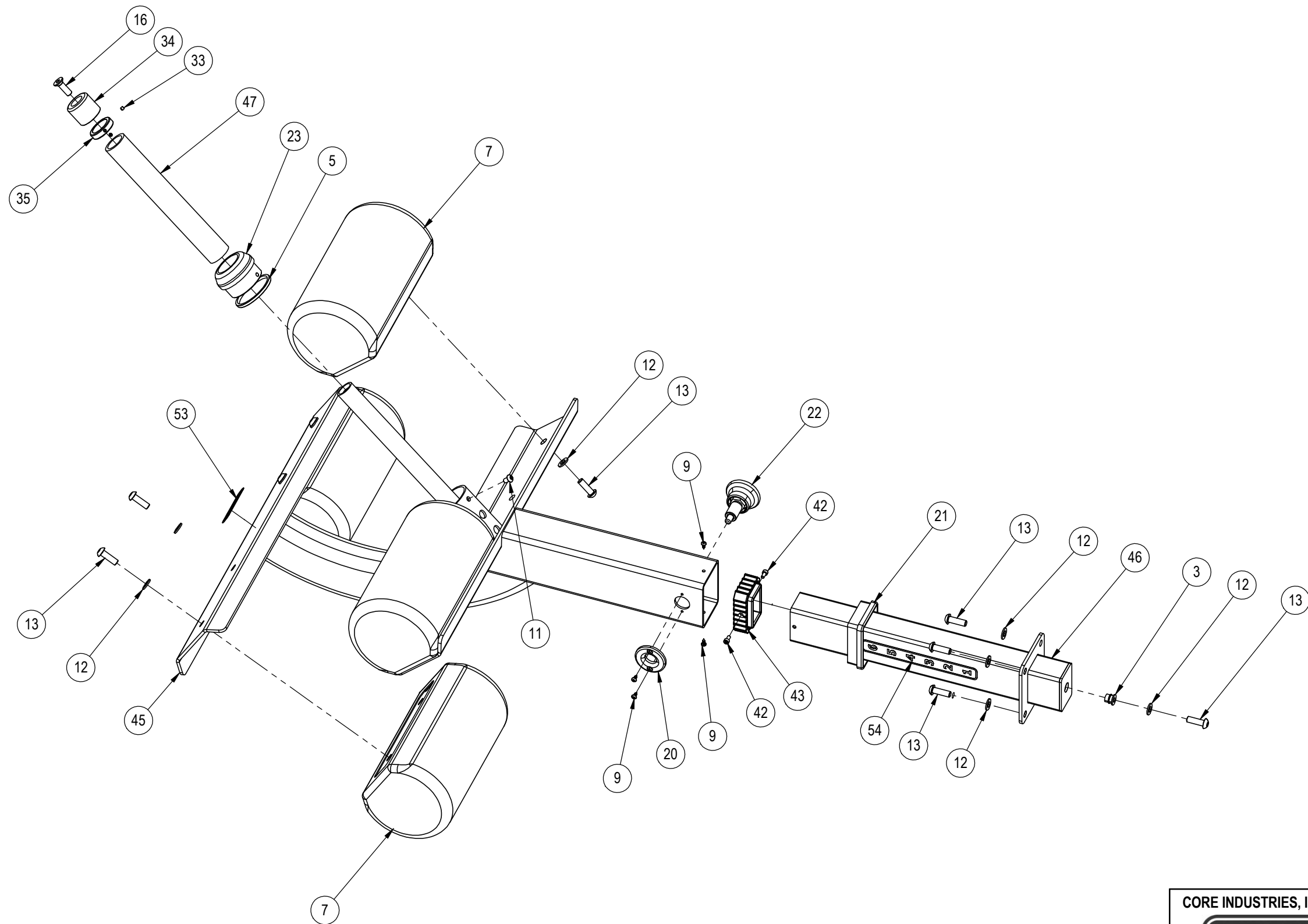
REV  
**B**

SCALE: 1:12 | SHEET 2 OF 5 | SHEET SIZE: B



CORE INDUSTRIES, INC. DBA		14410 Myford Road Irvine CA 92606	
<b>STAR TRAC</b>			
STARTRAC PART NO	<b>IP-B7510-XXXXS</b>		REV <b>B</b>
TITLE <b>ASSY, BENCH, ABDOMINAL</b>			
SCALE: 1:6	SHEET 3 OF 5	SHEET SIZE: B	





CORE INDUSTRIES, INC. DBA		14410 Myford Road Irvine CA 92606	
STARTRAC PART NO	<b>IP-B7510-XXXXS</b>		REV <b>B</b>
TITLE <b>ASSY,BENCH,ABDOMINAL</b>			
SCALE: 1:6	SHEET 5 OF 5	SHEET SIZE: B	