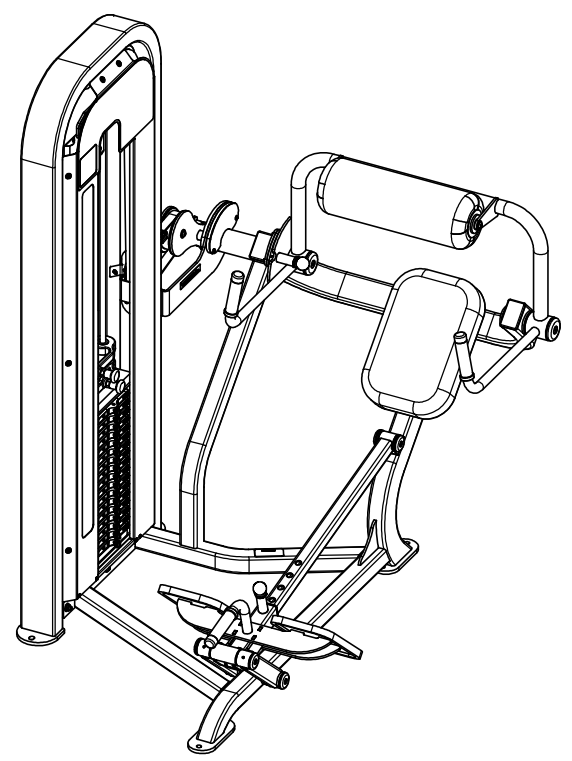
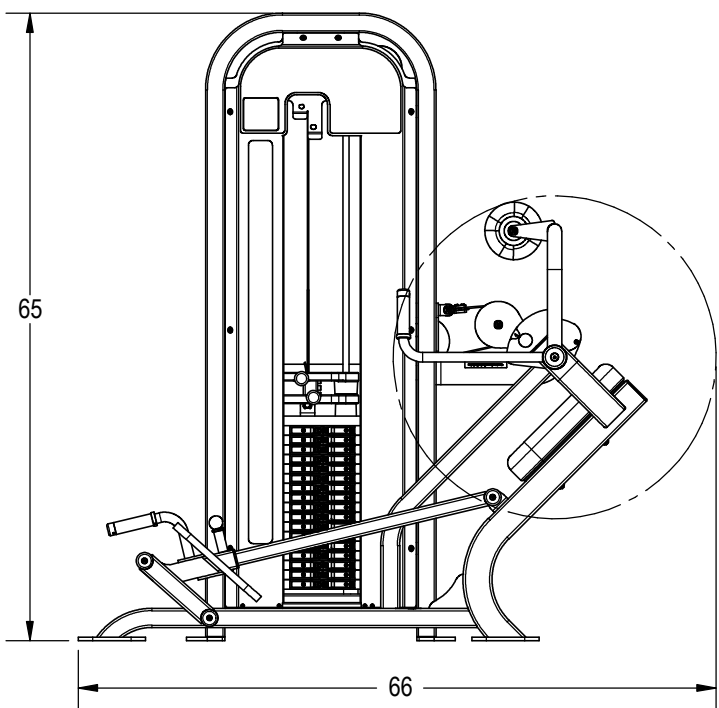
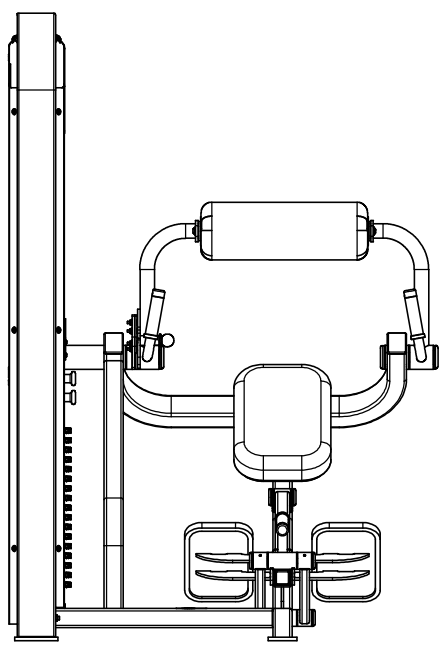
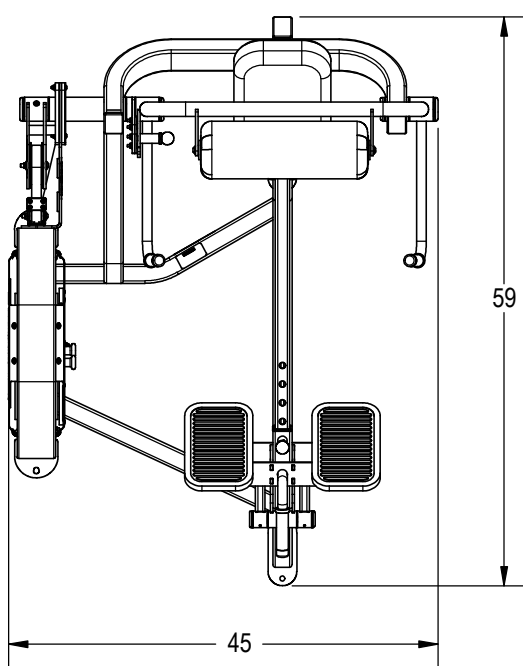


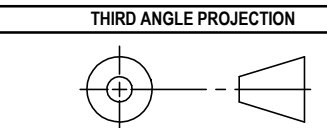
REVISION HISTORY				
REV	DATE	DESCRIPTION	ECO	BY
A	11/11/2009	PRODUCTION RELEASE	100596	SLS



- NOTES:
1. INTERPRET DRAWING PER ASME Y14.5M-1994.
  2. REMOVE ALL BURRS AND SHARP EDGES .015/.030.
  3. IF APPLICABLE, CRITICAL DIMENSIONS LABELED.
  4. ALL HARDWARE KITTED PER 3700-0437.
  5. ALL UPHOLSTERY KITTED PER 3700-0160.
  6. EST. GROSS WT. 565 LBS.

**DOCUMENT STATUS:  
RELEASED**

NOTICE OF PROPRIETARY INFORMATION  
THIS DOCUMENT SHALL NOT BE REPRODUCED NOR SHALL THE INFORMATION CONTAINED HEREIN BE USED BY OR DISCLOSED TO OTHER EXCEPT AS EXPRESSLY AUTHORIZED BY UNISEN INC, D.B.A. STAR TRAC.



**MATERIAL**  
SEE BOM

**FINISH**  
N/A

VENDOR: **N/A** P/N: **N/A**

UNLESS OTHERWISE SPECIFIED DIMENSIONS ARE IN INCHES. TOLERANCES ARE:  
DECIMALS ANGLES  
X. = ±.13 X. = ±2°  
X.X = ±.05  
X.XX = ±.03  
X.XXX = ±.010

DRAWN	SLS	DATE	7/14/2009
CHECKED			
APPROVED			
	U.O.M.	INCH	

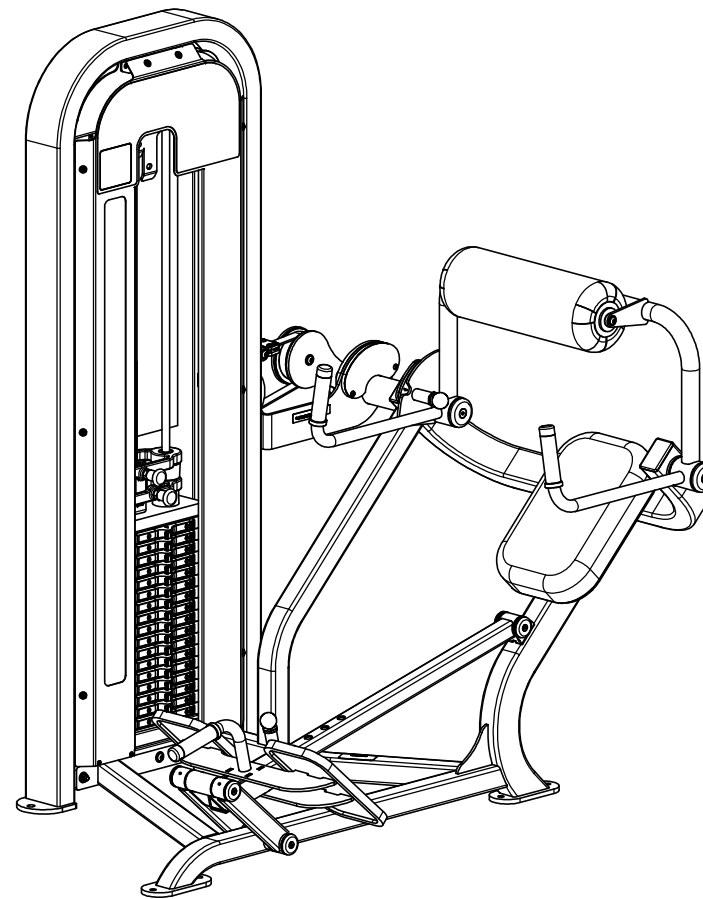
**UNISEN, INC. DBA**  
**STAR TRAC**  
14410 Myford Road  
Irvine CA 92606

STARTRAC PART NO. **9LL-S3302EXXXXX** REV **A**

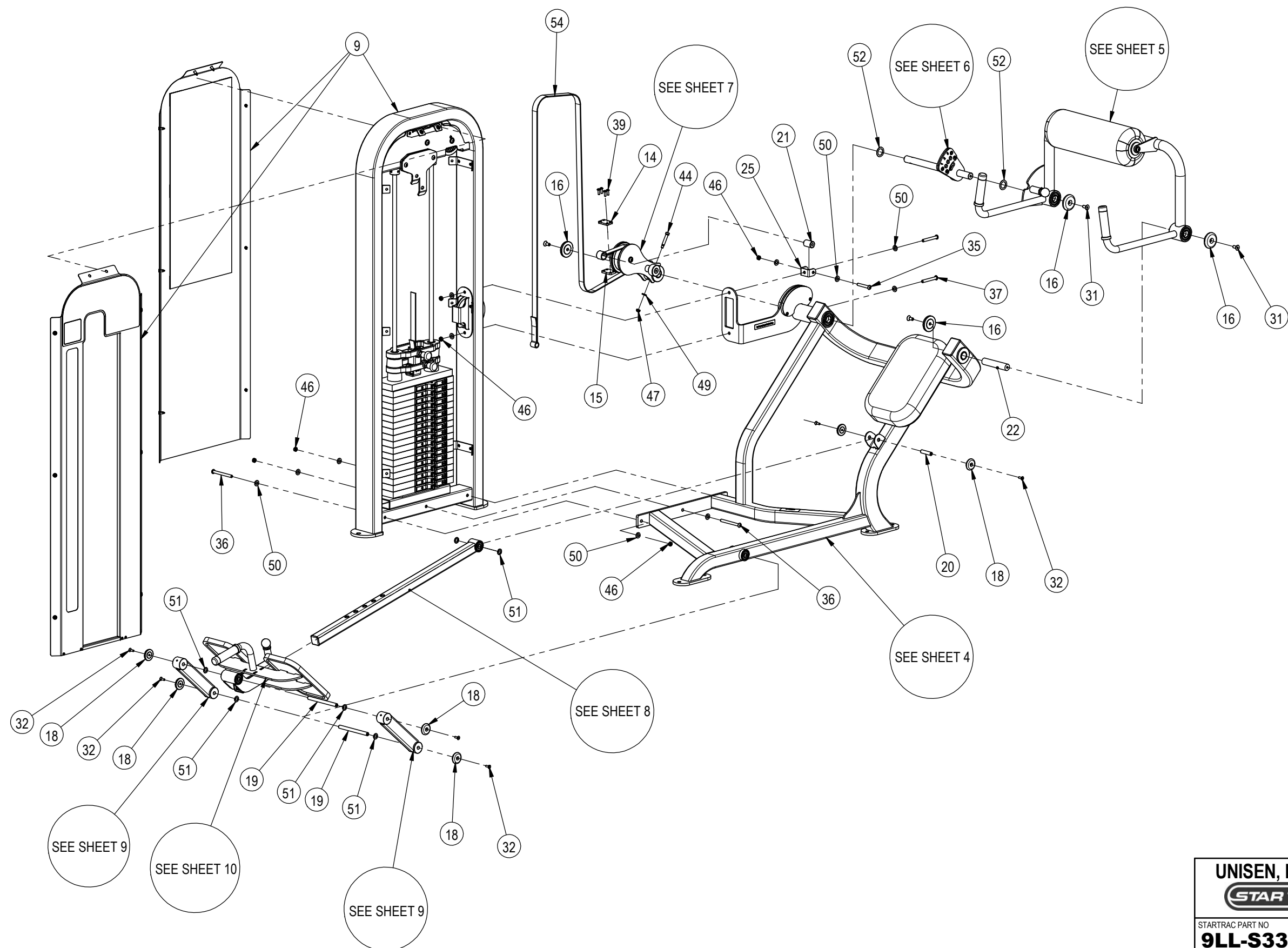
TITLE **LOW BACK, LL**

SCALE: 1:20 SHEET 1 OF 10 SHEET SIZE: B

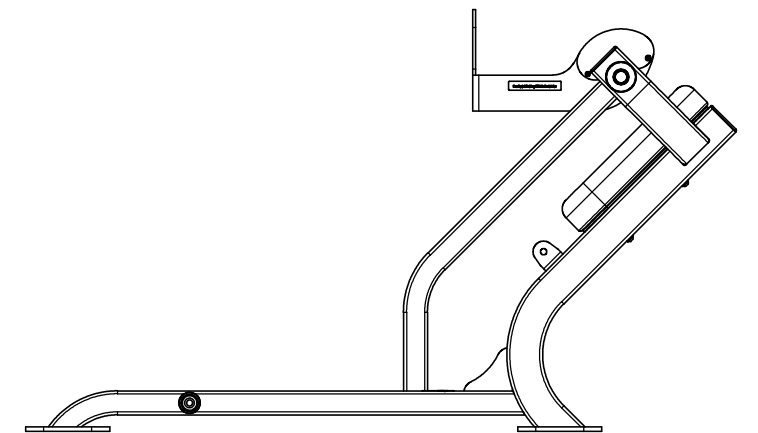
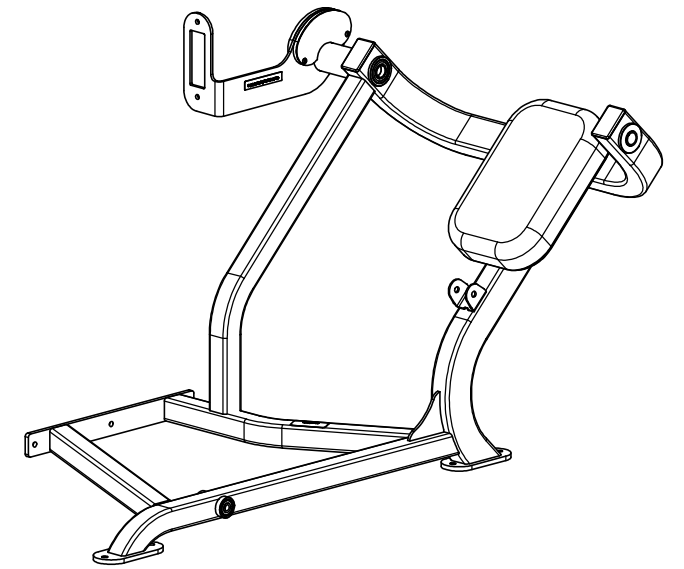
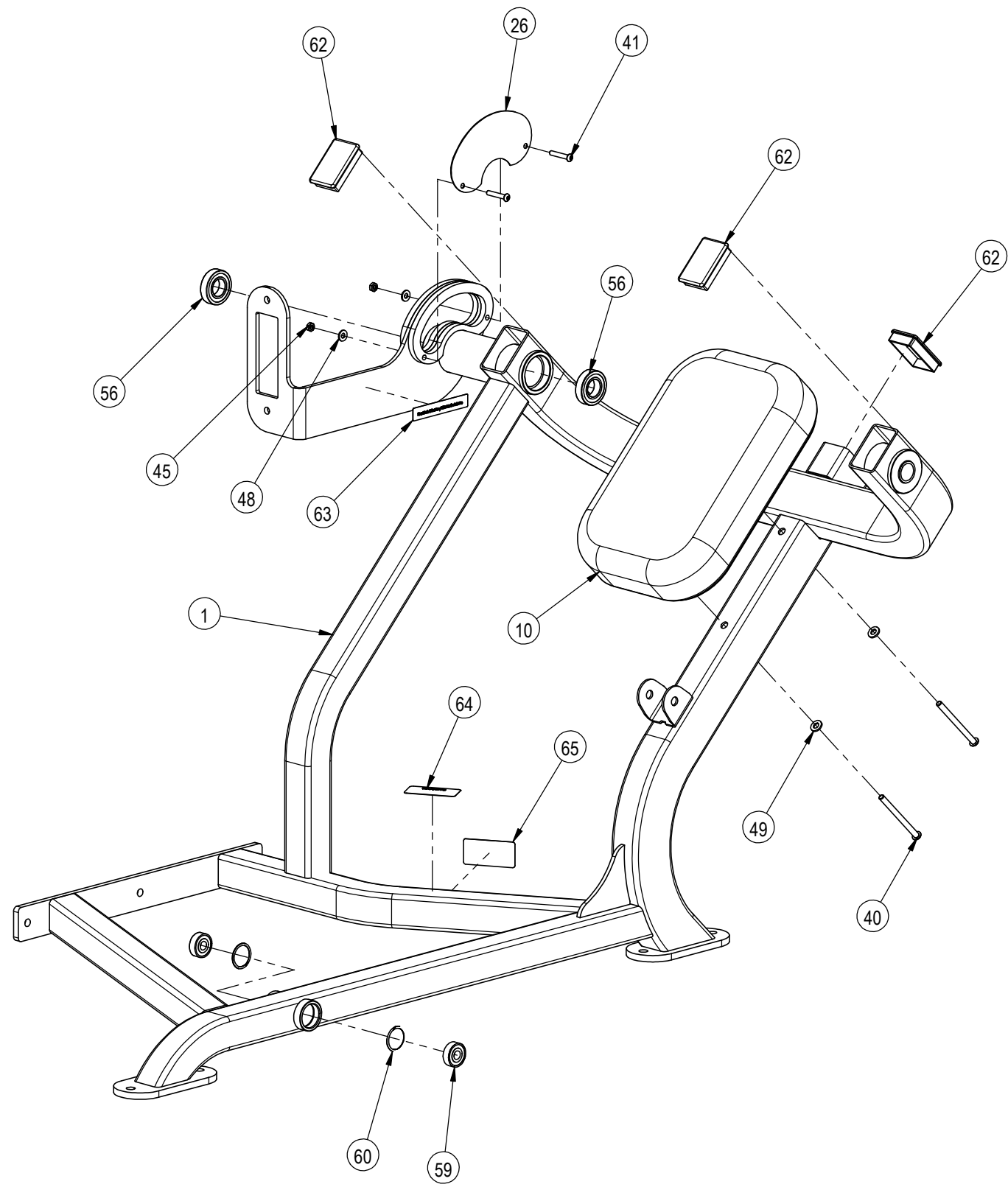
9				8				7				6				5				4				3				2				1			
ITEM NO.		PART NUMBER		DESCRIPTION				QTY.		ITEM NO.		PART NUMBER		DESCRIPTION				QTY.																	
J	1	3211-0172	ASSY, WELD, MAIN FRAME, LOW BACK				1	47	4500-0016	NUT, NYLOC, 5/16-18, NE, Z				1																					
	2	3211-0173	ASSY, WELD, PIVOT ARM				1	48	4600-0006	FLAT WASHER, 1/4 Z				6																					
	3	3211-0174	ASSY, WELD, FOOT PAD				1	49	4600-0007	WASHER, SAE, 5/16, Z				3																					
	4	3211-0177	ASSY, WELD, SLIDE POST				1	50	4600-0009	WASHER, SAE, 3/8-16, Z				16																					
I	5	3211-0178	ASSY, WELD, PIVOT ARM				2	51	4600-0023	WASHER, FLAT, 3/4, PLN				6																					
	6	3211-0220	ASSY, WELD, ROM PIVOT AXLE				1	52	4600-0025	MACHINE BUSHING, 1", 18 GAGE				2																					
	7	3211-0222	ASSY, WELD 4" PIVOT LINK				1	53	4600-0027	WASHER, NYLON, 2 OD, 1 1/16 ID, 3/16				2																					
	8	4900-PNTX	POWDER COAT, TBD				1.75 LBS.	54	4800-0001	BELT, MECTROL				110																					
H	9	3311-0387	ASSY, MECH, WT FRAME, S3302E LL				1	55	4900-0005	CAP, HANDLE, 1", CHROME				3																					
	10	3500-0105	ASSY, UPHOLSTERY, SEAT, PB-361				1	56	4900-0139	BEARING, 1 ID X 2 OD, NR16-Z				6																					
	11	3500-0106	ASSY, UPHOLSTERY, BACK, PB-361				1	57	4900-0151	PULL PIN, 1/2", K320				2																					
	12	4900-UPHX	UPHOLSTERY, TBD				0.75 LIN. YDS.	58	4900-0440	PULLEY, BELT, 4.75D, 3/8B, 1.5W, MOLDED				1																					
G	13	1400-0001	TUBE, ROUND, 1", RUBBER, BLK				12	59	4900-0545	BEARING, .5" ID x 1.375 OD, MESA 1621DC+				6																					
	14	2120-0154	PLATE, BELT CLAMP, 1/4, BC-002				1	60	4900-0554	RET. RING, 1 3/8 INT., SPIRAL				6																					
	15	2120-0502	PLATE, BELT CLAMP, 1/4, BC-003				1	61	4900-0586	CAP, 1.5 X1.5, BLACK, TEXTURED				1																					
	16	2120-3826	CAP, BEARING 2 1/2 RND ALUM				4	62	4900-0589	CAP, 2.0 x 3.0, BLACK, TEXTURED				3																					
F	17	2120-3848	RING, HANDLE, 1"				3	63	5220-0002	LABEL, SAFETY, KEEP HANDS, SMALL				2																					
	18	2120-3887	CAP, BEARING 1 3/4 RND ALUM				6	64	5220-0005	LABEL, SAFETY, SECURE TO FLOOR				1																					
	19	2120-3931	BAR, MACH, PIVOT AXLE, LONG				2	65	5290-0001	SERIAL NUMBER				1																					
	20	2120-3932	BAR, MACH, PIVOT AXLE, SHORT				1	66	050-2190	LABEL, PATENTS, LNL				1																					
E	21	2120-3935	BAR, CUT, BELT ROLLER				1																												
	22	2120-3940	BAR, MACH, PIVOT AXLE				1																												
	23	2120-3941	SHAFT, ROLLER PAD, (17)				1																												
	24	2130-0062	END PLATE, UPHOLSTERY, Ø3", 1 1/32 HOLE				2																												
D	25	2130-0096	BELT PIVOT MOUNT				1																												
	26	2160-0002	PLATE, STOP COVER				1																												
	27	2163-0161	LASER CUT, R.O.M. WEAR PAD				1																												
	28	2200-0037	PLASTIC, LINK STOP				1																												
C	29	2210-0009	BUSHING, SEAT POST				1																												
	30	2400-0050	PAD, FOOT, RUBBER, MED.				2																												
	31	4210-0030	FHSCS, 3/8-16 X .875, BRIGHT Z				5																												
	32	4210-0031	FHSCS, 1/4-20 X .75, BRIGHT Z				6																												
B	33	4210-0033	FHSCS, 1/4-20 X 1.0, BRIGHT Z				4																												
	34	4230-0050	BHSCS, 3/8-16 X 1, BRIGHT, Z				2																												
	35	4230-0051	BHSCS, 3/8-16 X 2 1/2, BRIGHT, Z				1																												
	36	4230-0053	BHSCS, 3/8-16 X 4, BRIGHT, Z				3																												
A	37	4230-0056	BHSCS, 3/8 X 3, BRIGHT, Z				2																												
	38	4230-0060	BHSCS, 3/8-16 X 2 3/4, BRIGHT, Z				1																												
	39	4230-0093	BHSCS, 1/4-20 X 3/4, BRIGHT, Z				5																												
	40	4230-0094	BHSCS, 5/16-18 X 4, BRIGHT, Z				2																												
	41	4230-0109	SCREW 1/4-20, 1 1/2, BHC, HK, AS, ZP				2																												
	42	4250-0001	SSS, 10-32 X 1/8, BLK				12																												
	43	4250-0015	SSSCP, 1/4-20 X 1/2, BLK				4																												
	44	4300-0031	SHOULDER BOLT 3/8 X 1.75				1																												
	45	4500-0008	Nut, JAM, 1/4-20, Z				6																												
	46	4500-0009	NUT, JAMNYLOC, 3/8-16, NTE				7																												



<b>UNISEN, INC. DBA</b>		14410 Myford Road Irvine CA 92606	
STARTRAC PART NO	<b>9LL-S3302EXXXX</b>	REV	<b>A</b>
TITLE <b>LOW BACK, LL</b>			
SCALE: 1:16	SHEET 2 OF 10	SHEET SIZE: B	

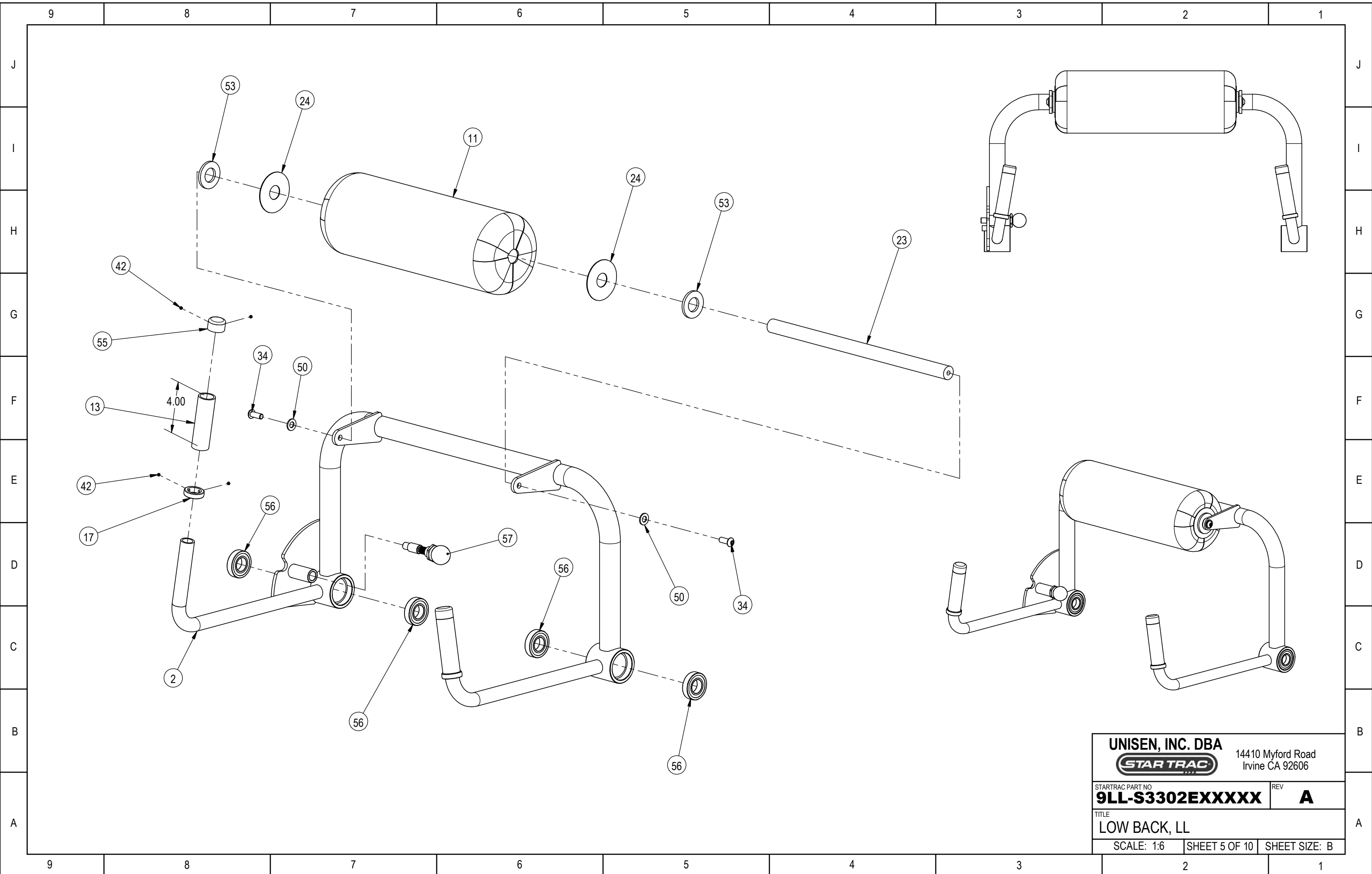


<b>UNISEN, INC. DBA</b>		14410 Myford Road Irvine CA 92606	
STARTRAC PART NO	<b>9LL-S3302EXXXXX</b>		REV <b>A</b>
TITLE <b>LOW BACK, LL</b>			
SCALE: 1:16	SHEET 3 OF 10	SHEET SIZE: B	



<b>UNISEN, INC. DBA</b>		14410 Myford Road Irvine CA 92606	
STARTRAC PART NO	<b>9LL-S3302EXXXXX</b>	REV	<b>A</b>
TITLE <b>LOW BACK, LL</b>			
SCALE: 1:8	SHEET 4 OF 10	SHEET SIZE: B	



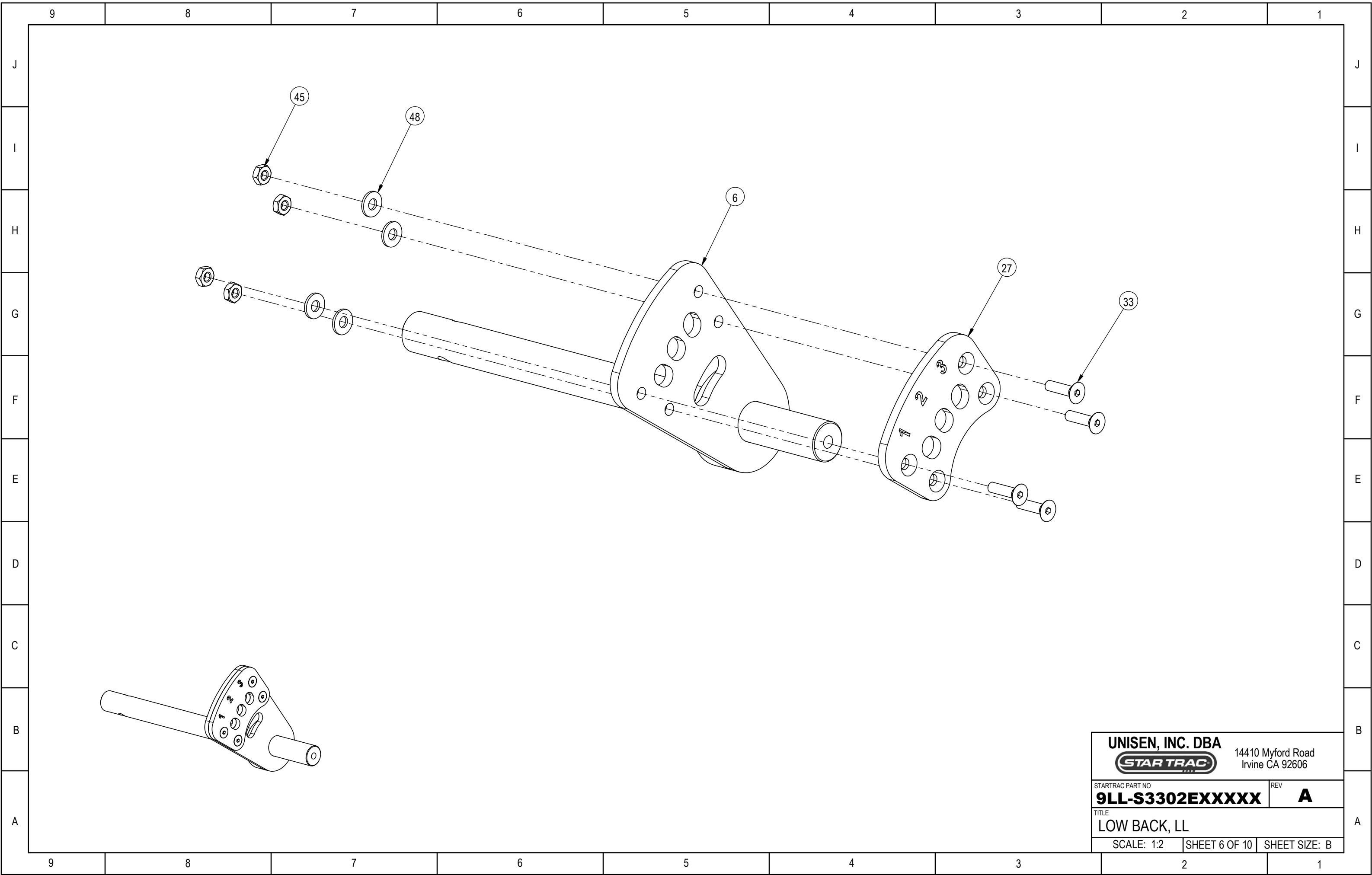


UNISEN, INC. DBA  
**STARTRAC**  
 14410 Myford Road  
 Irvine CA 92606

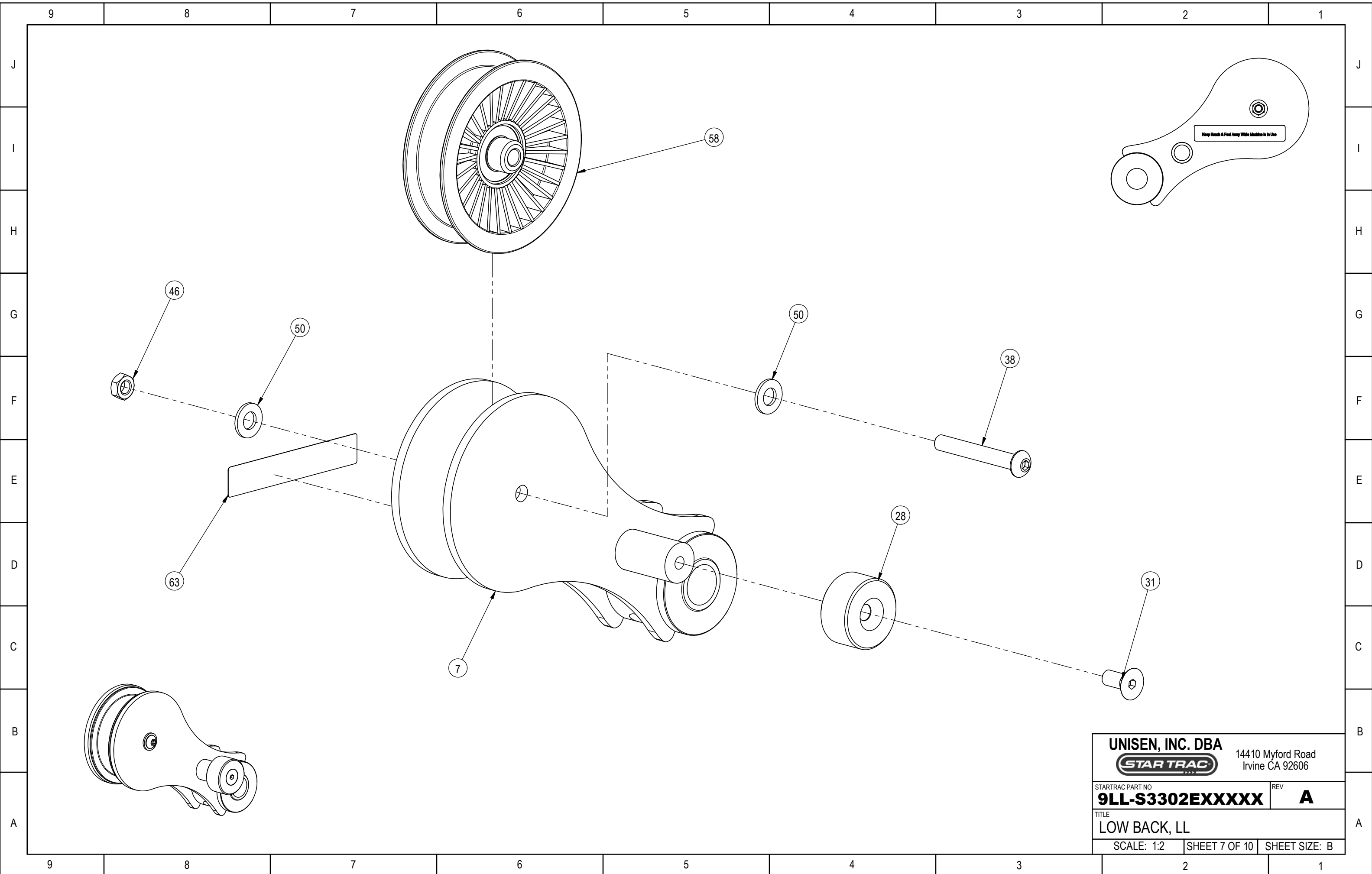
STARTRAC PART NO  
**9LL-S3302EXXXX** REV **A**

TITLE  
**LOW BACK, LL**

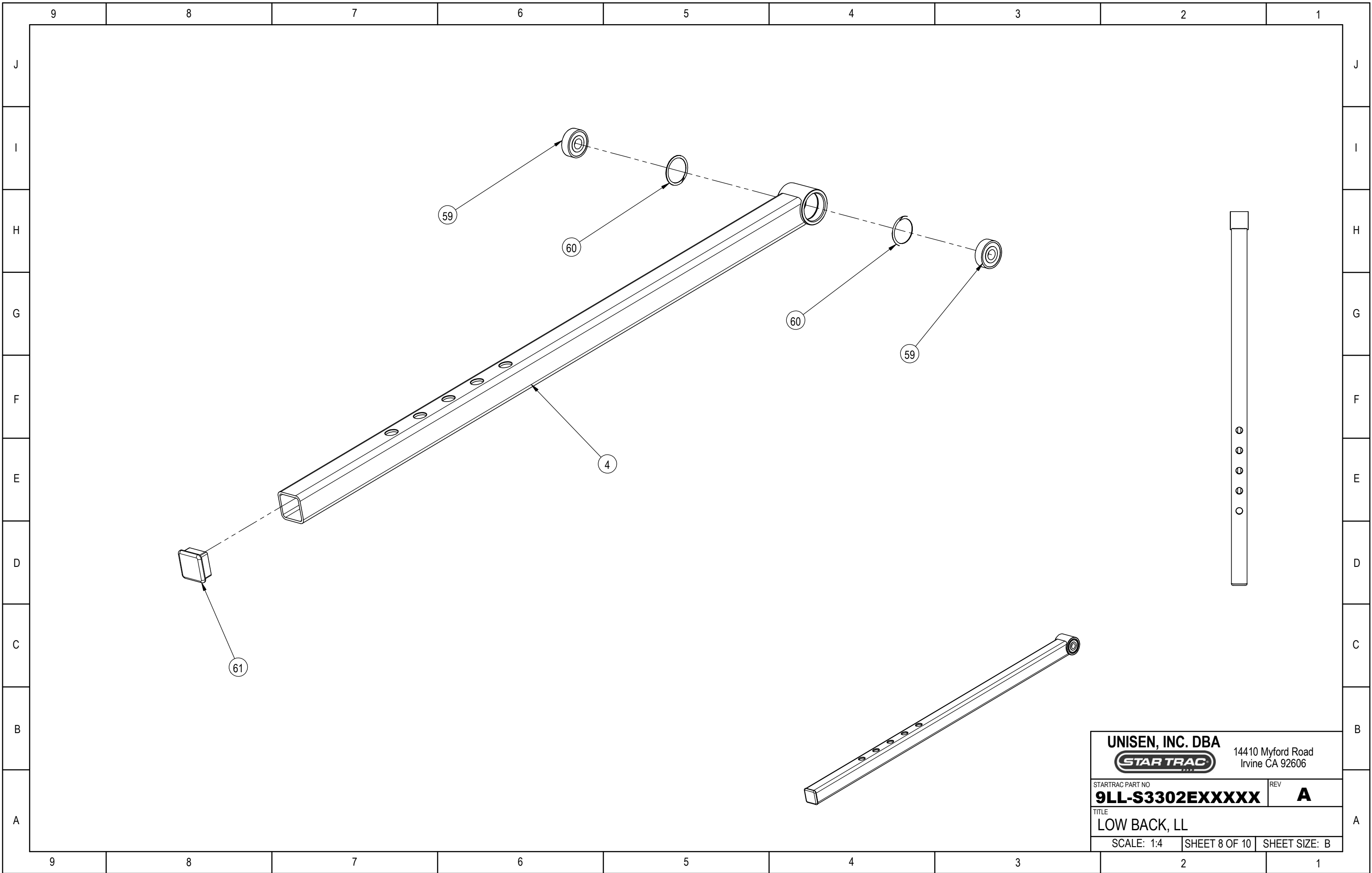
SCALE: 1:6 SHEET 5 OF 10 SHEET SIZE: B



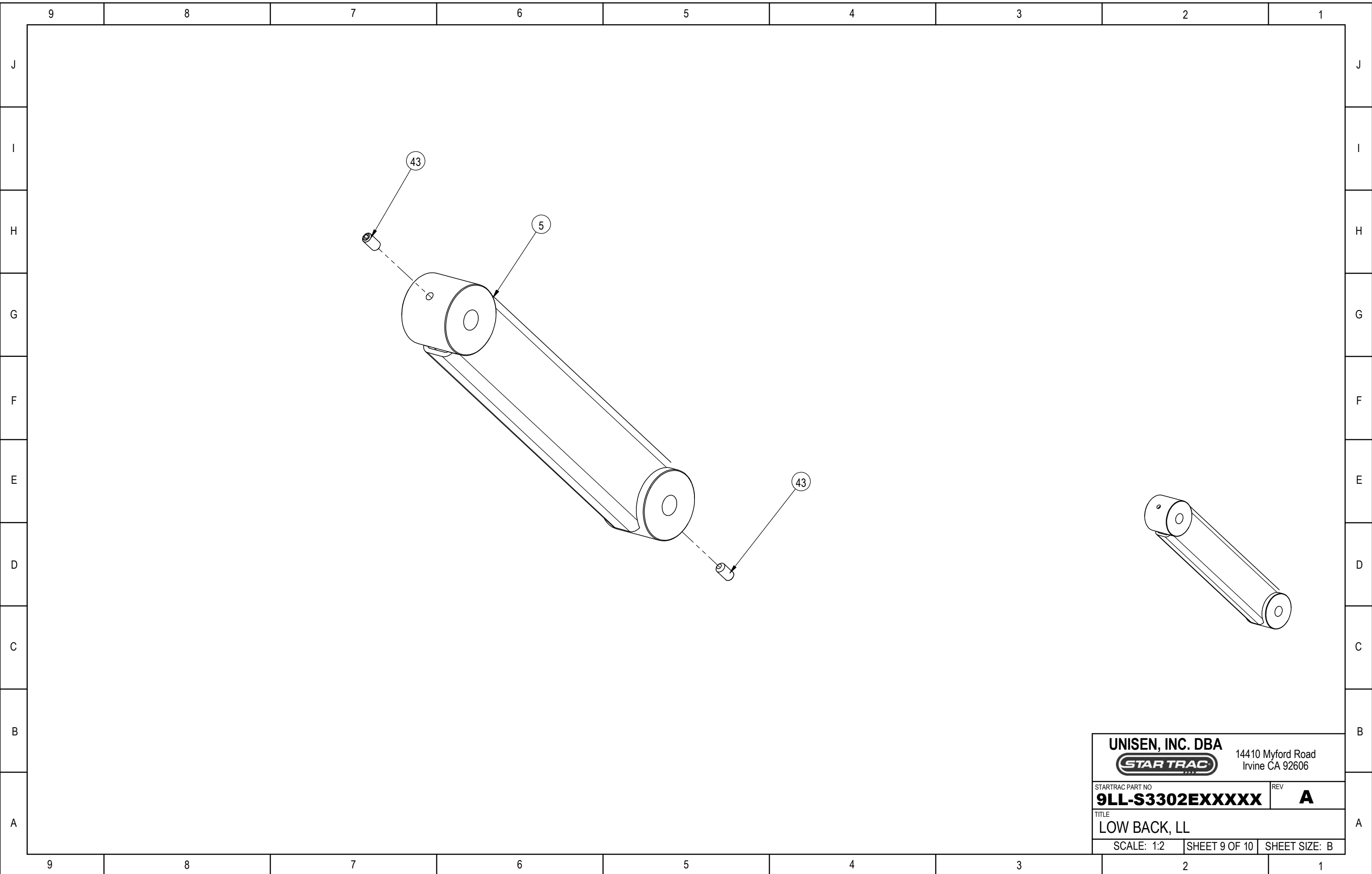
<b>UNISEN, INC. DBA</b>		14410 Myford Road Irvine CA 92606
<b>STAR TRAC</b>		
STARTRAC PART NO	<b>9LL-S3302EXXXXX</b>	REV <b>A</b>
TITLE <b>LOW BACK, LL</b>		
SCALE: 1:2	SHEET 6 OF 10	SHEET SIZE: B



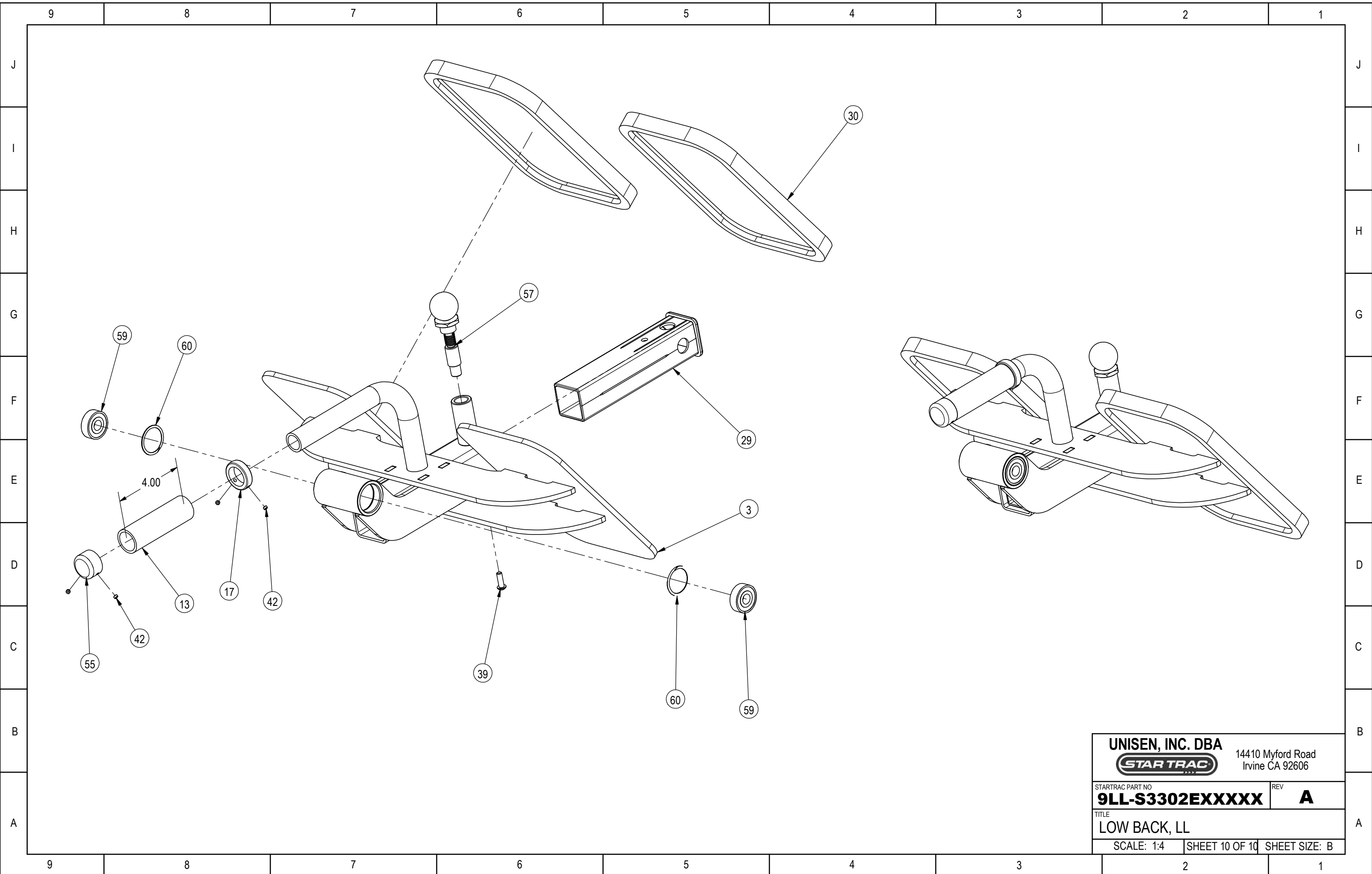
<b>UNISEN, INC. DBA</b>		14410 Myford Road Irvine CA 92606	
<b>STAR TRAC</b>			
STARTRAC PART NO	<b>9LL-S3302EXXXX</b>	REV	<b>A</b>
TITLE <b>LOW BACK, LL</b>			
SCALE: 1:2	SHEET 7 OF 10	SHEET SIZE: B	



<b>UNISEN, INC. DBA</b>		14410 Myford Road
<b>STAR TRAC</b>		Irvine CA 92606
STARTRAC PART NO	REV	
<b>9LL-S3302EXXXX</b>	<b>A</b>	
TITLE		
<b>LOW BACK, LL</b>		
SCALE: 1:4	SHEET 8 OF 10	SHEET SIZE: B



<b>UNISEN, INC. DBA</b>		14410 Myford Road
		Irvine CA 92606
STARTRAC PART NO	<b>9LL-S3302EXXXX</b>	REV <b>A</b>
TITLE <b>LOW BACK, LL</b>		
SCALE: 1:2	SHEET 9 OF 10	SHEET SIZE: B



<b>UNISEN, INC. DBA</b>		14410 Myford Road
		Irvine CA 92606
STARTRAC PART NO	<b>9LL-S3302EXXXX</b>	REV <b>A</b>
TITLE <b>LOW BACK, LL</b>		
SCALE: 1:4	SHEET 10 OF 10	SHEET SIZE: B