

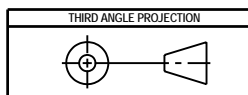
REVISION HISTORY				
REV	DATE	DESCRIPTION	ECO	BY
A		PRODUCTION RELEASE	100520	SLS

NOTES:

1. INTERPRET DRAWING PER ASME Y14.5M-1994.
2. REMOVE ALL BURRS AND SHARP EDGES .015/.030.
3. IF APPLICABLE, CRITICAL DIMENSIONS LABELED.
4. ALL HARDWARE KITTED PER 3700-0435.
5. ALL UPHOLSTERY KITTED PER 3700-0160.
6. EST. GROSS WT. 565 LBS.

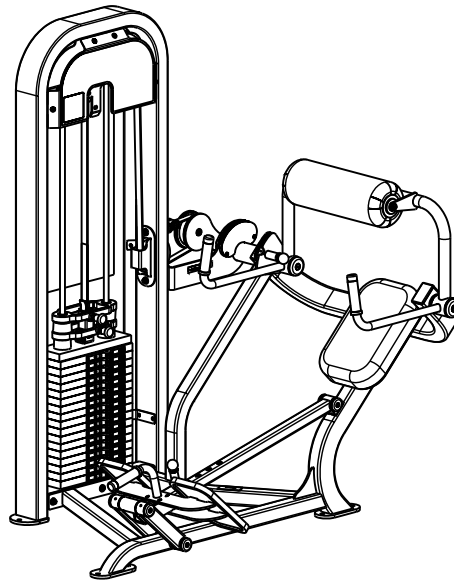
DOCUMENT STATUS:
DEVELOPMENT

NOTICE OF PROPRIETARY INFORMATION
THIS DOCUMENT SHALL NOT BE REPRODUCED NOR SHALL THE INFORMATION CONTAINED HEREIN BE USED BY OR DISCLOSED TO OTHER EXCEPT AS EXPRESSLY AUTHORIZED BY UNISEN INC. D.B.A. STAR TRAC.

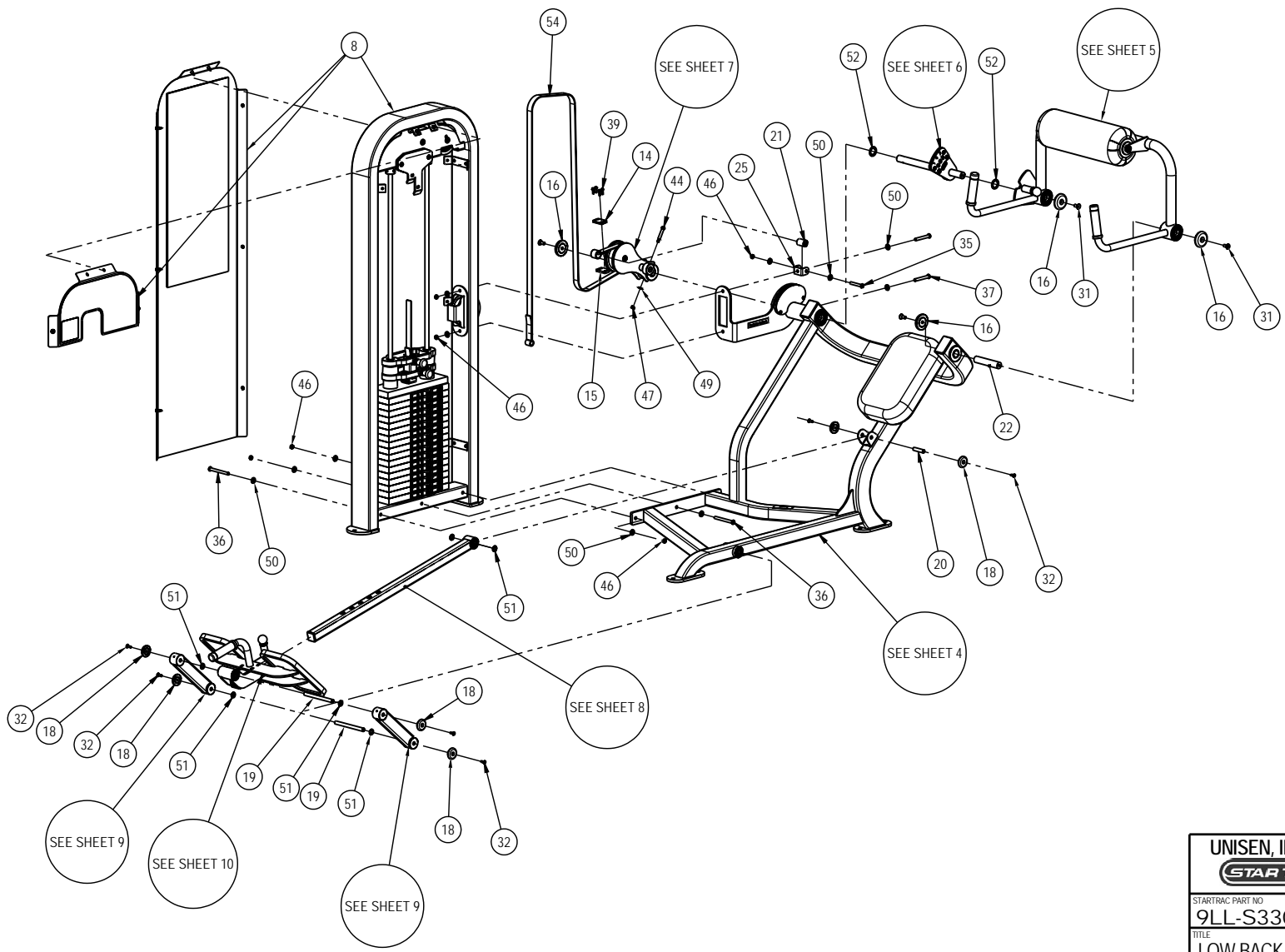


MATERIAL SEE BOM		UNLESS OTHERWISE SPECIFIED DIMENSIONS ARE IN INCHES. TOLERANCES ARE: DECIMALS: X = ±.13, XX = ±.05, XXX = ±.03, XXXX = ±.010 ANGLES: X = ±2°		UNISEN, INC. DBA STAR TRAC 14410 Myford Road Irvine CA 92606	
FINISH N/A		DRAWN SLS	DATE 7/14/2009	STARTRAC PART NO 9LL-S3302CXXXXX	REV X02WC
VENDOR: N/A		P/N: N/A		TITLE LOW BACK, LL	
		U.O.M. INCH	SCALE: 1:20	SHEET 1 OF 10 SHEET SIZE: B	

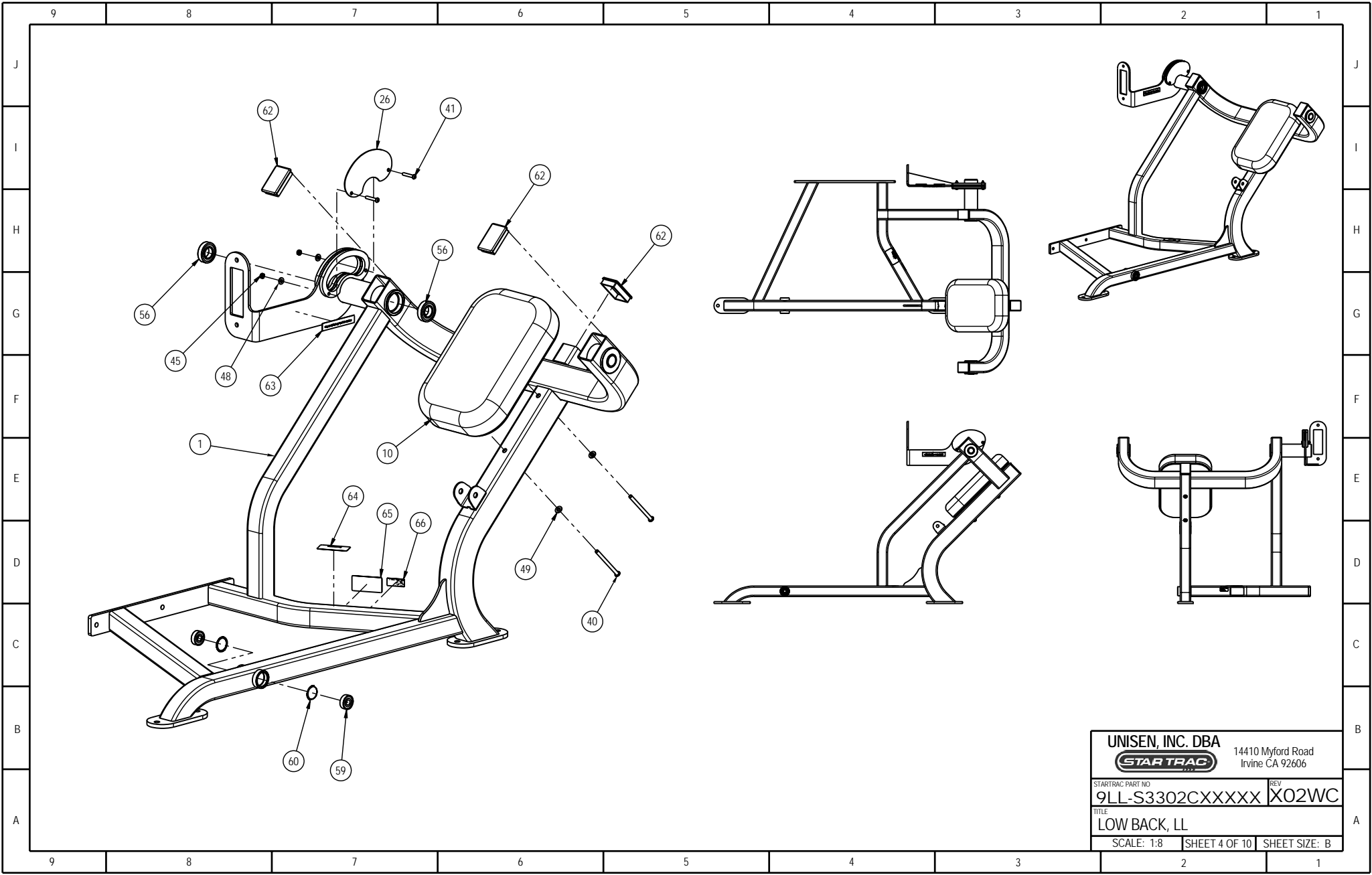
9				8				7				6				5				4				3				2				1			
ITEM NO.	PART NUMBER	DESCRIPTION		QTY.		ITEM NO.	PART NUMBER	DESCRIPTION		QTY.																									
J	1	3211-0172	ASSY, WELD, MAIN FRAME, LOW BACK		1		47	4500-0016	NUT, NYLOC, 5/16-18, NE, Z		1																								
	2	3211-0173	ASSY, WELD, PIVOT ARM		1		48	4600-0006	FLAT WASHER, 1/4 Z		6																								
	3	3211-0174	ASSY, WELD, FOOT PAD		1		49	4600-0007	WASHER, SAE, 5/16, Z		3																								
	4	3211-0177	ASSY, WELD, SLIDE POST		1		50	4600-0009	WASHER, SAE, 3/8-16, Z		16																								
I	5	3211-0178	ASSY, WELD, PIVOT ARM		2		51	4600-0023	WASHER, FLAT, 3/4, PLN		6																								
	6	3211-0220	ASSY, WELD, ROM PIVOT AXLE		1		52	4600-0025	MACHINE BUSHING, 1", 18 GAGE		2																								
	7	3211-0222	ASSY, WELD 4" PIVOT LINK		1		53	4600-0027	WASHER, NYLON, 2 OD, 1 1/16 ID, 3/16		2																								
	8	3311-0349	ASSY, MECH, WT FRAME, S3302 LL		1		54	4800-0001	BELT, MECTROL		110																								
H	9	4900-PNTX	POWDER COAT, TBD		1.75 LBS.		55	4900-0005	CAP, HANDLE, 1", CHROME		3																								
	10	3500-0105	ASSY, UPHOLSTERY, SEAT, PB-361		1		56	4900-0139	BEARING, 1 ID X 2 OD, NR16-Z		6																								
	11	3500-0106	ASSY, UPHOLSTERY, BACK, PB-361		1		57	4900-0151	PULL PIN, 1/2", K320		2																								
	12	4900-UPHX	UPHOLSTERY, TBD		0.75 LIN. YDS.		58	4900-0440	PULLEY, BELT, 4.75D, 3/8B, 1.5W, MOLDED		1																								
G	13	1400-0001	TUBE, ROUND, 1", RUBBER, BLK		12		59	4900-0545	BEARING, .5" ID x 1.375 OD, MESA 1621DC+		6																								
	14	2120-0154	PLATE, BELT CLAMP, 1/4, BC-002		1		60	4900-0554	RET. RING, 1 3/8 INT., SPIRAL		6																								
	15	2120-0502	PLATE, BELT CLAMP, 1/4, BC-003		1		61	4900-0586	CAP, 1.5 X1.5, BLACK, TEXTURED		1																								
	16	2120-3826	CAP, BEARING 2 1/2 RND ALUM		4		62	4900-0589	CAP, 2.0 x 3.0, BLACK, TEXTURED		3																								
	17	2120-3848	RING, HANDLE, 1"		3		63	5220-0002	LABEL, SAFETY, KEEP HANDS, SMALL		2																								
	18	2120-3887	CAP, BEARING 1 3/4 RND ALUM		6		64	5220-0005	LABEL, SAFETY, SECURE TO FLOOR		1																								
F	19	2120-3931	BAR, MACH, PIVOT AXLE, LONG		2		65	5290-0001	SERIAL NUMBER		1																								
	20	2120-3932	BAR, MACH, PIVOT AXLE, SHORT		1		66	050-2190	LABEL, PATENTS, LNL		1																								
	21	2120-3935	BAR, CUT, BELT ROLLER		1																														
	22	2120-3940	BAR, MACH, PIVOT AXLE		1																														
	23	2120-3941	SHAFT, ROLLER PAD, (17)		1																														
E	24	2130-0062	END PLATE, UPHOLSTERY, Ø3", 1 1/32 HOLE		2																														
	25	2130-0096	BELT PIVOT MOUNT		1																														
	26	2160-0002	PLATE, STOP COVER		1																														
	27	2163-0161	LASER CUT, R.O.M. WEAR PAD		1																														
D	28	2200-0037	PLASTIC, LINK STOP		1																														
	29	2210-0009	BUSHING, SEAT POST		1																														
	30	2400-0050	PAD, FOOT, RUBBER, MED.		2																														
C	31	4210-0030	FHSCS, 3/8-16 X .875, BRIGHT Z		5																														
	32	4210-0031	FHSCS, 1/4-20 X .75, BRIGHT Z		6																														
	33	4210-0033	FHSCS, 1/4-20 X 1.0, BRIGHT Z		4																														
	34	4230-0050	BHSCS, 3/8-16 X 1, BRIGHT, Z		2																														
	35	4230-0051	BHSCS, 3/8-16 X 2 1/2, BRIGHT, Z		1																														
	36	4230-0053	BHSCS, 3/8-16 X 4, BRIGHT, Z		3																														
	37	4230-0056	BHSCS, 3/8 X 3, BRIGHT, Z		2																														
B	38	4230-0060	BHSCS, 3/8-16 X 2 3/4, BRIGHT, Z		1																														
	39	4230-0093	BHSCS, 1/4-20 X 3/4, BRIGHT, Z		5																														
	40	4230-0094	BHSCS, 5/16-18 X 4, BRIGHT, Z		2																														
	41	4230-0109	SCREW 1/4-20, 1 1/2, BHC, HK, AS, ZP		2																														
A	42	4250-0001	SSS, 10-32 X 1/8, BLK		12																														
	43	4250-0015	SSSCP, 1/4-20 X 1/2, BLK		4																														
	44	4300-0031	SHOULDER BOLT 3/8 X 1.75		1																														
	45	4500-0008	Nut, JAM, 1/4-20, Z		6																														
	46	4500-0009	NUT, JAMNYLOC, 3/8-16, NTE		7																														



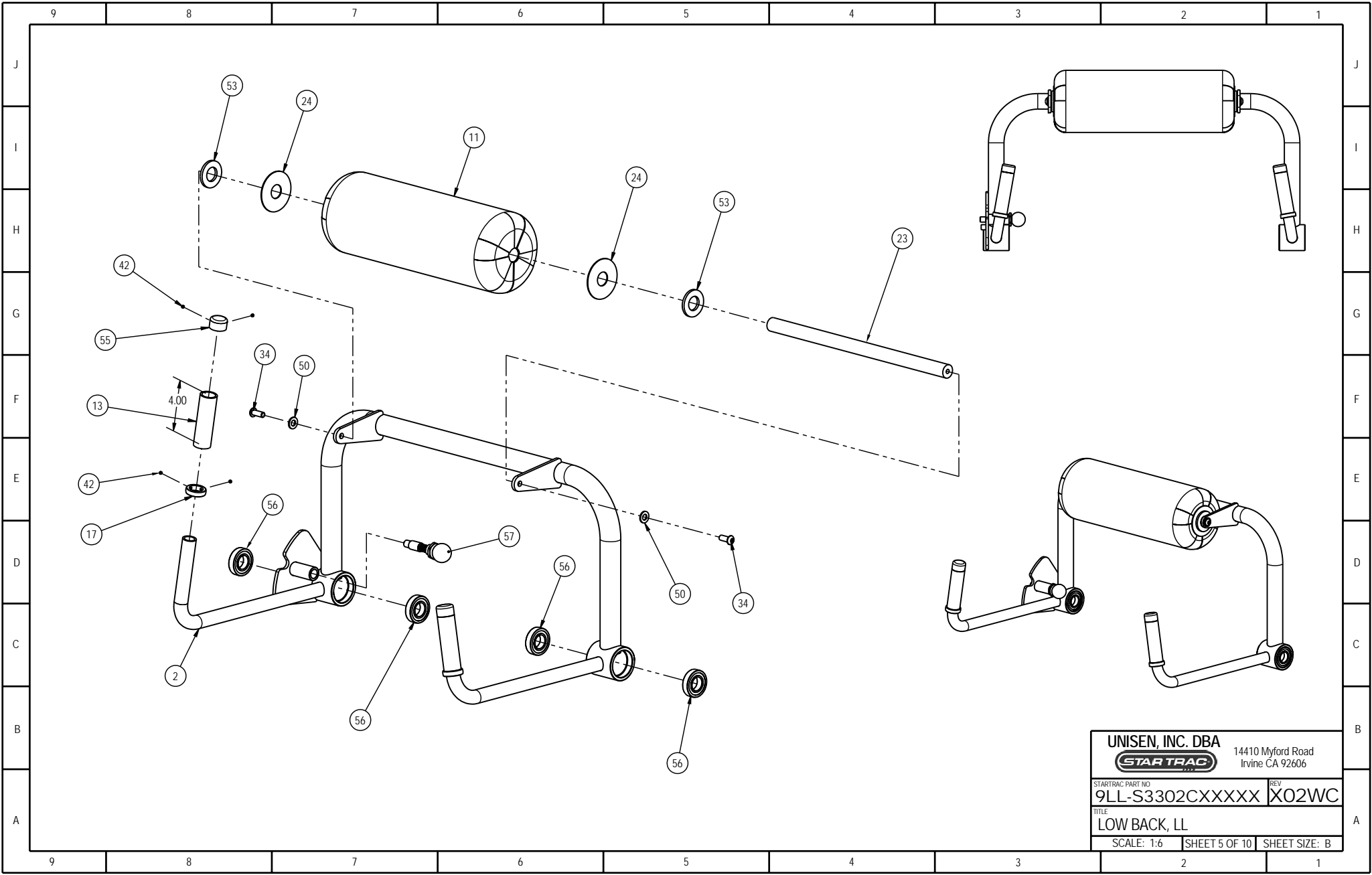
UNISEN, INC. DBA
STAR TRAC
 14410 Myford Road
 Irvine CA 92606
 STARTRAC PART NO
9LL-S3302CXXXXX REV **X02WC**
 TITLE
LOW BACK, LL
 SCALE: 1:16 SHEET 2 OF 10 SHEET SIZE: B



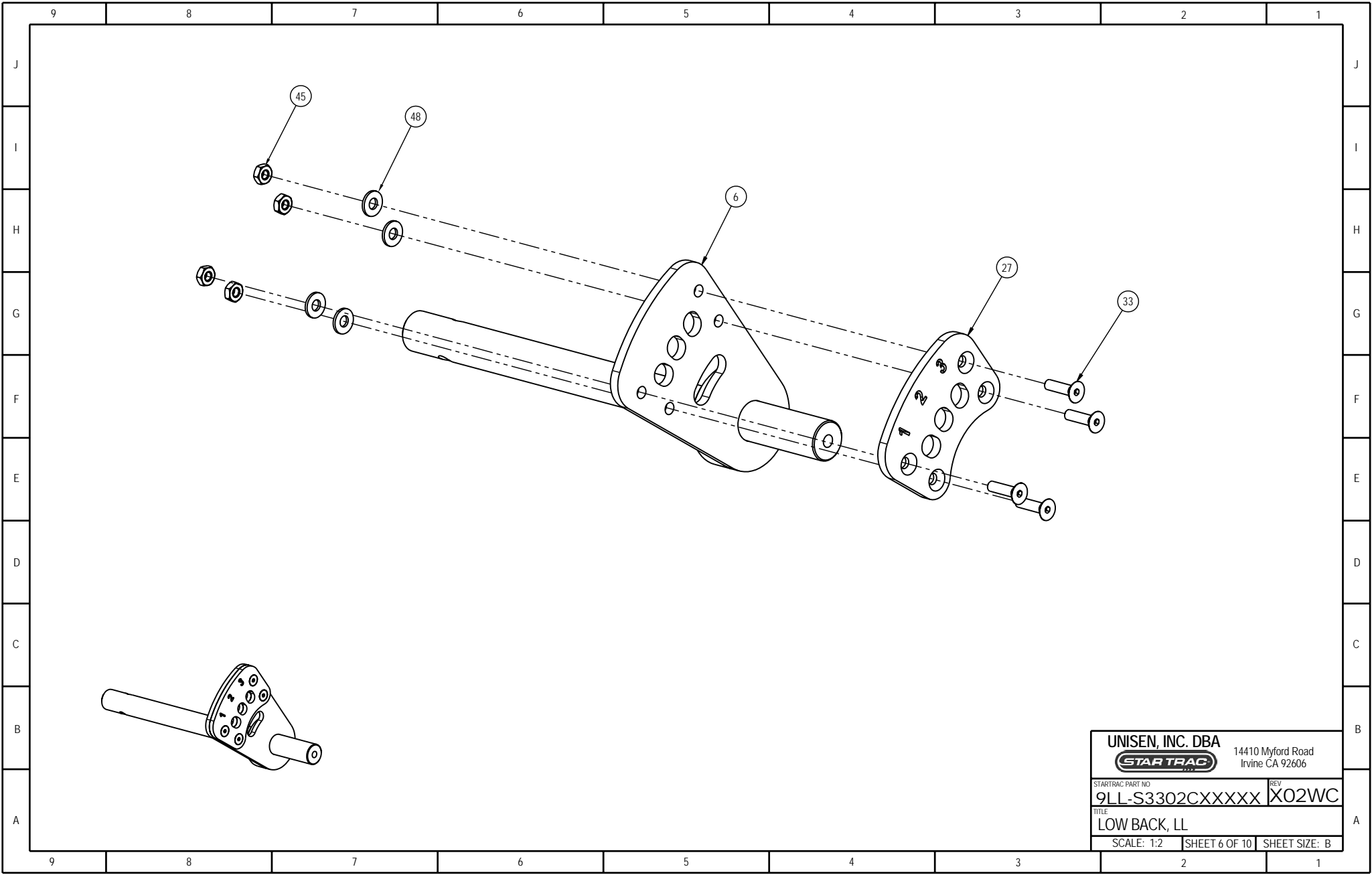
UNISEN, INC. DBA		14410 Myford Road	
STAR TRAC		Irvine CA 92606	
STARTRAC PART NO	9LL-S3302CXXXXX	REV	X02WC
TITLE	LOW BACK, LL		
SCALE: 1:16	SHEET 3 OF 10	SHEET SIZE: B	



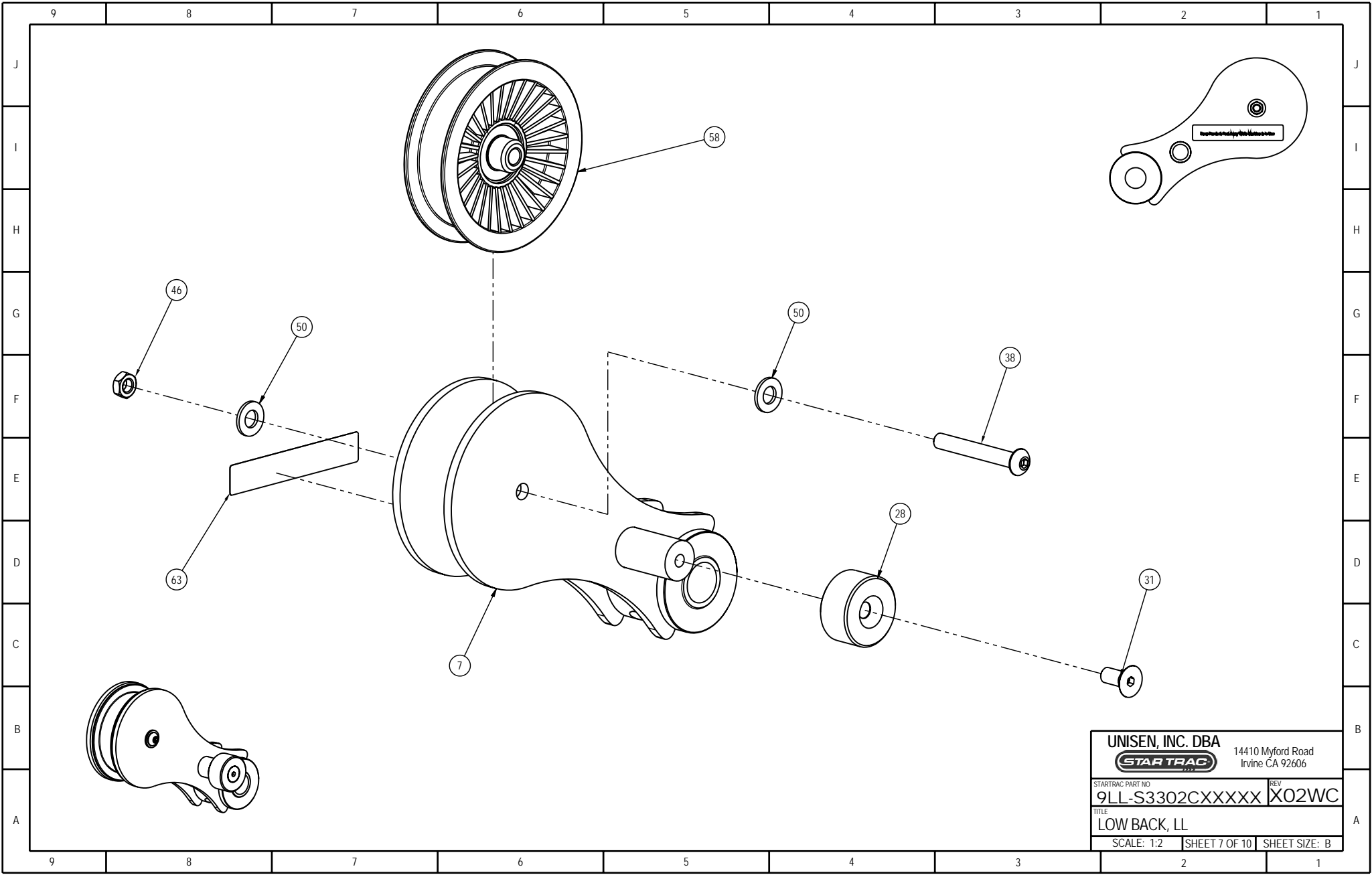
UNISEN, INC. DBA		14410 Myford Road	
STAR TRAC		Irvine CA 92606	
STARTRAC PART NO	REV		
9LL-S3302CXXXXX	X02WC		
TITLE			
LOW BACK, LL			
SCALE: 1:8	SHEET 4 OF 10	SHEET SIZE: B	



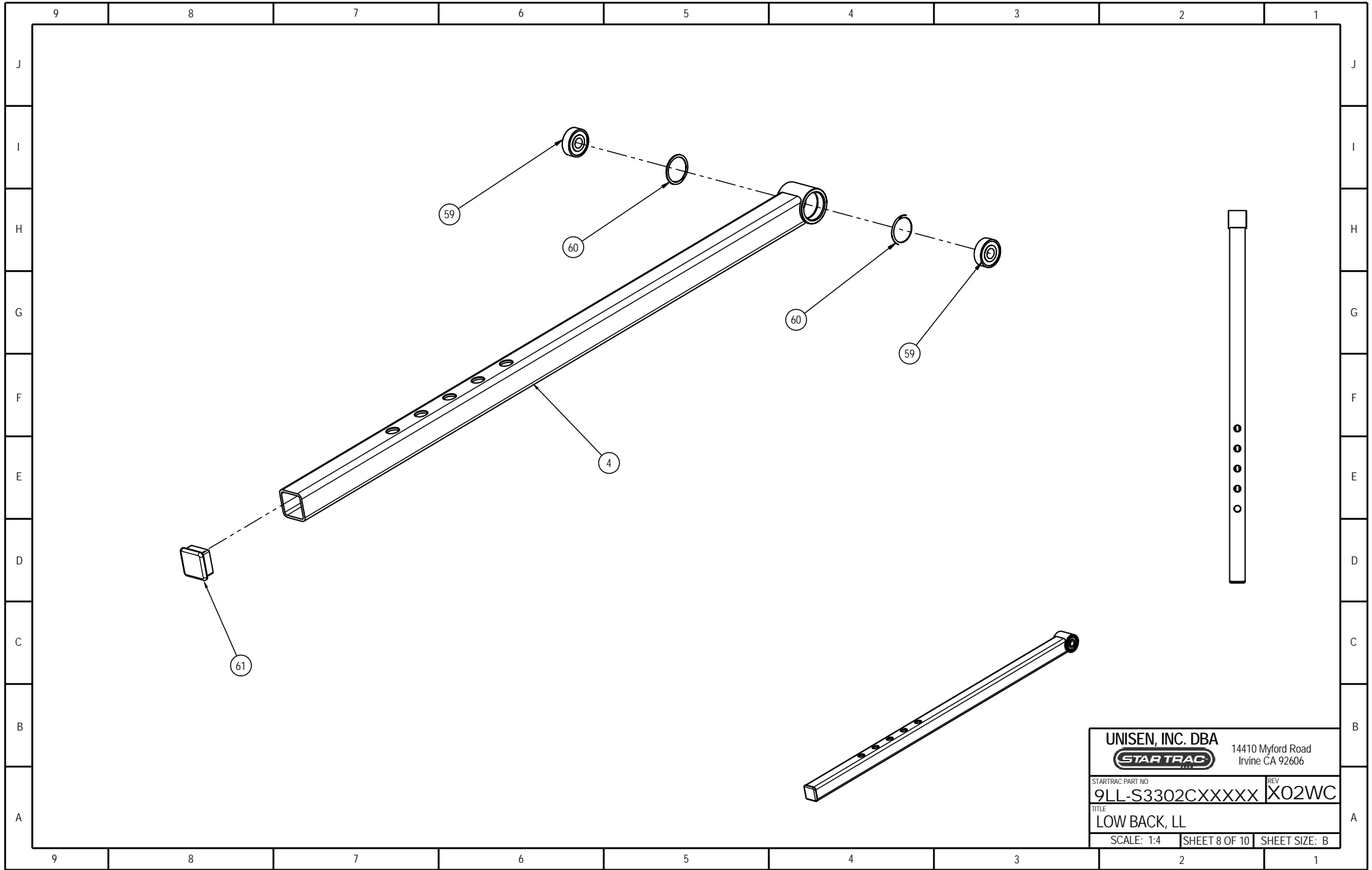
UNISEN, INC. DBA		14410 Myford Road	
STAR TRAC		Irvine CA 92606	
STARTRAC PART NO	REV		
9LL-S3302CXXXXX	X02WC		
TITLE			
LOW BACK, LL			
SCALE: 1:6	SHEET 5 OF 10	SHEET SIZE: B	



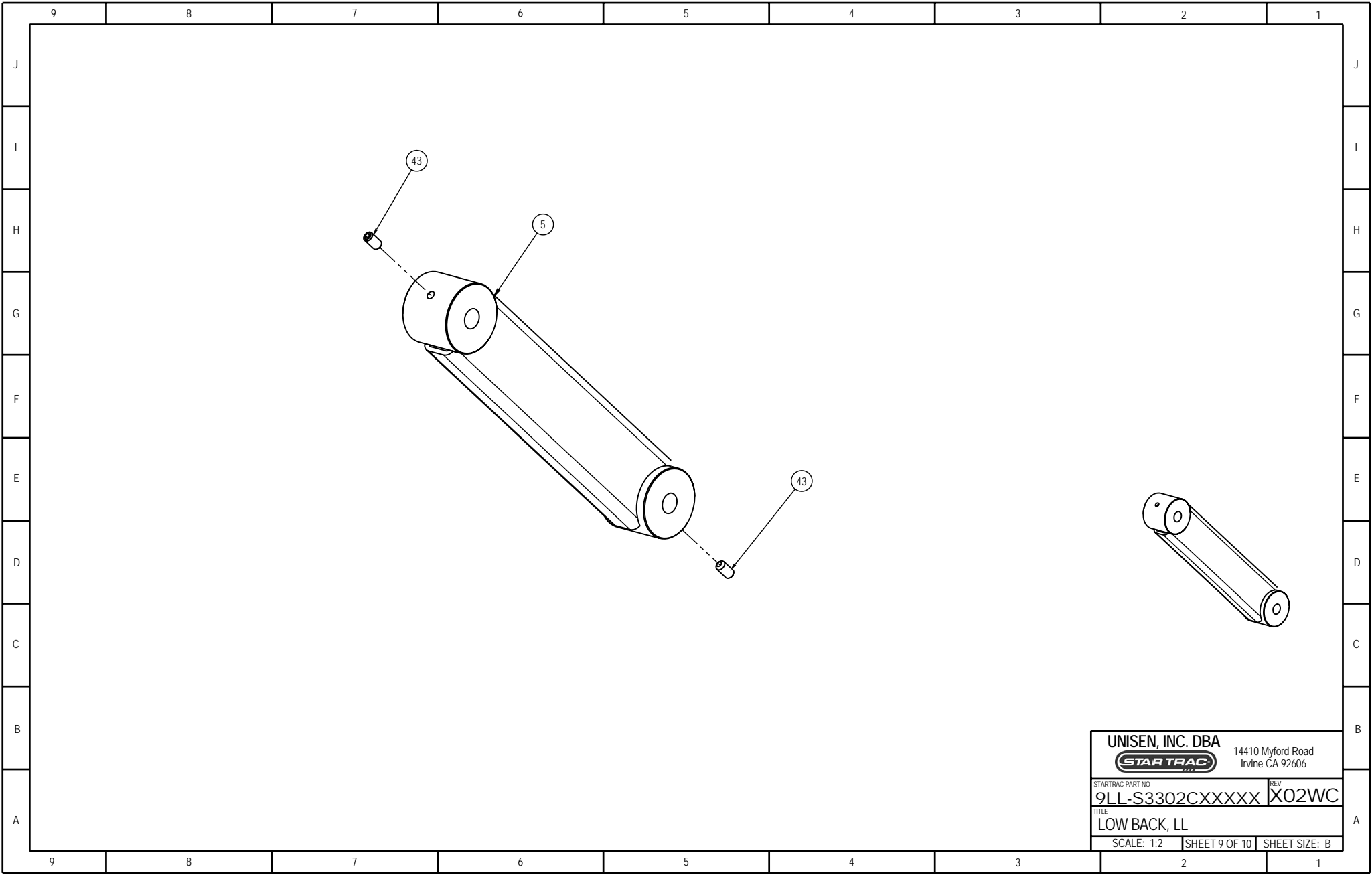
UNISEN, INC. DBA		14410 Myford Road
STAR TRAC		Irvine CA 92606
STARTRAC PART NO	9LL-S3302CXXXXX	REV X02WC
TITLE LOW BACK, LL		
SCALE: 1:2	SHEET 6 OF 10	SHEET SIZE: B



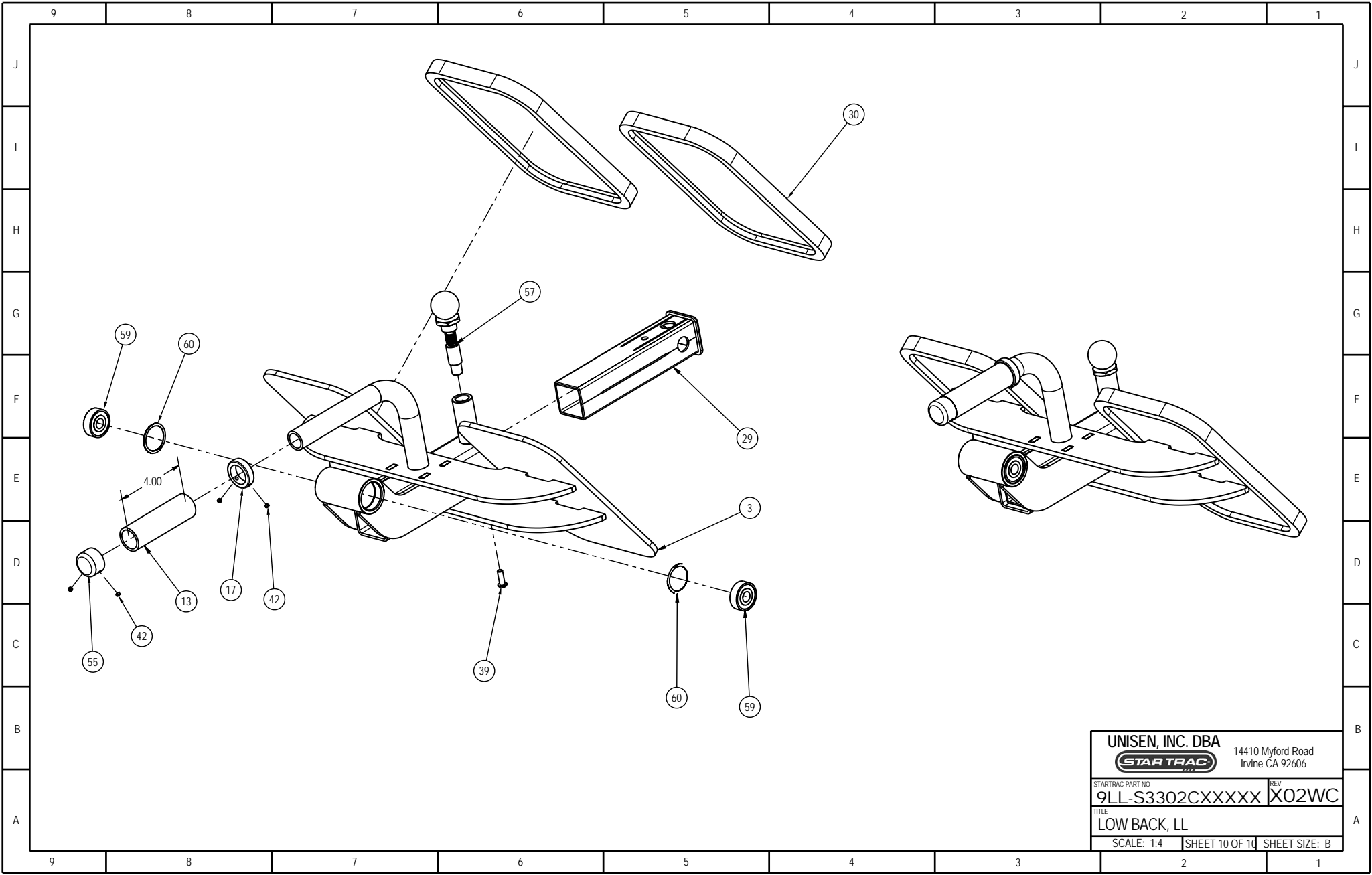
UNISEN, INC. DBA		14410 Myford Road
STAR TRAC		Irvine CA 92606
STARTRAC PART NO	REV	
9LL-S3302CXXXXX	X02WC	
TITLE		
LOW BACK, LL		
SCALE: 1:2	SHEET 7 OF 10	SHEET SIZE: B



UNISEN, INC. DBA		14410 Myford Road
STARTRAC		Irvine CA 92606
STARTRAC PART NO	REV	
9LL-S3302CXXXXX	X02WC	
TITLE		
LOW BACK, LL		
SCALE: 1:4	SHEET 8 OF 10	SHEET SIZE: B



UNISEN, INC. DBA		14410 Myford Road
		Irvine CA 92606
STARTRAC PART NO	REV	
9LL-S3302CXXXXX	X02WC	
TITLE		
LOW BACK, LL		
SCALE: 1:2	SHEET 9 OF 10	SHEET SIZE: B



UNISEN, INC. DBA		14410 Myford Road
		Irvine CA 92606
STARTRAC PART NO	REV	
9LL-S3302CXXXXX	X02WC	
TITLE		
LOW BACK, LL		
SCALE: 1:4	SHEET 10 OF 10	SHEET SIZE: B