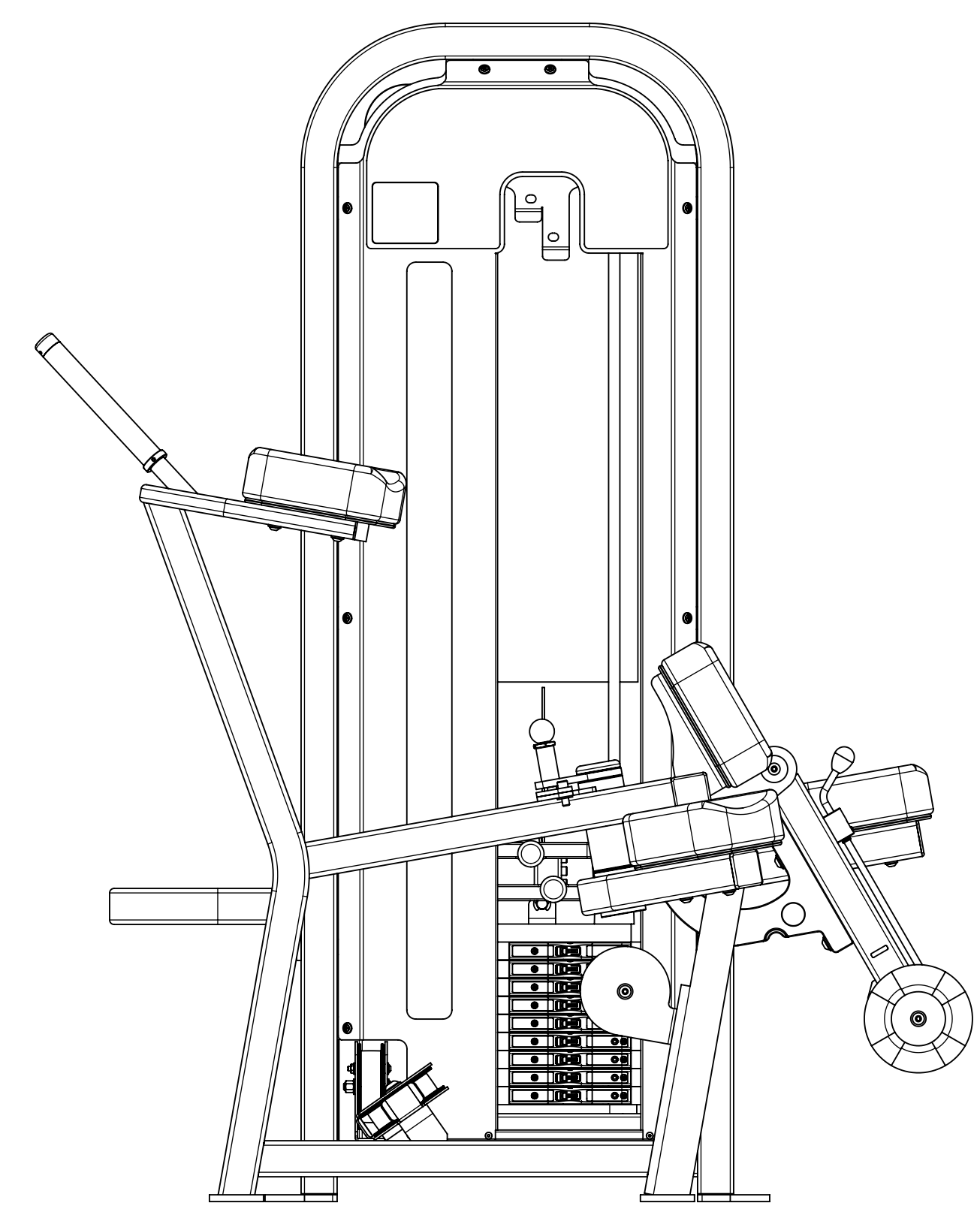
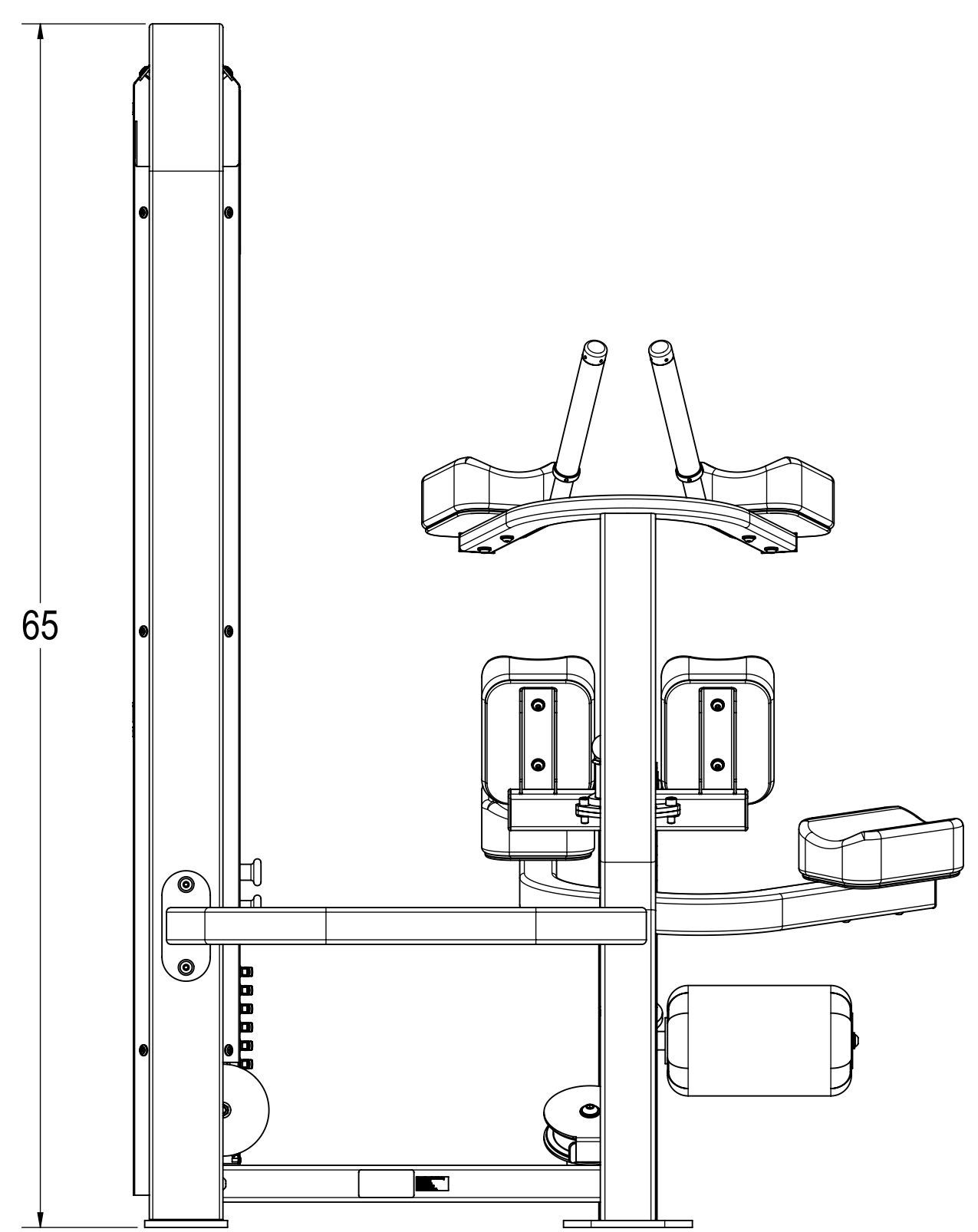
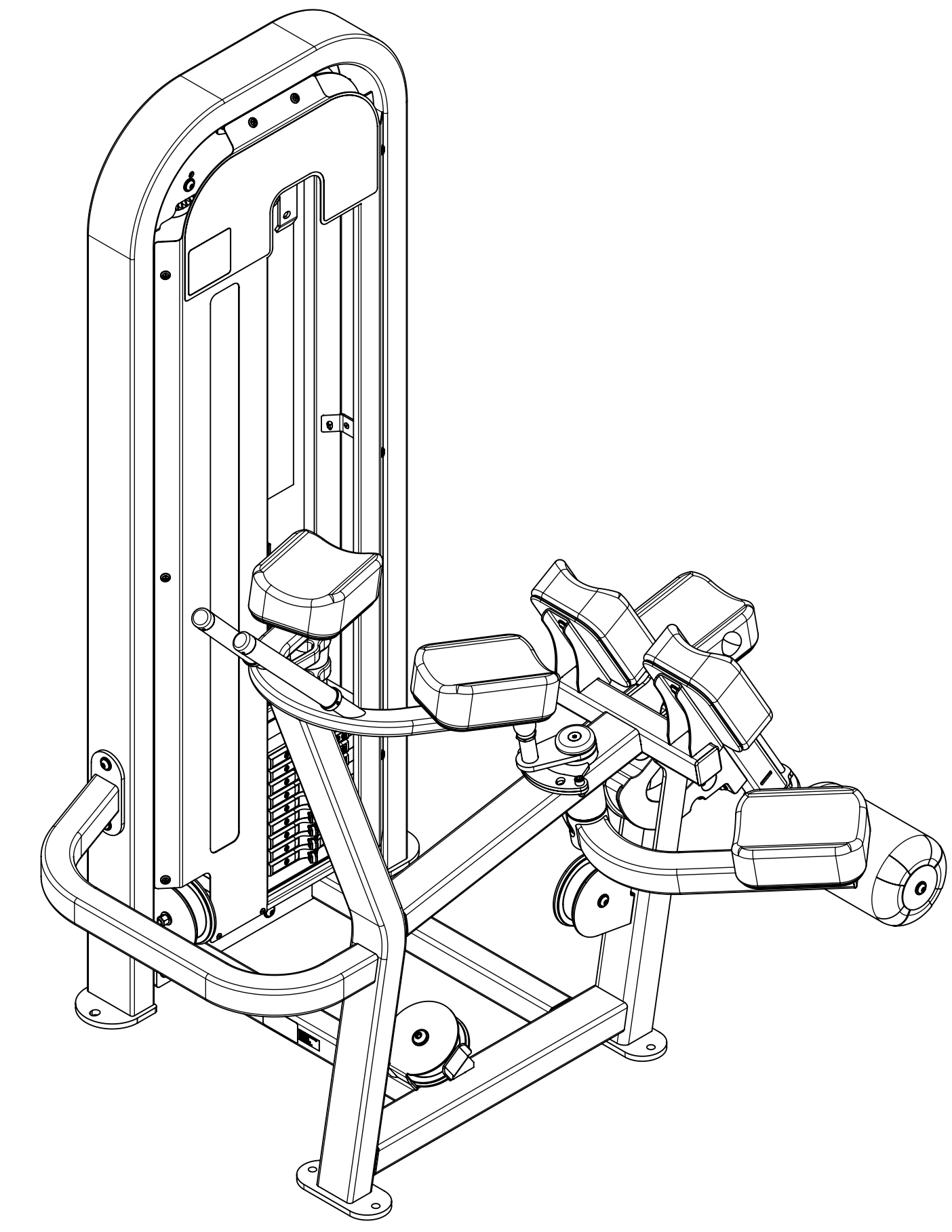
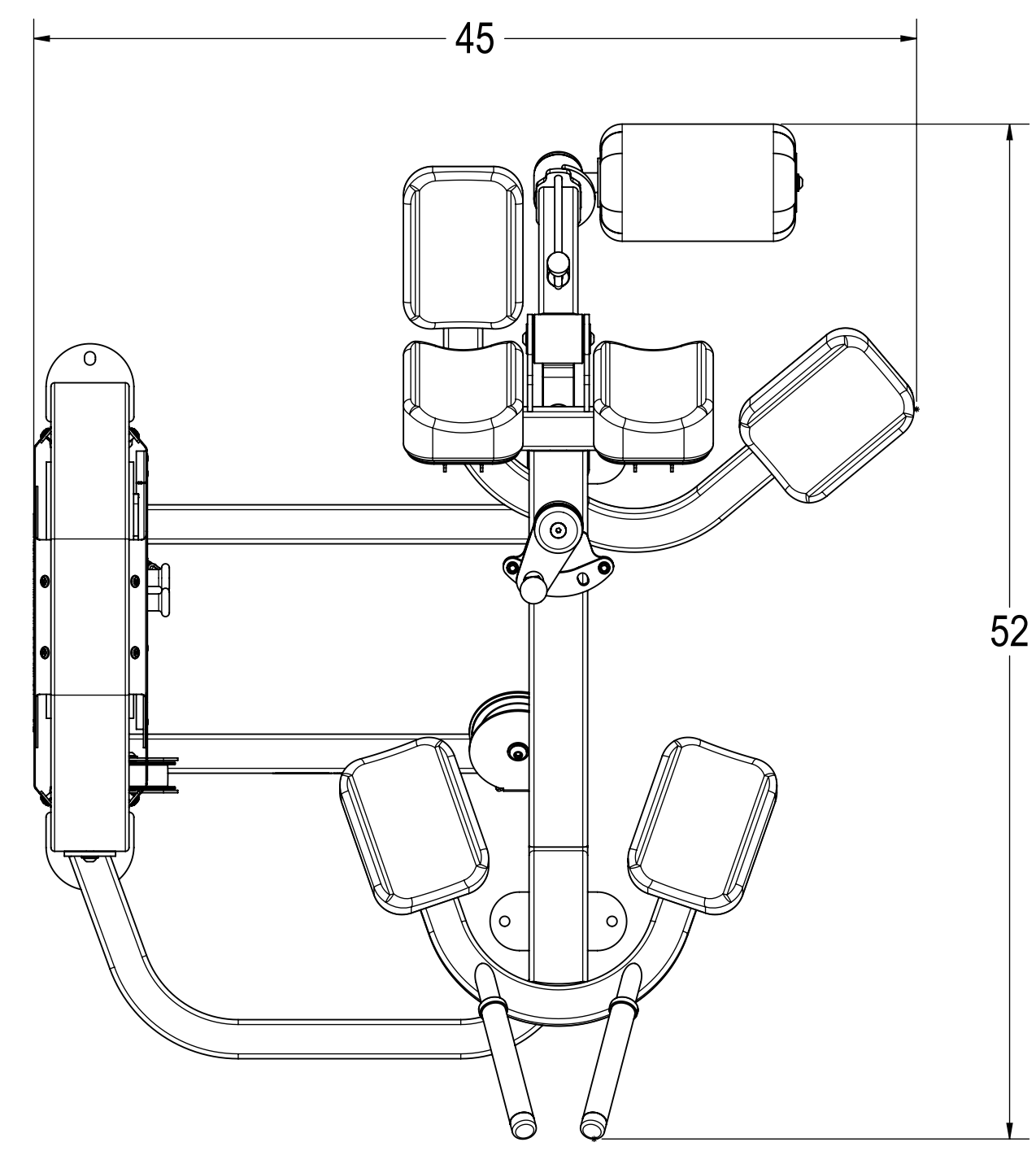


REVISION HISTORY		ECO	BY
REV	DATE	DESCRIPTION	
A	11/11/2009	INITIAL PRODUCTION RELEASE	100596 SLS

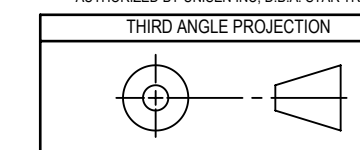


ITEM NO.	PART NUMBER	DESCRIPTION	QTY
1	3211-0238	ASSY,WELD,MAIN FRAME,S1311	1
2	3211-0239	ASSY,WELD,KNEE PIVOT,S1311	1
3	3211-0240	ASSY,WELD,ROLLER PAD PIVOT	1
4	3211-0241	ASSY,WELD,KNEE	1
5	3211-0242	ASSY,WELD,KNEE,ROM	1
6	4900-PNTX	POWDER COAT, TBD	3.0
7	3311-0381	ASSY,MECH,WT FRAME,S1311E.LL	1
8	3500-0166	ASSY,UPHOLSTERY,S1311	6
9	3500-0021	ASSY,UP,ROLLER PAD,5.70DX10LG	1
10	4900-UPHX	UPHOLSTERY, TBD	1.25
11	050-2190	LABEL,PATENTS,LNL	1
12	1400-0001	TUBE, GRIP, 1" HANDLE	2
13	2120-3826	CAP, BEARING 2 1/2 RND ALUM	2
14	2120-3848	RING, HANDLE, 1"	2
15	2120-4248	ROM PLATE,S1311	1
16	2120-4250	SHAFT,KNEE PIVOT	1
17	2120-4252	SHAFT,KNEE REST PIVOT	1
18	2120-4253	SPACER,BUSHING TO BEARING HOLDER	2
19	2130-0036	END PLATE, UPHOLSTERY, Ø 3"	1
20	2130-0066	COVER,PULLEY,5"	2
21	2140-0503	SHAFT,ROM HANDLE	1
22	4210-0029	FHCS 3/8-16 X 1.00	2
23	4220-0061	SCREW,3/8-16,1.0,SHC,HK,AS,ZP	2
24	4230-0051	BHSCS, 3/8-16 X 2 1/2, BRIGHT, Z	1
25	4230-0053	BHSCS, 3/8-16 X 4, BRIGHT, Z	3
26	4230-0056	BHSCS, 3/8 X 3, BRIGHT,Z	2
27	4230-0066	BHSCS, 3/8-16 X 3/4, BRIGHT, Z	3
28	4230-0071	BHSCS, 1/2-13 X 3, BRIGHT, Z	1
29	4230-0077	BHSCS, 1/2-13 X 1.25, BRIGHT, Z	1
30	4230-0083	BHSCS, 5/16-18 X 1 1/4, BRIGHT, Z	4
31	4230-0091	BHSCS, 3/8-16 X 1 3/4, BRIGHT, Z	2
32	4230-0099	BHSCS, 5/16-18 X 2.0, BRIGHT, Z	4
33	4230-0085	BHSCS, 5/16-18 X 3.0, BRIGHT,Z	4
34	4250-0016	SSSCP,1/4-20 X 1/2,BLK	1
35	4500-0012	NUT, HEX, JAM, 1/2-13, Z	1
36	4500-0018	NUT, 3/8-16,NYLOC,NE,STL,Z	6
37	4600-0007	WASHER, SAE, 5/16, Z	12
38	4600-0008	WASHER, SAE, 1/2, Z	2
39	4600-0009	WASHER,SAE,3/8-16,Z	17
40	4600-0025	MACHINE BUSHING, 1", 18 GAGE	3
41	4600-0044	WASHER, 1.5 OD X 3/8 ID, ZINC	2
42	4800-0001	BELT, MECTROL	170
43	4900-0005	CAP, HANDLE, 1",CHROME	2
44	4900-0037	BEARING, FLANGE, 1.008 X 1.00H	2
45	4900-0052	SPRING,O.D .5L1.5, CENTURY 921	1
46	4900-0060	PULL,RED BALL	1
47	4900-0075	CAM, VRC - 9	1
48	4900-0085	PLASTIC CAP	2
49	4900-0086	Cap, Black, 2 x 2	4
50	4900-0137	STOP, 1R, BLK, FCS1	1
51	4900-0139	BEARING, 1 ID X 2 OD, NR16-Z	4
52	4900-0151	PULL PIN, 1/2", K320	1
53	4900-0174	SET COLLAR, 3/8"	1
54	4900-0440	PULLEY,BELT,4.75D,3/8B,1.5W,MOLDED	1
55	4900-0441	PULLEY,BELT,4.75D,1/2B,1.5W,MOLDED	1
56	4900-0574	Rivet Nut, 3/8-16	2
57	5290-0001	SERIAL NUMBER	1

- NOTES:
1. INTERPRET DRAWING PER ASME Y14.5M-1994.
 2. IF APPLICABLE, CRITICAL DIMENSIONS LABELED.
 3. ALL HARDWARE IS KITTED PER 3700-0468
 4. ALL UPHOLSTERY IS KITTED PER 3700-0204

DOCUMENT STATUS:
RELEASED

UNLESS OTHERWISE SPECIFIED DIMENSIONS ARE IN INCHES. TOLERANCES ARE:
DECIMALS: .X = ±.13 .XX = ±.10 .XXX = ±.03 .XXXX = ±.010
ANGLES: 12°

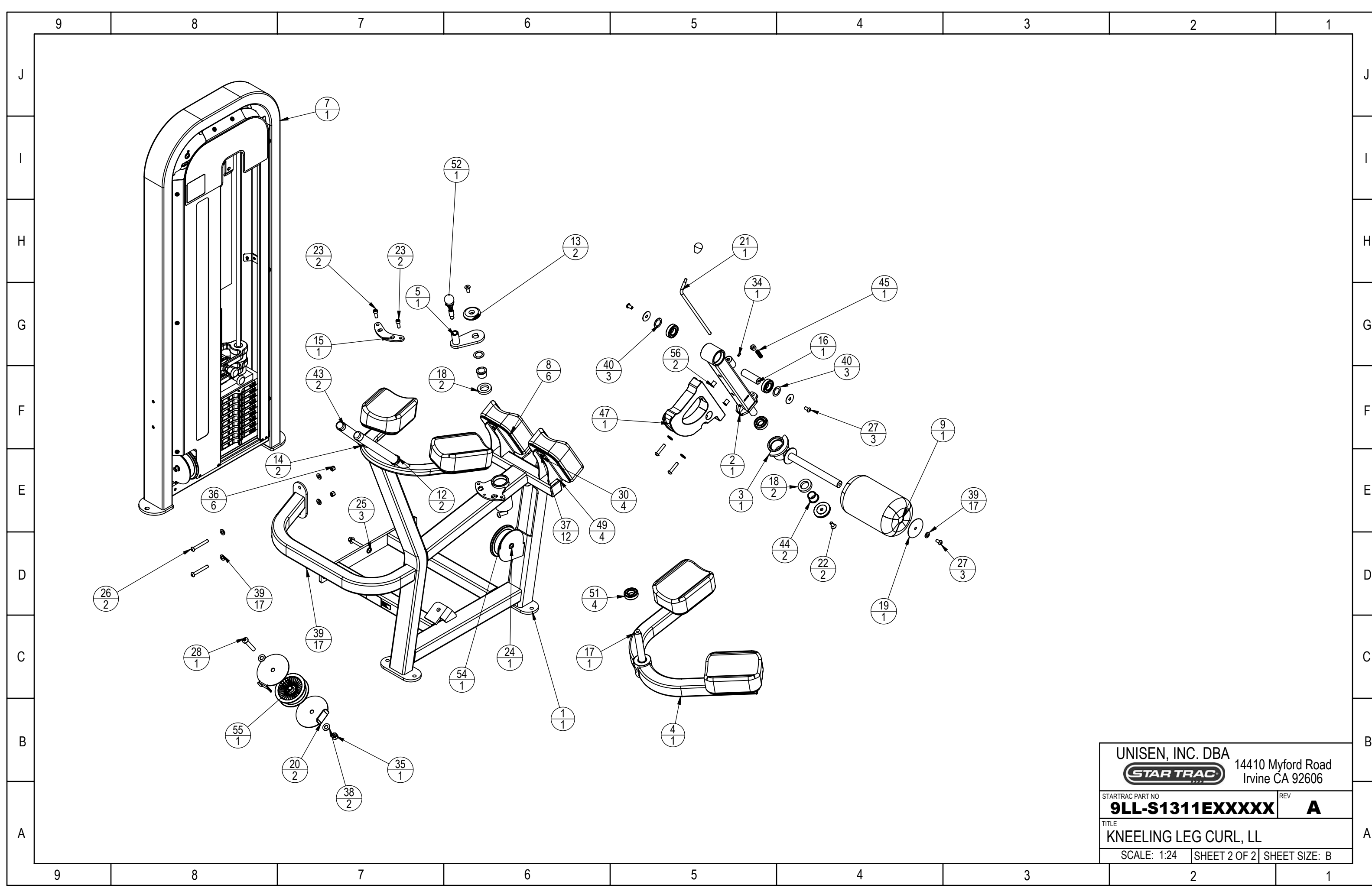


MATERIAL SEE BOM
FINISH N/A
VENDOR N/A

DATE 10/22/2009
DRAWN SLS
CHECKED
APPROVED
U.O.M. INCH
PIN: N/A

UNISEN, INC. DBA 14410 Myford Road Irvine CA 92606
STAR TRAC
DATE 10/22/2009
DRAWN SLS
CHECKED
APPROVED
U.O.M. INCH
SCALE: 1:8
SHEET 1 OF 2
SHEET SIZE: D

911-S1311EXXXXX
KNEELING LEG CURL, LL
REV A



UNISEN, INC. DBA		14410 Myford Road Irvine CA 92606	
STAR TRAC			
STARTRAC PART NO	9LL-S1311EXXXX	REV	A
TITLE KNEELING LEG CURL, LL			
SCALE: 1:24	SHEET 2 OF 2	SHEET SIZE: B	