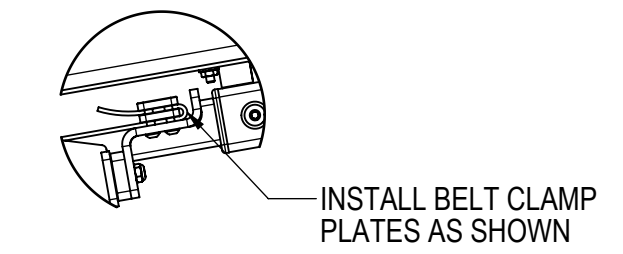
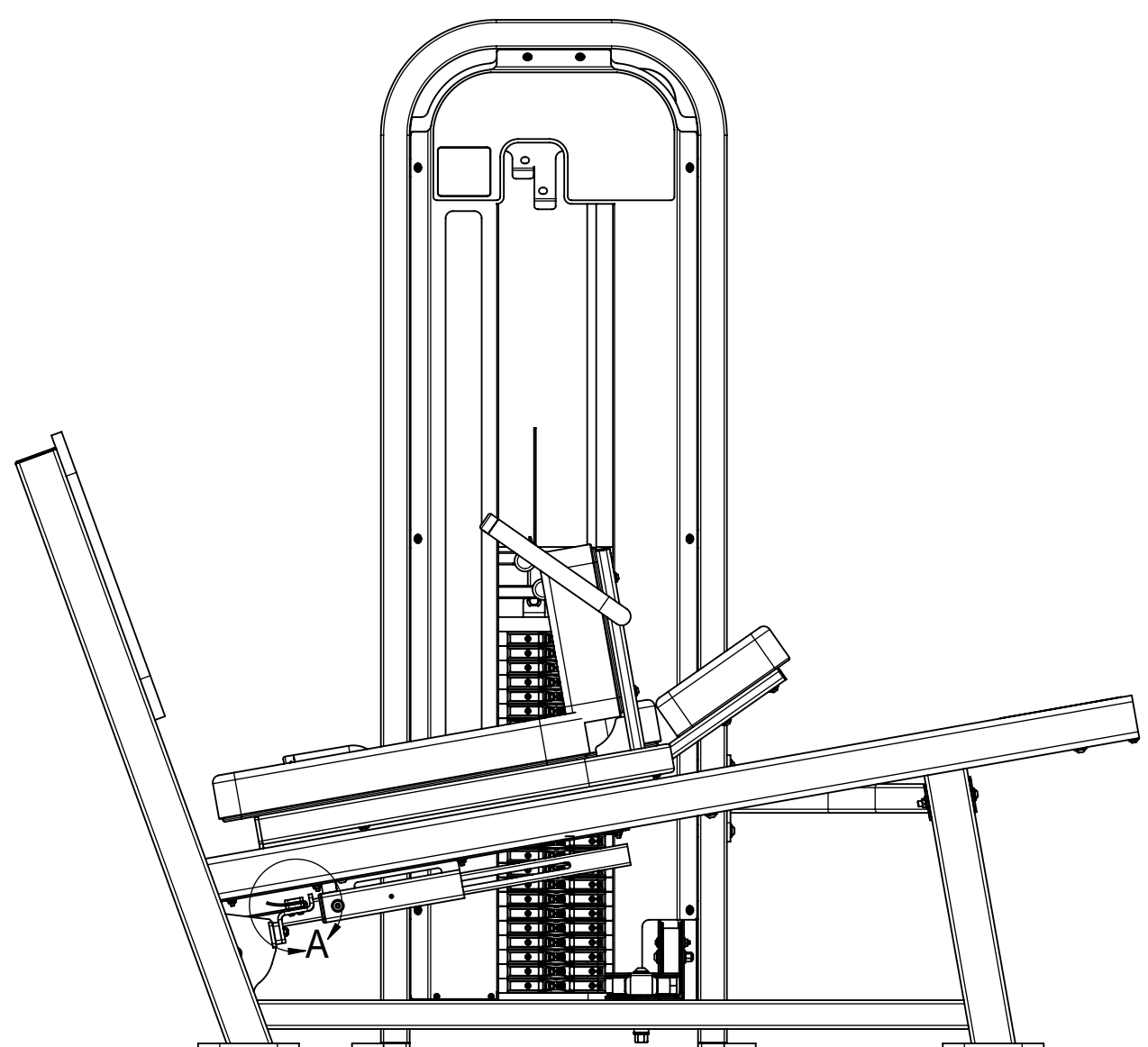
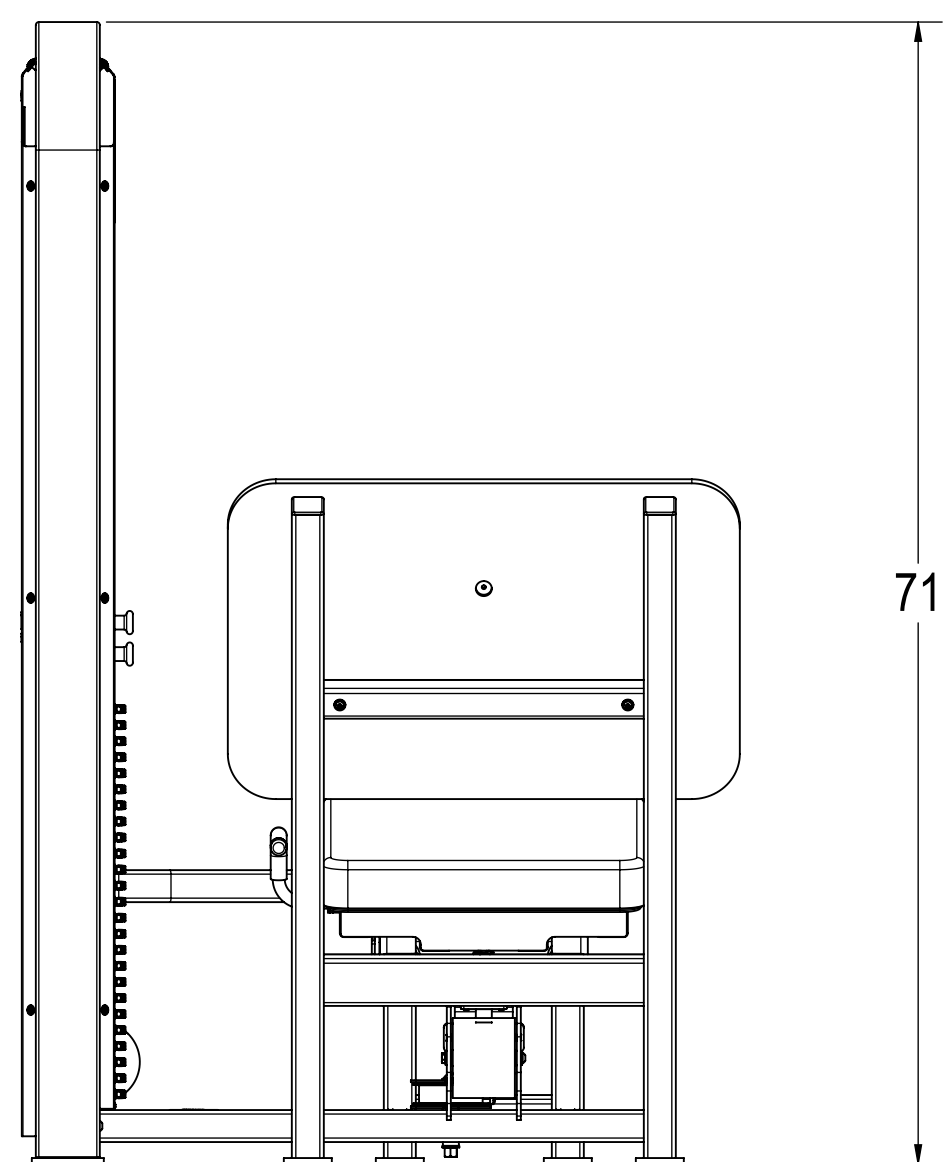
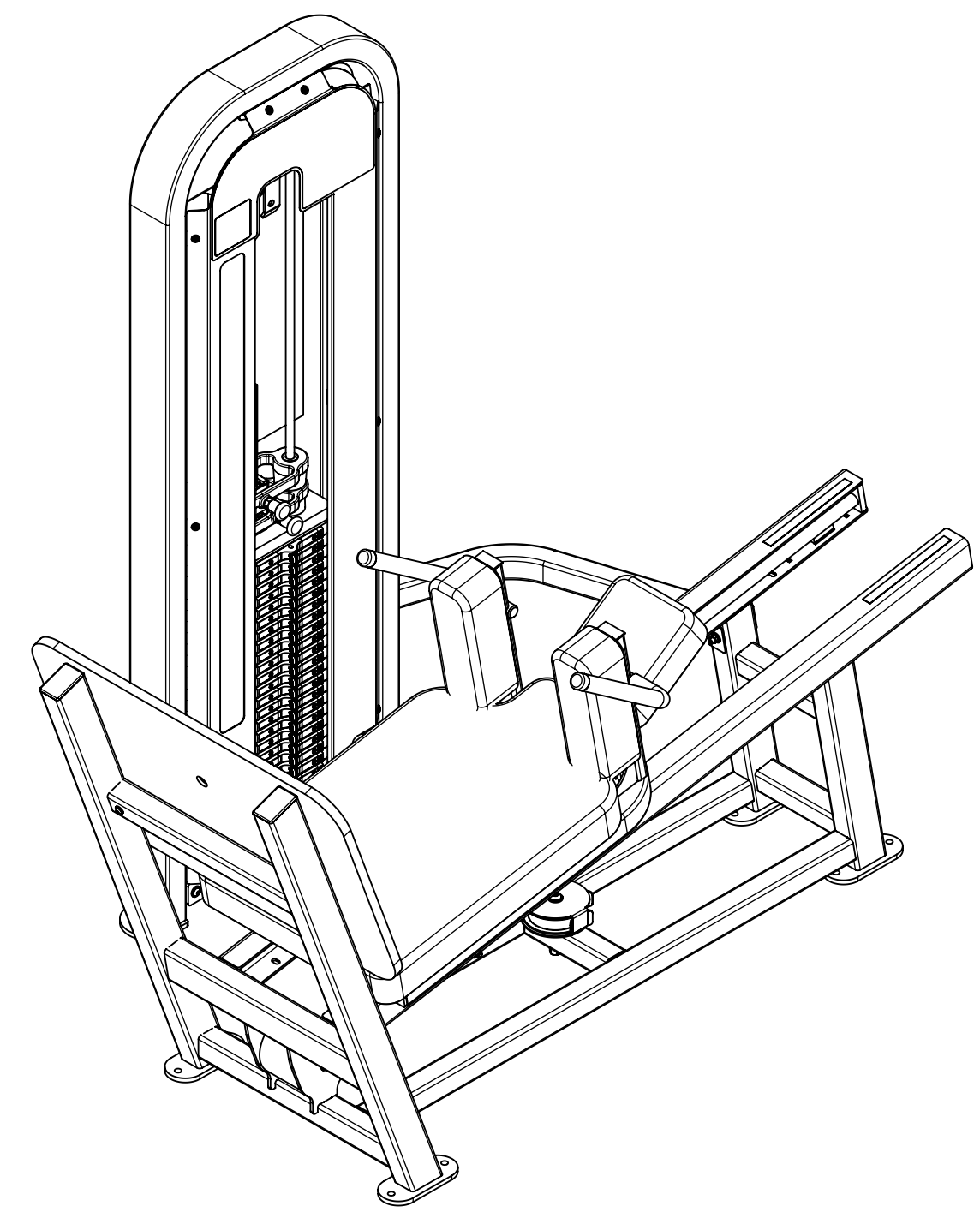
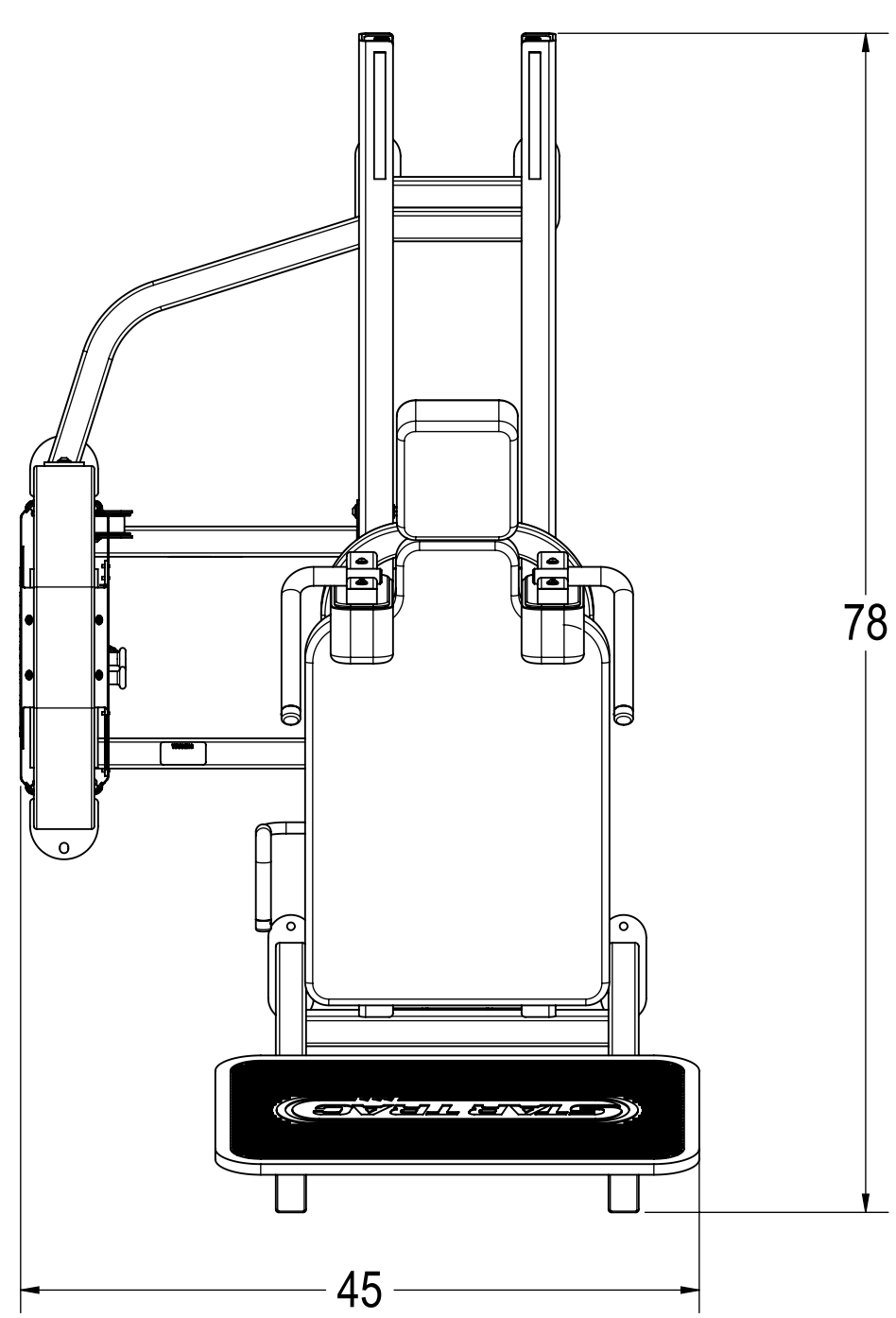


| REVISIONS | | | | |
|-----------|------------|--------------------|--------|-----|
| REV. | DATE | DESCRIPTION | ECO | BY |
| A | 11/11/2009 | PRODUCTION RELEASE | 100596 | SLS |



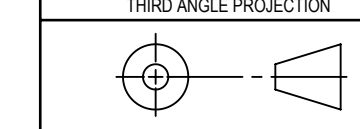
DETAIL A
SCALE 1:6

| ITEM NO. | PART NUMBER | DESCRIPTION | QTY. |
|----------|-------------|--|--------------|
| 1 | 3211-0214 | ASSY, WELD, TROLLEY, 18 INCH | 1 |
| 2 | 3211-0217 | ASSY, WELD, WT STACK CONN, LOW | 1 |
| 3 | 3211-0218 | ASSY, WELD, WT STACK CONN, SIDE | 1 |
| 4 | 3211-0219 | ASSY, WELD, ADJUST HANDLE | 1 |
| 5 | 3211-0223 | ASSY, WELD, MAIN FRAME, S1302 | 1 |
| 6 | 3211-0225 | ASSY, WELD, BACK REST, S1302 | 1 |
| 7 | 4900-PNTX | POWDER COAT, TBD | 2.25 LB |
| 8 | 3311-0372 | ASSY, MECH WT FRAME, S1302E LL | 1 |
| 9 | 3500-0055 | ASSY, UPHOLSTRY, 12x4, FL-108-B | 2 |
| 10 | 3500-0091 | ASSY, UPH, 9.5 X 8, FL-10 | 1 |
| 11 | 3500-0127 | ASSY, UPH, BACK REST, S1302 | 1 |
| 12 | 4900-UPHX | UPHOLSTRY, TBD | 1.75 LN. YD. |
| 13 | 050-2190 | LABEL, PATENTS, LNL | 1 |
| 14 | 1400-0001 | Tube, Round, 1", Rubber, Blk | 28 IN |
| 15 | 1400-0006 | TUBE, ROUND, 3/4" RUBBER, BLK | 8 IN |
| 16 | 2120-0296 | RACE, INNER, 1 X 4 1/8 | 1 |
| 17 | 2120-0379 | STANDOFF, 2", ALUMINUM | 6 |
| 18 | 2120-4052 | STOP PLATE, LINEAR SHAFT | 2 |
| 19 | 2120-4053 | PLATE, FLOOR GUARD | 1 |
| 20 | 2120-4055 | PIN, ROM RELEASE, .50 DIA | 1 |
| 21 | 2120-4081 | BELT CLAMP, 1.25 x 2.88 X .25, 27 THRU | 1 |
| 22 | 2120-4082 | BELT CLAMP, 1.25 x 2.88 X .25, 14-20 TAP | 1 |
| 23 | 2120-4084 | ROM ADJUST ARM, S1302 | 1 |
| 24 | 2130-0066 | COVER, PULLEY, 5" | 2 |
| 25 | 2210-0009 | BUSHING, SEAT POST | 1 |
| 26 | 2400-0025 | STEP, RUBBER, 32X21, U-0065 | 1 |
| 27 | 3211-0215 | ASSY, WELD, ROM, LEG PRESS | 1 |
| 28 | 4230-0047 | BHSCS, 1/4-20 X 1, BRIGHT, Z | 4 |
| 29 | 4230-0051 | BHSCS, 3/8-16 X 2 1/2, BRIGHT, Z | 1 |
| 30 | 4230-0053 | BHSCS, 3/8-16 X 4, BRIGHT, Z | 4 |
| 31 | 4230-0056 | BHSCS, 3/8 X 3, BRIGHT, Z | 5 |
| 32 | 4230-0060 | BHSCS, 3/8-16 X 2 3/4, BRIGHT, Z | 4 |
| 33 | 4230-0066 | BHSCS, 3/8-16 X 3/4, BRIGHT, Z | 1 |
| 34 | 4230-0076 | BHSCS, 1/2-13 X 4 3/4, BRIGHT, Z | 1 |
| 35 | 4230-0080 | BHSCS, 5/16-18 X 2 3/4, BRIGHT, Z | 2 |
| 36 | 4230-0095 | BHSCS, 3/8-24 X 1 1/2, BRIGHT, Z | 6 |
| 37 | 4230-0096 | 3/8-16 X 5, BRIGHT, Z | 1 |
| 38 | 4230-0098 | BHSCS, 5/16-18 X 3/4, BRIGHT, Z | 2 |
| 39 | 4230-0099 | BHSCS, 5/16-18 X 2.0, BRIGHT, Z | 6 |
| 40 | 4230-0100 | BHSCS, 5/16-18 X 3.0, BRIGHT, Z | 3 |
| 41 | 4250-0001 | SSS, 10-32 X 1/8, BLK | 6 |
| 42 | 4500-0008 | Nut, JAM, 1/4-20, Z | 8 |
| 43 | 4500-0012 | NUT, HEX, JAM, 1/2-13, Z | 1 |
| 44 | 4500-0016 | NUT, NYLOC, 5/16-18, NE, Z | 2 |
| 45 | 4500-0029 | NUT, NYLOC, JAM, 3/8-16, Z | 11 |
| 46 | 4600-0006 | FLAT WASHER, 1/4 Z | 8 |
| 47 | 4600-0007 | WASHER, SAE, 5/16, Z | 13 |
| 48 | 4600-0008 | WASHER, SAE, 1/2, Z | 2 |
| 49 | 4600-0009 | WASHER, SAE, 3/8-16, Z | 33 |
| 50 | 4800-0001 | BELT, MECTROL, SPOOL | 1 |
| 51 | 4800-0001 | BELT, MECTROL, SPOOL | 185 IN. |
| 52 | 4900-0001 | STOP, RED | 1 |
| 53 | 4900-0005 | CAP, HANDLE, 1", CHROME | 2 |
| 54 | 4900-0036 | BEARING, FLANGE, .750B X .750H | 2 |
| 55 | 4900-0044 | Pulley, Belt, 5.0d x 3/8b x 3.88w | 1 |
| 56 | 4900-0065 | CAP, HANDLE, 3/4" | 1 |
| 57 | 4900-0085 | PLASTIC CAP | 3 |
| 58 | 4900-0087 | CAP, BLACK, 2 X 3 | 2 |
| 59 | 4900-0118 | BEARING, ROLLER, 1", L16 OPEN | 4 |
| 60 | 4900-0129 | LINEAR SHAFT, 1" X 60 | 2 |
| 61 | 4900-0140 | RING, RETAIN, 1" EXT, S100-100 | 2 |
| 62 | 4900-0297 | LINK, CHAIN, #40, PL-170 | 1 |
| 63 | 4900-0441 | PULLEY, BELT, 4.75D, 1/2B, 1.5W, MOLDED | 1 |
| 64 | 4900-0575 | CARRIAGE SCREW, 1/4-20 X .75 | 8 |
| 65 | 4900-0578 | HEX, CAP, PULL PIN | 1 |
| 66 | 4900-0579 | SPRING, PULL PIN | 1 |
| 67 | 4900-0629 | PIN, SPRING, 1/8 X 3/8 | 4 |
| 68 | 5220-0001 | LABEL, SAFETY, KEEP HANDS, LARGE | 2 |
| 69 | 5220-0005 | LABEL, SAFETY, SECURE TO FLOOR | 1 |
| 70 | 5240-0014 | Label, Instructional, 1-9 Strip | 1 |
| 71 | 5290-0001 | SERIAL NUMBER | 1 |

- NOTES:
1. INTERPRET DRAWING PER ASME Y14.5M-1994.
 2. IF APPLICABLE, CRITICAL DIMENSIONS LABELED.
 3. ALL HARDWARE IS KITTED PER 3700-0441
 4. ALL UPHOLSTERY IS KITTED PER 3700-0361
 5. EST GROSS WT. 620 LBS.

DOCUMENT STATUS:
RELEASED

NOTICE OF PROPRIETARY INFORMATION
THIS DOCUMENT SHALL NOT BE REPRODUCED NOR SHALL THE INFORMATION CONTAINED HEREIN BE USED BY OR DISCLOSED TO OTHERS EXCEPT AS EXPRESSLY AUTHORIZED BY LUNSON INC. U.S.A. STAR TRAC.



MATERIAL
SEE BOM

FINISH
N/A

VENDOR N/A

PIN: N/A

| UNLESS OTHERWISE SPECIFIED DIMENSIONS ARE IN INCHES. TOLERANCES ARE: | INITIAL | DATE |
|--|---------|------|
| DECIMALS | | |
| ANGLES | | |
| X. = ±.13 | | |
| X.X = ±.05 | | |
| X.XX = ±.03 | | |
| X.XXX = ±.010 | | |

STAR TRAC
14410 Myford Road
Irvine CA 92606

911-51302EXXXXX

LYING LEG PRESS, LL

SCALE: 1:12 SHEET 1 OF 2 SHEET SIZE: D

DETAIL B
SCALE 1:4

DETAIL C
SCALE 1:4

