

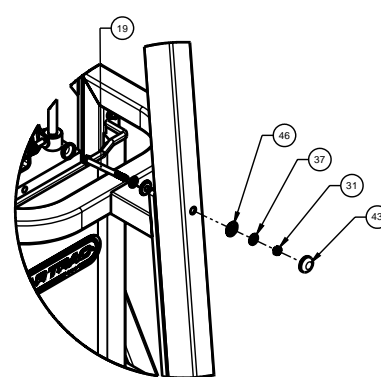
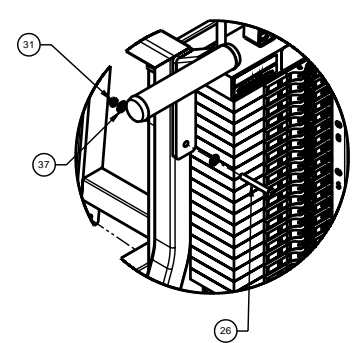
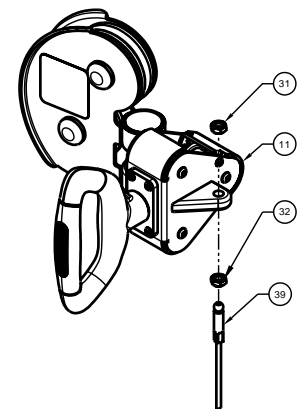
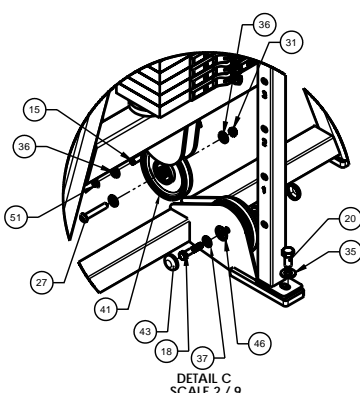
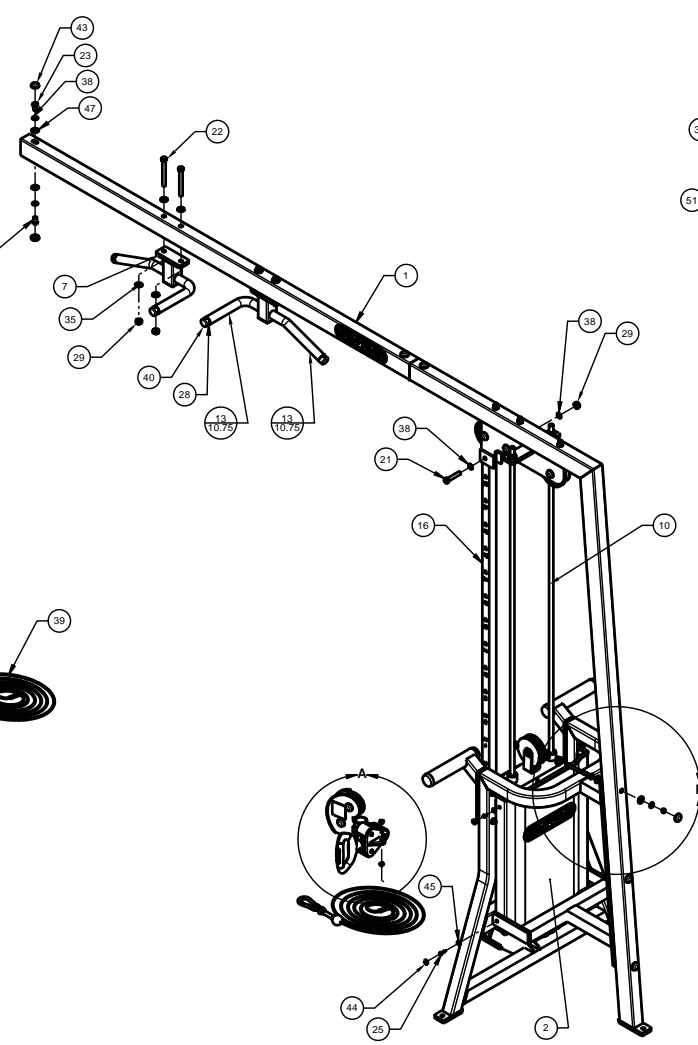
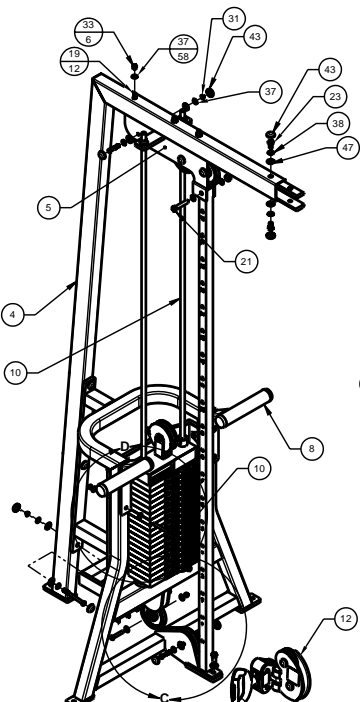
REVISIONS				
REV.	DATE	DESCRIPTION	EGS	BY
A		RELEASE FOR PRODUCTION		

ITEM NO.	PART NUMBER	DESCRIPTION	QTY.
1	2120-2545	TUBE, CUT, 2 X 3 X .120, 80	1
2	2130-0032	SHROUD, WEIGHT, 24", WS-2	2
3	3260-0001	ASSY, WELD, MAIN FRAME, FC-201B	2
4	3260-0002	ASSY, WELD, UPRIGHT, FC-201B	2
5	3260-0003	ASSY, WELD, PULLEY MOUNT, FC-201B	2
6	3260-0007	ASSY, WELD, CHIN UP, RH	1
7	3260-0008	ASSY, WELD, CHIN UP, LH	1
8	3260-0067	ASSY, WELD, BALLET HANDLE, RH	2
9	3260-0068	ASSY, WELD, BALLET HANDLE, LH	2
10	3310-0212	ASSY, MECH, WT STACK, LL, 180/200, XO	2
11	3360-0036	ASSY, MECH, DUAL PULLEY, X-OVER, LH	1
12	3360-0037	ASSY, MECH, DUAL PULLEY, X-OVER, RH	1
13	1400-0001	TUBE, ROUND, 1", RUBBER, BLK	43
14	2120-1376	BAR, MACH, 1/2 X 1.75 X 8, COUPLING	4
15	2120-4427	CABLE ROLLER, WIDE	2
16	3260-0064	ASSY, SS, RH, X-OVER, WELD	1
17	3260-0065	ASSY, SS, LH, X-OVER, WELD	1
18	4161-0016	HCS 3/8-16 X 1.75 Z5	9
19	4161-0023	HH, 3/8-16x4.00 Z	12
20	4161-0034	HCS, 1/2-20 X 1, ZINC	2
21	4161-0039	HCS, 1/2-20 X 2.50, ZINC	2
22	4161-0043	HCS, 1/2-20 X 4 1/2, ZINC	4
23	4161-0055	HCS, 1/2-20 X .75	8
24	4230-0005	BHSCS, 1/4-20 X 1/2	4
25	4230-0007	BHSCS, 250-20 X 1.00 BO	4
26	4230-0056	BHSCS, 3/8 X 3, BRIGHT Z	8
27	4230-0057	BHSCS, 3/8 X 2 1/4, BRIGHT Z	2
28	4250-0001	SSS, 10-32 X 1/8, BLK	8
29	4500-0004	NUT, NYLOC, 1/2-20	6
30	4500-0008	NUT, JAM, 1/4-20 Z	8
31	4500-0009	NUT, JAM, NYLOC, 3/8-16, NTE	27
32	4500-0011	NUT, HEX, JAM, 3/8-16, Z	2
33	4500-0018	NUT, 3/8-16, NYLOC, NTE, STL Z	6
34	4600-0006	FLAT WASHER, 1/4 Z	8
35	4600-0008	WASHER, SAE, 1/2, Z	10
36	4600-0009	WASHER, SAE, 3/8-16, Z	8
37	4600-0013	WASHER, SAE, 3/8, Z	58
38	4600-0023	WASHER, FLAT, 3/4, PLN	12
39	4800-0069	CABLE X-OVER W/EYE BOLT	2
40	4900-0005	CAP, HANDLE, 1", CHROME	4
41	4900-0049	PULLEY, CABLE, 4.5D X 3/8 X 1.0 W	10
42	4900-0136	CAP, WEIGHT, NO INDICATOR, BLK	8
43	4900-0145	CAP, BLACK, RH-20	36
44	4900-0146	CAP, BLACK, RH-10	8
45	4900-0147	CAP, WASHER, 1/4"	8
46	4900-0149	WASHER, CAP, 3/8", RHW-205	31
47	4900-0150	WASHER, CAP, 1/2", RHW-207	8
48	4900-0170	CLIP, CARABINEER, 3/8 IN., CLP	2
49	4900-0298	GRD. EDGE TRIM LOCK, 75B3 X 1/8	41.5
50	4900-0588	CAP, 2.0 X 2.0, BLACK, TEXTURED	2
51	4900-0634	RETAINING RING, KLIPRING, 3/8	4
52	5220-0026	LABEL, WARNING, AUTHORIZED	4
53	5220-0027	LABEL, WARNING, NOT A STEP	2
54	5220-0031	LABEL, WARNING, PIN ENGAGE	2
55	5230-0005	LOGO, STAR TRAC, 10.5"	4
56	5290-0001	SERIAL NUMBER	1
57	050-2190	LABEL, PATENTS, LNL	1
58	4900-0191	STRAP, ANKLE, FAS	2
59	4900-0201	HANDLE, SINGLE, FSH	2
60	4900-0204	ROPE, TRICEP, FTR	1

- NOTES:
1. INTERPRET DRAWING PER ASME Y14.5M-1994.
  2. IF APPLICABLE, CRITICAL DIMENSIONS LABELED.
  3. ALL HARDWARE IS KITTED PER 3700-0328.
  4. ALL ACCESSORIES ARE KITTED PER 3700-0304.
  5. EST. GROSS WT. 665 LBS.

DOCUMENT STATUS:  
DEVELOPMENT

	UNISEN, INC. DBA Irvine, CA 92606
	14410 Myford Road Irvine, CA 92606
MATERIAL SEE BOM	FINISH N/A
DATE FOR DIMENSIONS SPECIFIED IN DIMENSIONS AND IN NOTES: 1/14/2009	DATE FOR DIMENSIONS SPECIFIED IN DIMENSIONS AND IN NOTES: 1/14/2009
DRAWN: SLS CHECKED: SLS APPROVED: SLS	911-IM9302-XXXXS-001 CROSS OVER CABLES W/ADJ PULLEYS, LL
U.O.M: NCH	SCALE: 1:8 SHEET OF 2 SHEET SIZE: B



UNISEN, INC. DBA 14410 Myford Road  
**STAR TRAC** Irvine, CA 92606  
 9LL-1M9302-XXXXS 001  
 CROSS OVER CABLES W/ADJ PULLEYS, LL  
 SCALE: 1/8 SHEET 2 OF 2 SHEET SIZE: B