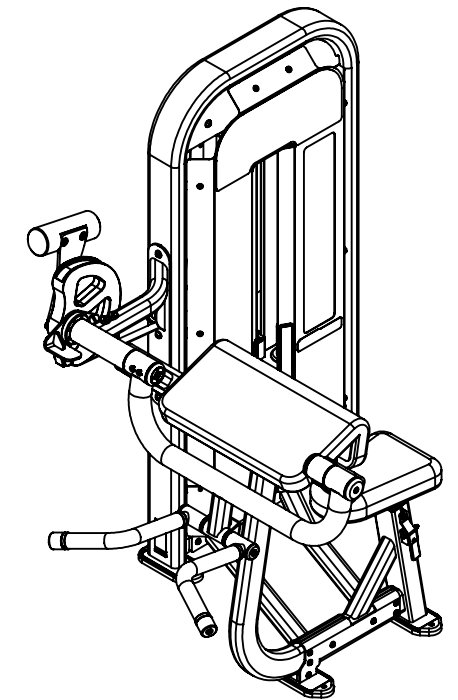
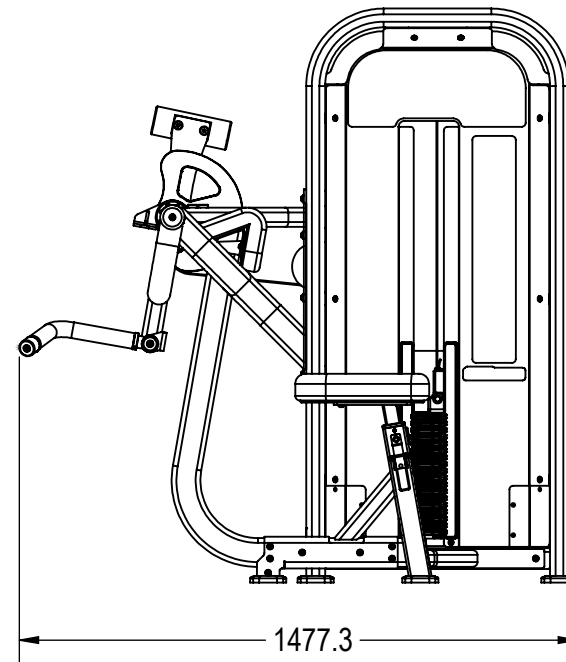
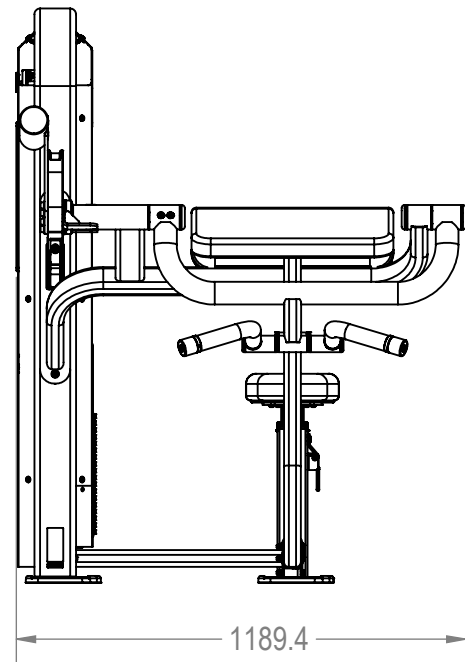
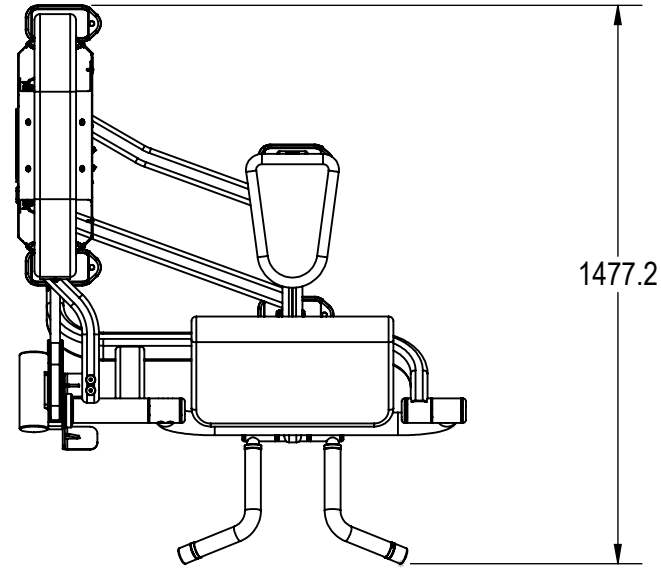


REVISION HISTORY				
REV	DATE	DESCRIPTION	ECO	BY
A	12/1/2011	RELEASED FOR PRODUCTION AT LAND AMERICA	----	LA
B	5/30/2012	UPDATE DESIGN, THE FOLLOWING COMPONENTS HAVE BEEN UPDATED: 731-3109, 731-4063, 731-4078, 731-4082, 731-4086, 731-4088, 731-4124, 731-5217.	13689	CLK



NOTICE OF PROPRIETARY INFORMATION  
 THIS DOCUMENT SHALL NOT BE REPRODUCED NOR SHALL THE INFORMATION CONTAINED HEREIN BE USED BY OR DISCLOSED TO OTHER EXCEPT AS EXPRESSLY AUTHORIZED BY CORE INDUSTRIES, INC., D.B.A. STAR TRAC.

**DOCUMENT STATUS:**

NOTES:

CLASS OF WORK	UNLESS OTHERWISE SPECIFIED DIMS ARE IN mm. TOLERANCES FOR MEASURE OF LENGTH ARE:							ANGLES = ±2°
	0.5 to 3	> 3 to 6	> 6 to 30	> 30 to 120	> 120 to 400	> 400 to 1000	> 1000 to 2000	
FINE	±0.05	±0.05	±0.1	±0.15	±0.2	±0.3	±0.5	----
MEDIUM X	±0.1	±0.1	±0.2	±0.3	±0.5	±0.8	±1.2	±2
COARSE	±0.2	±0.3	±0.5	±0.8	±1.2	±2	±3	±4
VERY COARSE	----	±0.5	±1	±1.5	±2.5	±4	±6	±8

MATERIAL  
SEE BOM

FINISH  
N/A

VENDOR: N/A

P/N: N/A

THIRD ANGLE PROJECTION

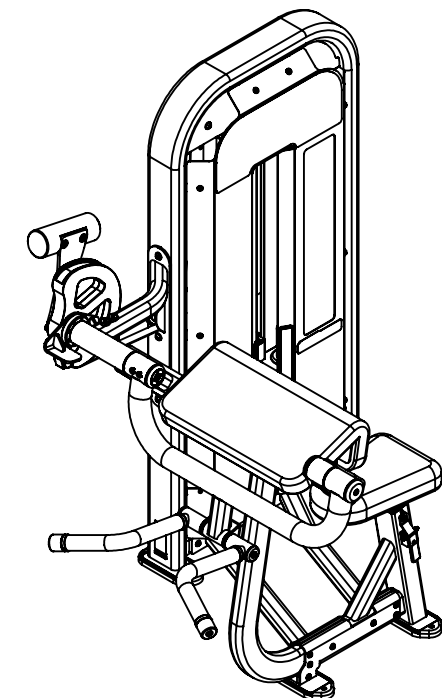


DRAWN	INITIAL CLK	DATE 5/23/2012
CHECKED		
APPROVED		
	U.O.M.	MM

CORE INDUSTRIES, INC. DBA  
 14410 Myford Road  
 Irvine CA 92606

STARTRAC PART NO	REV
<b>LA-S5301-XXXXS</b>	<b>B</b>
TITLE <b>LA, SSS, BICEPS CURL</b>	
SCALE: 1:20	SHEET 1 OF 7   SHEET SIZE: B

	9	8	7	6	5	4	3	2	1				
J	ITEM NO.	PART NUMBER	DESCRIPTION	QTY.	ITEM NO.	PART NUMBER	DESCRIPTION	QTY.	ITEM NO.	PART NUMBER	DESCRIPTION	QTY.	J
	1	4800-0001	BELT, 5301	2500	46	731-1932	RIVET,5MM	20	91	731-4093	ASSY,WELD,PASS THROUGH,5301	1	
	2	4900-0072	CAM, VRC-6	1	47	731-1933	RIVET, PUSH TYPE	19	92	731-4095	CAP, END,44MM	2	
	3	4900-0440	PULLEY,BELT,4.75D,3/8B,1.5W,MOLDED	1	48	731-1939	RING,RETAINING,ID,35MM	2	93	731-4096	PLATE, MOUNT,C'BALANCE,5301-2	1	
I	4	4900-0620	PULLEY,BELT,4.75D,3/8B,1.74W,MOLDED	2	49	731-2079	SCREW,M4 X .7,8MM,SHC,HK,NP	2	94	731-4098	STICKER,NAME,BICEPS CURL	1	
	5	4900-0626	TAPE, 3M VHB 5925	1100	50	731-2080	BUMPER,ADJ,HYPER	1	95	731-4099	C'BALANCE, 7KG	1	
	6	730-0913	BUMPER,DIA 25MM	5	51	731-2396	WASHER,ID10.4,OD40,BZ	2	96	731-4100	WASHER,M15,HAT x 4.75	2	I
	7	731-0033	NUT, RIVET,M8 X 1.25	1	52	731-2523	SCREW,M6,50MM,SHCS,HK,CS,BZ	1	97	731-4101	SHAFT,PIVOT,HANDLES,5301	1	
	8	731-0034	WASHER,M8,34MM OD,1.5MM THK	1	53	731-2647	FOOT,LONG,LEVERAGE	4	98	731-4102	SHAFT, 25MM X 141.5	1	
H	9	731-0113	ASSY,2.5Kg,ADD ON	1	54	731-3109	SHROUD,INSIDE,TALL,IMP	1	99	731-4120	BRKT,OUTER BOLT PLATE,5301-2	1	
	10	731-0120	SCREW, M8 X 1.25, 20MM, FHM,HK	2	55	731-3111	SHROUD,OUTSIDE,SHORT,IMP	1	100	731-4122	ASSY,WGT FRAME,5301-2	1	
	11	731-0124	CAP,GUIDE ROD,RUBBER	2	56	731-3113	BRKT,SHROUD,IMP	5	101	731-4123-00XX	ASSY,UPHOLSTREY,ELBOW PAD,5301-2	1	H
	12	731-0130	BEARING,15mm BORE,35MM OD,11MM	2	57	731-3114	BRKT, SHROUD, UPPER,IMP	2	102	731-4124	GRIP, 5301	2	
	13	731-0137	BEARING,52 OD,25 ID,X 15MM	4	58	731-3115	HOUSING,PLASTIC,WGT STACK,IMP	2	103	731-4780	STICKER,LOCK N LOAD,IMPACT	1	
G	14	731-0208	MACHINE WASHER 25MM ID	4	59	731-3116	BRKT,MOUNT,LOWER,INCR CHNL,IMP	1	104	731-4882	WINDOW,IMP,SHORT	1	
	15	731-0225	SCREW,M3.5 X 9.5,SELF TAPPING	4	60	731-3117	COVER,SHROUD,LEFT,IMP	1	105	731-4894	NUT,M16X1.5, NYLOC, ZP	1	G
	16	731-0287	NUT,M8x1.25,NYLOCK	7	61	731-3118	COVER,SHROUD,RIGHT, IMP	1	106	731-4954	PLACARD,IMPACT,BICEPS CURL	1	
	17	731-0312	CAP, END, 65MM	2	62	731-3122	Brkt,mount,upper,increm. channel,IMP	1	107	731-5161	STICKER, IMPACT STRENGTH	1	
	18	731-0319	SCREW,M10 X 1.5,75MM,BHC,ZP	4	63	731-3324	WELD,ADD ON,SHORT,IMP	2	108	731-5217	WINDOW,INSIDE,IMPACT,IMP,SHORT	1	
	19	731-0335	STICKER, MADE IN CHINA, IP	1	64	731-3391	BELT CLAMP BODY	1					
F	20	731-0351	SCREW,M10 X 1.5,25mm,FHM,HK	2	65	731-3392	PLATE,THREADED,BELT CLAMP	1					
	21	731-0354	SCREW,M8 X 1.25,25MM,HHM,HE	6	66	731-3393	BELT CLAMP PLATE	2					F
	22	731-0355	WASHER,PLAIN,M8,NARROW	44	67	731-3396	SHROUD CENTER SUPPORT	1					
	23	731-0363	NUT,M10X1.5,NYLOC	6	68	731-3415	ASSY,WGT STK,90kG	1					
E	24	731-0365	NUT,M8 X 1.25,NYLOC JAM	9	69	731-3522	SCREW,M8 X 1.25,110mm,BHC,HK,NP	3					
	25	731-0367	WASHER,PLAIN,M10	14	70	731-3537	GUIDE RODE,Ø22MM X 1248MM	2					E
	26	731-0371	SCREW,M10 X 1.5,70MM,BHC,HK	2	71	731-3540	PIN,BELT CLAMP	1					
	27	731-0373	WASHER,PLAIN,M6	4	72	731-3541	CLIP,BELT CLAMP PIN	2					
	28	731-0379	SCREW,M8 X1.25,20mm,SHC,HK	3	73	731-3542	SCREW,M12 X 1.75,50mm,SHC,HK,CS,N	1					
D	29	731-0381	HOUSING,LOGO,STARTRAC	1	74	731-3551	PIN,CAM,BELT CLAMP	1					
	30	731-0390	SCREW,M8 X 1.25,25mm,SHC,HK	3	75	731-3552	CLAMP,CAM,BELT CLAMP	1					D
	31	731-0397	SCREW,M8 X 1.25,25mm,FHM,HK	2	76	731-3553	WRAP PIN,BELT CLAMP	1					
	32	731-0398	SCREW,M8 X 1.25,70mm,BHC,HK	7	77	731-3616	STICKER,IMP,90 KG	1					
C	33	731-0513	STICKER,STAR TRAC,DECO,45MMX191MM	1	78	731-3775	END CAP,32MM	2					
	34	731-0517	STICKER, WARNING, BOLT DOWN	1	79	731-3776	TRIM RING,GRIP,32MM	4					
	35	731-0532	SCREW,M8 X 1.25,12MM,HHM,HE	3	80	731-3792-00XX	ASSY,UPHOLSTERY,SEAT	1					C
	36	731-0582	SETSCREW, M8 X 1.25, 10mm, CUP	1	81	731-3796	ASSY,STOP,MOUNT,ADD ON,IMP	1					
	37	731-0583	STICKER, SERIAL NUMBER, IP	1	82	731-3802	HANDLE ASSY,SEAT ADJUST,RATCHET	1					
	38	731-0637	RING,BEAUTY,ADJ,PAD	1	83	731-3874	HOUSING,WGT FRAME,NAME,SHORT	1					
B	39	731-0638	SUPPORT,TUBE,ADJ,CHEST	1	84	731-4063	ASSY,WELD,MAIN FRAME,S5301	1					
	40	731-0660	STICKER,AXIS/ROTATION,END CAP	2	85	731-4073	ASSY,WF CONNECT,LOWER,5301-2	1					B
	41	731-1043	SCREW, M10X1.5, 75MM, SHC, HK, NP	4	86	731-4078	ASSY,WELD,CURL ARM	1					
	42	731-1265	CAP,END,65MM,NO GROOVE	1	87	731-4082	ASSY,WELD,CURL GRIP	1					
	43	731-1363	NUT, M6X1.0, NYLOC	3	88	731-4086	ASSY,SEAT POST,5301	1					
A	44	731-1720	SCREW,M8 X 45,SHS,HK,CS,NI	2	89	731-4088	ASSY,WELD,CAM AXLE	1					
	45	731-1777	SCREW,M8 X 1.25,30mm,BHC,HK	8	90	731-4090	ASSY,WELD,BICEPS STOP	1					A



CORE INDUSTRIES, INC. DBA **STARTRAC** 14410 Myford Road  
Irvine CA 92606

STARTRAC PART NO. **LA-S5301-XXXXS** REV **B**

TITLE **LA, SSS, BICEPS CURL**

SCALE: 1:20 | SHEET 2 OF 7 | SHEET SIZE: B



9

8

7

6

5

4

3

2

1

J

J

I

I

H

H

G

G

F

F

E

E

D

D

C

C

B

B

A

A

9

8

7

6

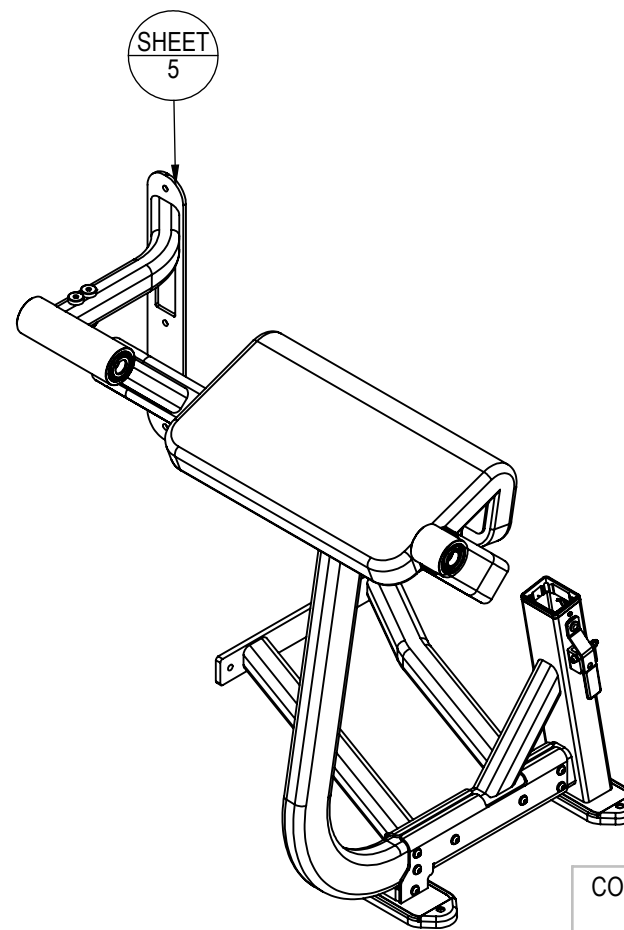
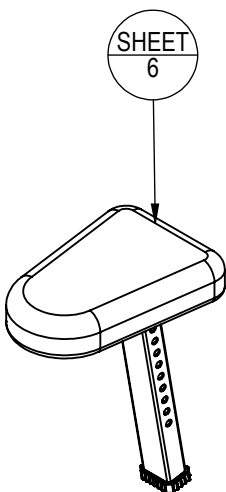
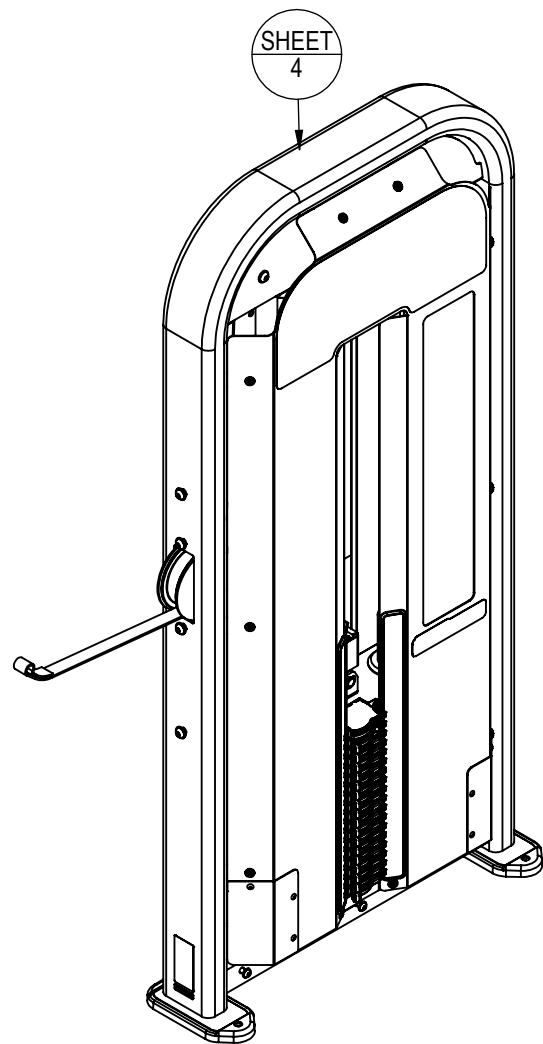
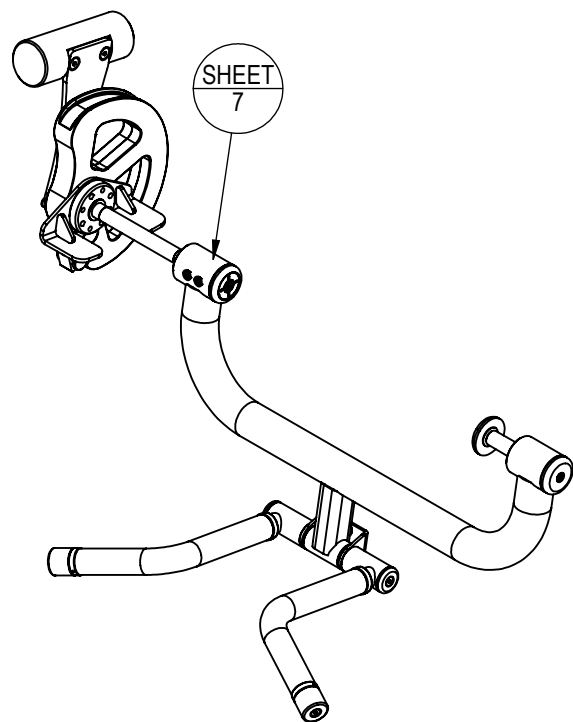
5

4

3

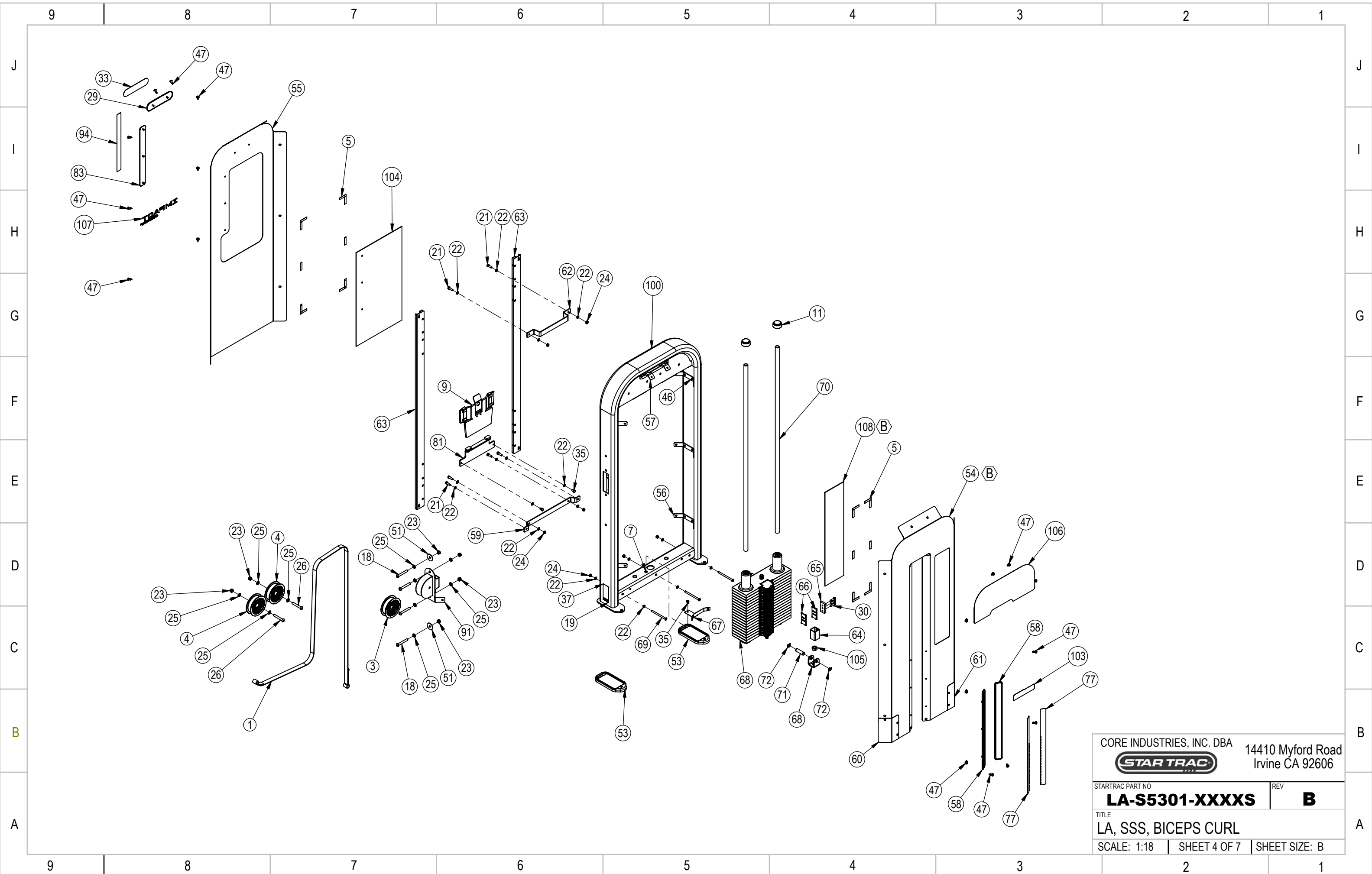
2

1



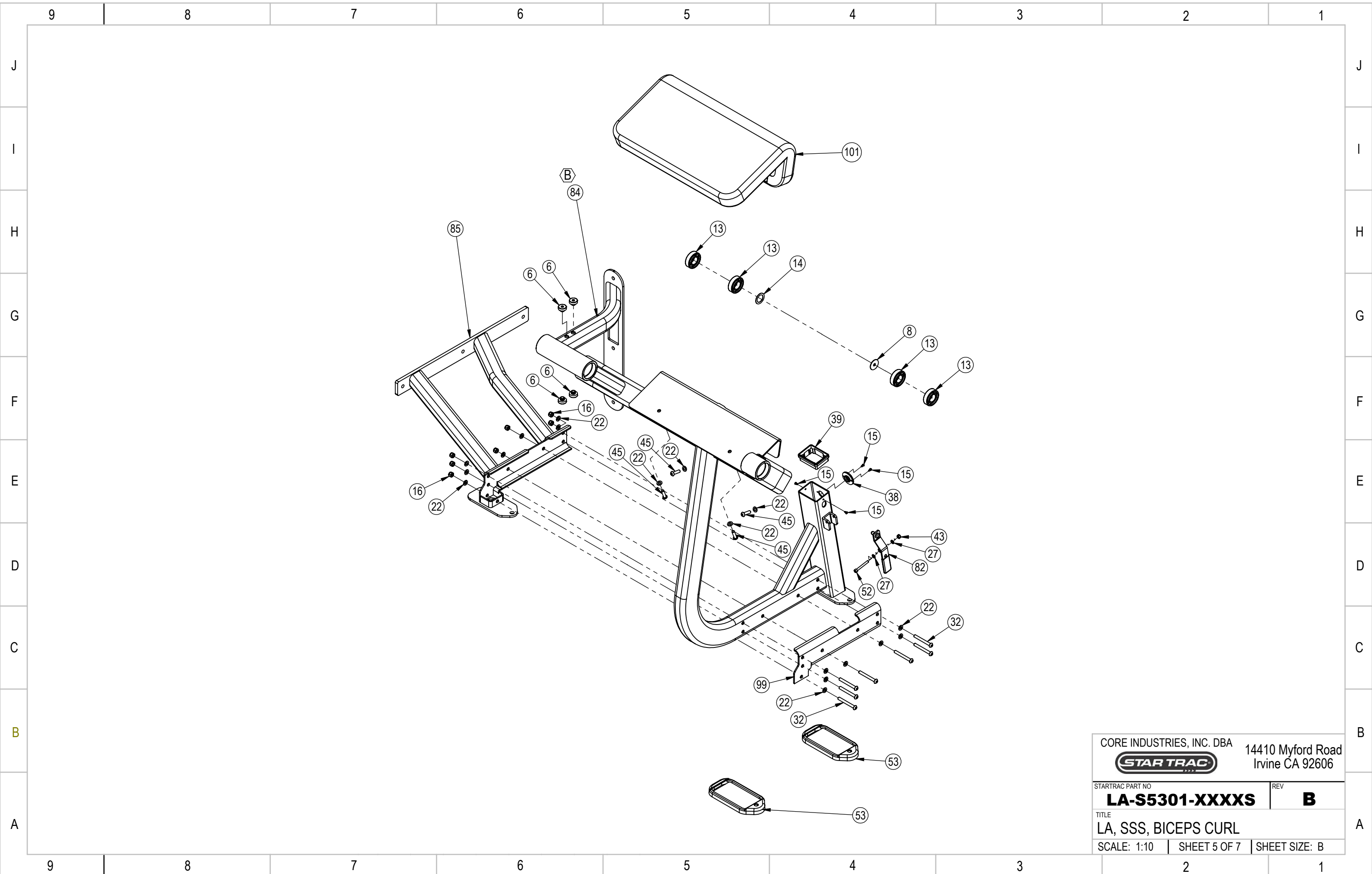
CORE INDUSTRIES, INC. DBA **STAR TRAC** 14410 Myford Road  
Irvine CA 92606

STARTRAC PART NO.	REV
<b>LA-S5301-XXXXS</b>	<b>B</b>
TITLE	
LA, SSS, BICEPS CURL	
SCALE: 1:12	SHEET 3 OF 7
SHEET SIZE: B	

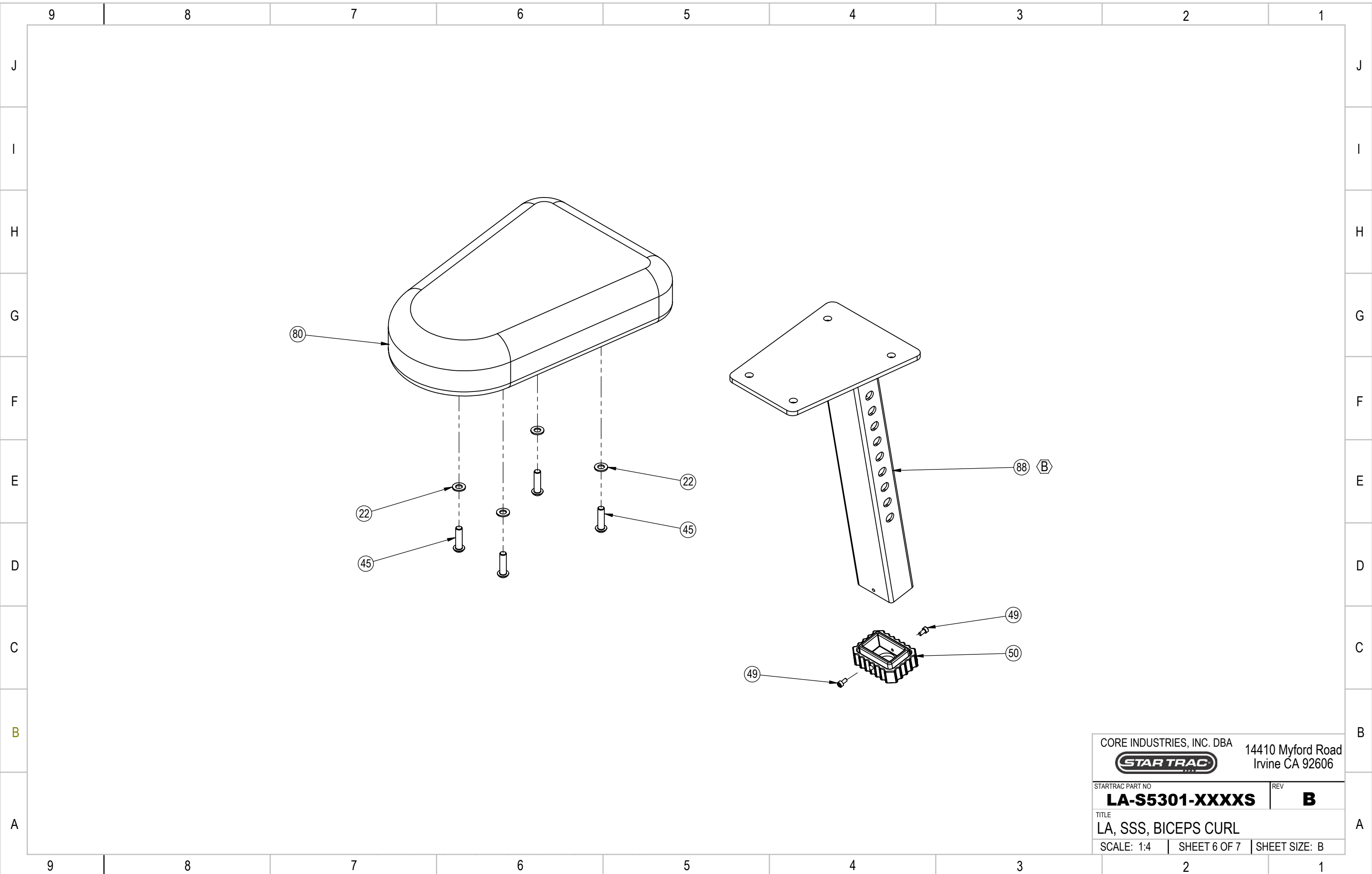


CORE INDUSTRIES, INC. DBA **STAR TRAC** 14410 Myford Road  
Irvine CA 92606

STARTRAC PART NO	REV
<b>LA-S5301-XXXXS</b>	<b>B</b>
TITLE <b>LA, SSS, BICEPS CURL</b>	
SCALE: 1:18	SHEET 4 OF 7   SHEET SIZE: B

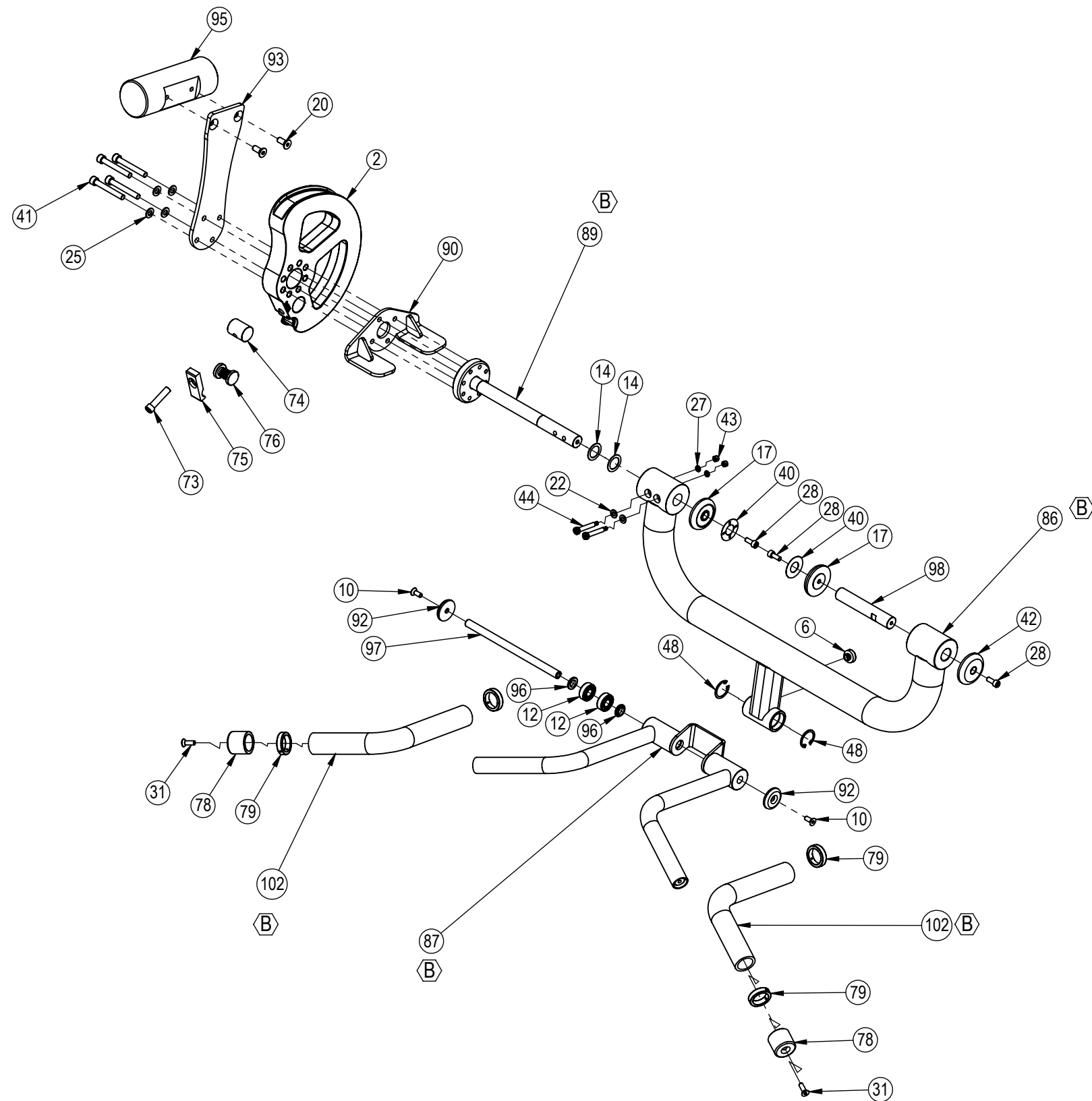


CORE INDUSTRIES, INC. DBA		14410 Myford Road Irvine CA 92606	
<b>STAR TRAC</b>			
STARTRAC PART NO	<b>LA-S5301-XXXXS</b>		REV <b>B</b>
TITLE <b>LA, SSS, BICEPS CURL</b>			
SCALE: 1:10	SHEET 5 OF 7	SHEET SIZE: B	



CORE INDUSTRIES, INC. DBA		14410 Myford Road Irvine CA 92606	
<b>STARTRAC</b>			
STARTRAC PART NO	<b>LA-S5301-XXXXS</b>	REV	<b>B</b>
TITLE <b>LA, SSS, BICEPS CURL</b>			
SCALE: 1:4	SHEET 6 OF 7	SHEET SIZE: B	





CORE INDUSTRIES, INC. DBA **STARTRAC** 14410 Myford Road  
Irvine CA 92606

STARTRAC PART NO.	REV
<b>LA-S5301-XXXXS</b>	<b>B</b>
TITLE	
LA, SSS, BICEPS CURL	
SCALE: 1:10	SHEET 7 OF 7   SHEET SIZE: B