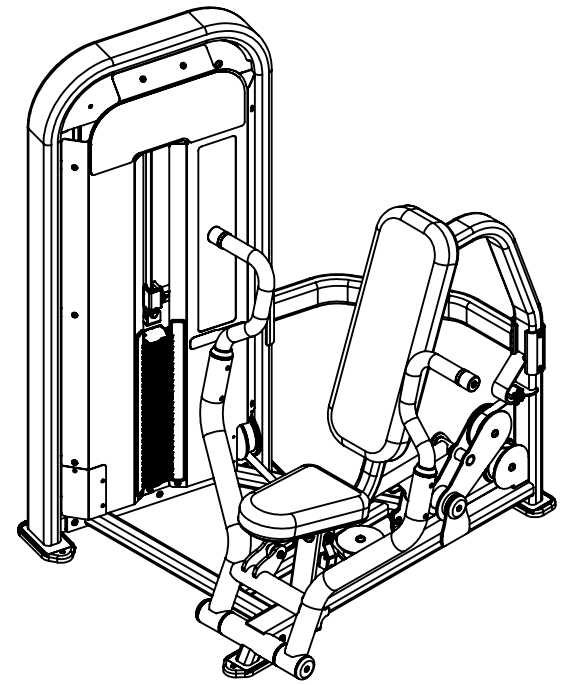
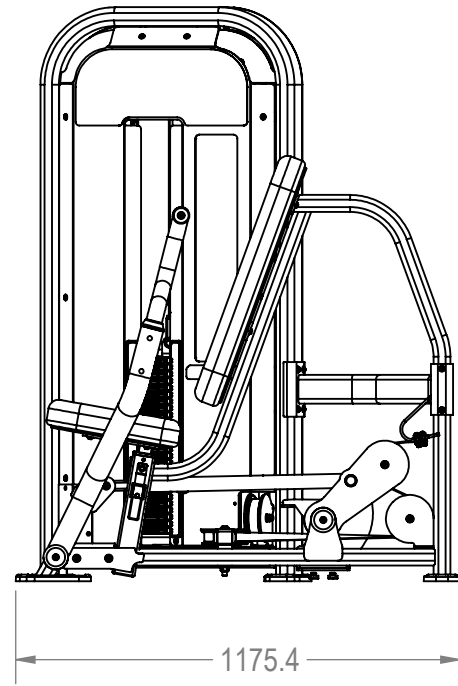
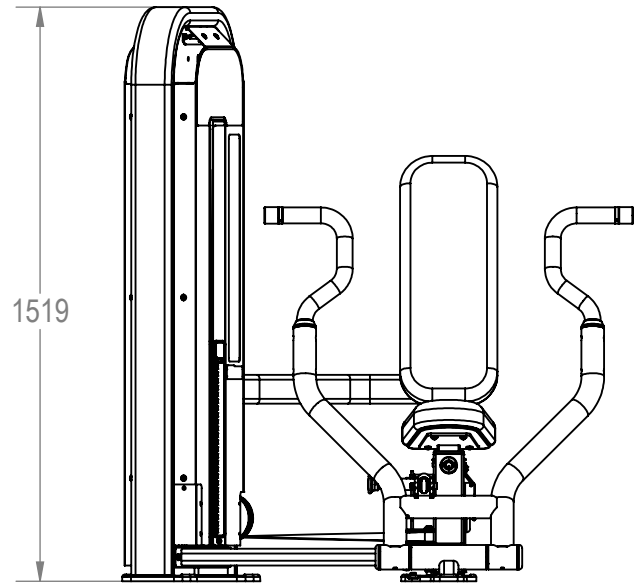
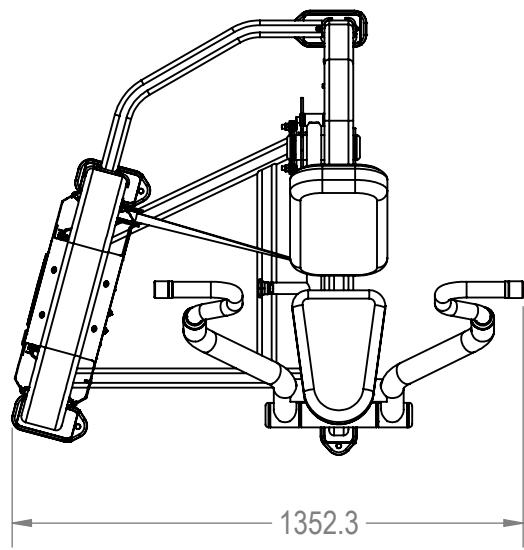


REVISION HISTORY				
REV	DATE	DESCRIPTION	ECO	BY
A	12/1/2011	RELEASED FOR PRODUCTION AT LAND AMERICA	----	CLK
B	5/23/2012	MAKE DRAWING	13685	CLK



NOTICE OF PROPRIETARY INFORMATION
 THIS DOCUMENT SHALL NOT BE REPRODUCED NOR SHALL THE INFORMATION CONTAINED HEREIN BE USED BY OR DISCLOSED TO OTHER EXCEPT AS EXPRESSLY AUTHORIZED BY CORE INDUSTRIES, INC., D.B.A. STAR TRAC.

DOCUMENT STATUS:

NOTES:

CLASS OF WORK	UNLESS OTHERWISE SPECIFIED DIMS ARE IN mm. TOLERANCES FOR MEASURE OF LENGTH ARE:							ANGLES = ±2°
	0.5 to 3	> 3 to 6	> 6 to 30	> 30 to 120	> 120 to 400	> 400 to 1000	> 1000 to 2000	
FINE	±0.05	±0.05	±0.1	±0.15	±0.2	±0.3	±0.5	----
MEDIUM	±0.1	±0.1	±0.2	±0.3	±0.5	±0.8	±1.2	±2
COARSE	±0.2	±0.3	±0.5	±0.8	±1.2	±2	±3	±4
VERY COARSE	----	±0.5	±1	±1.5	±2.5	±4	±6	±8

MATERIAL
SEE BOM

FINISH
N/A

VENDOR: N/A

P/N: N/A

THIRD ANGLE PROJECTION



DRAWN	INITIAL CLK	DATE 5/10/2012
CHECKED		
APPROVED		
	U.O.M.	MM

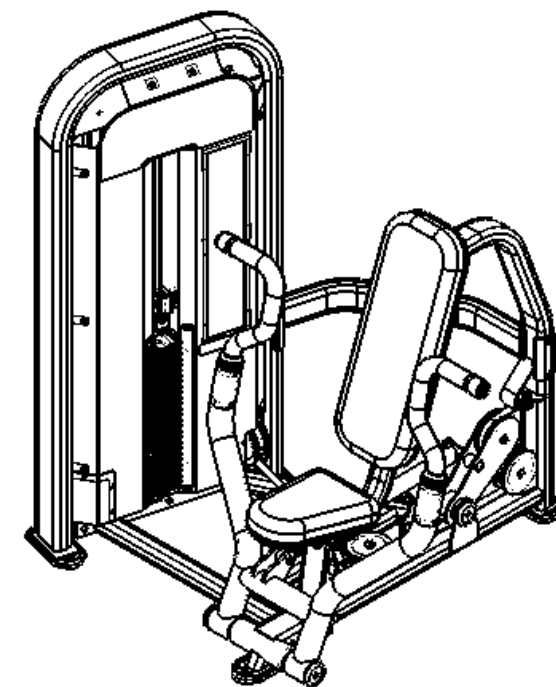
CORE INDUSTRIES, INC. DBA
 14410 Myford Road
 Irvine CA 92606

STARTRAC PART NO
LA-S4301-XXXXS REV **B**

TITLE
VERTICAL PRESS

SCALE: 1:20 | SHEET 1 OF 8 | SHEET SIZE: B

9		8		7		6		5		4		3		2		1					
	ITEM NO.	PART NUMBER	DESCRIPTION	QTY.		ITEM NO.	PART NUMBER	DESCRIPTION	QTY.		ITEM NO.	PART NUMBER	DESCRIPTION	QTY.		ITEM NO.	PART NUMBER	DESCRIPTION	QTY.		
J	1	4900-0440	PULLEY,BELT,4.75D,3/8B,1.5W,MOLDED	3	(B)	46	731-3109	SHROUD,INSIDE,TALL,IMP	1		91	731-3792-00XX	ASSY,UPHOLSTERY,SEAT	1		92	731-3796	ASSY,STOP,MOUNT,ADD ON,IMP	1	J	
	2	4900-0441	PULLEY,BELT,4.75D,1/2B,1.5W,MOLDED	1		47	731-3111	SHROUD,OUTSIDE,SHORT,IMP	1		93	731-3802	HANDLE ASSY,SEAT ADJUST,RATCHET	1		94	731-3805	SPRING,O.D 12mm,L 38MM, 1N/MM RATE	1		
	3	4900-0620	PULLEY,BELT,4.75D,3/8B,1.74W,MOLDED	4		48	731-3113	BRKT,SHROUD,IMP	6		95	731-3806	SHAFT,20 X 200,D	1		96	731-3807-00XX	ASSY,UPHOLSTERY,285 x 715	1	I	
	4	4900-0626	TAPE, 3M VHB 5925	1000		49	731-3114	BRKT, SHROUD, UPPER,IMP	4		97	731-3874	HOUSING,WGT FRAME,NAME,SHORT	1		98	731-3954	BASE,HANDLE GRIP,ARMS,IMP	2		
I	5	730-0913	BUMPER,DIA 25MM	2		50	731-3115	HOUSING,PLASTIC,WGT STACK,IMP	2		99	731-4780	STICKER,LOCK N LOAD,IMPACT	1		99	731-4780	STICKER,LOCK N LOAD,IMPACT	1		
	6	731-0033	NUT, RIVET,M8 X 1.25	1		51	731-3116	BRKT,MOUNT,LOWER,INCR CHNL,IMP	1		100	731-4882	WINDOW,IMP,SHORT	1		100	731-4882	WINDOW,IMP,SHORT	1		
	7	731-0113	ASSY,2.5Kg,ADD ON	1		52	731-3117	COVER,SHROUD,LEFT,IMP	1		101	731-4950	PLACARD,IMPACT,VERTICAL PRESS	1		101	731-4950	PLACARD,IMPACT,VERTICAL PRESS	1	H	
	8	731-0119	NUT,M12X1.75, NYLOC	1		53	731-3122	Brkt,mount,upper,increm. channel,IMP	2		(B)	102	731-5161	STICKER, IMPACT STRENGTH	1		102	731-5161	STICKER, IMPACT STRENGTH	1	
	9	731-0124	CAP,GUIDE ROD,RUBBER	2		54	731-3320	BRONZE BUSHING,32X20	2		103	731-5217	WINDOW,INSIDE,IMPACT,IMP,SHORT	1		103	731-5217	WINDOW,INSIDE,IMPACT,IMP,SHORT	1		
	10	731-0137	BEARING,52 OD,25 ID,X 15MM	4		55	731-3323	STICKER,IMP,130 KG	1												
H	11	731-0225	SCREW,M3.5 X 9.5,SELF TAPPING	4		56	731-3324	WELD,ADD ON,SHORT,IMP	2												
	12	731-0235	SCREW,M8 X 1.25,75mm,BHC,HK	4		57	731-3387	BELT GUIDE,63MM	1												
	13	731-0278	SCREW,M10 X 1.5,35MM,BHC,HK	2		58	731-3391	BELT CLAMP BODY	1												
	14	731-0287	NUT,M8x1.25,NYLOCK	4		59	731-3392	PLATE,THREADED,BELT CLAMP	1												
G	15	731-0354	SCREW,M8 X 1.25,25MM,HHM,HE	6		60	731-3393	BELT CLAMP PLATE	2												
	16	731-0355	WASHER,PLAIN,M8,NARROW	41		61	731-3394	TOP PLATE,BELT BRKT,IMP	1												
	17	731-0357	WASHER,PLAIN,M12	2		62	731-3396	SHROUD CENTER SUPPORT	1												
	18	731-0363	NUT,M10X1.5,NYLOC	9		63	731-3417	ASSY,WGT STK,130KG	1												
	19	731-0365	NUT,M8 X 1.25,NYLOC JAM	14		64	731-3521	SCREW,M8 X 1.25,105mm,BHC,HK,NP	2												
F	20	731-0367	WASHER,PLAIN,M10	19		65	731-3522	SCREW,M8 X 1.25,110mm,BHC,HK,NP	3												
	21	731-0371	SCREW,M10 X 1.5,70MM,BHC,HK	3		66	731-3526	CLAMSHELL,44.5X 110 HS NO BREATHER	1												
	22	731-0373	WASHER,PLAIN,M6	8		67	731-3537	GUIDE RODE,Ø22MM X 1248MM	2												
	23	731-0379	SCREW,M8 X1.25,20mm,SHC,HK	4		68	731-3540	PIN,BELT CLAMP	1												
	24	731-0381	HOUSING,LOGO,STARTRAC	1		69	731-3541	CLIP,BELT CLAMP PIN	2												
E	25	731-0390	SCREW,M8 X 1.25,25mm,SHC,HK	3		70	731-3557	BOLT PLATE,FLAT,52X105 HS	1												
	26	731-0397	SCREW,M8 X 1.25,25mm,FHM,HK	2		71	731-3559	SCREW,M10 X 1.5,65MM,BHC,HK	2												
	27	731-0513	STICKER,STAR TRAC,DECO,45MMX191MM	1		72	731-3732	ASSY, WELD, MAIN FR., VERT. PRESS	1												
	28	731-0532	SCREW,M8 X 1.25,12MM,HHM,HE	3		73	731-3744	ASSY,CONNECTOR, VP	1												
	29	731-0582	SETSCREW, M8 X 1.25, 10mm, CUP	2		74	731-3750	ASSY, WELD, HANDLES, VERT PRESS	1												
D	30	731-0637	RING,BEAUTY,ADJ,PAD	1		75	731-3756	ASSY, WELD, LEVER ARM	1												
	31	731-0638	SUPPORT,TUBE,ADJ,CHEST	1		76	731-3762	ASSY,CONNECTOR,UPPER,VP	1												
	32	731-0705	HAT, SPACER, 25 OD X 20 ID	2		77	731-3770	ASSY,SEAT POST,IMP	1												
	33	731-1045	SCREW, M10X1.5, 80MM, SHC, HK, ZP	1		78	731-3773	PLATE, BELT CLAMP, IMP	2												
C	34	731-1265	CAP,END,65MM,NO GROOVE	4		79	731-3774	GRIP,VP,32MM	2												
	35	731-1363	NUT, M6X1.0, NYLOC	4		80	731-3775	END CAP,32MM	2												
	36	731-1777	SCREW,M8 X 1.25,30mm,BHC,HK	8		81	731-3776	TRIM RING,GRIP,32MM	2												
	37	731-1785	SCREW,SET,M4X.7,4MM	4		82	731-3779	SCREW, M12 X 1.75, 125mm, BHC, HK	1												
	38	731-1932	RIVET,5MM	24		83	731-3780	SCREW,M6 X1.0, 35mm, BHC,HK	4												
B	39	731-1933	RIVET, PUSH TYPE	18		84	731-3781	BOSS,20MM,SHOULDER	1												
	40	731-2079	SCREW,M4 X .7,8MM,SHC,HK,NP	2		85	731-3783	STICKER,NAME,VERTICAL PRESS	1												
	41	731-2080	BUMPER,ADJ,HYPER	1		86	731-3785	ASSY,ROM,COMPLETE,VP	1												
	42	731-2346	WASHER,M10,FENDER,BZ	1		87	731-3787	ASSY,WGT FRAME,VP	1												
	43	731-2622	BAR,BUSHING,MISS-ALIGNMENT	2		88	731-3788	SHAFT, 25MM X 365.5	1												
A	44	731-2623	SHOULDER BOLT B18.3m-10X50 SHSS	1		89	731-3789	BELT. 4301	1												
	45	731-2647	FOOT,LONG,LEVERAGE	4		90	731-3790	SCREW,M10 X 1.5,115MM,BHC,HK	2												

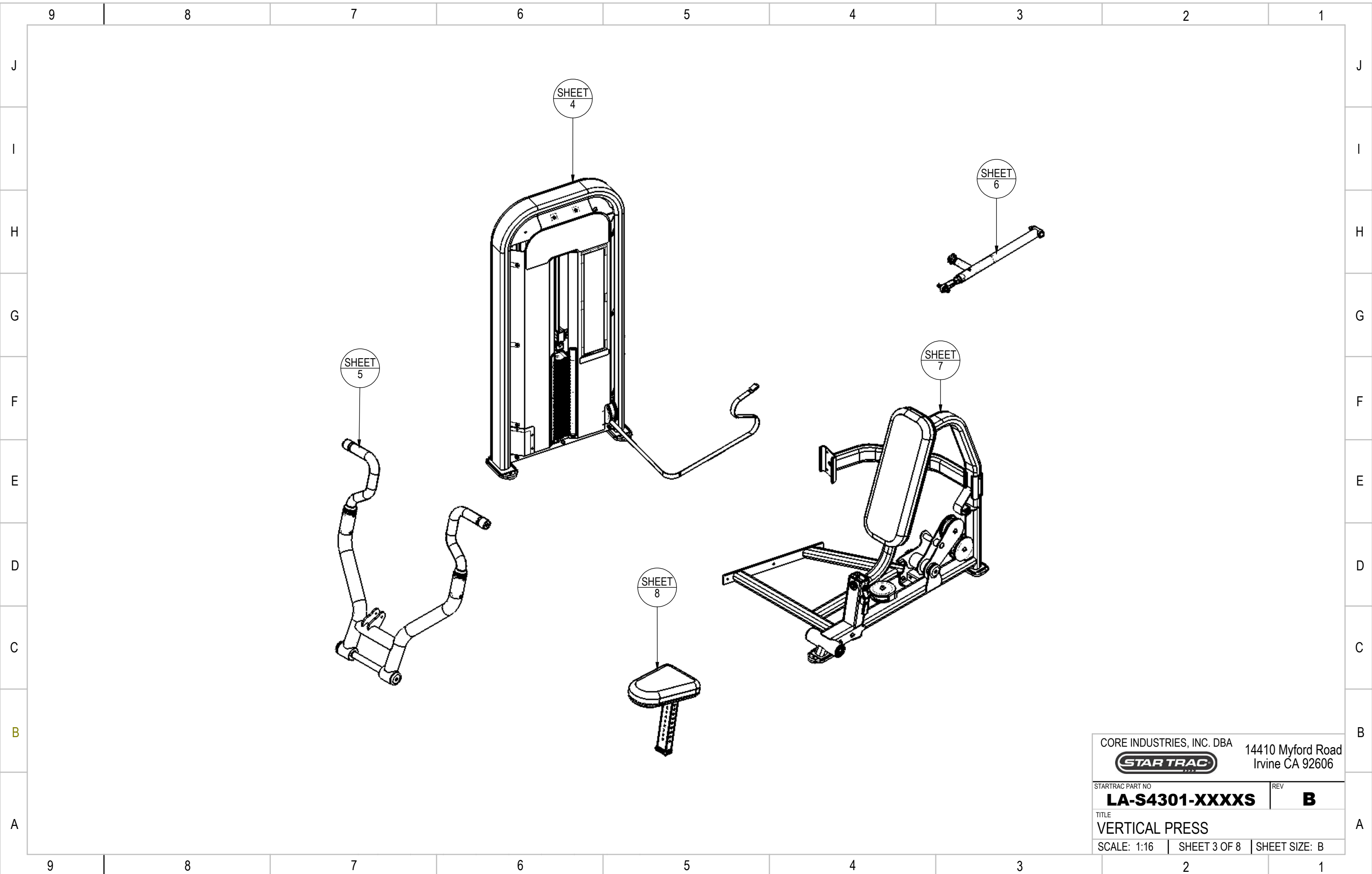


CORE INDUSTRIES, INC. DBA **STARTRAC** 14410 Myford Road
Irvine CA 92606

STARTRAC PART NO. **LA-S4301-XXXXS** REV **B**

TITLE **VERTICAL PRESS**

SCALE: 1:20 | SHEET 2 OF 8 | SHEET SIZE: B

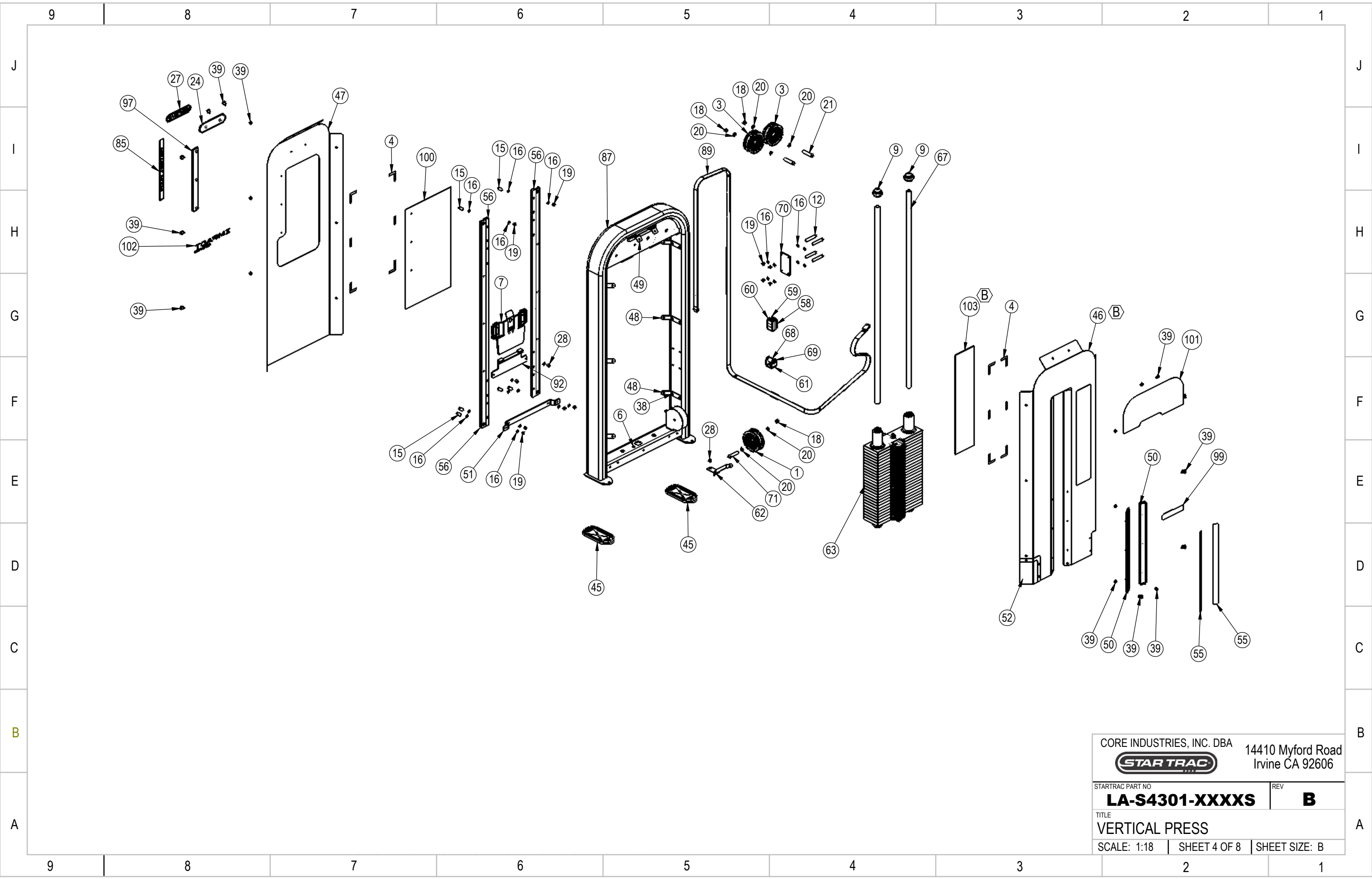


CORE INDUSTRIES, INC. DBA **STARTRAC** 14410 Myford Road
Irvine CA 92606

STARTRAC PART NO. **LA-S4301-XXXXS** REV **B**

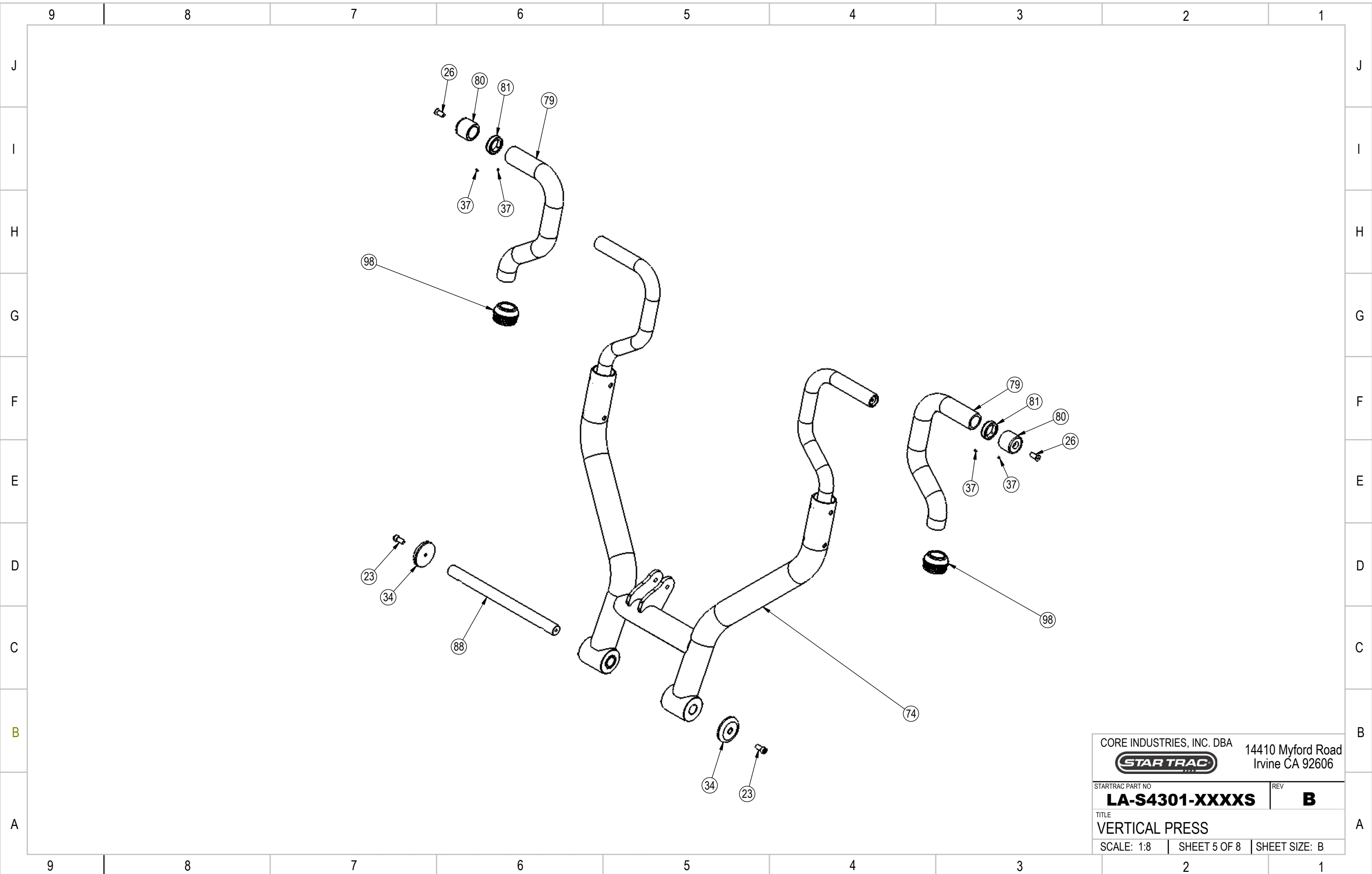
TITLE **VERTICAL PRESS**

SCALE: 1:16 | SHEET 3 OF 8 | SHEET SIZE: B

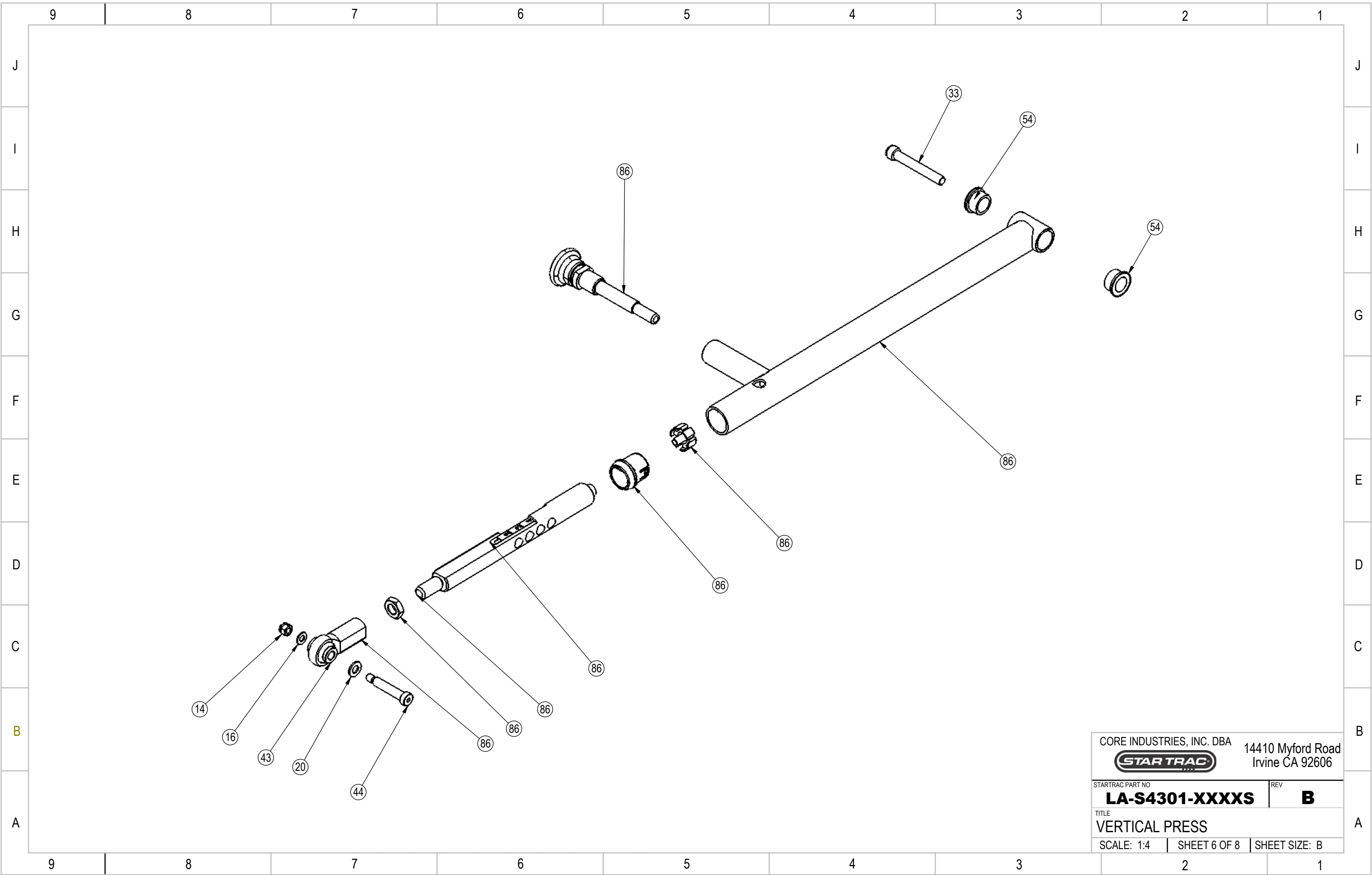


CORE INDUSTRIES, INC. DBA **STARTRAC** 14410 Myford Road
Irvine CA 92606

STARTRAC PART NO	REV
LA-S4301-XXXXS	B
TITLE	
VERTICAL PRESS	
SCALE: 1:18	SHEET 4 OF 8 SHEET SIZE: B

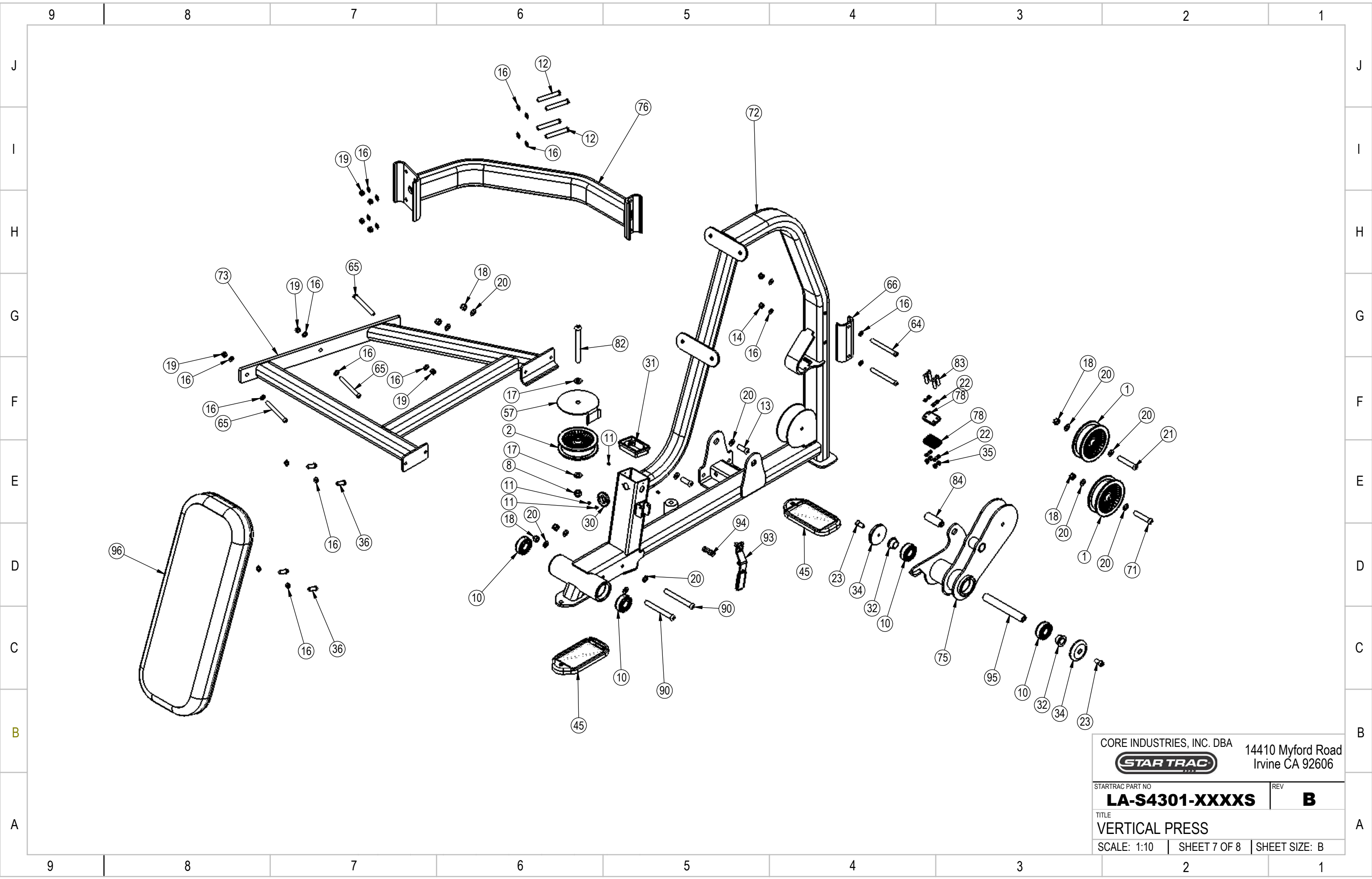


CORE INDUSTRIES, INC. DBA		14410 Myford Road Irvine CA 92606	
STAR TRAC			
STARTRAC PART NO	LA-S4301-XXXXS		REV B
TITLE VERTICAL PRESS			
SCALE: 1:8	SHEET 5 OF 8	SHEET SIZE: B	



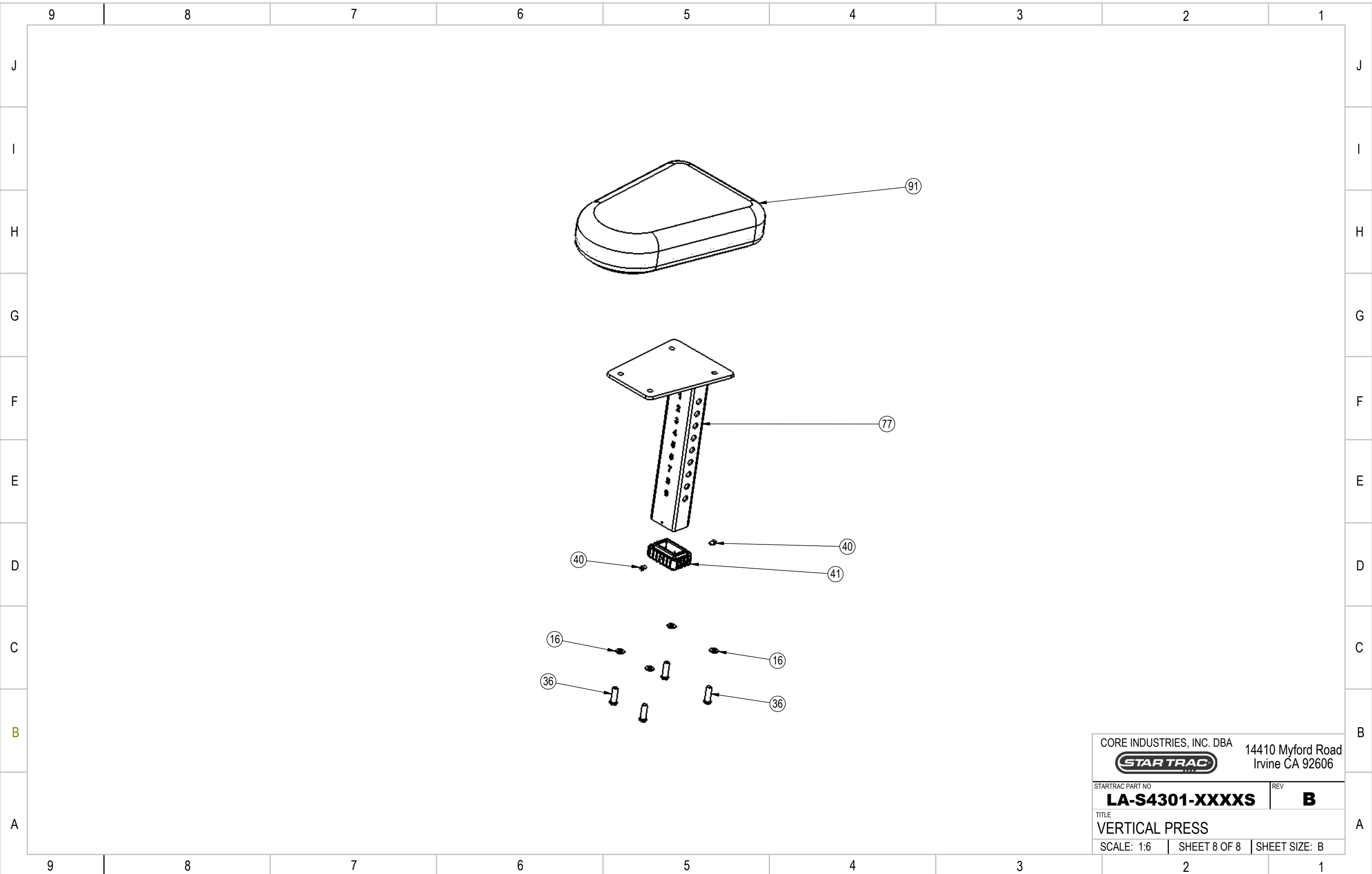
CORE INDUSTRIES, INC. DBA **STARTRAC** 14410 Myford Road
Irvine CA 92606

STARTRAC PART NO	REV
LA-S4301-XXXXS	B
TITLE VERTICAL PRESS	
SCALE: 1:4	SHEET 6 OF 8 SHEET SIZE: B



CORE INDUSTRIES, INC. DBA **STARTRAC** 14410 Myford Road
Irvine CA 92606

STARTRAC PART NO	REV
LA-S4301-XXXXS	B
TITLE VERTICAL PRESS	
SCALE: 1:10	SHEET 7 OF 8 SHEET SIZE: B



CORE INDUSTRIES, INC. DBA		14410 Myford Road	
STAR TRAC		Irvine CA 92606	
STARTRAC PART NO	LA-S4301-XXXXS		REV B
TITLE VERTICAL PRESS			
SCALE: 1:6	SHEET 8 OF 8	SHEET SIZE: B	