

REVISION HISTORY				
REV	DATE	DESCRIPTION	ECO	BY
A	5/1/12	RELEASED @ LAND AMERICA	13684	KEY

NOTICE OF PROPRIETARY INFORMATION
 THIS DOCUMENT SHALL NOT BE REPRODUCED NOR SHALL THE INFORMATION CONTAINED HEREIN BE USED BY OR DISCLOSED TO OTHER EXCEPT AS EXPRESSLY AUTHORIZED BY CORE INDUSTRIES, INC., D.B.A. STAR TRAC.

**DOCUMENT STATUS:
DEVELOPMENT**

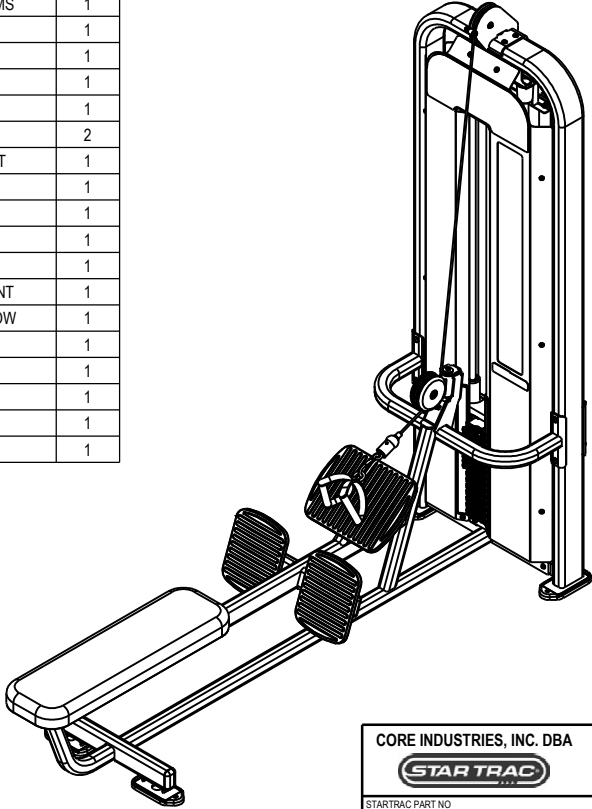
- NOTES:
- ASSEMBLE AND INSPECT PER SOP 620-7918.
 - INSTALL Kg STICKER AND AFFIX Lb STICKER TO INSIDE OF SHROD WITH TAPE..

CLASS OF WORK	UNLESS OTHERWISE SPECIFIED DIMS ARE IN mm. TOLERANCES FOR MEASURE OF LENGTH ARE:							ANGLES = ±2°		
	0.5 to 3	> 3 to 6	> 6 to 30	> 30 to 120	> 120 to 400	> 400 to 1000	> 1000 to 2000	> 2000		
FINE	±0.05	±0.05	±0.1	±0.15	±0.2	±0.3	±0.5	----		
MEDIUM X	±0.1	±0.1	±0.2	±0.3	±0.5	±0.8	±1.2	±2		
COARSE	±0.2	±0.3	±0.5	±0.8	±1.2	±2	±3	±4		
VERY COARSE	----	±0.5	±1	±1.5	±2.5	±4	±6	±8		

MATERIAL SEE BOM	THIRD ANGLE PROJECTION 												
FINISH N/A	<table border="1"> <tr> <td>DRAWN</td> <td>KEY</td> <td>DATE</td> <td>8/29/12</td> </tr> <tr> <td>CHECKED</td> <td></td> <td></td> <td></td> </tr> <tr> <td>APPROVED</td> <td></td> <td></td> <td></td> </tr> </table>	DRAWN	KEY	DATE	8/29/12	CHECKED				APPROVED			
DRAWN	KEY	DATE	8/29/12										
CHECKED													
APPROVED													
VENDOR: N/A	P/N: N/A												

CORE INDUSTRIES, INC. DBA		14410 Myford Road Irvine CA 92606	
		STARTRAC PART NO	REV
		LA-S3306-XXXXS	003
TITLE SSS, LOW ROW			
SCALE: 1:50	SHEET 1 OF 7	SHEET SIZE: B	

9		8		7		6		5		4		3		2		1	
ITEM NO.	PART NUMBER	DESCRIPTION	Default/ QTY.	ITEM NO.	PART NUMBER	DESCRIPTION	Default/ QTY.										
1	4900-0626	TAPE, 3M VHB 5925	600	46	731-3201	BRKT_MOUNT,MS	2										
2	731-0034	WASHER,M8,34MM OD,1.5MM THK	2	47	731-3209	ASSY,SWIVEL,HANDLE,MS	1										
3	731-0111	STOP,BUMPER,WGT PLT	2	48	731-3223	SCREW,M10 X 1.5,140MM,BHC,HK	4										
4	731-0112	SET COLLAR,GUIDE ROD,Ø22.4mm	2	49	731-3396	SHROUD CENTER SUPPORT	1										
5	731-0113	ASSY,2.5Kg,ADD ON	1	50	731-3522	SCREW,M8 X 1.25,110mm,BHC,HK,NP	2										
6	731-0124	CAP,GUIDE ROD,RUBBER	2	51	731-3636	COVER,PLATE,HANDLE,LR	1										
7	731-0127	RACE,WEAR SLEEVE,CABLE	2	52	731-3637	WELD,PLATE,HANDLE,LR	1										
8	731-0130	BEARING,15mm BORE,35MM OD,11MM	2	53	731-3796	ASSY,STOP_MOUNT,ADD ON,IMP	1										
9	731-0165	CAP,PLASTIC,PULLEY,Ø120mm	2	54	731-4183	ASSY,LOW ROW HANDLES	1										
10	731-0209	CAP, END, 110 X 50	1	55	731-4428	SCREW,M8 X 1.25,120MM,SHC,HK	1										
11	731-0287	NUT,M8x1.25,NYLOCK	7	56	731-4430	RACE,INNER PIVOT,MS	1										
12	731-0354	SCREW,M8 X 1.25,25MM,HMM,HE	6	57	731-4433	ASSY,WELD,PULLEY_PIVOT,LR,MS	1										
13	731-0355	WASHER,PLAIN,M8,NARROW	42	58	731-4765	ASSY,WGT STK,130kg,SPLIT	1										
14	731-0363	NUT,M10X1.5,NYLOC	7	59	731-4770	ASSY,WGT FRAME,LR	1										
15	731-0364	SCREW,M8 X 1.25,45MM,BHC,HK	2	60	731-4772	SHROUD,INSIDE,LAT/LOW	1										
16	731-0365	NUT,M8 X 1.25,NYLOC JAM	10	61	731-4773	SHROUD,OUTSIDE,LAT/LOW	1										
17	731-0366	SCREW,M10 X 1.5,50MM,BHC,HK	1	62	731-4774	WELD,ADD ON,IMP,LL	2										
18	731-0367	WASHER,PLAIN,M10	12	63	731-4780	STICKER,LOCK N LOAD,IMPACT	1										
19	731-0373	WASHER,PLAIN,M6	4	64	731-4785	STICKER,NAME,LOW ROW	1										
20	731-0374	SCREW,M6 X 1.0,16mm,BHC,HK	4	65	731-4841	MAIN FRAME,IMP,3306	1										
21	731-0381	HOUSING,LOGO,STARTRAC	1	66	731-4869	ASSY,CABLE,3306	1										
22	731-0398	SCREW,M8 X 1.25,70mm,BHC,HK	6	67	731-4873	STICKER,LNL,SPLIT	1										
23	731-0513	STICKER,STAR TRAC,DECO,45MMX191MM	1	68	731-4885	ASSY,BRKT,INCREM. RAIL MOUNT	1										
24	731-0532	SCREW,M8 X 1.25,12MM,HMM,HE	2	69	731-4887	ASSY,PULLEY BRKT,WF,LOW ROW	1										
25	731-0731	ASSY,PULLEY,Ø120MM,CABLE	2	70	731-4958	PLACARD,IMPACT,LOW ROW	1										
26	731-1363	NUT, M6X1.0, NYLOC	4	71	731-5161	STICKER, IMPACT STRENGTH	1										
27	731-1777	SCREW,M8 X 1.25,30mm,BHC,HK	4	72	731-5187	WINDOW,IMP,TALL	1										
28	731-1778	SCREW,M10 X 1.5,55MM,BHC,HK	1	73	731-5219	WINDOW,INSIDE,IMP, LONG	1										
29	731-1916	HOUSING,PLASTIC,WGT STACK,DAP	1	74	731-5646-00XX	ASSY, UPHOLSTRY, SEAT	1										
30	731-1932	RIVET,5MM	16														
31	731-1933	RIVET, PUSH TYPE	19														
32	731-1939	RING,RETAINING,ID,35MM	2														
33	731-1943	WASHER,M15,OD 25MM,3MM THK	2														
34	731-2016	CLIP,CARABINEER,3/8 IN.,CLP	1														
35	731-2068	SCREW,M8 X 1.25,95mm,BHC,HK,NP	4														
36	731-2072	WELD,PLATE,FOOT,HYPER	2														
37	731-2073	CAP,TUBE,44.5 X 76.2	4														
38	731-2074	COVER,PLATE,FOOT,HYPER	2														
39	731-2647	FOOT, LONG, LEVERAGE	4														
40	731-3113	BRKT,SHROUD,IMP	6														
41	731-3114	BRKT, SHROUD, UPPER,IMP	2														
42	731-3115	HOUSING,PLASTIC,WGT STACK,IMP	2														
43	731-3116	BRKT_MOUNT,LOWER,INCR CHNL,IMP	1														
44	731-3162	STOP, TRAVEL,CC	2														
45	731-3193	GUIDE RODE,Ø22MM X 1811MM	2														

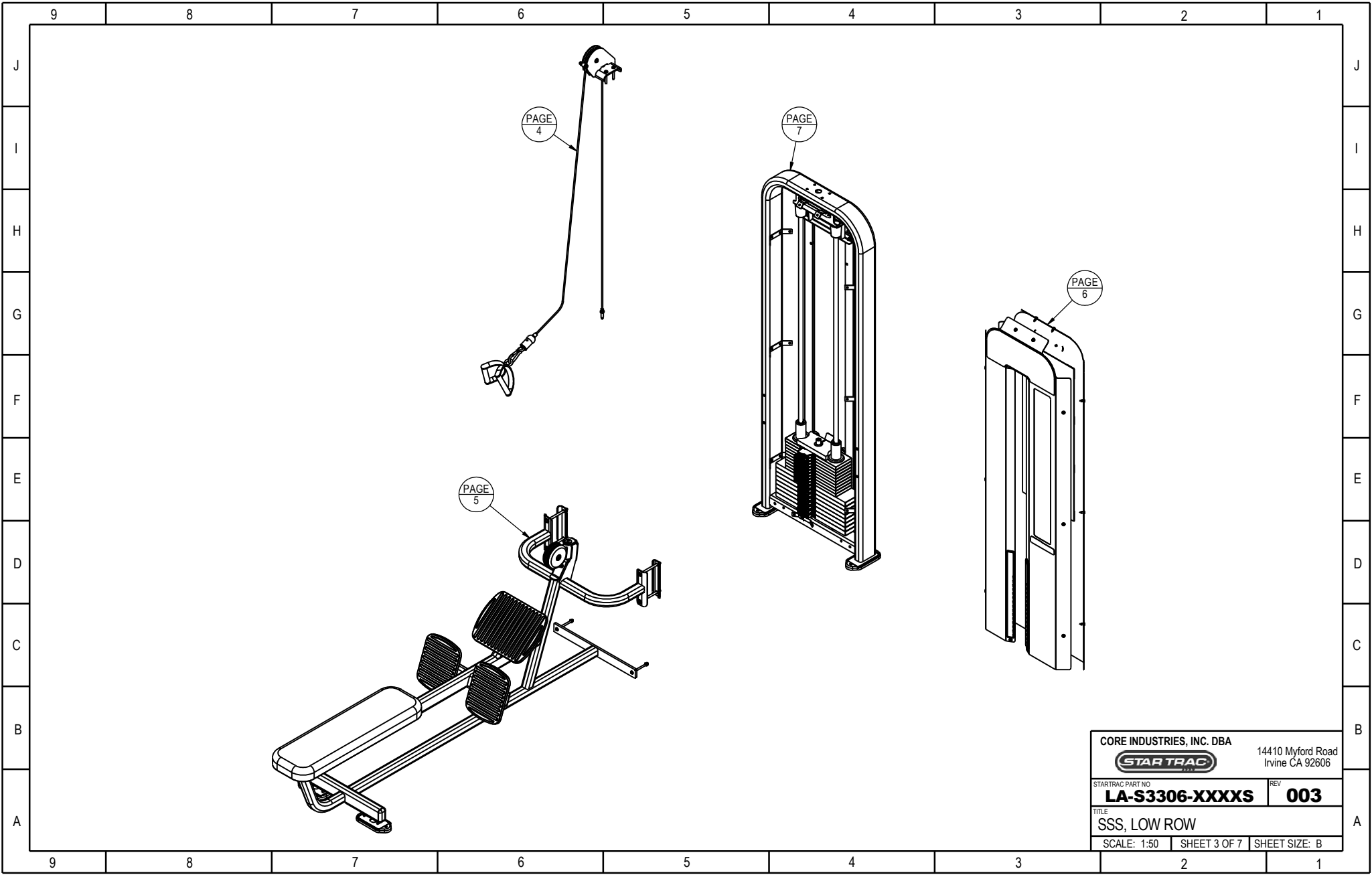


CORE INDUSTRIES, INC. DBA
STAR TRAC
 14410 Myford Road
 Irvine CA 92606

STARTRAC PART NO
LA-S3306-XXXXS REV **003**

TITLE
SSS, LOW ROW

SCALE: 1:50 SHEET 2 OF 7 SHEET SIZE: B

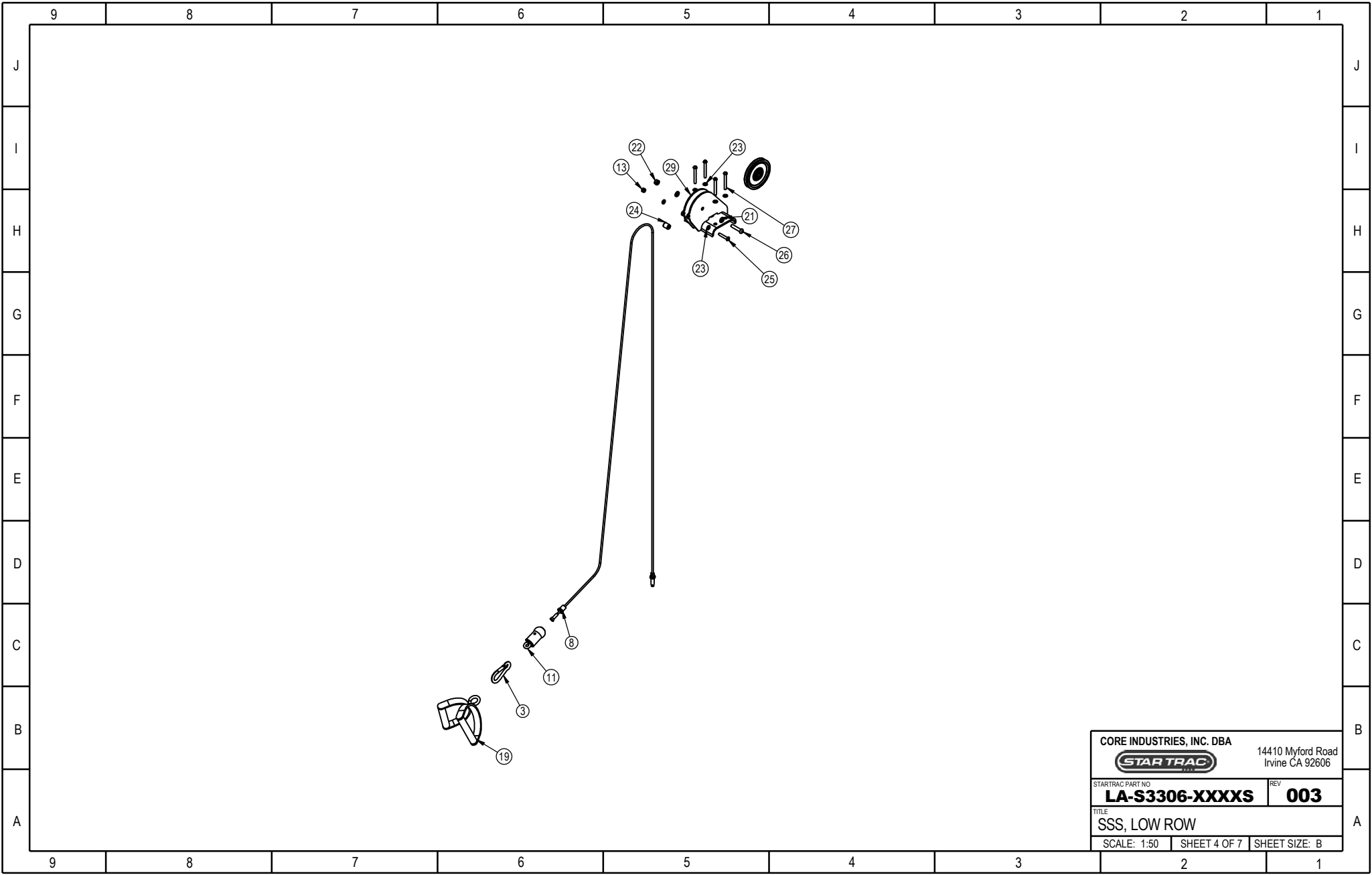


CORE INDUSTRIES, INC. DBA
STAR TRAC
 14410 Myford Road
 Irvine CA 92606

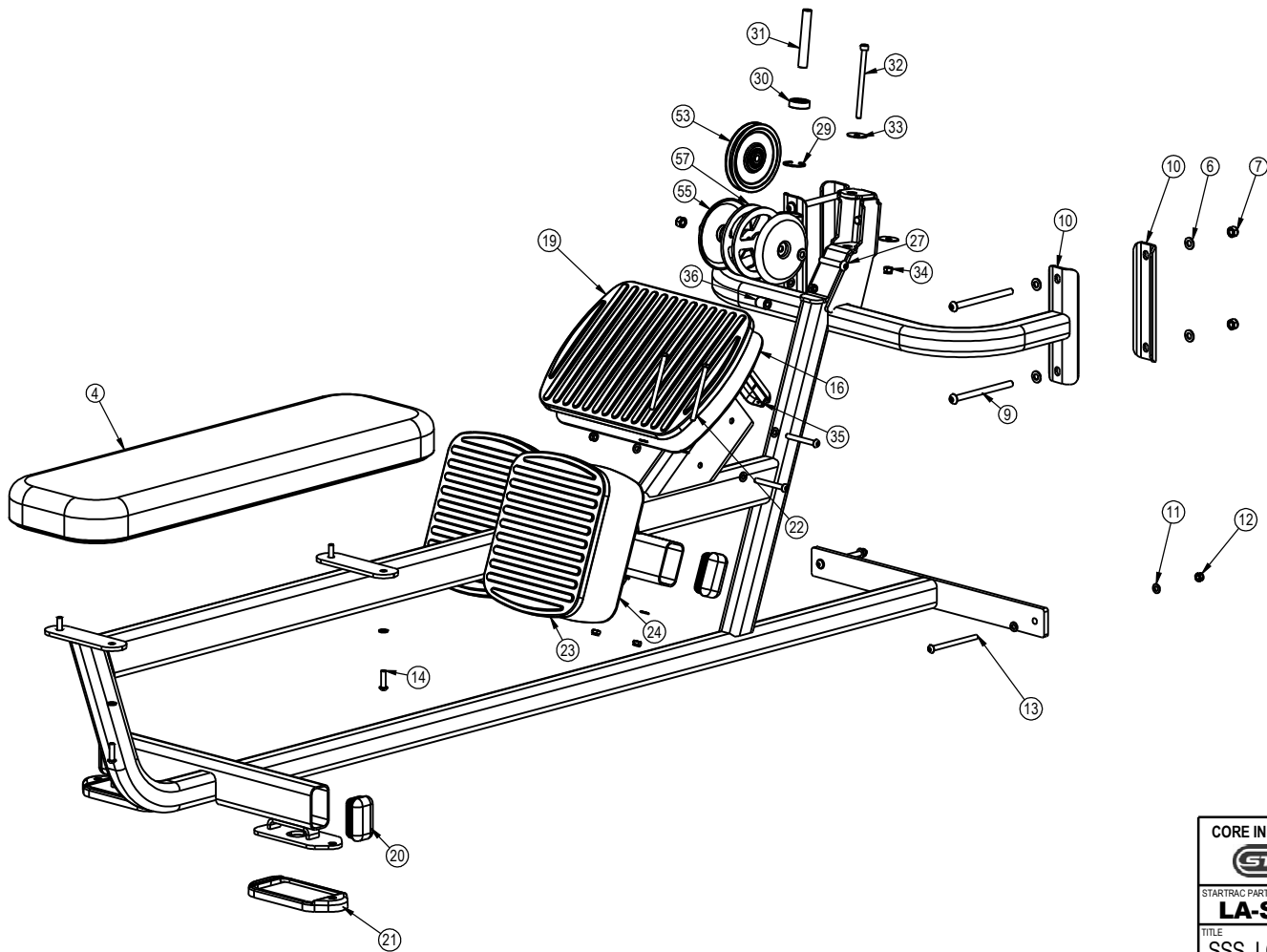
STARTRAC PART NO. **LA-S3306-XXXXS** REV. **003**


TITLE
SSS, LOW ROW

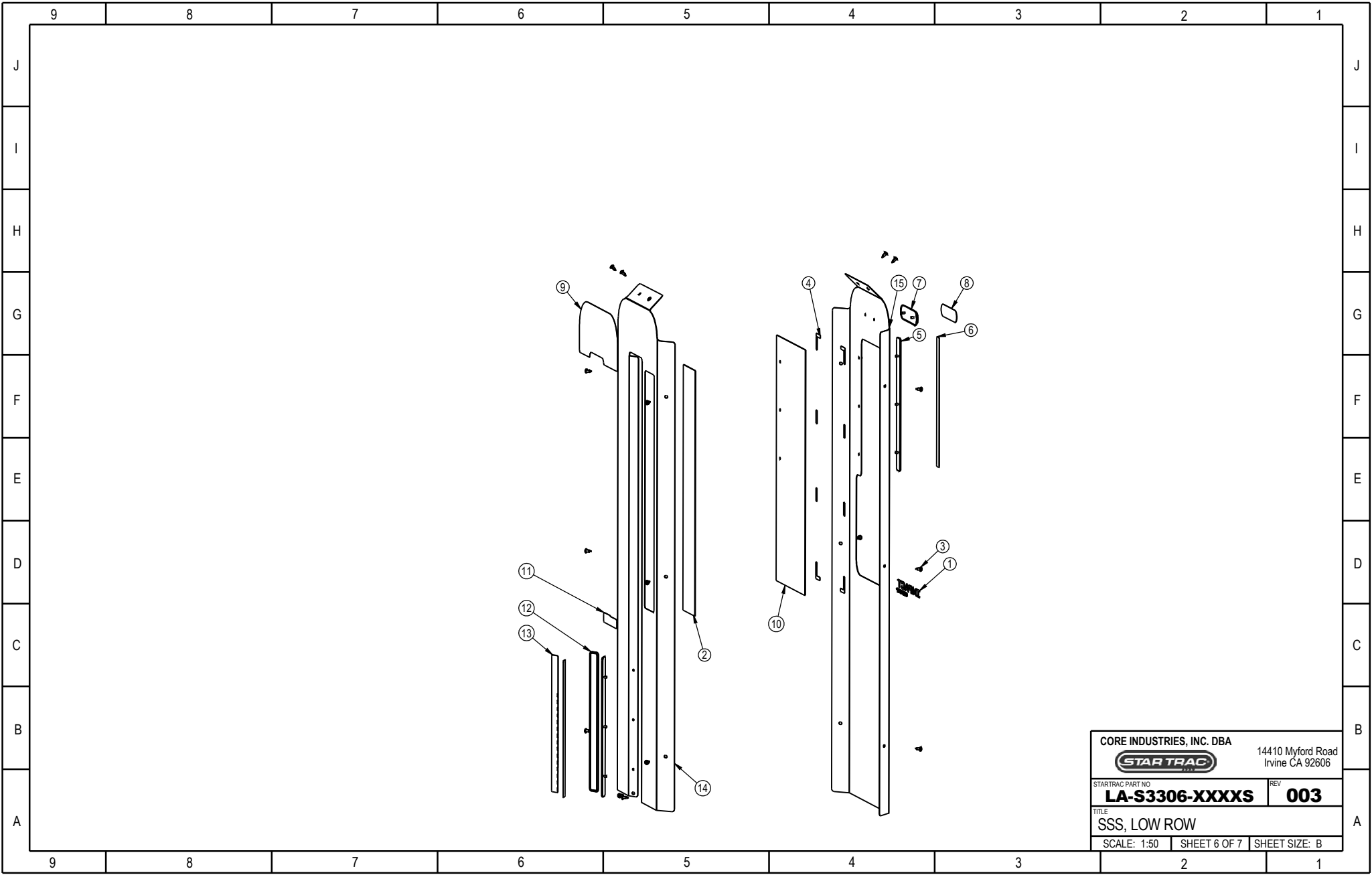
SCALE: 1:50 SHEET 3 OF 7 SHEET SIZE: B



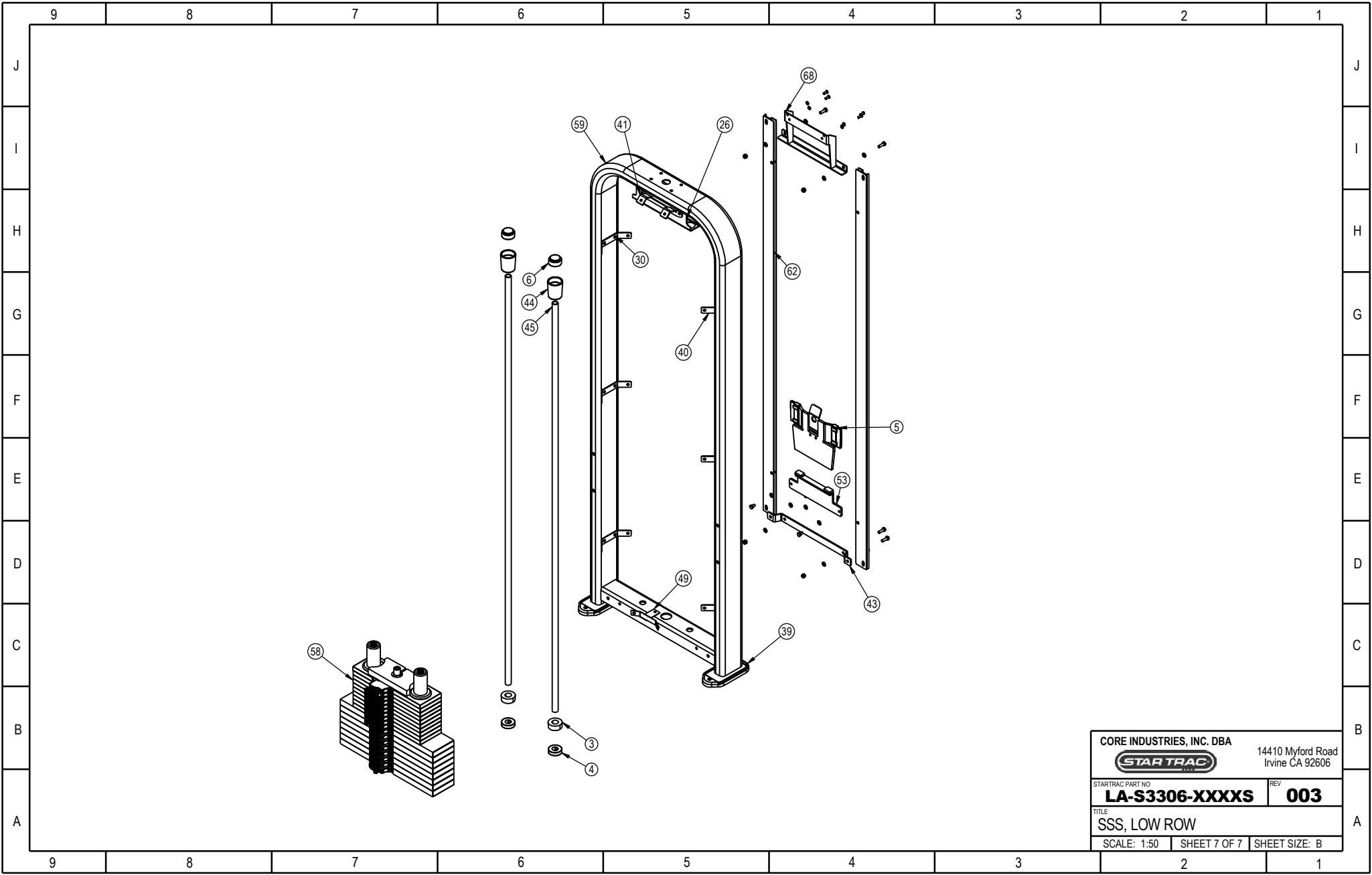
CORE INDUSTRIES, INC. DBA		14410 Myford Road
		Irvine CA 92606
STARTRAC PART NO	REV	
LA-S3306-XXXXS	003	
TITLE		
SSS, LOW ROW		
SCALE: 1:50	SHEET 4 OF 7	SHEET SIZE: B



CORE INDUSTRIES, INC. DBA		14410 Myford Road
		Irvine CA 92606
STARTRAC PART NO	REV	
LA-S3306-XXXXS	003	
TITLE		
SSS, LOW ROW		
SCALE: 1:50	SHEET 5 OF 7	SHEET SIZE: B



CORE INDUSTRIES, INC. DBA		14410 Myford Road
STAR TRAC		Irvine CA 92606
STARTRAC PART NO	REV	
LA-S3306-XXXXS	003	
TITLE		
SSS, LOW ROW		
SCALE: 1:50	SHEET 6 OF 7	SHEET SIZE: B



CORE INDUSTRIES, INC. DBA		14410 Myford Road Irvine CA 92606
STARTRAC PART NO	LA-S3306-XXXXS	REV 003
TITLE SSS, LOW ROW		
SCALE: 1:50	SHEET 7 OF 7	SHEET SIZE: B