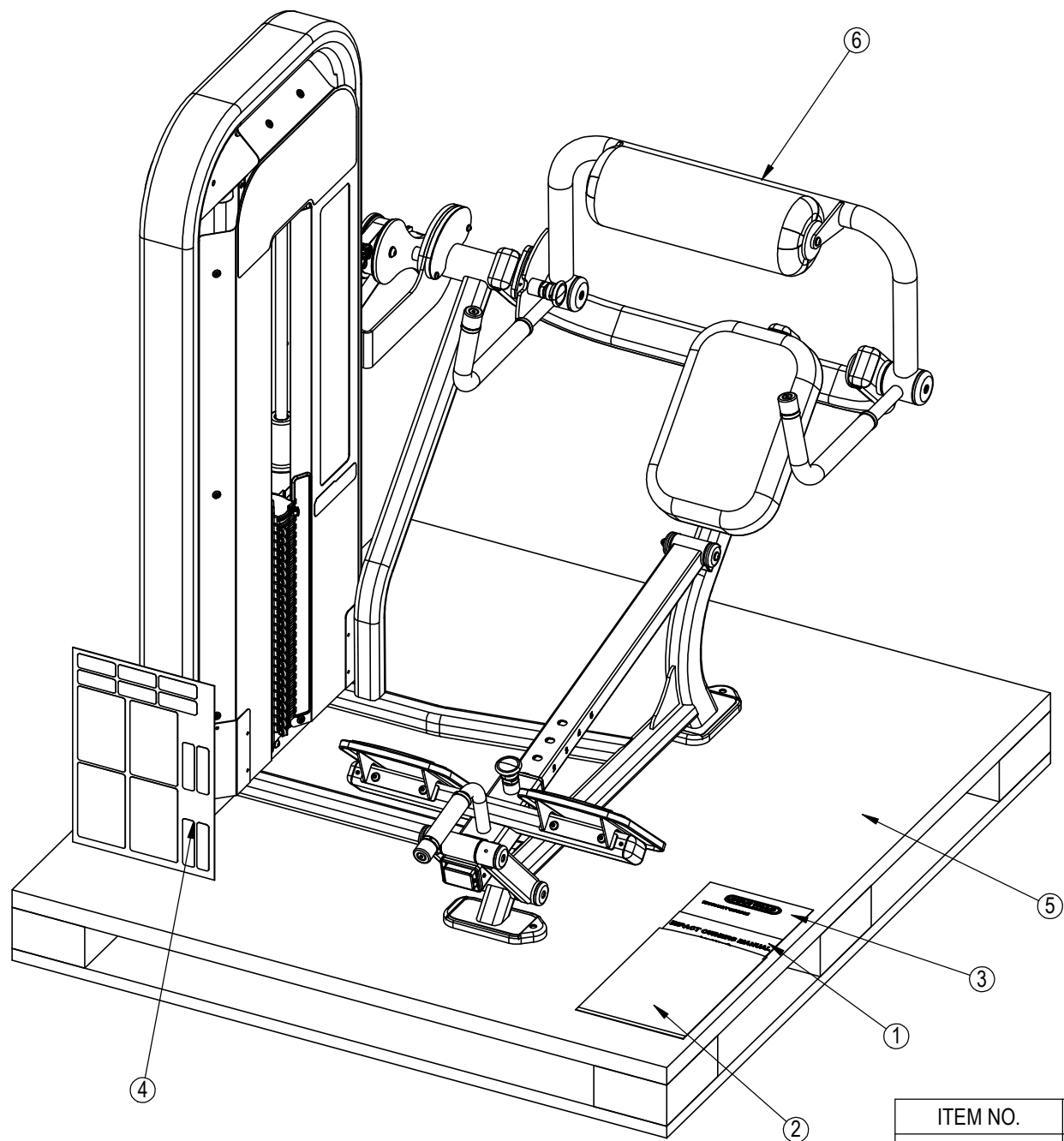


REVISION HISTORY				
REV	DATE	DESCRIPTION	ECO	BY
A	9/5/2012	RELEASED FOR PRODUCTION LA		LA
B	9/5/2012	UPDATED DOCUMENTATION	13861	PG



ITEM NO.	PART NUMBER	DESCRIPTION	QTY.
1	620-8143	MANUAL,OWNERS,IMPACT,STRENGTH	1
2	731-0246	BAG,225mm X 332mm	1
3	731-2449	CARD,REG,WARRANTY, IP-B	1
4	731-2902	STICKERS,PACKAGE,OLY MILITARY PRESS	1
5	731-5628	Pallet,SSS,LOW BACK	1
6	LA-S3302-XXXXS	LA, SSS, LOW BACK MACHINE	1

**NOTICE OF PROPRIETARY INFORMATION**  
 THIS DOCUMENT SHALL NOT BE REPRODUCED NOR SHALL THE INFORMATION CONTAINED HEREIN BE USED BY OR DISCLOSED TO OTHER EXCEPT AS EXPRESSLY AUTHORIZED BY CORE INDUSTRIES, INC., D.B.A. STAR TRAC.

**DOCUMENT STATUS:**

- NOTES:**  
 1. PLACE SHIPPING LABELS (ITEM 5) ON PACKAGED UNIT.  
 2. PLACE ITEMS 1,3, INSIDE ITEM 2.  
 3. ITEM 7 NOT SHOWN IN PACKED CONFIGURATION.

CLASS OF WORK	UNLESS OTHERWISE SPECIFIED DIMS ARE IN mm. TOLERANCES FOR MEASURE OF LENGTH ARE:							ANGLES = ±2°		
	0.5 to 3	>3 to 6	>6 to 30	>30 to 120	>120 to 400	>400 to 1000	>1000 to 2000	>2000		
FINE	±0.05	±0.05	±0.1	±0.15	±0.2	±0.3	±0.5	----		
MEDIUM	±0.1	±0.1	±0.2	±0.3	±0.5	±0.8	±1.2	±2		
COARSE	±0.2	±0.3	±0.5	±0.8	±1.2	±2	±3	±4		
VERY COARSE	----	±0.5	±1	±1.5	±2.5	±4	±6	±8		

**MATERIAL**  
SEE BOM

**FINISH**  
N/A

**VENDOR:** N/A      **P/N:** N/A

THIRD ANGLE PROJECTION		
	INITIAL	DATE
DRAWN	PG	9/5/12
CHECKED		
APPROVED		
	U.O.M.	MM

**CORE INDUSTRIES, INC. DBA**  
 14410 Myford Road  
 Irvine CA 92606

STARTRAC PART NO: **9LA-S3302-XXXXS**      REV: **B**

TITLE: **LA,SSS,LOW BACK**

SCALE: 1:25      SHEET 1 OF 1      SHEET SIZE: B