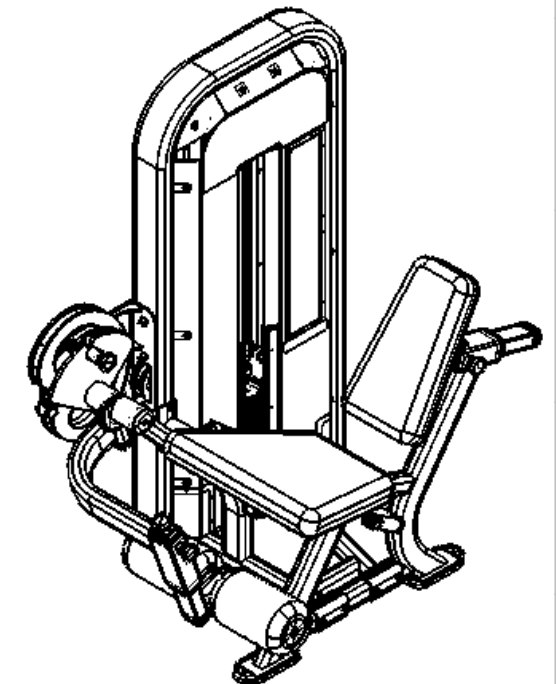
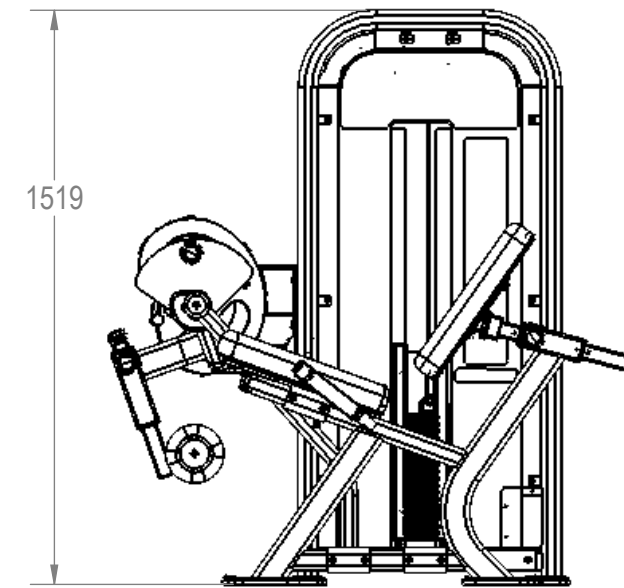
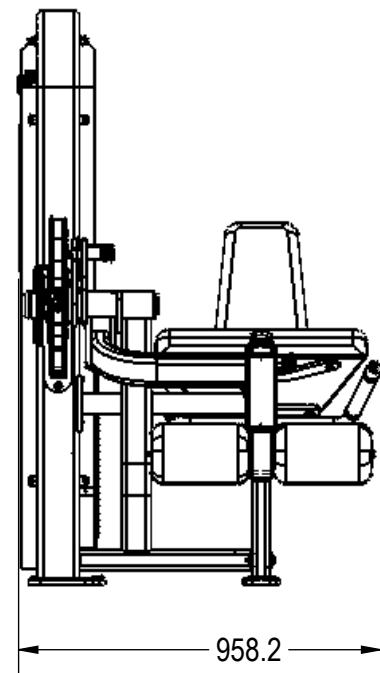
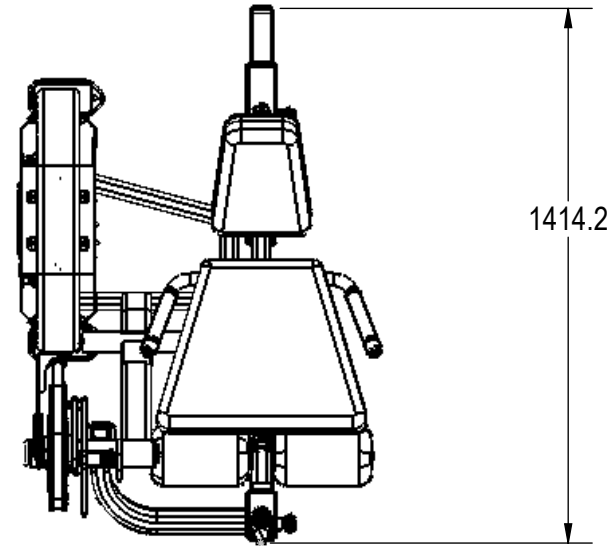


REVISION HISTORY				
REV	DATE	DESCRIPTION	ECO	BY
A	12/1/2012	RELEASED FOR PRODUCTION AT LAND AMERICA	----	LA
B	5/16/2012	MAKE DRAWING	13678	CLK



NOTICE OF PROPRIETARY INFORMATION
 THIS DOCUMENT SHALL NOT BE REPRODUCED NOR SHALL THE INFORMATION CONTAINED HEREIN BE USED BY OR DISCLOSED TO OTHER EXCEPT AS EXPRESSLY AUTHORIZED BY CORE INDUSTRIES, INC., D.B.A. STAR TRAC.

DOCUMENT STATUS:

NOTES:

CLASS OF WORK	UNLESS OTHERWISE SPECIFIED DIMS ARE IN mm. TOLERANCES FOR MEASURE OF LENGTH ARE:							ANGLES = ±2°
	0.5 to 3	> 3 to 6	> 6 to 30	> 30 to 120	> 120 to 400	> 400 to 1000	> 1000 to 2000	
FINE	±0.05	±0.05	±0.1	±0.15	±0.2	±0.3	±0.5	----
MEDIUM X	±0.1	±0.1	±0.2	±0.3	±0.5	±0.8	±1.2	±2
COARSE	±0.2	±0.3	±0.5	±0.8	±1.2	±2	±3	±4
VERY COARSE	----	±0.5	±1	±1.5	±2.5	±4	±6	±8

MATERIAL
SEE BOM

FINISH
N/A

VENDOR: N/A

P/N: N/A

THIRD ANGLE PROJECTION

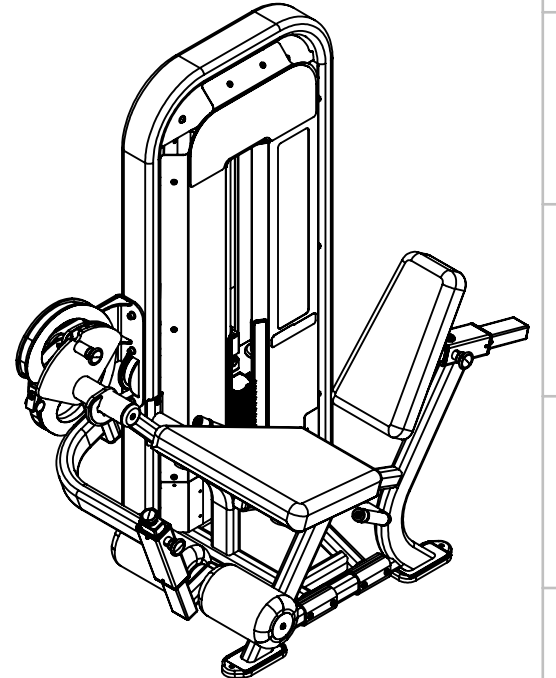


DRAWN	INITIAL CLK	DATE 5/3/2012
CHECKED		
APPROVED		
	U.O.M.	MM

CORE INDUSTRIES, INC. DBA
 14410 Myford Road
 Irvine CA 92606

STARTRAC PART NO	REV
LA-S1312-XXXXS	B
TITLE LEG EXTENSION, SIDE MOUNT	
SCALE: 1:20	SHEET 1 OF 7 SHEET SIZE: B

9		8		7		6		5		4		3		2		1			
	ITEM NO.	PART NUMBER	DESCRIPTION	QTY.		ITEM NO.	PART NUMBER	DESCRIPTION	QTY.		ITEM NO.	PART NUMBER	DESCRIPTION	QTY.		ITEM NO.	PART NUMBER	DESCRIPTION	QTY.
J	1	3500-0021	ASSY,UP.,ROLLER PAD,5.7ODX10LG	2		45	731-1917	TRIM RING,GRIP	4		89	731-3603	ASSY,WELD,BACKREST ADJ,LE	1	J				
	2	3500-0153	ASSY,UPHOLSTERY,S-1310	1		46	731-1932	RIVET,5MM	16		90	731-3606	CLAMSHELL,50.8X 85 HS,NO BREATHER	3					
	3	3500-0156	ASSY,UPHOLSTERY,S-1312	1		47	731-1933	RIVET, PUSH TYPE	18		91	731-3607	STICKER,NAME,LEG EXTENSION	1					
	4	4800-0001	BELT, 1312	117		48	731-2073	CAP,TUBE,44.5 X 76.2	1		92	731-3608	PLUG, TUBE, 60MM X 40MM,MODIFIED	1					
	5	4900-0070	VRC-1	1		49	731-2346	WASHER,M10,FENDER,BZ	1		93	731-3612	GRIP,1312,25MM	2					
I	6	4900-0440	PULLEY,BELT,4.75D,3/8B,1.5W,MOLDED	1		50	731-2647	FOOT, LONG, LEVERAGE	4		94	731-3613	PLATE, 130 DEG. STOP COVER	1	I				
	7	4900-0620	PULLEY,BELT,4.75D,3/8B,1.74W,MOLDED	4	B	51	731-3109	SHROUD,INSIDE,TALL,IMP	1		95	731-3614	ASSY,WGT FRAME,1312	1					
	8	4900-0626	TAPE, 3M VHB 5925	1100		52	731-3111	SHROUD,OUTSIDE,SHORT,IMP	1		96	731-3616	STICKER,IMP,90 KG	1					
	9	731-0033	NUT, RIVET,M8 X 1.25	3		53	731-3113	BRKT,SHROUD,IMP	6		97	731-3662	CAP,TUBE,44.5 X 50.8	2					
	10	731-0113	ASSY,2.5Kg,ADD ON	1		54	731-3114	BRKT, SHROUD, UPPER,IMP	2		98	731-3663	SPACER,KNOB,LE-SM	1					
H	11	731-0120	SCREW, M8 X 1.25, 20MM, FHM.HK	1		55	731-3115	HOUSING,PLASTIC,WGT STACK,IMP	2		99	731-3874	HOUSING,WGT FRAME,NAME,SHORT	1	H				
	12	731-0121	ASSY,STOP,ADD ON	1		56	731-3116	BRKT,MOUNT,LOWER,INCR CHNL,IMP	1		100	731-4780	STICKER,LOCK N LOAD,IMPACT	1					
	13	731-0124	CAP,GUIDE ROD,RUBBER	2		57	731-3117	COVER,SHROUD,LEFT,IMP	1		101	731-4882	WINDOW,IMP,SHORT	1					
	14	731-0137	BEARING,52 OD,25 ID,X 15MM	6		58	731-3118	COVER,SHROUD,RIGHT, IMP	1		102	731-4949	PLACARD,IMPACT,LEG EXTENSION SIDE MOUNT	1					
	15	731-0169	SCREW, M8X1.25,20MM, BHC, HK	12		59	731-3122	Brkt,mount,upper,incrm. channel,IMP	1		103	731-5161	STICKER, IMPACT STRENGTH	1					
G	16	731-0225	SCREW,M3.5 X 9.5,SELF TAPPING	10		60	731-3324	WELD,ADD ON,SHORT,IMP	2	B	104	731-5217	WINDOW,INSIDE,IMPACT,IMP,SHORT	1	G				
	17	731-0287	NUT,M8x1.25,NYLOCK	1		61	731-3391	BELT CLAMP BODY	1										
	18	731-0354	SCREW,M8 X 1.25,25MM,HHM,HE	6		62	731-3392	PLATE,THREADED,BELT CLAMP	1										
	19	731-0355	WASHER,PLAIN,M8,NARROW	48		63	731-3393	BELT CLAMP PLATE	2										
	20	731-0363	NUT,M10X1.5,NYLOC	8		64	731-3396	SHROUD CENTER SUPPORT	1										
F	21	731-0365	NUT,M8 X 1.25,NYLOC JAM	17		65	731-3415	ASSY,WGT STK,90kG	1										
	22	731-0367	WASHER,PLAIN,M10	20		66	731-3509	ROTATION LIMIT ASSY	1										
	23	731-0371	SCREW,M10 X 1.5,70MM,BHC,HK	8		67	731-3522	SCREW,M8 X 1.25,110mm,BHC,HK,NP	3										
	24	731-0379	SCREW,M8 X 1.25,20mm,SHC,HK	2		68	731-3523	PULL PIN ASSY,12.5 X 80	1										
E	25	731-0381	HOUSING,LOGO,STARTRAC	1		69	731-3527	LINK STOP,PLASTIC	1										
	26	731-0390	SCREW,M8 X 1.25,25mm,SHC,HK	3		70	731-3530	COVER,ROLLER PAD,10MM HOLE	2										
	27	731-0395	STOP, BUMP, OVER SCREW	2		71	731-3531	PLASTIC SPACER,25MM	2										
	28	731-0397	SCREW,M8 X 1.25,25mm,FHM,HK	2		72	731-3537	GUIDE RODE,Ø22MM X 1248MM	2										
	29	731-0398	SCREW,M8 X 1.25,70mm,BHC,HK	6		73	731-3540	PIN,BELT CLAMP	1										
D	30	731-0421	SCREW, M8 X 1.25, 30MM, SHC, HK, CS	2		74	731-3541	CLIP,BELT CLAMP PIN	2										
	31	731-0513	STICKER,STAR TRAC,DECO,45MMX191MM	1		75	731-3542	SCREW,M12 X 1.75,50mm,SHC,HK,CS,N	1										
	32	731-0532	SCREW,M8 X 1.25,12MM,HHM,HE	3		76	731-3543	MACHINE BUSHING, 25X1.25	4										
	33	731-0570	SCREW,M8 X 1.25,16mm,SHC,HK	1		77	731-3551	PIN,CAM,BELT CLAMP	1										
C	34	731-0637	RING,BEAUTY,ADJ,PAD	2		78	731-3552	CLAMP,CAM,BELT CLAMP	1										
	35	731-0638	SUPPORT,TUBE,ADJ,CHEST	4		79	731-3553	WRAP PIN,BELT CLAMP	1										
	36	731-0643	PLUG, TUBE, 60MM X 40MM	2		80	731-3559	SCREW,M10 X 1.5,65MM,BHC,HK	1										
	37	731-0644	BUMPER,CHEST PAD,ROW	1		81	731-3563	ASSY, WELD, MAIN FRM., LE-SM	1										
	38	731-0649	CAP,PULL PIN	1		82	731-3572	ASSY, WELD, WF CONNECTOR,1312	1										
B	39	731-0652	ASSY,PULL PIN,ADJ,RED	2		83	731-3582	ASSY, WELD, PIVOT ARM, LE-SM	1										
	40	731-0869	SCREW,M6 X 1.0, 25mm, BHS,HK	1		84	731-3589	ASSY, WELD, CAM SHAFT SPT, LE-SM	1										
	41	731-1045	SCREW, M10X1.5, 80MM, SHC, HK, ZP	3		85	731-3592	ASSY, WELD, WGT FRAME PASS THROUGH	1										
	42	731-1265	CAP,END,65MM,NO GROOVE	2		86	731-3594	ASSY, WELD, CAM SHAFT, LE-SM	1										
A	43	731-1529	Hexagon socket head cap screw ISO 4762 - M8 x 40	1		87	731-3596	PLATE, R.O.M. WEAR PAD, 7 HOLE	1										
	44	731-1904	END CAP	2		88	731-3597	ASSY, WELD, SHIN PAD ADJ, LE-SM	1										

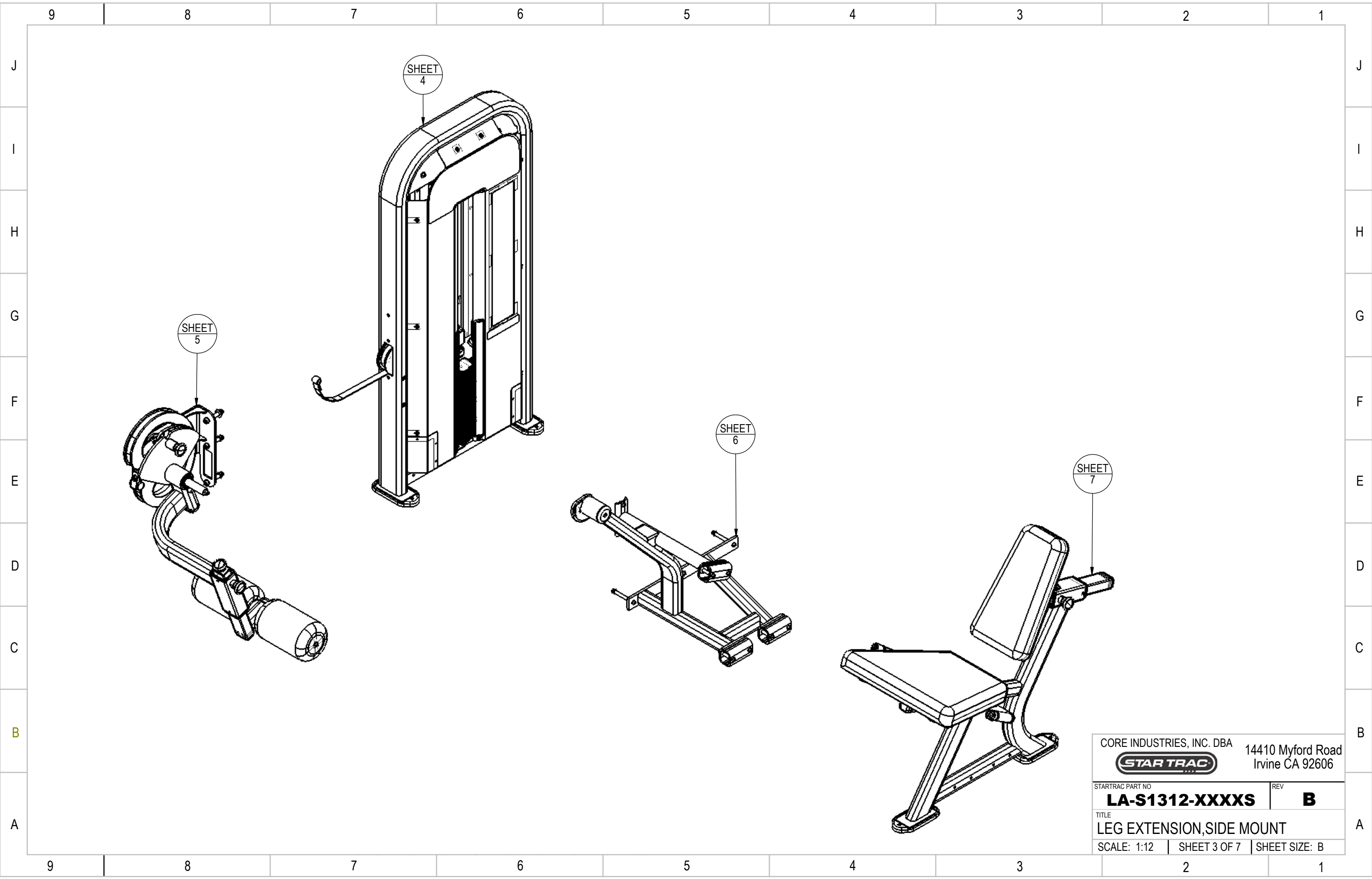


CORE INDUSTRIES, INC. DBA **STARTRAC** 14410 Myford Road
Irvine CA 92606

STARTRAC PART NO. **LA-S1312-XXXXS** REV **B**

TITLE **LEG EXTENSION,SIDE MOUNT**

SCALE: 1:20 | SHEET 2 OF 7 | SHEET SIZE: B

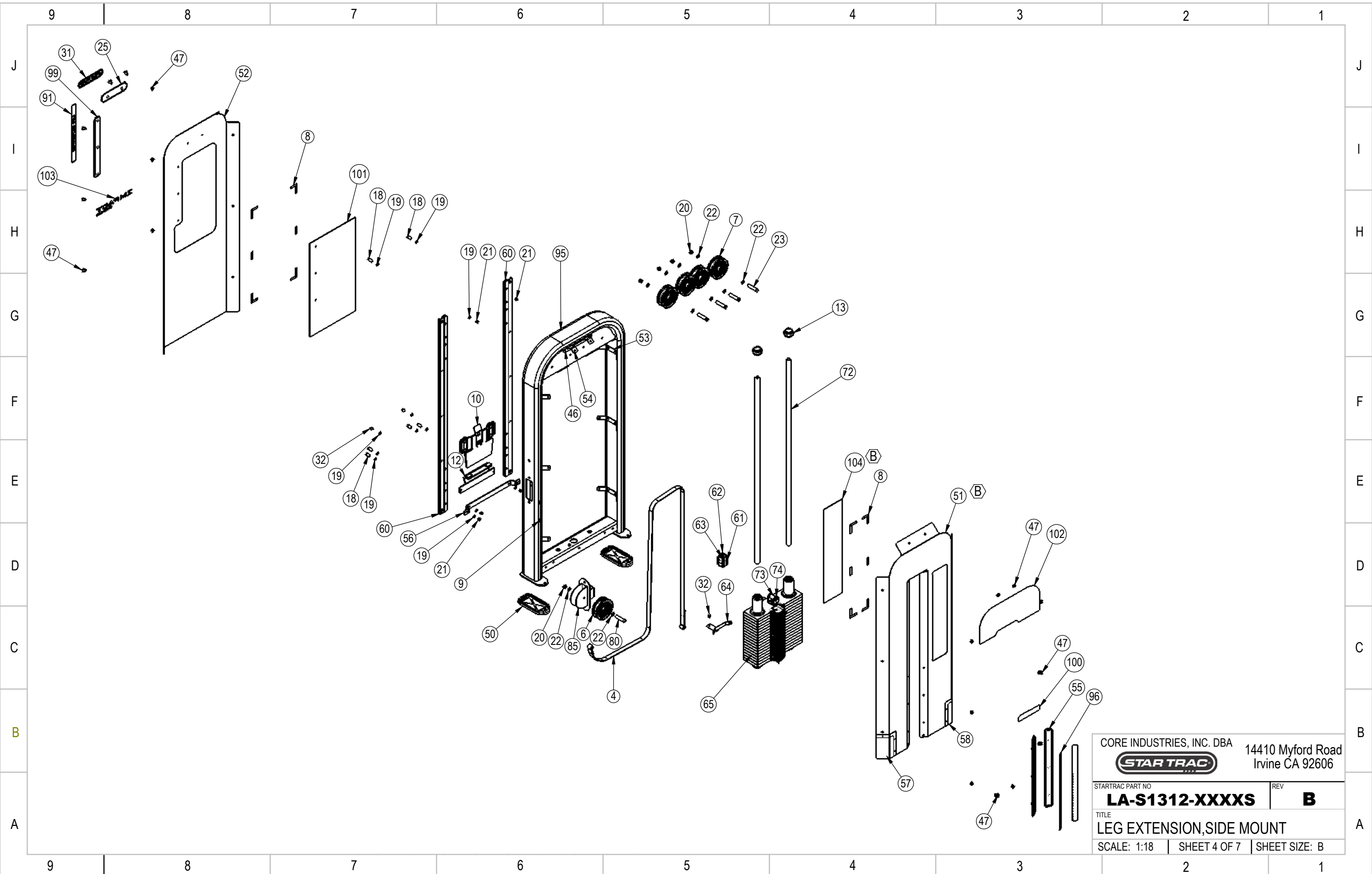


CORE INDUSTRIES, INC. DBA **STARTRAC** 14410 Myford Road
Irvine CA 92606

STARTRAC PART NO. **LA-S1312-XXXXS** REV **B**

TITLE
LEG EXTENSION, SIDE MOUNT

SCALE: 1:12 | SHEET 3 OF 7 | SHEET SIZE: B

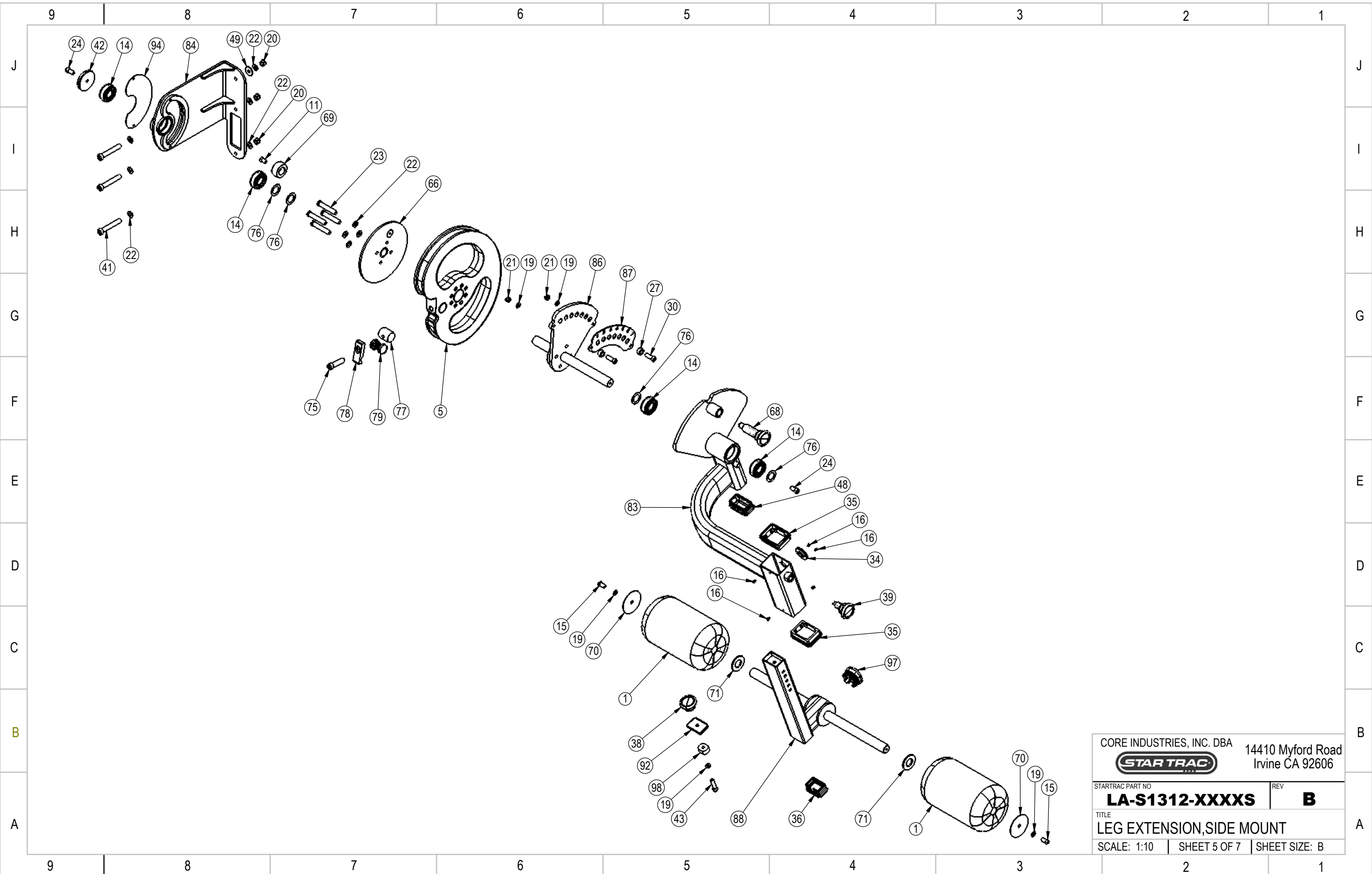


CORE INDUSTRIES, INC. DBA **STAR TRAC** 14410 Myford Road
Irvine CA 92606

STARTRAC PART NO. **LA-S1312-XXXXS** REV **B**

TITLE **LEG EXTENSION, SIDE MOUNT**

SCALE: 1:18 | SHEET 4 OF 7 | SHEET SIZE: B

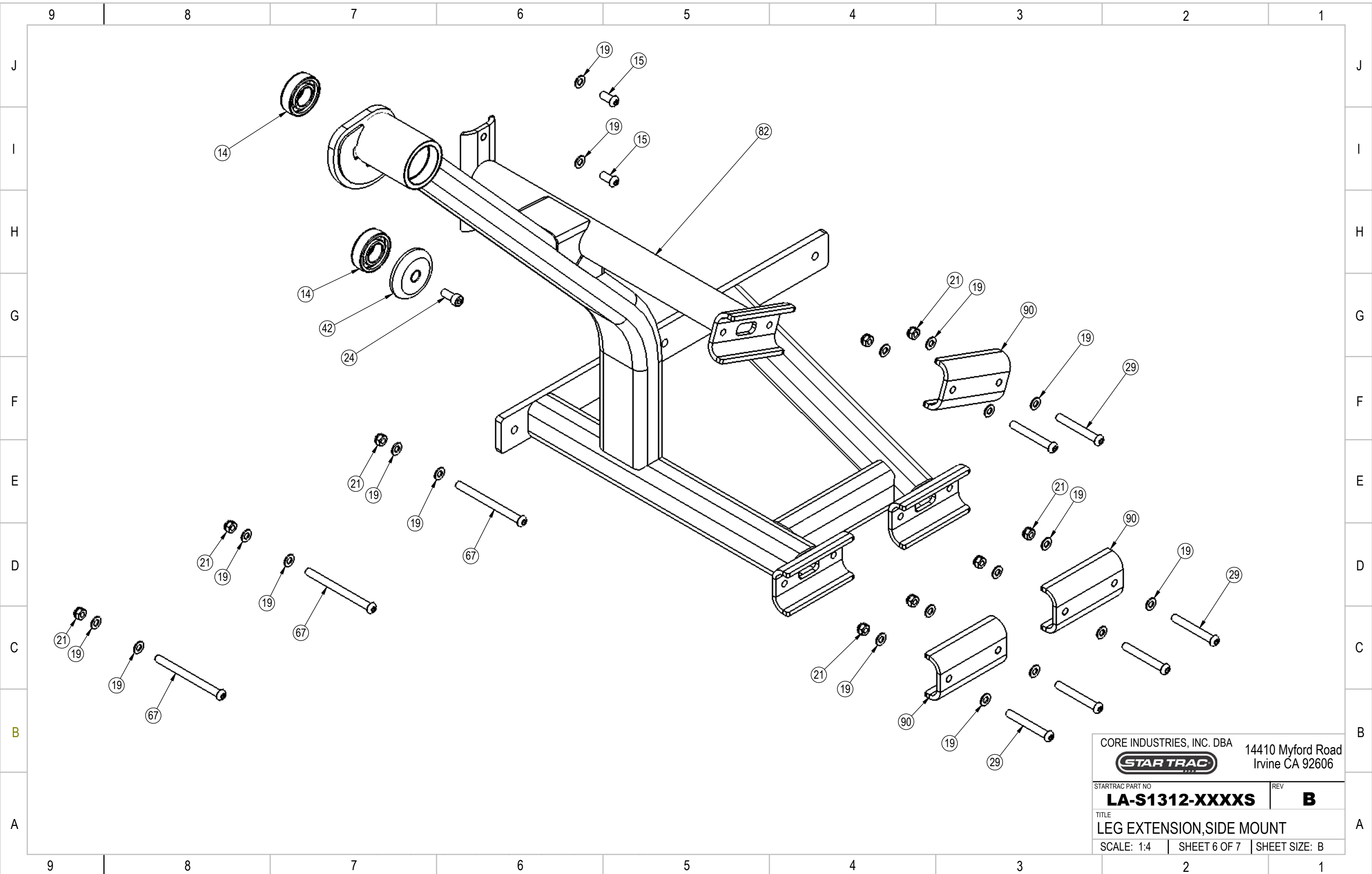


CORE INDUSTRIES, INC. DBA **STARTRAC** 14410 Myford Road
Irvine CA 92606

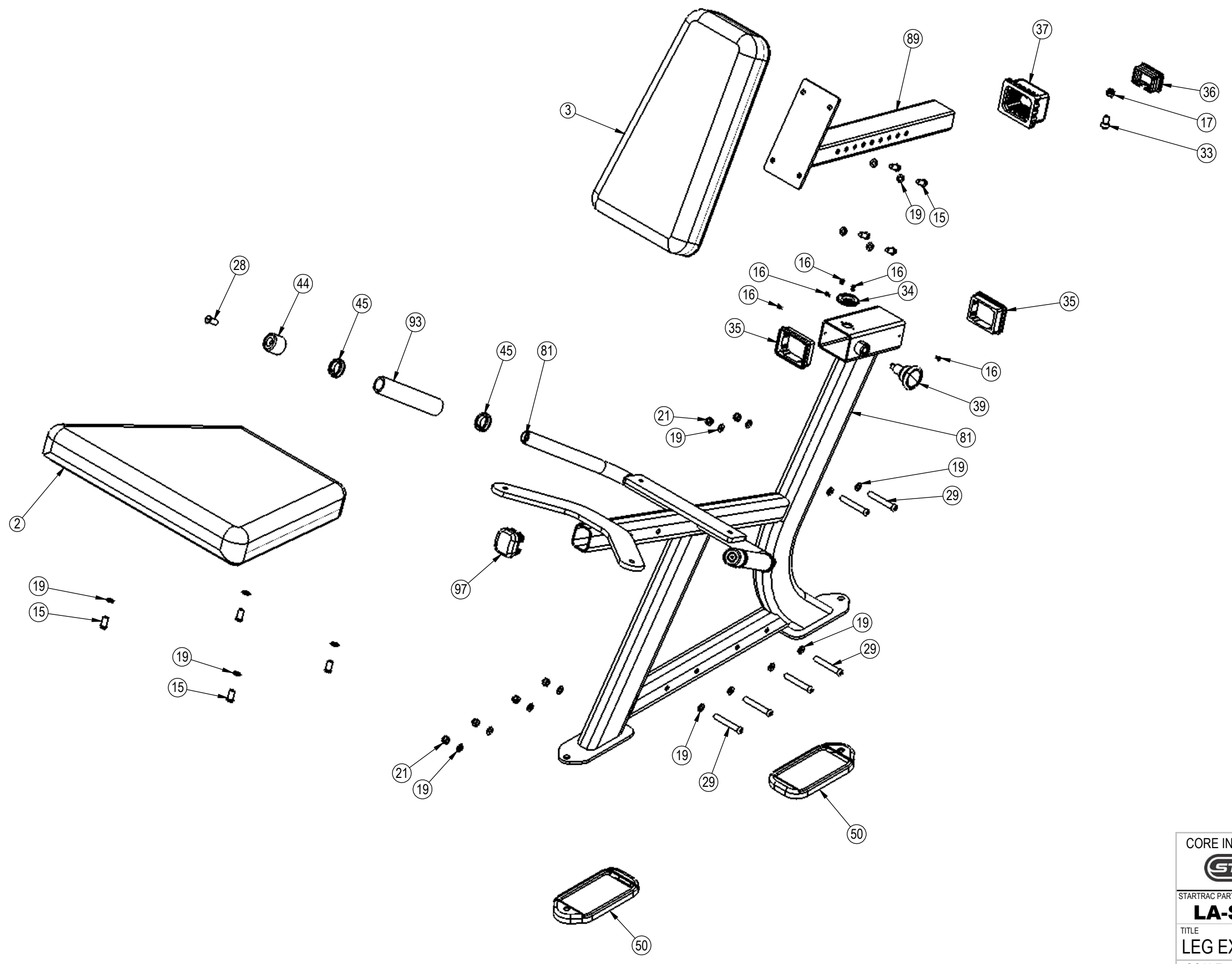
STARTRAC PART NO. **LA-S1312-XXXXS** REV **B**

TITLE **LEG EXTENSION, SIDE MOUNT**

SCALE: 1:10 | SHEET 5 OF 7 | SHEET SIZE: B



CORE INDUSTRIES, INC. DBA		14410 Myford Road Irvine CA 92606	
STARTRAC			
STARTRAC PART NO	LA-S1312-XXXXS		REV B
TITLE LEG EXTENSION, SIDE MOUNT			
SCALE: 1:4	SHEET 6 OF 7	SHEET SIZE: B	



CORE INDUSTRIES, INC. DBA		14410 Myford Road Irvine CA 92606	
STAR TRAC			
STARTRAC PART NO	LA-S1312-XXXXS		REV B
TITLE LEG EXTENSION, SIDE MOUNT			
SCALE: 1:8	SHEET 7 OF 7	SHEET SIZE: B	