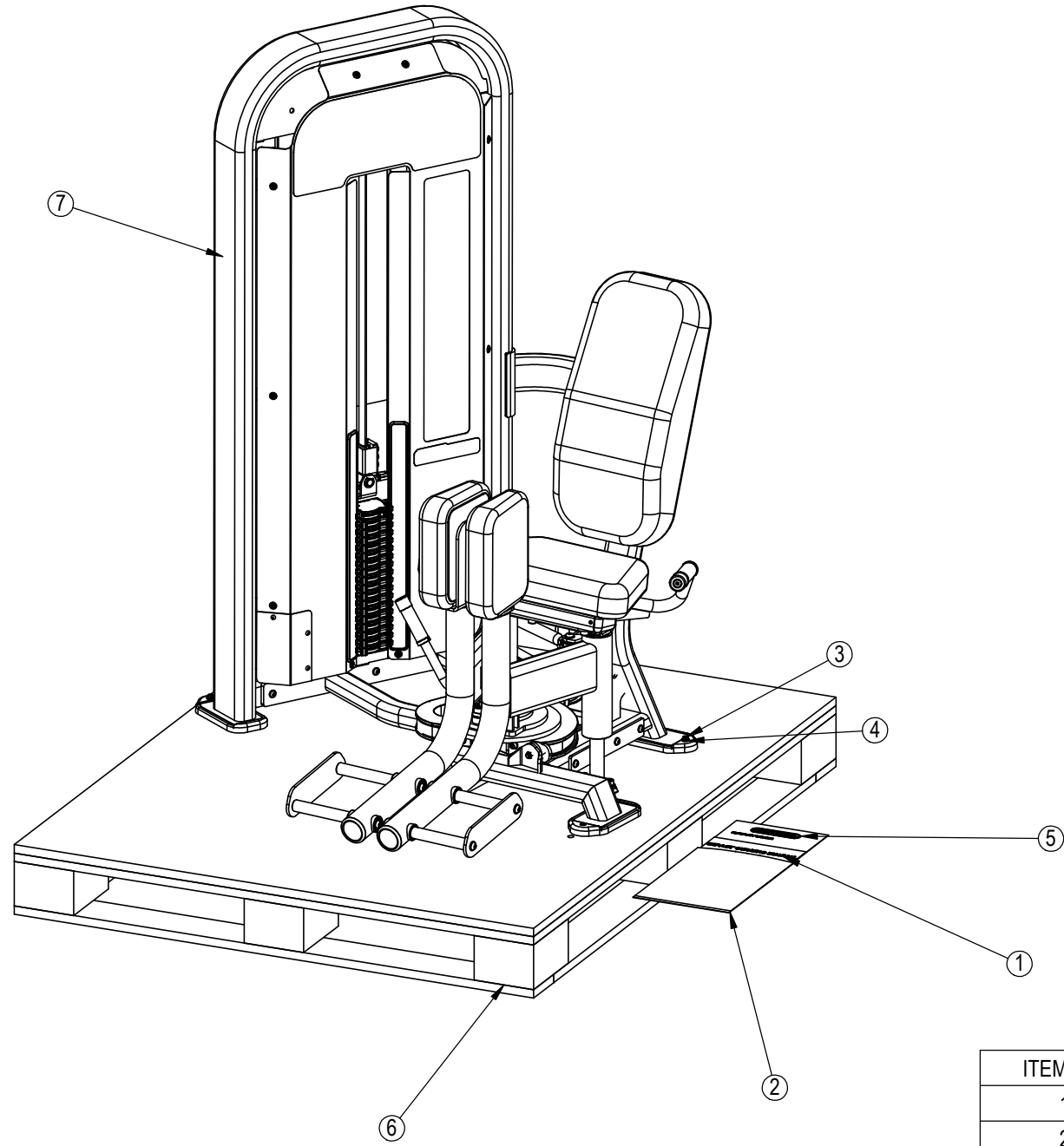


REVISION HISTORY				
REV	DATE	DESCRIPTION	ECO	BY
A	5/1/2012	RELEASED FOR PRODUCTION	13675	PG



ITEM NO.	PART NUMBER	DESCRIPTION	QTY.
1	620-8143	MANUAL, OWNERS, IMPACT, STRENGTH	1
2	731-0246	BAG, 225mm X 332mm	1
3	731-0256	SCREW, M6, 25mm, W, HE, ZP	3
4	731-0294	WASHER, M8, NYLON	3
5	731-2449	CARD, REG, WARRANTY, IP-B	1
6	731-5763	PALLET, WOOD, ADDUCT/ABDUCT, 48X60X5.5	1
7	LA-S1308-XXXXS	LA, SSS, ADDUCTOR	1

**NOTICE OF PROPRIETARY INFORMATION**  
 THIS DOCUMENT SHALL NOT BE REPRODUCED NOR SHALL THE INFORMATION CONTAINED HEREIN BE USED BY OR DISCLOSED TO OTHER EXCEPT AS EXPRESSLY AUTHORIZED BY CORE INDUSTRIES, INC., D.B.A. STAR TRAC.

**DOCUMENT STATUS:**

- NOTES:
- 2. PLACE ITEMS 1,5, INSIDE ITEM 2.
  - 3. ITEM 7 NOT SHOWN IN PACKED CONFIGURATION.

CLASS OF WORK	UNLESS OTHERWISE SPECIFIED DIMS ARE IN mm. TOLERANCES FOR MEASURE OF LENGTH ARE:							ANGLES = ±2°
	0.5 to 3	> 3 to 6	> 6 to 30	> 30 to 120	> 120 to 400	> 400 to 1000	> 1000 to 2000	
FINE	±0.05	±0.05	±0.1	±0.15	±0.2	±0.3	±0.5	----
MEDIUM	±0.1	±0.1	±0.2	±0.3	±0.5	±0.8	±1.2	±2
COARSE	±0.2	±0.3	±0.5	±0.8	±1.2	±2	±3	±4
VERY COARSE	----	±0.5	±1	±1.5	±2.5	±4	±6	±8

**MATERIAL**  
SEE BOM

**FINISH**  
N/A

**VENDOR:** N/A

**P/N:** N/A

THIRD ANGLE PROJECTION		
DRAWN	INITIAL	DATE
CHECKED		
APPROVED		
	U.O.M.	MM

**CORE INDUSTRIES, INC. DBA**  
  
 14410 Myford Road  
 Irvine CA 92606

STARTRAC PART NO: **9LA-S1308-XXXXS** REV: **A**

TITLE: **LA, SSS, ADDUCTOR**

SCALE: 1:50 | SHEET 1 OF 1 | SHEET SIZE: B