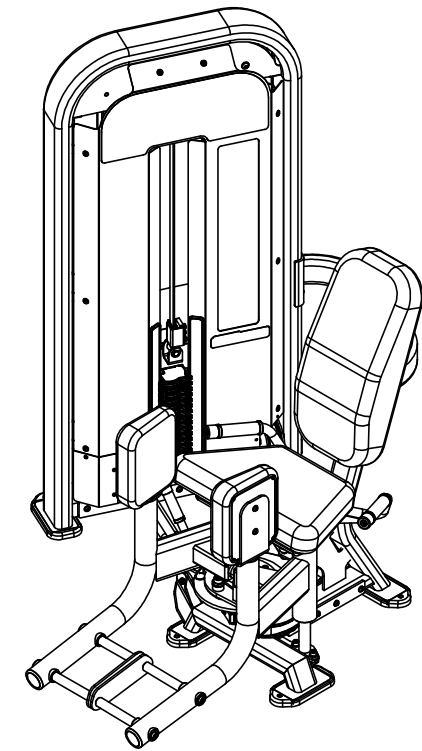
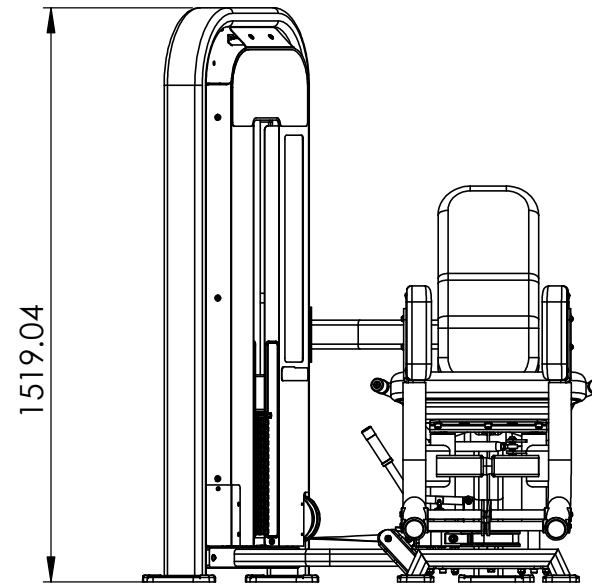
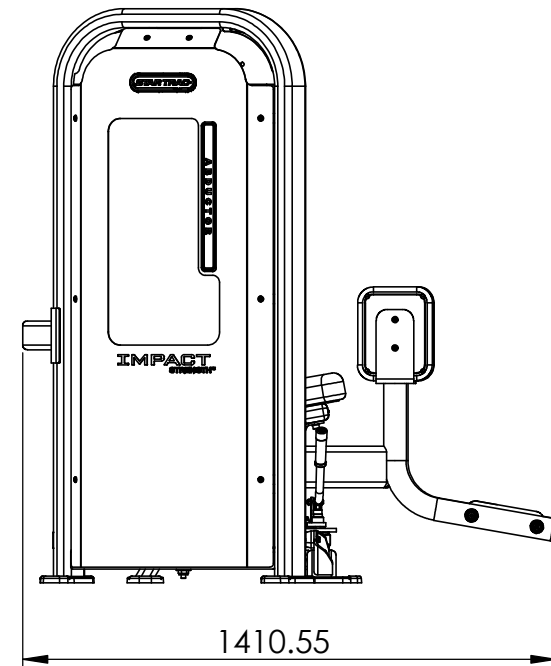
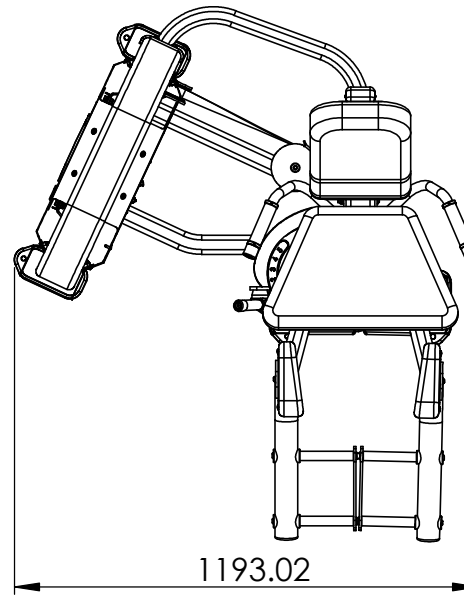


REVISION HISTORY				
REV	DATE	DESCRIPTION	ECO	BY
A	5/1/2012	INITIAL RELEASE BY LAND AMERICA	13674	KEY



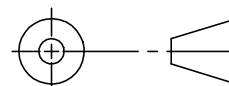
**DOCUMENT STATUS:**

NOTES:

- ASSEMBLE AND INSPECT PER SOP 620-7918.
- INSTALL Kg STICKER AND AFFIX Lb STICKER TO INSIDE OF SHROUD WITH TAPE.

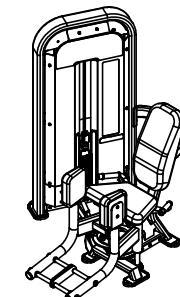
NOTICE OF PROPRIETARY INFORMATION  
THIS DOCUMENT SHALL NOT BE REPRODUCED NOR SHALL THE INFORMATION CONTAINED HEREIN BE USED BY OR DISCLOSED TO OTHER EXCEPT AS EXPRESSLY AUTHORIZED BY COR INDUSTRIES, INC., D.B.A. STAR TRAC.


THIRD ANGLE PROJECTION



<b>MATERIAL</b> SEE BOM		<small>UNLESS OTHERWISE SPECIFIED DIMENSIONS ARE IN INCHES. TOLERANCES ARE: DECIMALS      ANGLES X.      = ±.13      ±2° X.X      = ±.05 X.XX    = ±.03 X.XXX   = ±.010</small>		CORE INDUSTRIES, INC. DBA <b>STAR TRAC</b> 14410 Myford Road Irvine CA 92606	
<b>FINISH</b> N/A		<small>DRAWN</small>	<small>KEY</small>	<small>DATE</small> 9/28/12	STARTRAC PART NO <b>LA-S1307-XXXXS</b> <small>REV</small> <b>A</b>
VENDOR: <b>N/A</b> P/N: <b>N/A</b>		<small>CHECKED</small>	<small>APPROVED</small>	<small>U.O.M.</small> INCH	<small>TITLE</small> <b>LA, SSS, ABDUCTOR</b>
		<small>SCALE:</small> 1:50	<small>SHEET 1 OF 9</small>	<small>SHEET SIZE:</small> B	

9				8				7				6				5				4				3				2				1																																																																																																																																																																																																																																																																																																																																																																																																																																																																																					
J	ITEM NO.	PART NUMBER	DESCRIPTION	QTY.	ITEM NO.	PART NUMBER	DESCRIPTION	QTY.	ITEM NO.	PART NUMBER	DESCRIPTION	QTY.	ITEM NO.	PART NUMBER	DESCRIPTION	QTY.	ITEM NO.	PART NUMBER	DESCRIPTION	QTY.	J																																																																																																																																																																																																																																																																																																																																																																																																																																																																																																
																						I	1	4900-0071	CAM, S1307/1308	1	46	731-1933	RIVET, PUSH TYPE	18	91	731-4582	PLATE, WEIGHT STACK SUPPORT	1	I	2	4900-0440	PULLEY,BELT,4.75D,3/8B,1.5W,MOLDED	1	47	731-2073	CAP,TUBE,44.5 X 76.2	3	92	731-4583-XX	PLATE,FOOT,AB/AD	2	H	3	4900-0441	PULLEY,BELT,4.75D,1/2B,1.5W,MOLDED	1	48	731-2530	SCREW,M10,30MM,HHM,HE,CS,BZ	1	93	731-4670-00XX	ASSY, UPHOLSTRY, BACK PAD AB	1	G	4	4900-0620	PULLEY,BELT,4.75D,3/8B,1.74W,MOLDED	2	49	731-2647	FOOT, LONG, LEVERAGE	5	94	731-4780	STICKER, LOCK N LOAD, IMPACT	1	F	5	4900-0626	TAPE, 3M VHB 5925	500	50	731-2855	CAP END 60MM TUBE	2	95	731-4790	STICKER, NAME, ABDUCTOR	1	E	6	731-0033	NUT, RIVET, M8 X 1.25	1	51	731-3109	SHROUD, INSIDE, TALL, IMP	1	96	731-4882	WINDOW, IMP, SHORT	1	D	7	731-0034	WASHER, M8, 34MM OD, 1.5MM THK	1	52	731-3111	SHROUD, OUTSIDE, SHORT, IMP	1	97	731-4894	NUT, M16X1.5, NYLOC, ZP	2	C	8	731-0040	STOP, Ø50X26, RUBBER	2	53	731-3113	BRKT, SHROUD, IMP	6	98	731-4964	PLACARD, IMPACT, ABDUCTOR	1	B	9	731-0113	ASSY, 2.5Kg, ADD ON	1	54	731-3114	BRKT, SHROUD, UPPER, IMP	2	99	731-5060-00XX	ASSY, SEAT PAD, AB/AD	1	A	10	731-0124	CAP, GUIDE ROD, RUBBER	2	55	731-3115	HOUSING, PLASTIC, WGT STACK, IMP	2	100	731-5061-00XX	ASSY, THIGH PAD, AB/AD	2	11	731-0169	SCREW, M8X1.25, 20MM, BHC, HK	4	56	731-3116	BRKT, MOUNT, LOWER, INCR CHNL, IMP	1	101	731-5062	FOOT PEG, AB/AD	4	12	731-0188	COLLAR, O-RING SEAL	2	57	731-3117	COVER, SHROUD, LEFT, IMP	1	102	731-5063-XX	BRKT, UPPER PIVOT, AB/AD	1	13	731-0190	O-RING, 3.5 DIA X 45 ID	2	58	731-3122	BRKT, MOUNT, UPPER, INCR. CHAN, IMP.	1	103	731-5064	ASSY, TIE ROD, 219.3mm ADJ	1	14	731-0208	MACHINE WASHER 25MM ID	2	59	731-3195	SCREW, M10 X 1.5, 30MM, BHC, HK	4	104	731-5066-XX	PLATE, PIVOT ADJUST	2	15	731-0225	SCREW, M3.5 X 9.5, SELF TAPPING	6	60	731-3324	WELD, ADD ON, SHORT, IMP	2	105	731-5067-XX	WELD, LOWER ROM PLATE	1	16	731-0235	SCREW, M8 X 1.25, 75mm, BHC, HK	7	61	731-3387	BELT GUIDE, 63MM	1	106	731-5070	ASSY, ROM PIN, AB/AD	1	17	731-0287	NUT, M8x1.25, NYLOCK	1	62	731-3391	BELT CLAMP BODY	1	107	731-5072	ROM PLATE, AB/AD	1	18	731-0335	STICKER, MADE IN CHINA, IP	1	63	731-3392	PLATE, THREADED, BELT CLAMP	1	108	731-5073		1	19	731-0354	SCREW, M8 X 1.25, 25MM, HHM, HE	6	64	731-3393	BELT CLAMP PLATE	2	109	731-5074	ASSY, WGT FRAME, AB/AD	1	20	731-0355	WASHER, PLAIN, M8, NARROW	63	65	731-3396	SHROUD CENTER SUPPORT	1	110	731-5076-XX	WELD, RIGHT LEG, ABD	1	21	731-0357	WASHER, PLAIN, M12	2	66	731-3415	ASSY, WGT STK, 90kG	1	111	731-5078-XX	WELD, LEFT LEG, ABD	1	22	731-0359	SCREW, M8 X 1.25, 25mm, BHC, HK	2	67	731-3521	SCREW, M8 X 1.25, 105mm, BHC, HK, NP	4	112	731-5079-XX	ASSY, WELD, MAIN FRAME, 1308	1	23	731-0361	SCREW, M8 X 1.25, 45MM, FHM, HK	1	68	731-3522	SCREW, M8 X 1.25, 110mm, BHC, HK, NP	3	113	731-5081-XX	ROM HANDLE, AB/AD	1	24	731-0363	NUT, M10X1.5, NYLOC	13	69	731-3537	GUIDE RODE, Ø22MM X 1248MM	2	114	731-5082-XX	STOP TAB, ABD	1	25	731-0365	NUT, M8 X 1.25, NYLOC JAM	25	70	731-3540	PIN, BELT CLAMP	1	115	731-5083	BELT, ABD	1	26	731-0366	SCREW, M10 X 1.5, 50MM, BHC, HK	2	71	731-3541	CLIP, BELT CLAMP PIN	2	116	731-5091	GRIP, AB/AD, 25MM	2	27	731-0367	WASHER, PLAIN, M10	41	72	731-3542	SCREW, M12 X 1.75, 50mm, SHC, HK, CS, N	1	117	731-5161	STICKER, IMPACT STRENGTH	1	28	731-0368	SCREW, M8 X 1.25, 40mm, BHC, HK	1	73	731-3545	END CAP, 19MM TUBE	1	118	731-5217	WINDOW, INSIDE, IMPACT, IMP, SHORT	1	29	731-0371	SCREW, M10 X 1.5, 70MM, BHC, HK	7	74	731-3546	TRIM RING, 19MM TUBE	1	119	731-5393	STOP, CAM	1	30	731-0381	HOUSING, LOGO, STARTRAC	1	75	731-3547	GRIP, 1301, 19MM	1	120	731-5781	LINK, CHAIN	1	31	731-0390	SCREW, M8 X 1.25, 25mm, SHC, HK	3	76	731-3551	PIN, CAM, BELT CLAMP	1	121	731-5782	SCREW, M10X1.5, 25MM, HHC, HE, CS, BZ	4	32	731-0397	SCREW, M8 X 1.25, 25mm, FHM, HK	8	77	731-3552	CLAMP, CAM, BELT CLAMP	1	122	731-5783	RETAINING RING, EXT., 25MM SHAFT	2	33	731-0513	STICKER, STAR TRAC, DECO, 45MMX191MM	1	78	731-3553	WRAP PIN, BELT CLAMP	1	123	740-7809	NUT, RIVET, M10 X 1.5	3	34	731-0517	STICKER, WARNING, BOLT DOWN	1	79	731-3557	BOLT PLATE, FLAT, 52X105 HS	1	35	731-0532	SCREW, M8 X 1.25, 12MM, HHM, HE	3	80	731-3616	STICKER, IMP, 90 KG	1	36	731-0583	STICKER, SERIAL NUMBER, IP	1	81	731-3671	SPACER, M10, 5MM	4	37	731-0813	WASHER, TAB, M24	2	82	731-3779	SCREW, M12 X 1.75, 125mm, BHC, HK	1	38	731-0815	NUT, M24, TAB	2	83	731-3796	ASSY, STOP, MOUNT, ADD ON, IMP	1	39	731-0842	ASSY, BRG, TAPER, 30205	4	84	731-3874	HOUSING, WGT FRAME, NAME, SHORT	1	40	731-1194	SCREW, M6 x 1.0, 16mm, FHM, HK	2	85	731-4224	BUSHING, 26MM ID	2	41	731-1777	SCREW, M8 X 1.25, 30mm, BHC, HK	8	86	731-4567-XX	WELD, ROM HANDLE PLATE	1	42	731-1852	SCREW, M10 X 1.5, 30MM, SHCS, HK, NP	11	87	731-4572-XX	WELD, UPPER CONN, AB/AD	1	43	731-1904

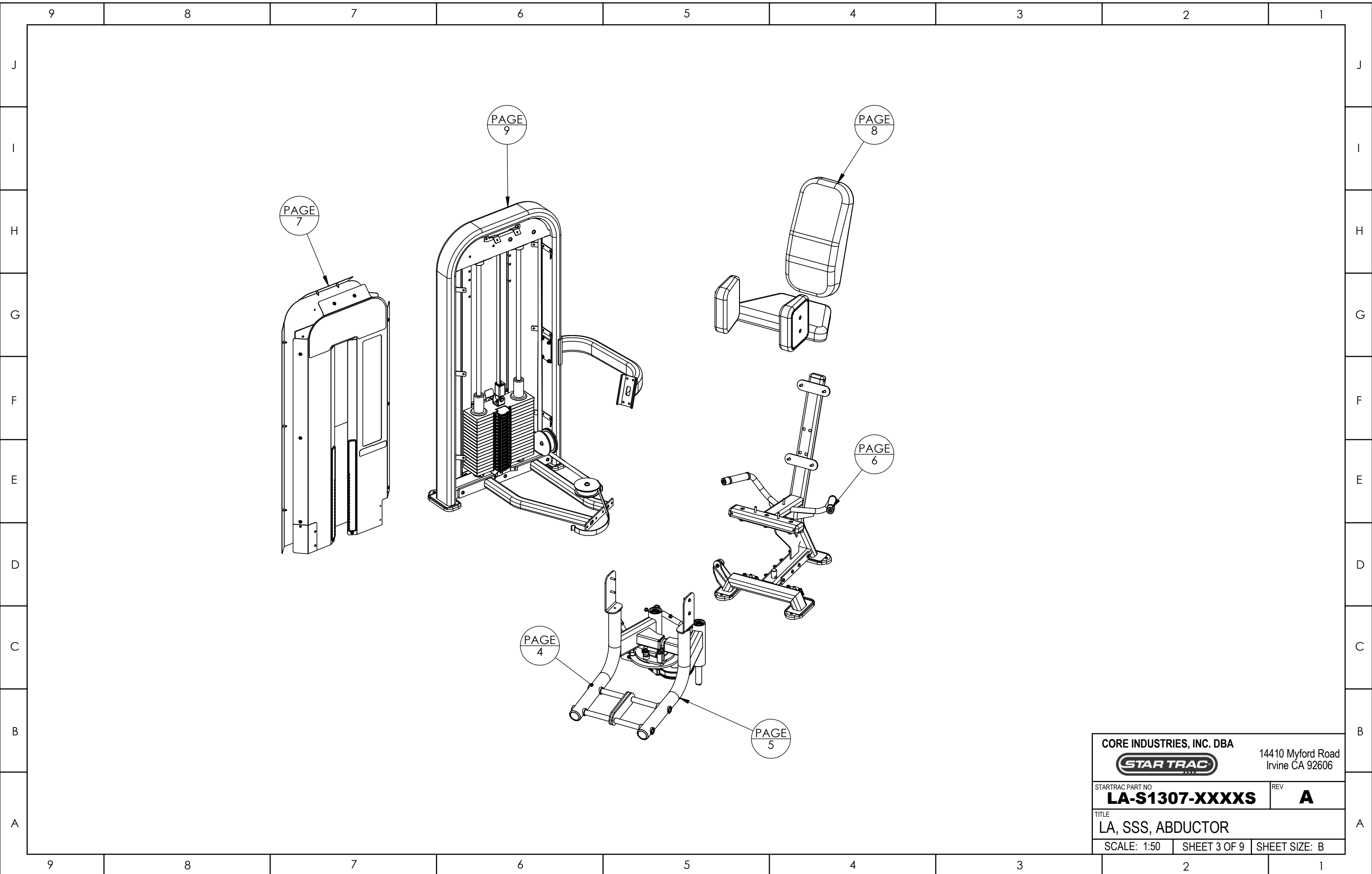


**CORE INDUSTRIES, INC. DBA**  
  
 14410 Myford Road  
 Irvine CA 92606

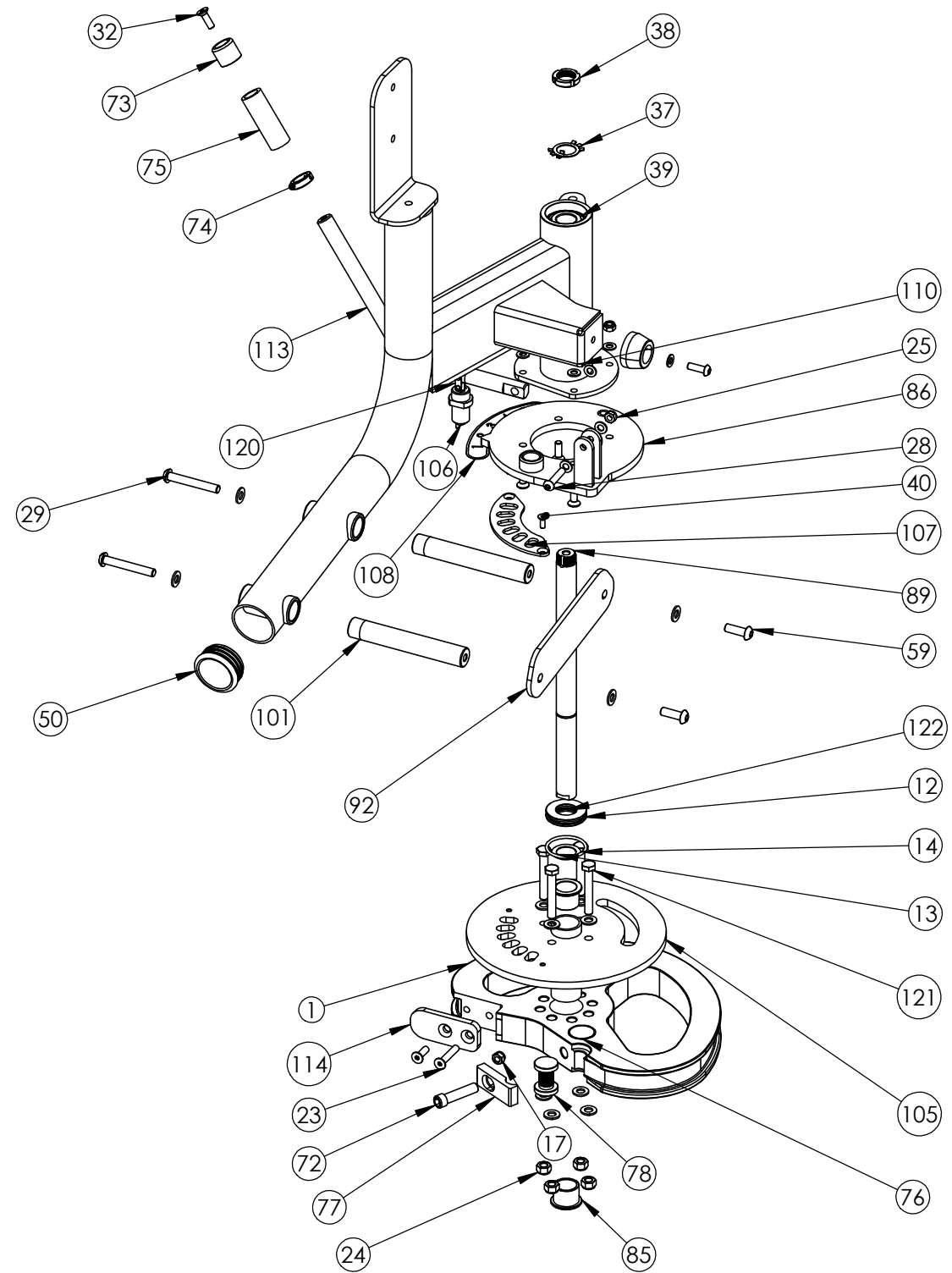
STARTRAC PART NO. **LA-S1307-XXXXS** REV **A**

TITLE  
**LA, SSS, ABDUCTOR**

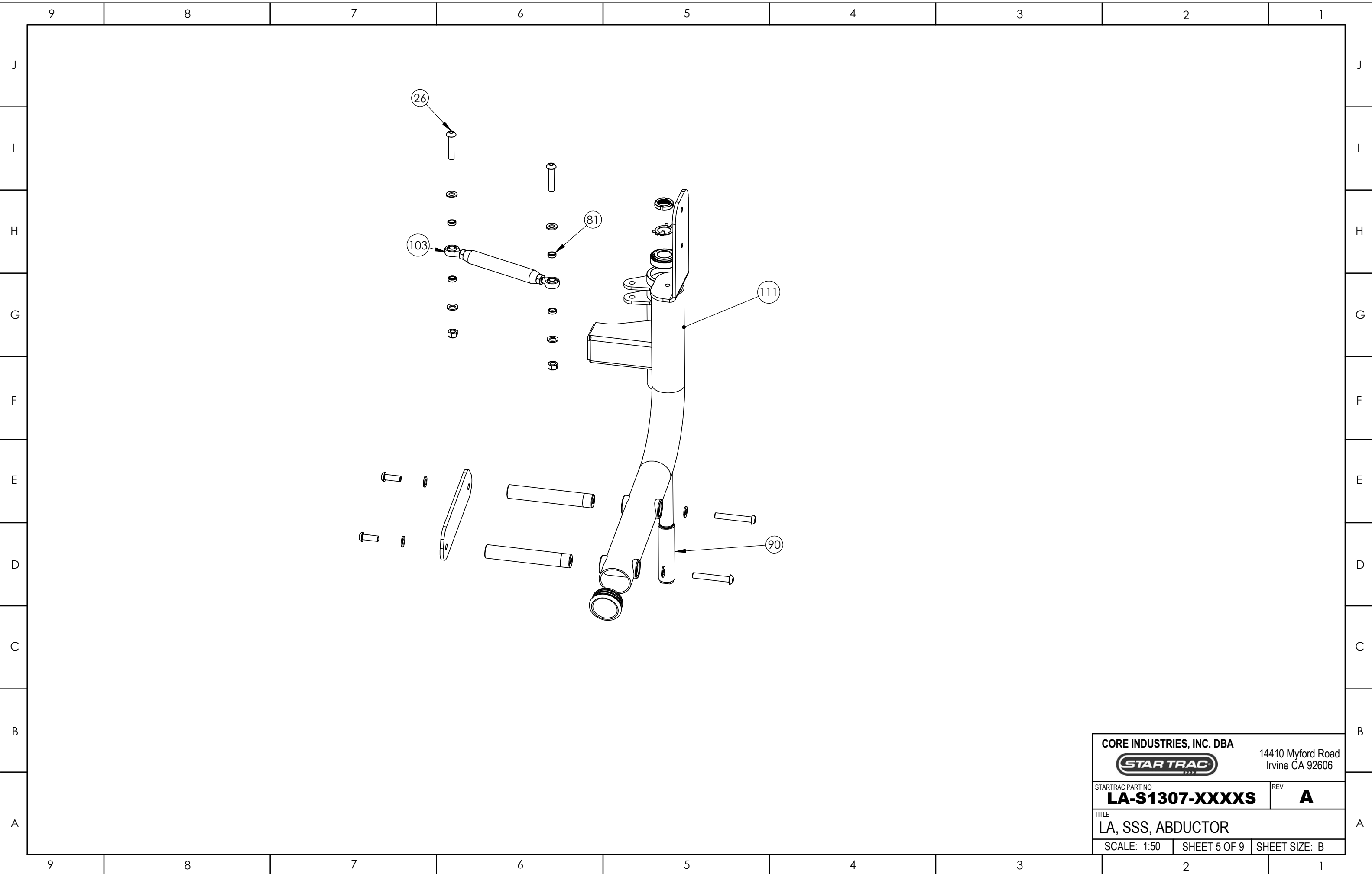
SCALE: 1:50 SHEET 2 OF 9 SHEET SIZE: B




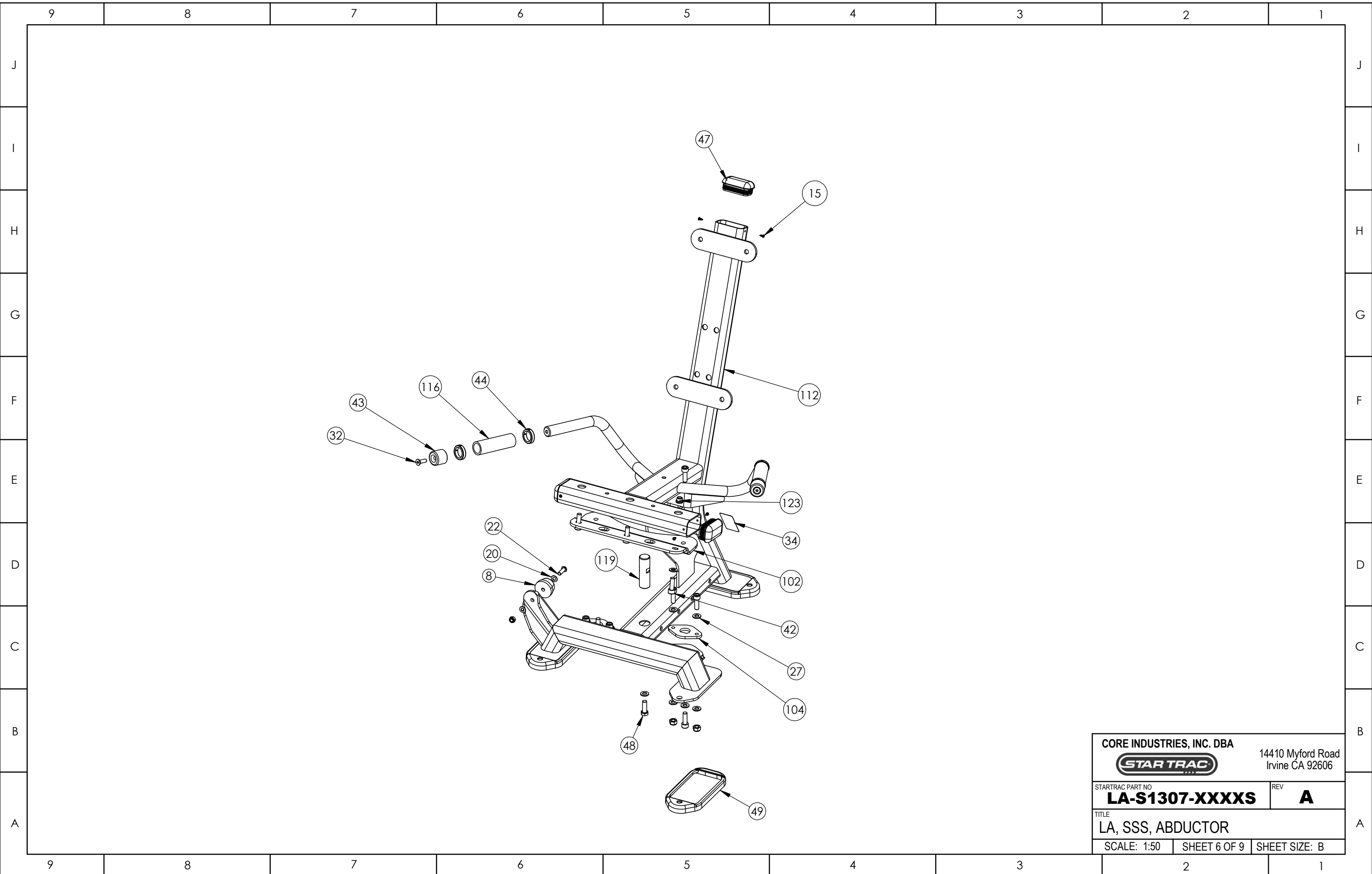
CORE INDUSTRIES, INC. DBA		14410 Myford Road
		Irvine CA 92606
STARTRAC PART NO	<b>LA-S1307-XXXXS</b>	REV <b>A</b>
TITLE LA, SSS, ABDUCTOR		
SCALE: 1:50	SHEET 3 OF 9	SHEET SIZE: B



CORE INDUSTRIES, INC. DBA		14410 Myford Road Irvine CA 92606	
<b>STAR TRAC</b>			
STARTRAC PART NO	<b>LA-S1307-XXXXS</b>	REV	<b>A</b>
TITLE <b>LA, SSS, ABDUCTOR</b>			
SCALE: 1:50	SHEET 4 OF 9	SHEET SIZE: B	



CORE INDUSTRIES, INC. DBA		14410 Myford Road
		Irvine CA 92606
STARTRAC PART NO	<b>LA-S1307-XXXXS</b>	REV <b>A</b>
TITLE LA, SSS, ABDUCTOR		
SCALE: 1:50	SHEET 5 OF 9	SHEET SIZE: B

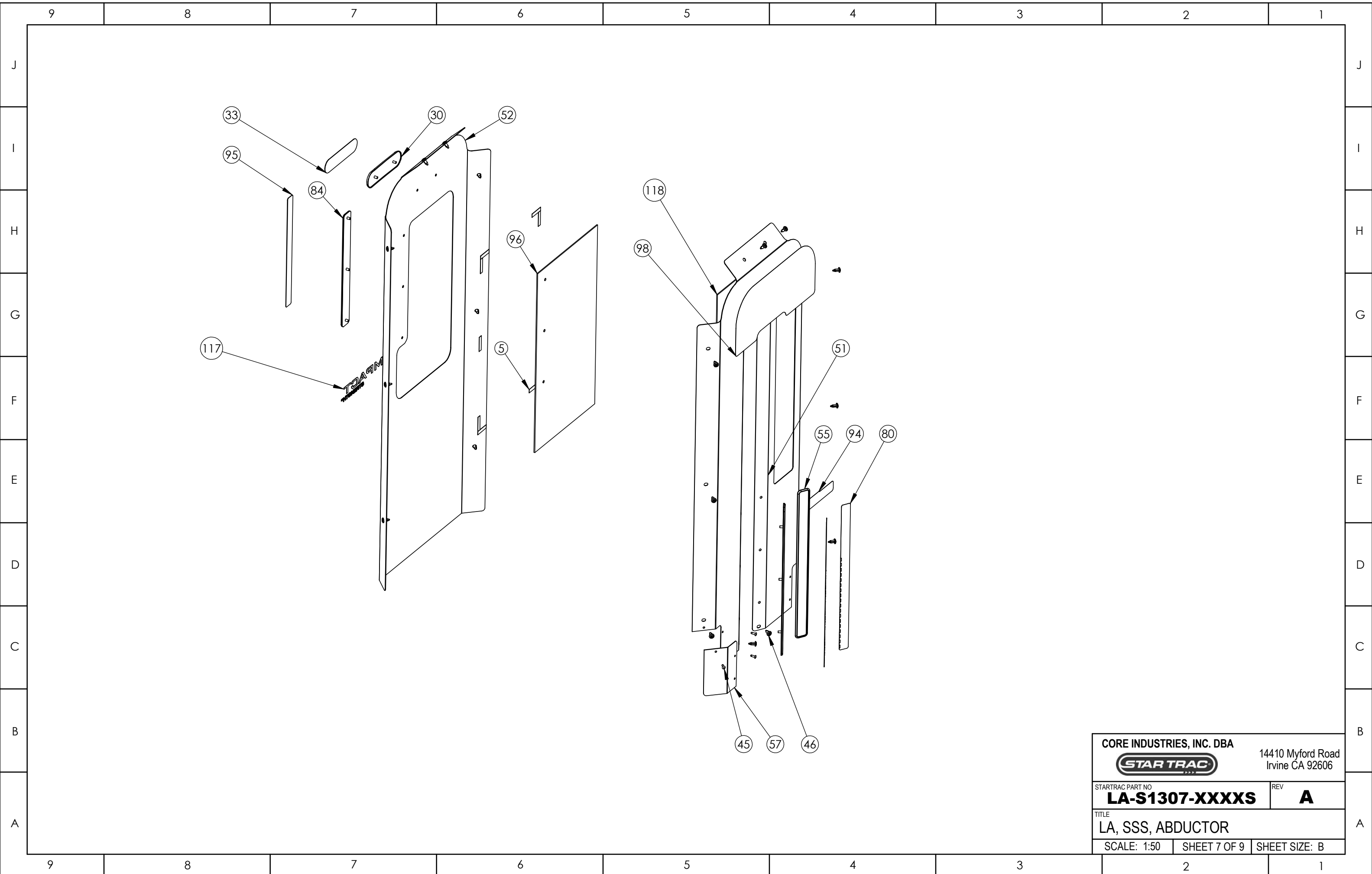


CORE INDUSTRIES, INC. DBA  
**STAR TRAC**  
 14410 Myford Road  
 Irvine CA 92606

STARTRAC PART NO  
**LA-S1307-XXXXS**  
 TITLE  
**LA, SSS, ABDUCTOR**

REV  
**A**

SCALE: 1:50 | SHEET 6 OF 9 | SHEET SIZE: B

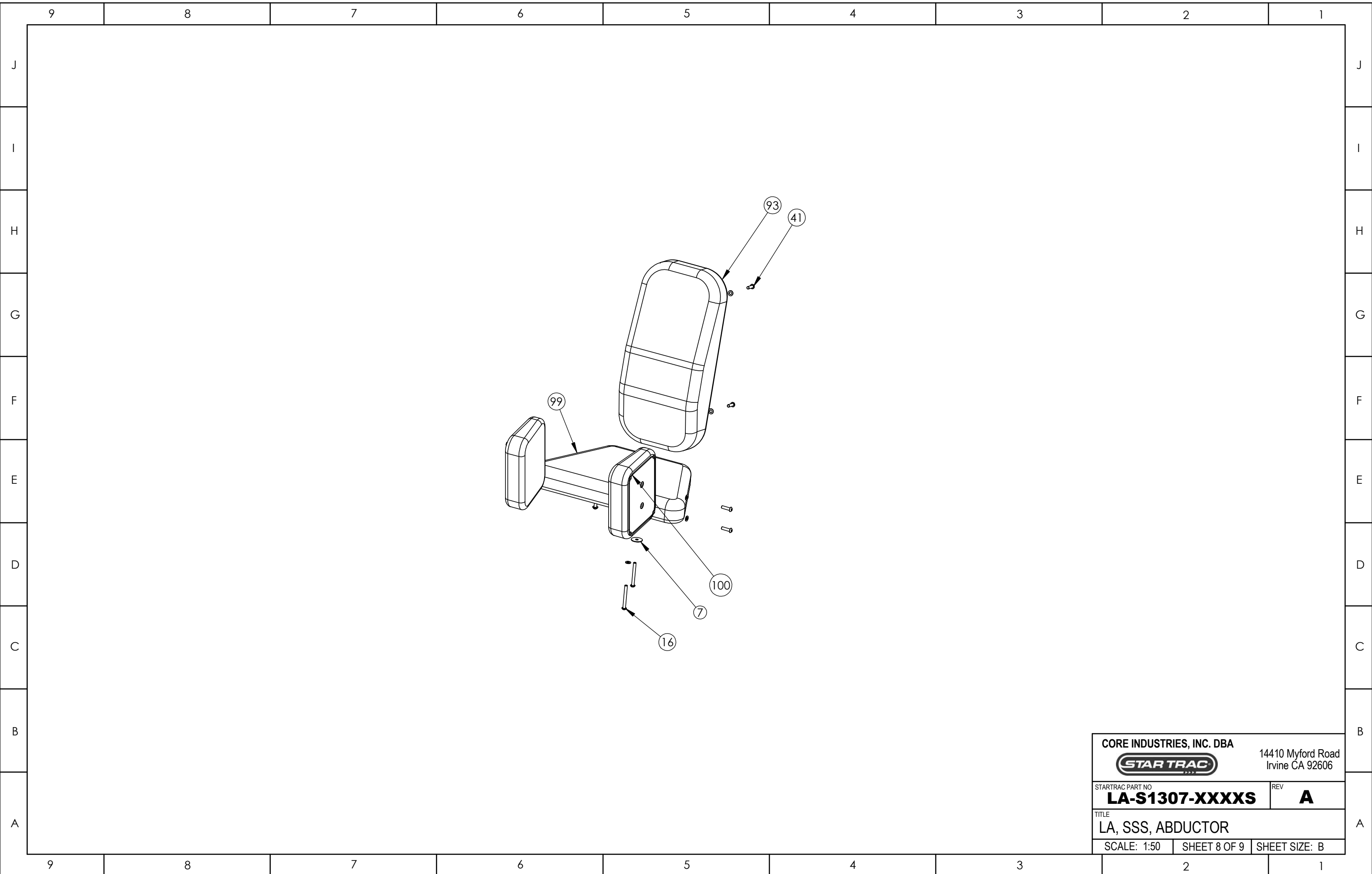



CORE INDUSTRIES, INC. DBA  
**STAR TRAC**  
 14410 Myford Road  
 Irvine CA 92606

STARTRAC PART NO  
**LA-S1307-XXXXS**  
 TITLE  
**LA, SSS, ABDUCTOR**

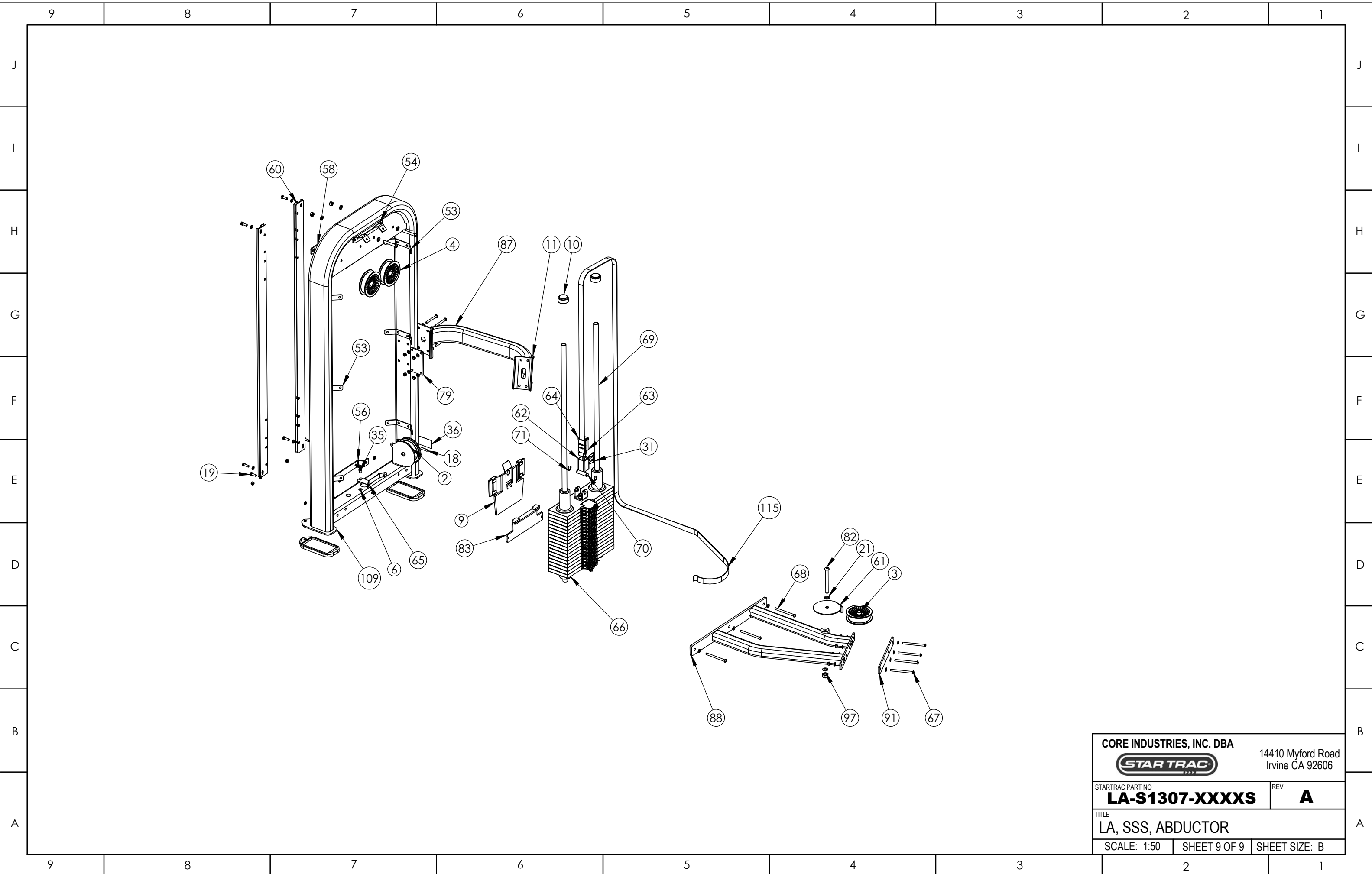
REV  
**A**

SCALE: 1:50 SHEET 7 OF 9 SHEET SIZE: B



CORE INDUSTRIES, INC. DBA 		14410 Myford Road Irvine CA 92606
STARTRAC PART NO <b>LA-S1307-XXXXS</b>	REV <b>A</b>	
TITLE <b>LA, SSS, ABDUCTOR</b>		
SCALE: 1:50	SHEET 8 OF 9	SHEET SIZE: B





CORE INDUSTRIES, INC. DBA		14410 Myford Road Irvine CA 92606	
<b>STAR TRAC</b>			
STARTRAC PART NO	<b>LA-S1307-XXXXS</b>	REV	<b>A</b>
TITLE <b>LA, SSS, ABDUCTOR</b>			
SCALE: 1:50	SHEET 9 OF 9	SHEET SIZE: B	