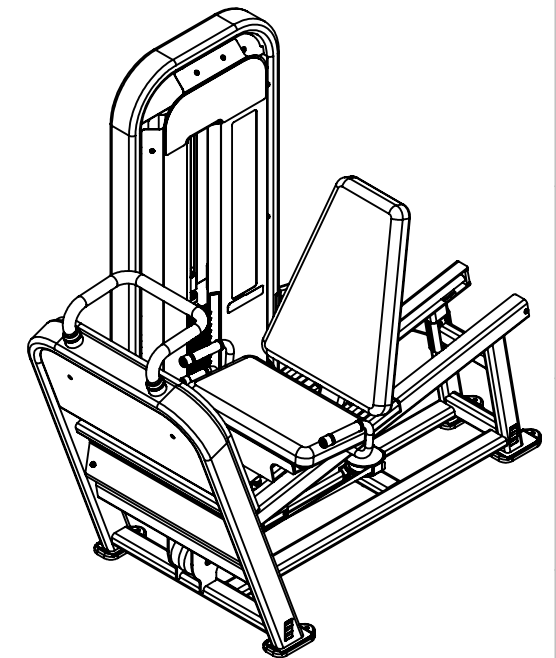
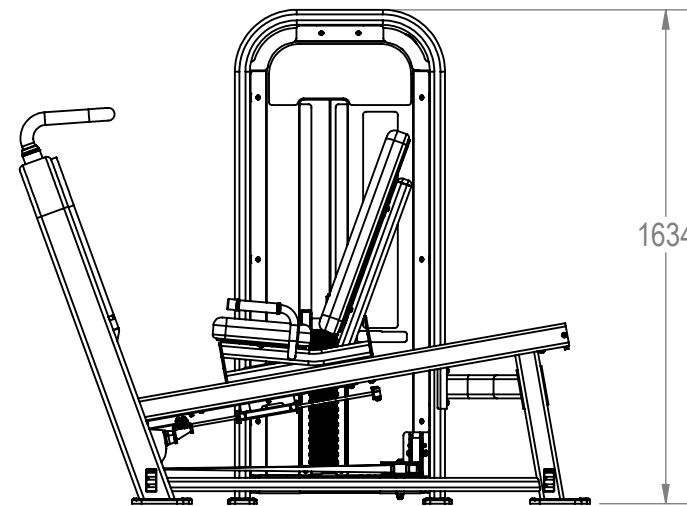
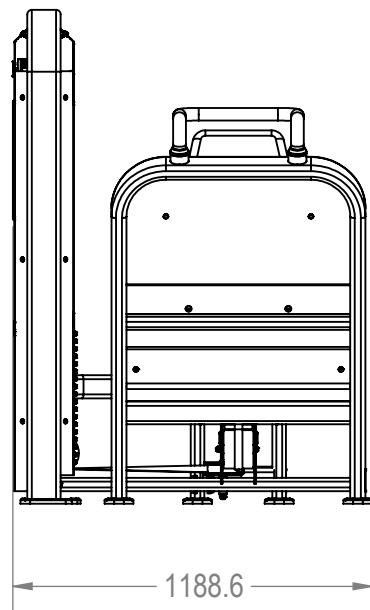
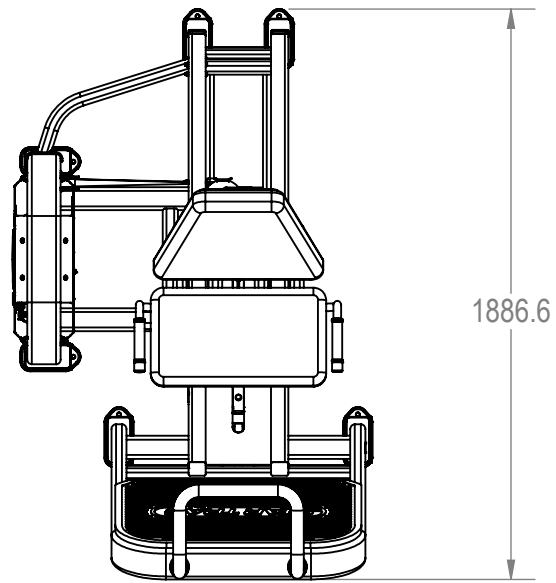


REVISION HISTORY				
REV	DATE	DESCRIPTION	ECO	BY
A	12/1/2012	RELEASED FOR PRODUCTION AT LAND AMERICA	----	LA
B	5/2/2012	MAKE DRAWING	13673	CLK



NOTICE OF PROPRIETARY INFORMATION
 THIS DOCUMENT SHALL NOT BE REPRODUCED NOR SHALL THE INFORMATION CONTAINED HEREIN BE USED BY OR DISCLOSED TO OTHER EXCEPT AS EXPRESSLY AUTHORIZED BY CORE INDUSTRIES, INC., D.B.A. STAR TRAC.

DOCUMENT STATUS:

NOTES:

CLASS OF WORK	UNLESS OTHERWISE SPECIFIED DIMS ARE IN mm. TOLERANCES FOR MEASURE OF LENGTH ARE:							ANGLES = ±2°
	0.5 to 3	>3 to 6	>6 to 30	>30 to 120	>120 to 400	>400 to 1000	>1000 to 2000	
FINE	±0.05	±0.05	±0.1	±0.15	±0.2	±0.3	±0.5	----
MEDIUM X	±0.1	±0.1	±0.2	±0.3	±0.5	±0.8	±1.2	±2
COARSE	±0.2	±0.3	±0.5	±0.8	±1.2	±2	±3	±4
VERY COARSE	----	±0.5	±1	±1.5	±2.5	±4	±6	±8

MATERIAL
SEE BOM

FINISH
N/A

VENDOR: N/A

P/N: N/A

THIRD ANGLE PROJECTION

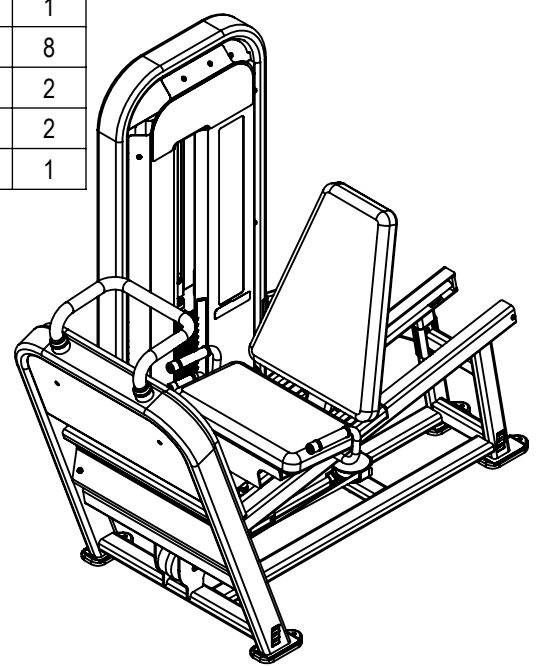


DRAWN	INITIAL CLK	DATE 4/24/2012
CHECKED		
APPROVED		
	U.O.M.	MM

CORE INDUSTRIES, INC. DBA
 14410 Myford Road
 Irvine CA 92606

STARTRAC PART NO	REV
LA-S1305-XXXXS	B
TITLE SEATED LEG PRESS	
SCALE: 1:25	SHEET 1 OF 6 SHEET SIZE: B

	9	8	7		6	5		4	3	2	1		
	ITEM NO.	PART NUMBER	DESCRIPTION	QTY.	ITEM NO.	PART NUMBER	DESCRIPTION	QTY.	ITEM NO.	PART NUMBER	DESCRIPTION	QTY.	
J	1	4900-0044	Pulley, Belt, 5.0d x 3/8b x 3.88w	1	46	731-2424	STOP,BOLT-ON	2	91	731-3541	CLIP,BELT CLAMP PIN	2	J
	2	4900-0440	PULLEY,BELT,4.75D,3/8B,1.5W,MOLDED	1	47	731-2426	BUSHING,ROM,LEG PRESS	2	92	731-3545	END CAP,19MM TUBE	1	
	3	4900-0441	PULLEY,BELT,4.75D,1/2B,1.5W,MOLDED	1	48	731-2434	BEARING, ROLLER 25MM, OPEN	4	93	731-3546	TRIM RING,19MM TUBE	1	
	4	4900-0620	PULLEY,BELT,4.75D,3/8B,1.74W,MOLDED	2	49	731-2498	PIN,SPRING,M3 X 8mm	4	94	731-3547	GRIP,1301,19MM	1	
I	5	4900-0626	TAPE, 3M VHB 5925	1200	50	731-2500	STAND-OFF,ROD,SMITH	6	95	731-3557	BOLT PLATE,FLAT,52X105 HS	1	I
	6	731-0040	STOP,Ø50X26,RUBBER	1	51	731-2647	FOOT,LONG,LEVERAGE	6	96	731-3559	SCREW,M10 X 1.5,65MM,BHC,HK	1	
	7	731-0113	ASSY,2.5Kg,ADD ON	1	52	731-3112	SHROUD,OUTSIDE,TALL,IMP	1	97	731-3779	SCREW, M12 X 1.75, 125mm, BHC, HK	1	
	8	731-0119	NUT,M12X1.75, NYLOC	1	53	731-3113	BRKT,SHROUD,IMP	6	98	731-3796	ASSY,STOP,MOUNT,ADD ON,IMP	1	
	9	731-0124	CAP,GUIDE ROD,RUBBER	2	54	731-3114	BRKT, SHROUD, UPPER,IMP	2	99	731-3833	TUBE,BELT GUIDE	1	
H	10	731-0136	SPLIT PIN,3.2X20	1	55	731-3115	HOUSING,PLASTIC,WGT STACK,IMP	2	100	731-3834	SCREW,M6X1.0,55MM,BHC,HK	1	H
	11	731-0177	WELD, GRAB HANDLE	1	56	731-3116	BRKT,MOUNT,LOWER,INCR CHNL,IMP	1	101	731-3874	HOUSING,WGT FRAME,NAME,SHORT	1	
	12	731-0209	CAP, END, 110 X 50	1	57	731-3122	Brkt,mount,upper,increm. channel,IMP	1	102	731-3987	GUIDE RODE,Ø22MM X 1363MM	2	
	13	731-0223	GRIP, GRAB HANDLE, SLP	1	58	731-3320	BRONZE BUSHING,32X20	2	103	731-3990	BUSHING,FOOT PLATE UPPER	2	
	14	731-0235	SCREW,M8 X 1.25,75mm,BHC,HK	4	59	731-3329	MAIN FRAME, S1305	1	104	731-3993	BELT. 1305	1	
G	15	731-0327	SCREW,M10 X 1.5,40MM,BHC,ZP	7	60	731-3344	SEAT SLED ASSY, 1305	1	105	731-3994	SCREW,M8 X 1.25,35mm,FHM,HK,CS	2	G
	16	731-0354	SCREW,M8 X 1.25,25MM,HHM,HE	6	61	731-3357	LINEAR SLIDER ASSY,1305	1	106	731-3996	SCREW,M6 X1.0,35MM,BHC,HK	4	
	17	731-0355	WASHER,PLAIN,M8,NARROW	50	62	731-3362	UPPER WF CONN. ASSY, 1305	1	107	731-3997-00XX	ASSY,UPHOLSTERY,325 x 580	1	
	18	731-0357	WASHER,PLAIN,M12	2	63	731-3365	LOWER WF CONNECTOR,1305	1	108	731-3998-00XX	ASSY,UPHOLSTERY,580 x 705	1	
	19	731-0359	SCREW,M8 X 1.25,25mm,BHC,HK	3	64	731-3369	ROM BAR ASSY, 1305	1	109	731-4780	STICKER,LOCK N LOAD,IMPACT	1	
F	20	731-0360	WASHER,PLAIN,M8,LARGE,GRADE A	2	65	731-3373	ROM ADJUST HANDLE ASSY, 1305	1	110	731-4874	STICKER, IMP, ROM,LEG PRESS	1	F
	21	731-0363	NUT,M10X1.5, NYLOC	8	66	731-3376	BELT CLAMP PLATE,WIDE,THRU HOLES	1	111	731-4881	WINDOW,IMP,MEDIUM	1	
	22	731-0365	NUT,M8 X 1.25,NYLOC JAM	21	67	731-3377	BELT CLAMP PLT,WIDE,6MM	1	112	731-4947	PLACARD,IMPACT,SLP	1	
	23	731-0367	WASHER,PLAIN,M10	20	68	731-3380	TOP CAP,PULL PIN	1	113	731-5161	STICKER, IMPACT STRENGTH	1	
	24	731-0371	SCREW,M10 X 1.5,70MM,BHC,HK	2	69	731-3381	PLATE, FLOOR GUARD	1	114	731-5177	SCREW,M6 X1.0, 20mm, BHS,HK,NP	8	
E	25	731-0373	WASHER,PLAIN,M6	20	70	731-3383	PULLEY BOSS,105MM	1	115	731-5178	PLATE,END,STOP,BAR,SLP	2	E
	26	731-0381	HOUSING,LOGO,STARTRAC	1	71	731-3384	PULL PIN LINK	2	116	731-5181	HANDLE BASE, IMPACT,42MM	2	
	27	731-0382	ROLL PIN,M6 X 20mm	1	72	731-3387	BELT GUIDE,63MM	2	117	731-5218	WINDOW,INSIDE,IMP,MEDIUM	1	
	28	731-0397	SCREW,M8 X 1.25,25mm,FHM,HK	3	73	731-3388	Linear Shaft, 25mm x 1295	2					
D	29	731-0398	SCREW,M8 X 1.25,70mm,BHC,HK	4	74	731-3390	ASSY,WGT STK,180 kg	1					D
	30	731-0404	PIN, CLEVIS ,M8, 19mm	1	75	731-3391	BELT CLAMP BODY	1					
	31	731-0513	STICKER,STAR TRAC,DECO,45MMX191MM	1	76	731-3392	PLATE,THREADED,BELT CLAMP	1					
	32	731-0517	STICKER, WARNING, BOLT DOWN	2	77	731-3393	BELT CLAMP PLATE	2					
C	33	731-0532	SCREW,M8 X 1.25,12MM,HHM,HE	2	78	731-3396	SHROUD CENTER SUPPORT	1					C
	34	731-0570	SCREW,M8 X1.25,16mm,SHC,HK	3	79	731-3397	WEIGHT FRAME,1305	1					
	35	731-0796-XX	WELD,PLATE,FOOT SUPPORT	1	80	731-3400	SHROUD,INNER,1305	1					
	36	731-0797	PAD, FOOT SUPPORT, LEG PRESS	1	81	731-3402	PULL PIN ASSY,12X82	1					
	37	731-1363	NUT, M6X1.0, NYLOC	13	82	731-3405	ROM ADJUST ARM, S1305	1					
B	38	731-1563	SCREW, M10 X 1.5, 120MM, BHS, HE, SS	1	83	731-3406	GRIP, 1305	2					B
	39	731-1777	SCREW,M8 X 1.25,30mm,BHC,HK	8	84	731-3408	STICKER,NAME,LEG PRESS	1					
	40	731-1904	END CAP	2	85	731-3409	STICKER,LNL,1305	1					
	41	731-1917	TRIM RING,GRIP	4	86	731-3410	WELD,ADD ON,LONG	2					
	42	731-1932	RIVET,5MM	12	87	731-3521	SCREW,M8 X 1.25,105mm,BHC,HK,NP	4					
	43	731-1933	RIVET, PUSH TYPE	18	88	731-3522	SCREW,M8 X 1.25,110mm,BHC,HK,NP	3					
A	44	731-2073	CAP,TUBE,44.5 X 76.2	1	89	731-3526	CLAMSHELL,44.5X 110 HS NO BREATHER	1					A
	45	731-2423	STOP,PAD,RUBBER	2	90	731-3540	PIN,BELT CLAMP	1					

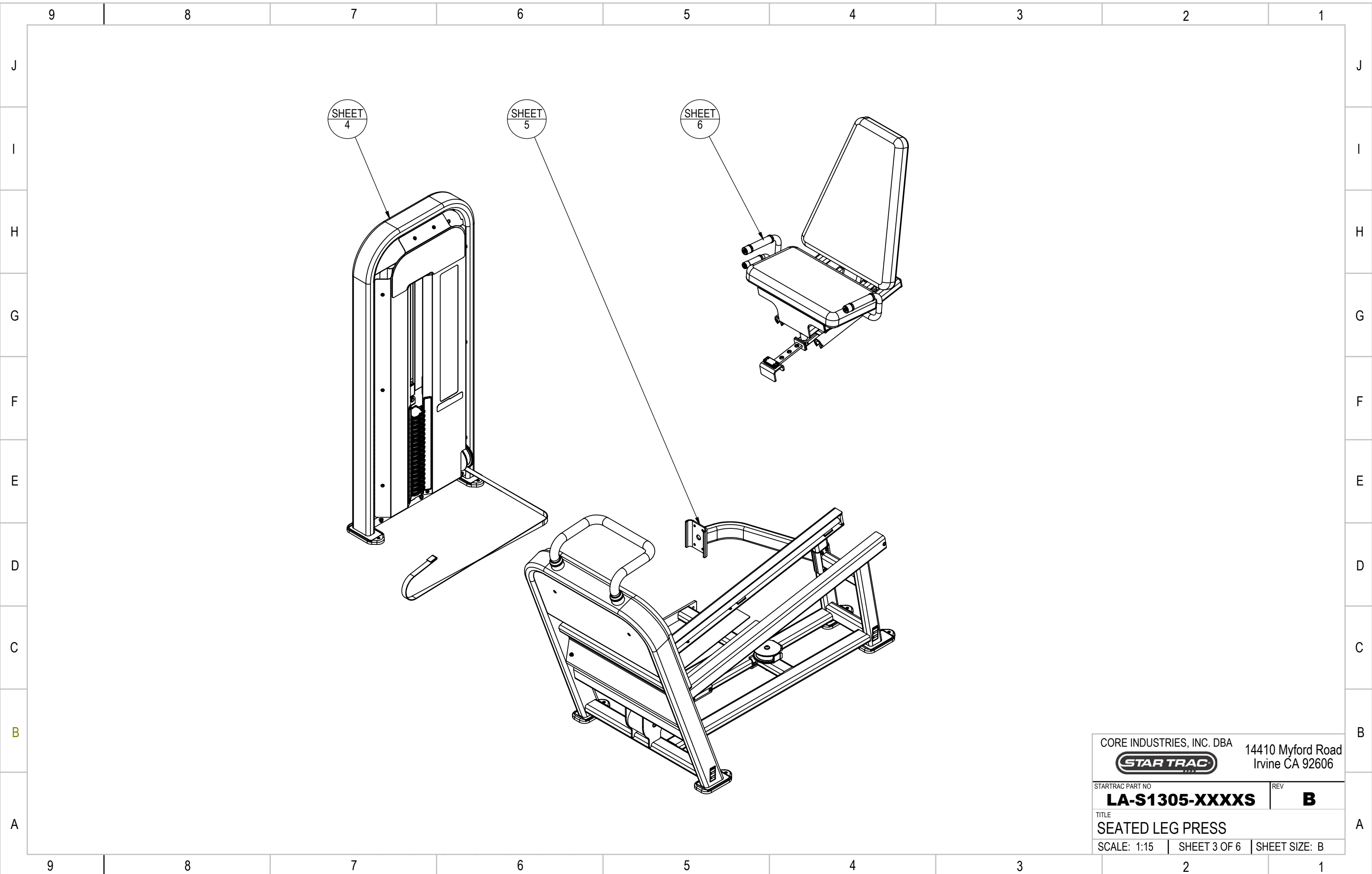


CORE INDUSTRIES, INC. DBA **STARTRAC** 14410 Myford Road
Irvine CA 92606

STARTRAC PART NO. **LA-S1305-XXXXS** REV **B**

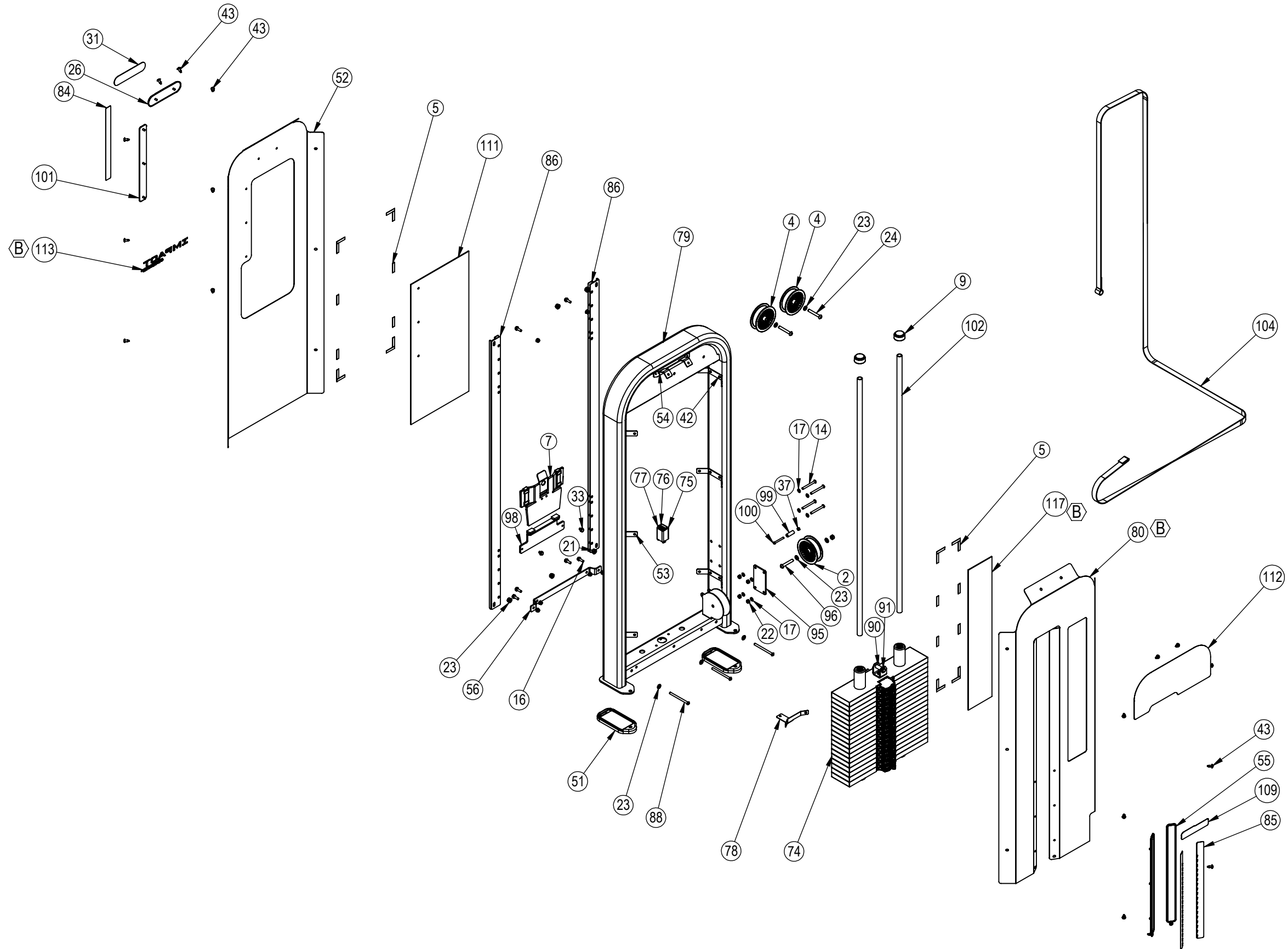
TITLE **SEATED LEG PRESS**

SCALE: 1:25 | SHEET 2 OF 6 | SHEET SIZE: B

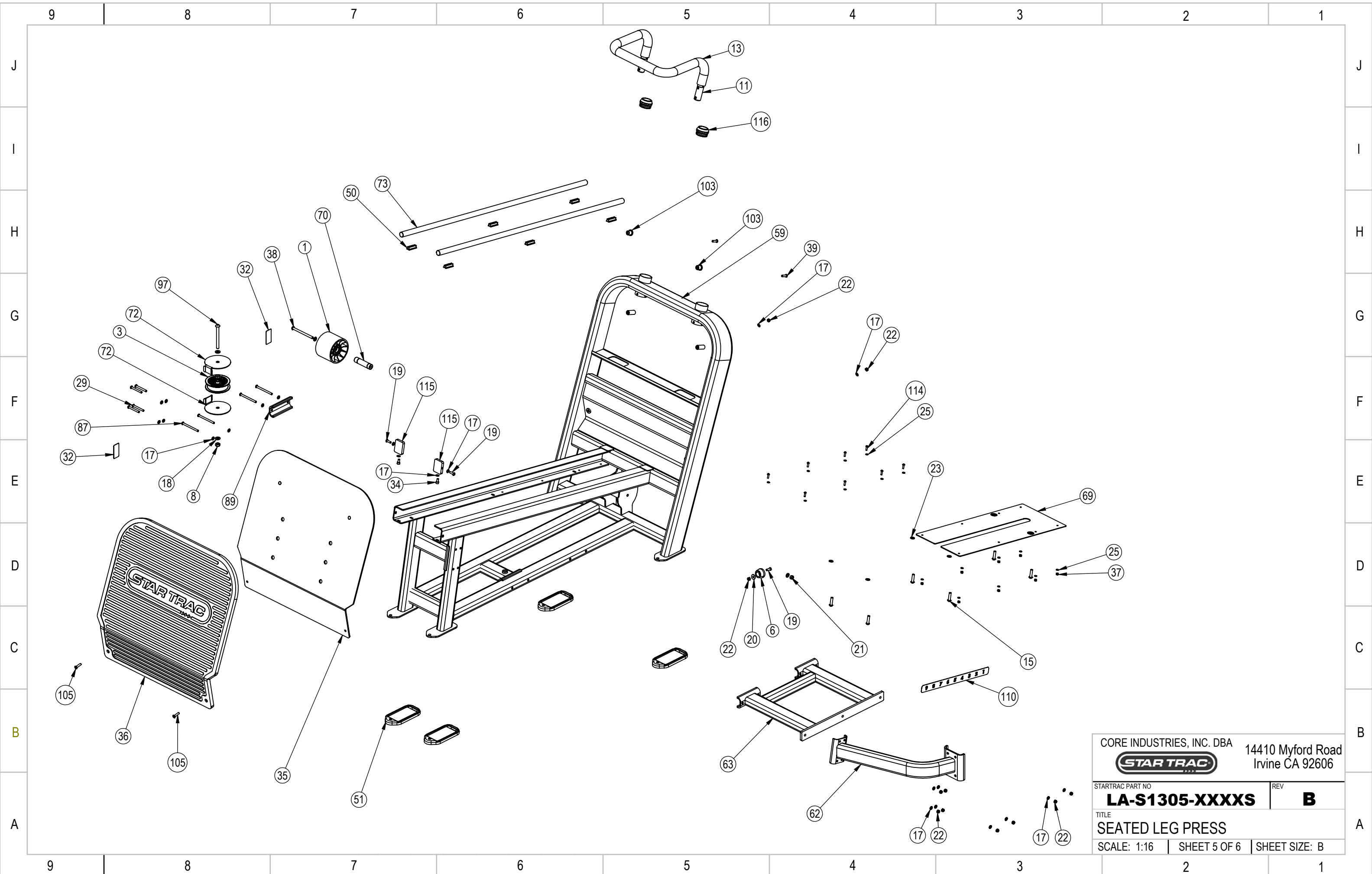


CORE INDUSTRIES, INC. DBA **STAR TRAC** 14410 Myford Road
Irvine CA 92606

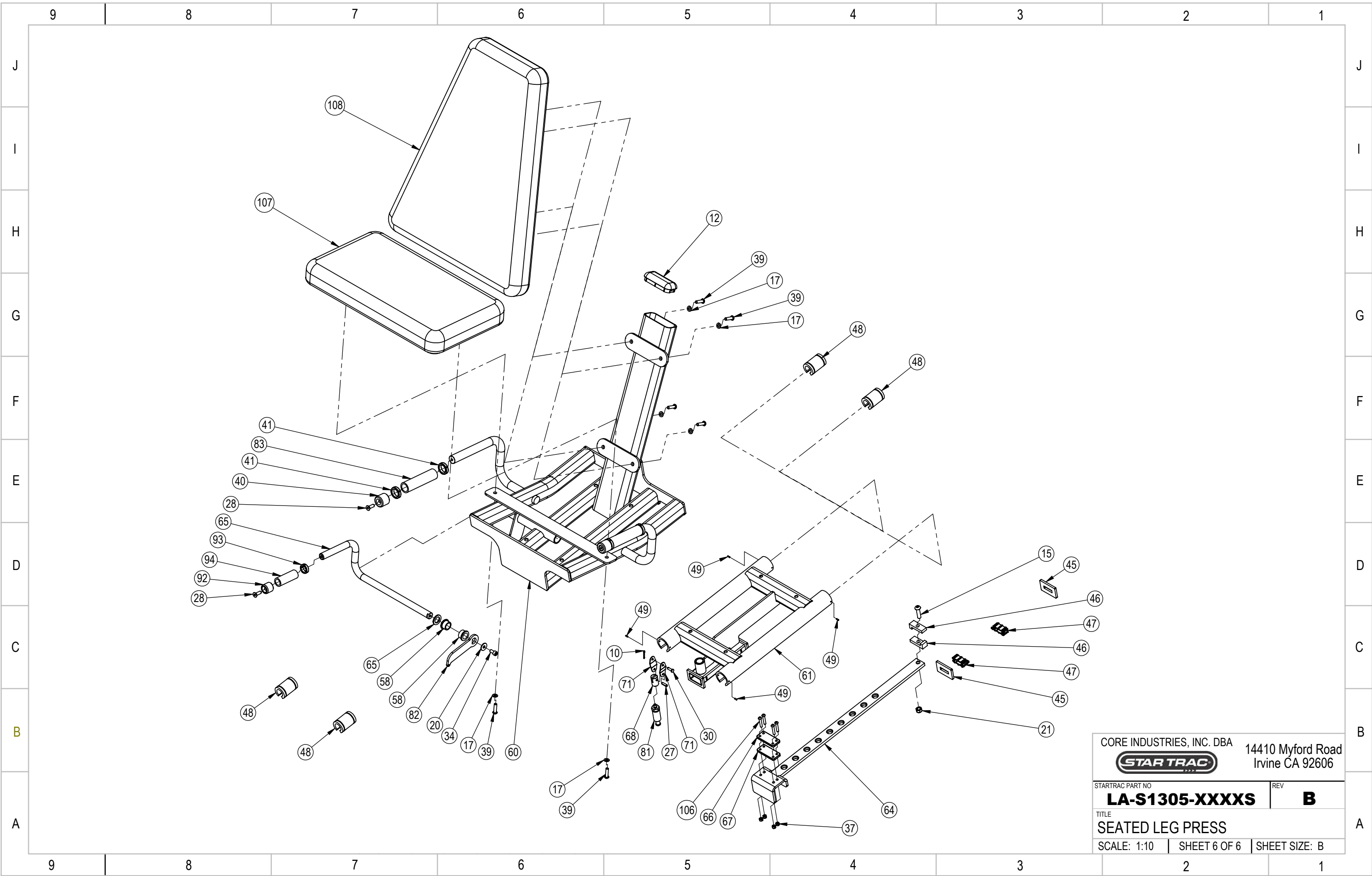
STARTRAC PART NO	REV
LA-S1305-XXXXS	B
TITLE	
SEATED LEG PRESS	
SCALE: 1:15	SHEET 3 OF 6 SHEET SIZE: B



CORE INDUSTRIES, INC. DBA		14410 Myford Road Irvine CA 92606	
STARTRAC			
STARTRAC PART NO	LA-S1305-XXXXS		REV B
TITLE SEATED LEG PRESS			
SCALE: 1:18	SHEET 4 OF 6	SHEET SIZE: B	



CORE INDUSTRIES, INC. DBA		14410 Myford Road Irvine CA 92606	
STAR TRAC			
STARTRAC PART NO	LA-S1305-XXXXS		REV B
TITLE	SEATED LEG PRESS		
SCALE: 1:16	SHEET 5 OF 6	SHEET SIZE: B	



CORE INDUSTRIES, INC. DBA **STARTRAC** 14410 Myford Road
Irvine CA 92606

STARTRAC PART NO	REV
LA-S1305-XXXXS	B
TITLE SEATED LEG PRESS	
SCALE: 1:10	SHEET 6 OF 6 SHEET SIZE: B