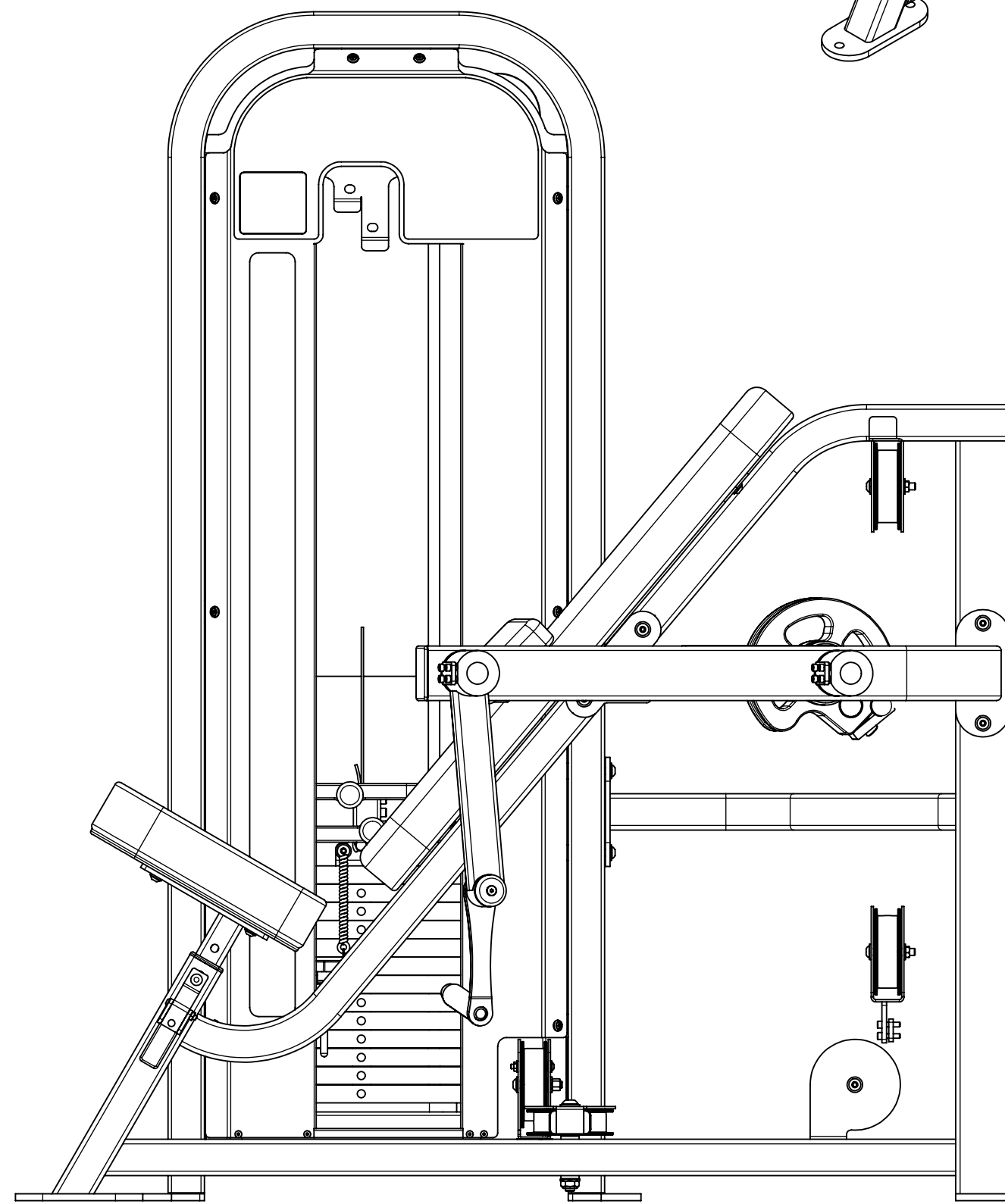
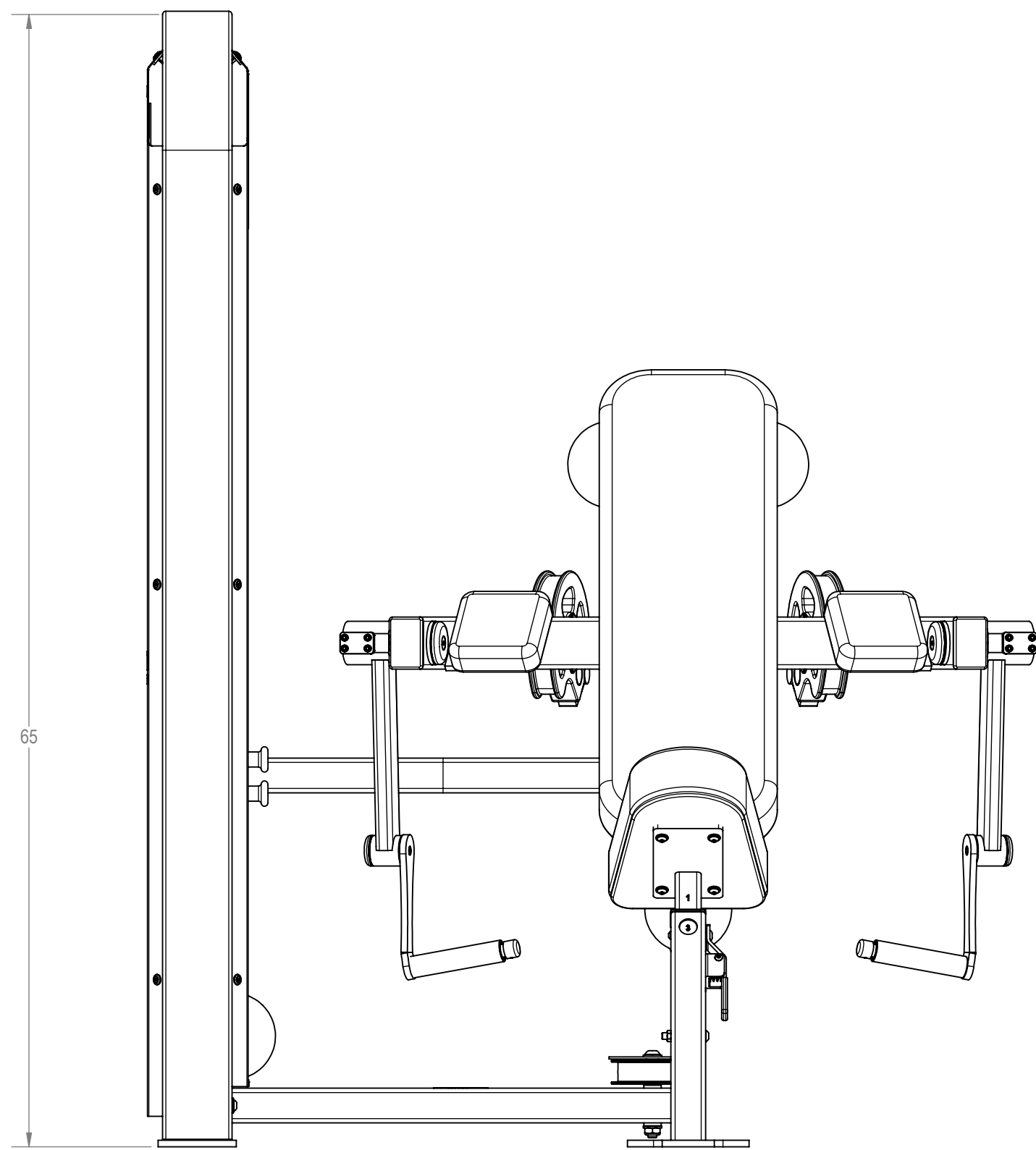
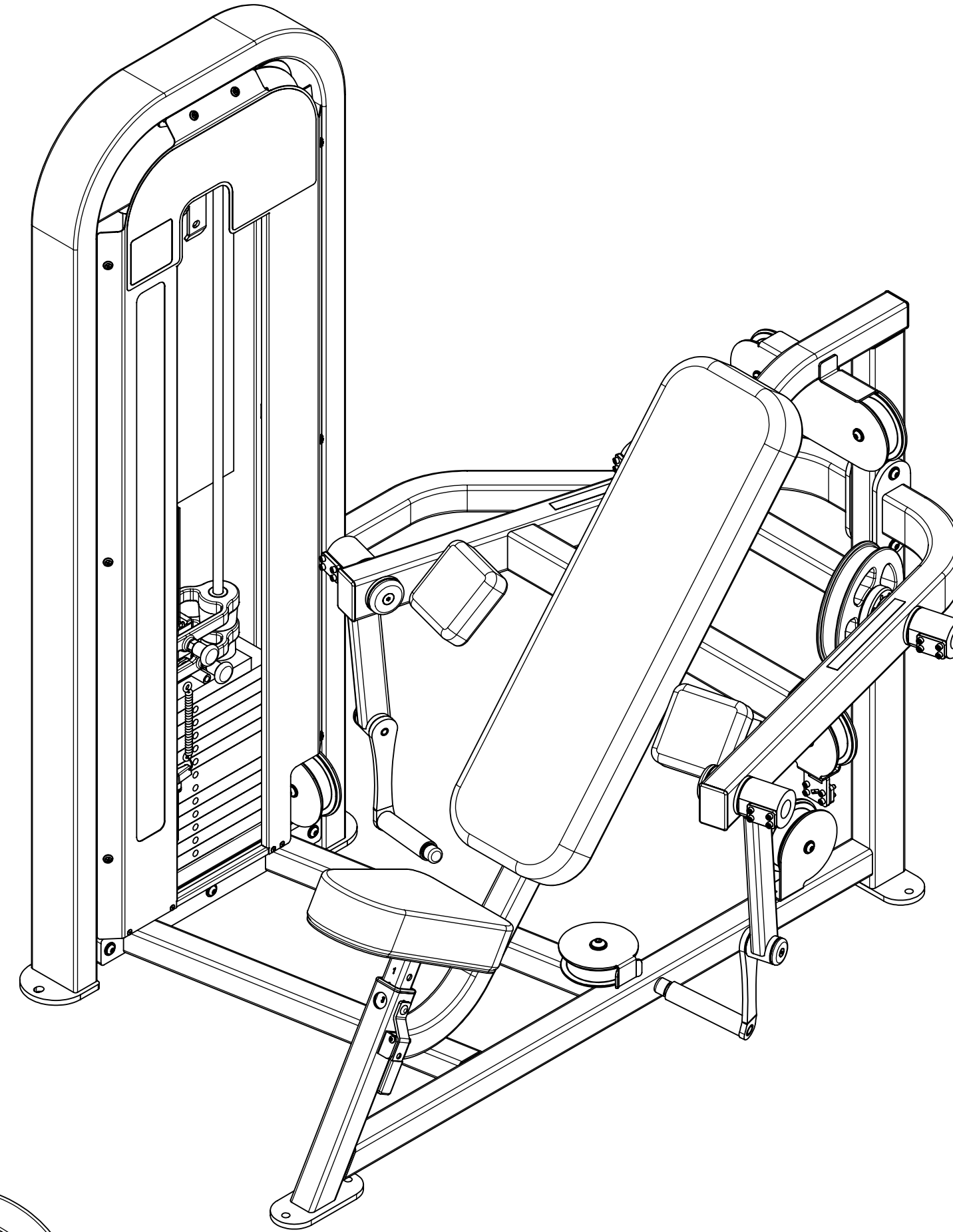
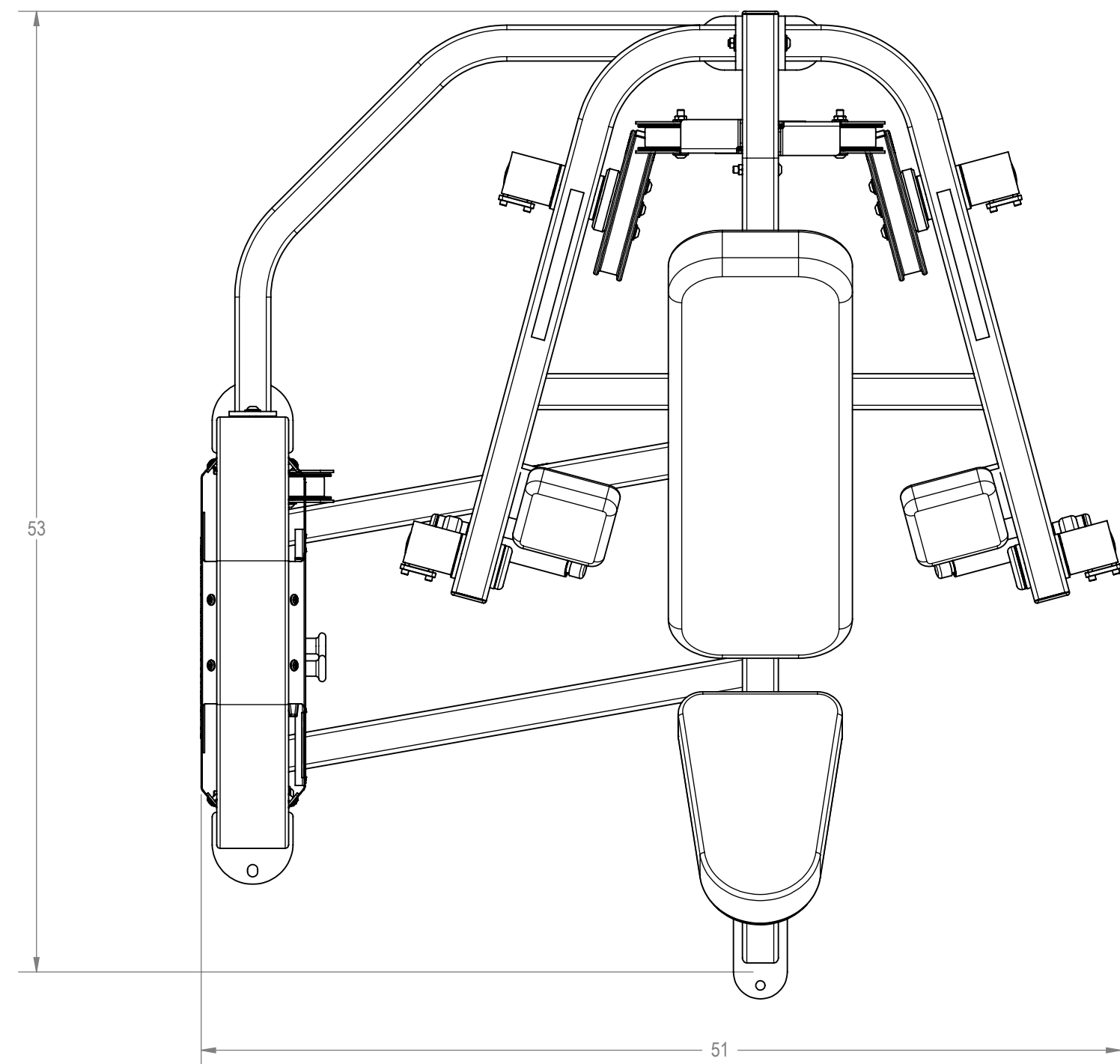


REVISION HISTORY				
REV	DATE	DESCRIPTION	ECO	BY
A		PRODUCTION RELEASE	100587	SJS

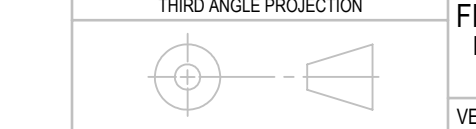


ITEM NO.	PART NUMBER	DESCRIPTION	QTY.
1	3211-0202	ASSY. WELD. FRAME, SEATED CURL	1
2	4210-0100	ASSY. WELD. SEAT	1
3	3211-0165	ASSY. WELD. UPPER ARM, RT. S5305	1
4	3211-0166	ASSY. WELD. UPPER ARM, LT. S5305	1
5	3211-0164	ASSY. WELD. LOWER ARM	2
6	3211-0201	ASSY. WELD. DISC. ARM S5305	1
7	3211-0232	ASSY. WELD. D. ARM S5305	1
8	3211-0203	ASSY. WELD. CAM SHAFT	2
9	3311-0298	ASSY. MECH. WT. FRAME, S5305 PR	1
10	4900-PNTX	POWDER COAT, TBD	1.75 LBS.
11	3500-0025	ASSY. UPHOLSTERY, 13 7/8 X 8 7/8, FC-202-C	1
12	3500-0066	SEAT BACK	1
13	3500-0126	SSY. UPH. ARM PAD, S5305	2
14	4900-UPHX	UPHOLSTERY, TBD	1.25 LIN. YDS.
15	2120-0154	PLATE, BELT CLAMP, 1/4, BC-002	4
16	2120-0902	PLATE, BELT CLAMP, 1/4, BC-003	1
17	2120-3826	CAP. BEARING, 2 1/2 RND ALUM	2
18	2120-3887	CAP. BEARING, 1 3/4 RND ALUM	2
19	2120-3994	TUBE, MACH, 2.5 OD X 1 ID X 2.53L	2
20	2120-3995	SHAFT, ARM, UPPER	2
21	2130-0066	COVER, PULLEY, 5"	1
22	2164-0120	STOP PLATE	2
23	2210-0009	BUSHING, SEAT POST	1
24	3211-0235	ASSY. WELD. PULLEY CONNECT 90 DEG	1
25	3290-0001	ASSY. WELDMENT, HANDLE	1
26	3310-0058	ASSY. MACH. ROLLER, HANDLE, 5 1/4"	2
27	4210-0030	FHSCS, 3/8-16 X 6/5, BRIGHT, Z	2
28	4210-0031	FHSCS, 1/4-20 X 7/5, BRIGHT, Z	2
29	4220-0005	SHCS, 1/4-20 X 1.0	20
30	4220-0025	SHCS, 1/2-20 X 1.75 L, Z	2
31	4220-0030	SHCS, 3/8-16 X 1.25, Z	4
32	4230-0048	BHSCS, 5/16-18 X 1, BRIGHT, Z	12
33	4230-0051	BHSCS, 3/8-16 X 2 1/2, BRIGHT, Z	4
34	4230-0052	BHSCS, 3/8-16 X 3 1/4, BRIGHT, Z	2
35	4230-0057	BHSCS, 3/8 X 2 1/4, BRIGHT, Z	8
36	4230-0059	BHSCS, 3/8-16 X 4 1/4, BRIGHT, Z	3
37	4230-0060	BHSCS, 3/8-16 X 2 3/4, BRIGHT, Z	2
38	4230-0069	BHSCS, 1/4-20 X 1 3/4, BRIGHT, Z	1
39	4230-0076	BHSCS, 1/2-13 X 4 3/4, BRIGHT, Z	1
40	4230-0093	BHSCS, 1/4-20 X 3/4, BRIGHT, Z	1
41	4230-0102	BHSCS, 3/8-16 X 3, BRIGHT, Z	2
42	4250-0001	SSS, 10-32 X 1/8, BLK	4
43	4500-0004	NUT, NYLOC, 1/2-20	1
44	4500-0008	NUT, JAM, 1/4-20 Z	1
45	4500-0029	NUT, NYLOC, JAM, 3/8-16, Z	13
46	4600-0007	WASHER, SAE, 5/16, Z	12
47	4600-0008	WASHER, SAE, 1/2, Z	2
48	4600-0009	WASHER, SAE, 3/8-16, Z	34
49	4600-0023	WASHER, FLAT, 3/4, PLN	2
50	4600-0025	MACHINE BUSHING, 1", 18 GAGE	2
51	4800-0001	BELT, MECTROL, SPOOL	314 IN.
52	4900-0052	SPRING, O.D. 5.11, 5, CENTURY 921	1
53	4900-0066	PIN, PULL CAM, BELT	2
54	4900-0057	CAM, PIN CLAMP, CABLE	2
55	4900-0058	CLAMP, CAM, BELT	2
56	4900-0065	CAP. HANDLE, 3/4"	2
57	4900-0077	CAM, VRC, - 11	2
58	4900-0088	CAP. BLACK, 1" ROUND	4
59	4900-0108	SLEEVE, HANDLE, RED	4
60	4900-0139	BEARING, 1 ID X 2 OD, NR16-Z	8
61	4900-0440	PULLEY, BELT, 4.750, 3/8, 1.5W, MOLDED	4
62	4900-0441	PULLEY, BELT, 4.750, 1/2, 1.5W, MOLDED	1
63	4900-0545	BEARING, 5" ID X 1.375 OD, MESA 1621DC+	4
64	4900-0554	RET. RING, 1 3/8 INT., SPIRAL	4
65	4900-0588	CAP, 2.0 X 2.0, BLACK, TEXTURED	1
66	4900-0589	CAP, 2.0 X 3.0, BLACK, TEXTURED	2
67	5220-0001	LABEL, SAFETY, KEEP HANDS LARGE	2
68	5220-0005	LABEL, SAFETY, SECURE TO FLOOR	2
69	5290-0001	SERIAL NUMBER	1

- NOTES:
1. INTERPRET DRAWING PER ASME Y14.5M-1994.
 2. REMOVE ALL BURRS AND SHARP EDGES, 0.15/0.30.
 3. IF APPLICABLE, CRITICAL DIMENSIONS LABELED.
 4. ALL HARDWARE KITTED PER 3700-0627.
 5. ALL UPHOLSTERY KITTED PER 3700-0348.
 6. EST. GROSS WT. 535 LBS.

DOCUMENT STATUS:
RELEASED

NOTICE OF PROPRIETARY INFORMATION
THIS DOCUMENT SHALL NOT BE REPRODUCED NOR SHALL THE INFORMATION CONTAINED HEREIN BE USED BY OR DISCLOSED TO OTHERS EXCEPT AS EXPRESSLY AUTHORIZED BY UNISEN INC. USA & STAR TRAC.



MATERIAL
SEE BOM

FINISH
N/A

VENDOR: N/A

PIN: N/A

UNISEN, INC. DBA 14410 Myford Road
STAR TRAC Irvine CA 92606

DATE: 5/20/09
DRAWN: MLB
CHECKED: [Signature]
APPROVED: [Signature]

TITLE: UNILATERAL BICEPS CURL, PR
SCALE: 1:8
SHEET 1 OF 2 | SHEET SIZE: D

