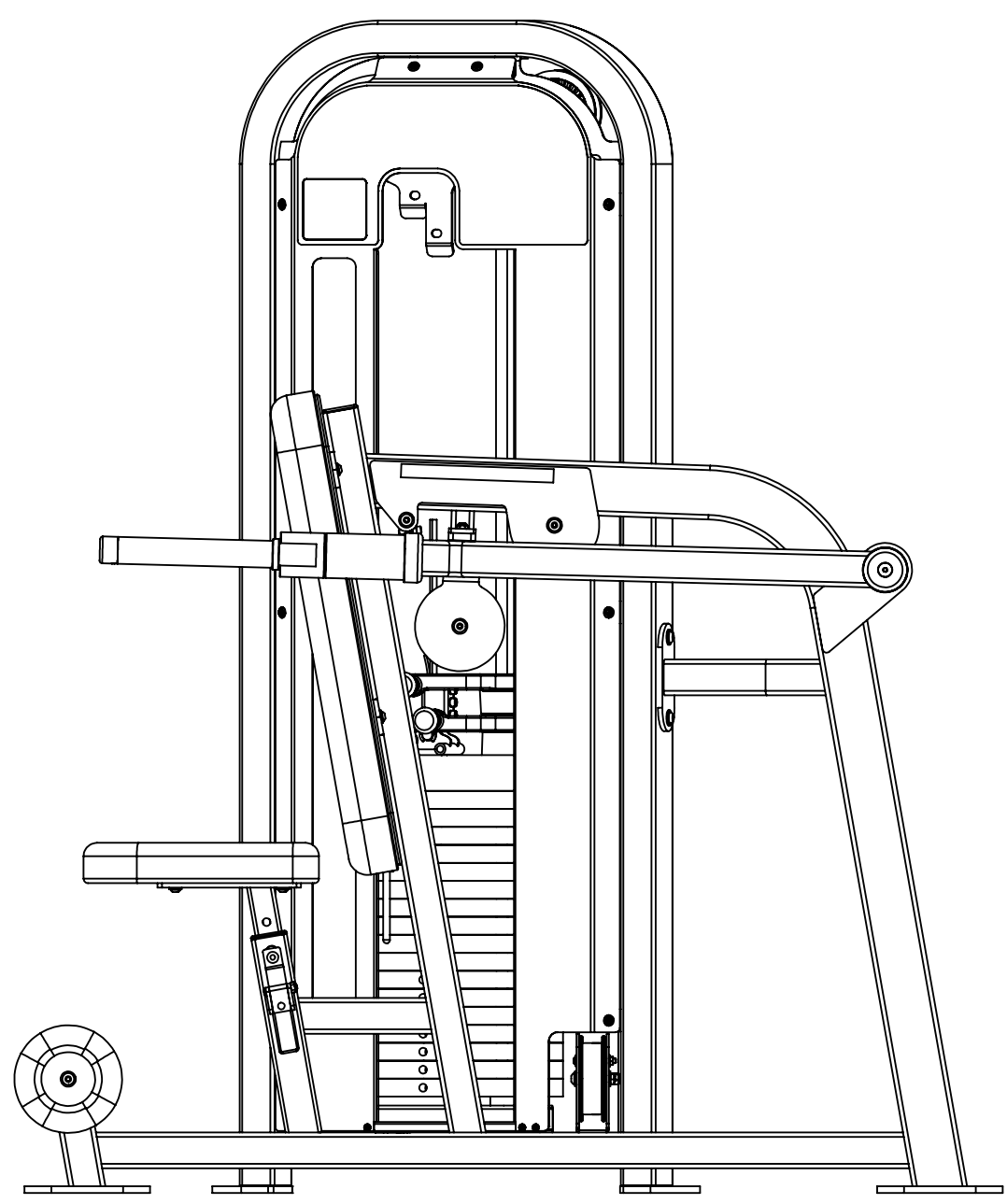
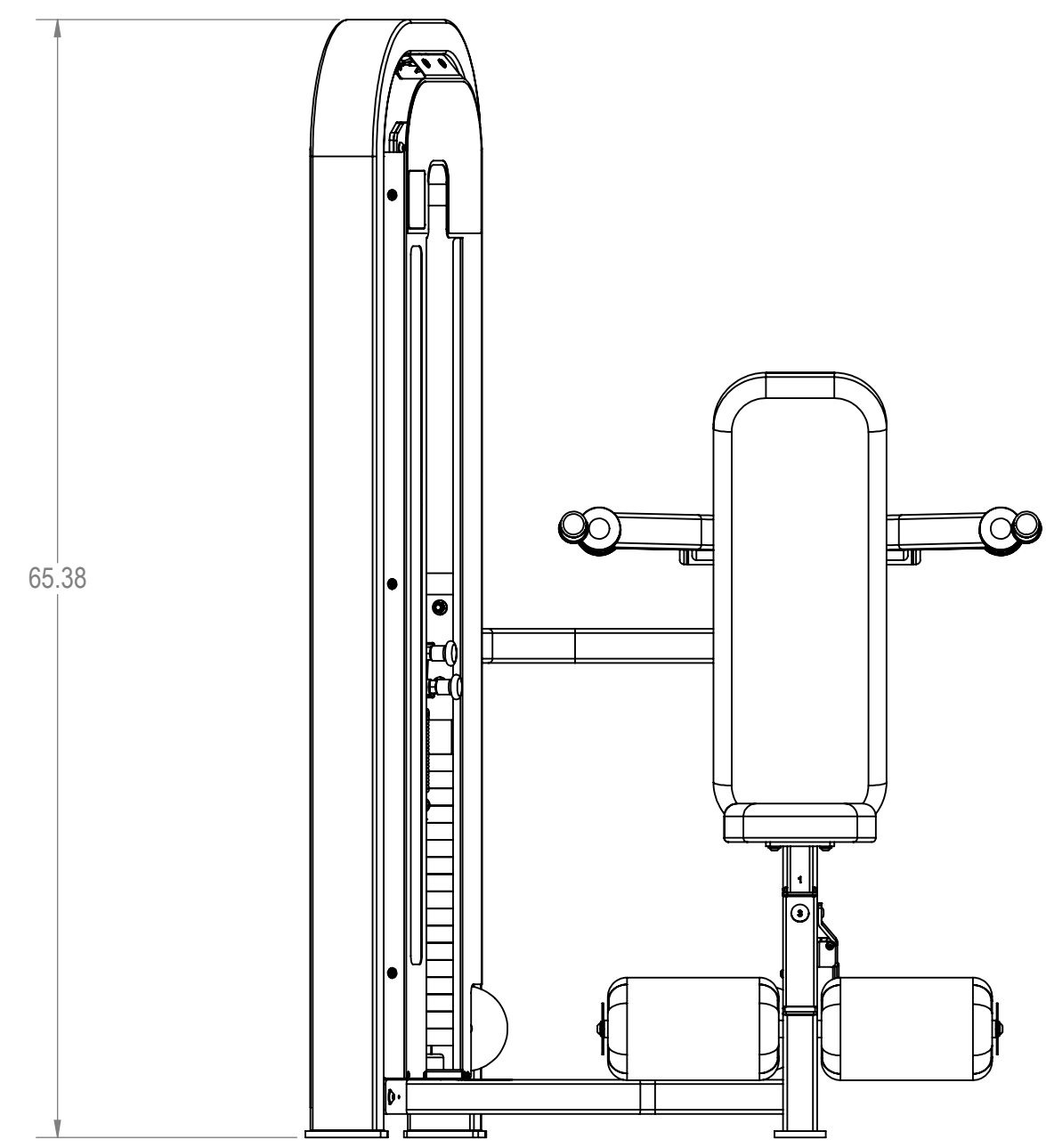
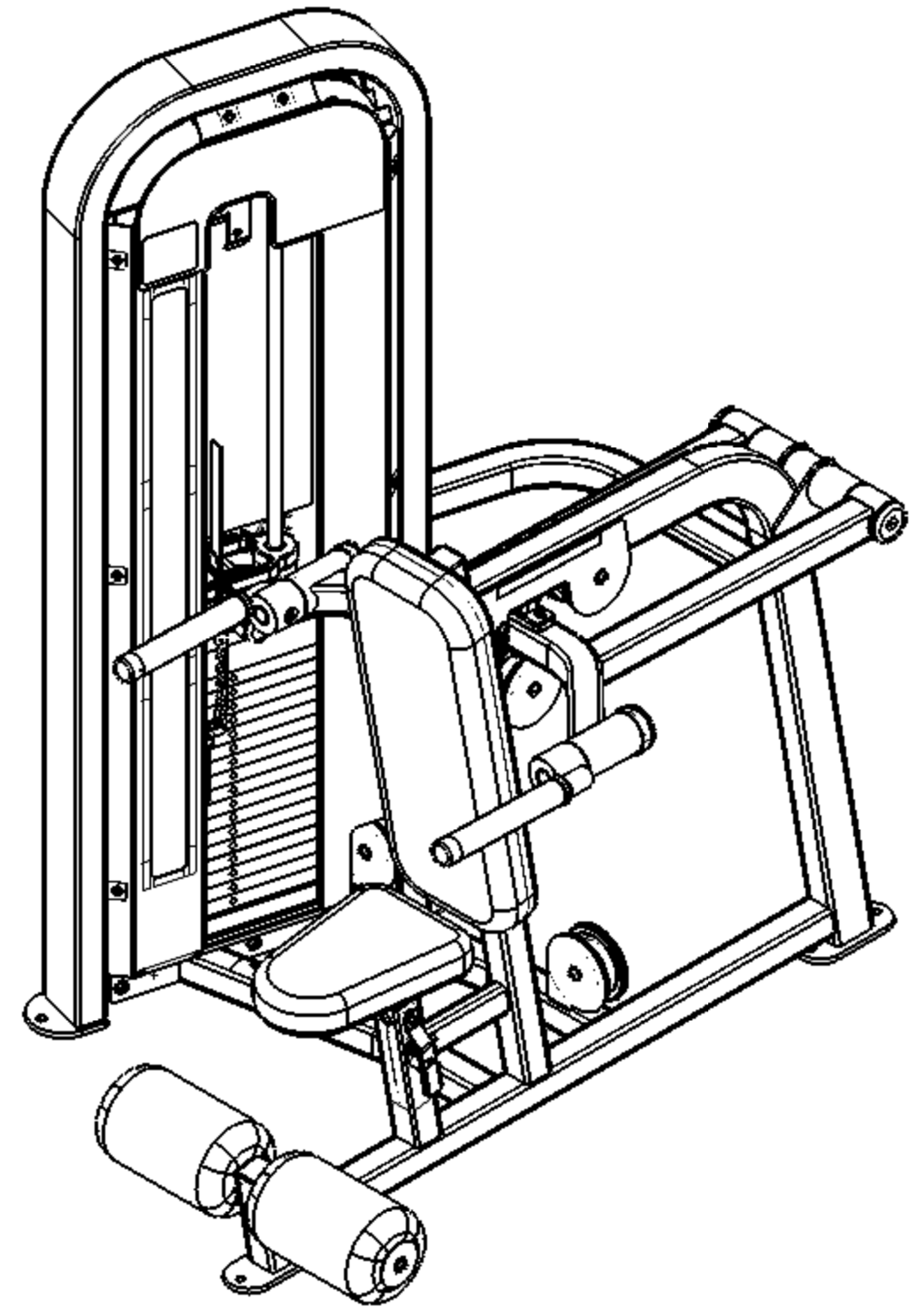
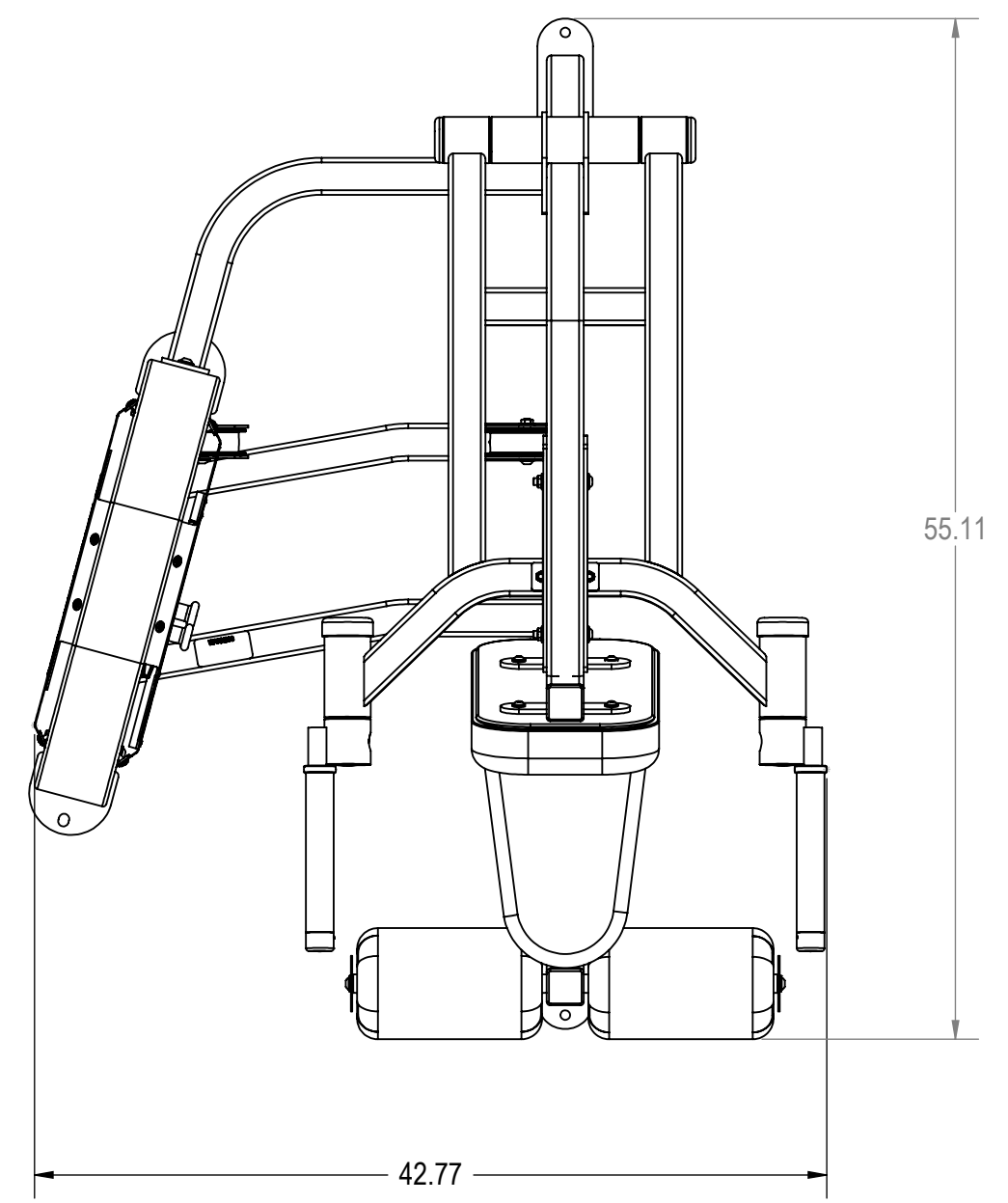


REVISION HISTORY				
REV	DATE	DESCRIPTION	ECO	BY
A	5/20/09	INITIAL PRODUCTION RELEASE		MLB

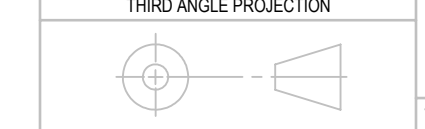


ITEM NO.	PART NUMBER	DESCRIPTION	QTY.
1	4230-0057	BHSCS, 3/8 X 2 1/4, BRIGHT, Z	2
2	4230-0060	BHSCS, 3/8-16 X 2 3/4, BRIGHT, Z	2
3	4500-0029	NUT, NYLOC, JAM, 3/8-16, Z	9
4	4600-0009	WASHER, SAE, 3/8-16, Z	20
5	4900-0440	PULLEY, BELT, 4.75D, 3/8B, 1.5W, MOLDED	2
6	3211-0207	ASSY, WELD, MAIN FRAME, S5303	1
7	3211-0205	ASSY, WELD, ARMS (S5303)	1
8	4900-0445	PULLEY, BELT, 4.75D, 3/8B, 2.0W, MOLDED	1
9	4900-0001	STOP, RED	1
10	3500-0026	ASSY, BACKREST, 27X10, FC-203-A	1
11	2120-4011	BAR, MACH, DIP HANDLE PIVOT	2
12	4900-0139	BEARING, 1 ID X 2 OD, NR16-Z	6
13	2130-0036	END PLATE, UPHOLSTERY, Ø 3"	2
14	4600-0025	MACHINE BUSHING, 1", 18 GAGE	2
15	2120-4012	BAR, MACH, ARM PIVOT	1
16	3500-0021	ASSY, UP, ROLLER PAD, 5.70DX10LG	2
17	2120-3826	CAP, BEARING 2 1/2 RND ALUM	2
18	2120-0154	PLATE, BELT CLAMP, 1/4, BC-002	1
19	3210-0350	WELDMENT ASSY, SWIVEL BRKT	1
20	4220-0005	SHCS, 1/4-20 X 1.0	4
21	2120-4013	STOP, 1.0 SHAFT	2
22	2120-4014	CAP, BEARING TUBE STOP	2
23	3211-0206	ASSY, WELD, HANDLE	2
24	4230-0077	BHSCS, 1/2-13 X 1.25, BRIGHT, Z	2
25	4900-0088	CAP, BLACK, 1" ROUND	2
26	4500-0016	NUT, NYLOC, 5/16-18, NE, Z	2
27	4230-0056	BHSCS, 3/8 X 3, BRIGHT, Z	2
28	4230-0050	BHSCS, 3/8-16 X 1, BRIGHT, Z	2
29	3290-0001	ASSY, WELDMENT, HANDLE	1
30	4900-0108	SLEEVE, HANDLE, RED	1
31	2210-0009	BUSHING, SEAT POST	1
32	4900-0052	SPRING, O.D. 5.1, 1.5, CENTURY 921	1
33	4230-0069	BHSCS, 1/4-20 X 1 3/4, BRIGHT, Z	1
34	4500-0015	NUT, JAMNYLON, 1/4-20, NTE	1
35	4230-0059	BHSCS, 3/8-16 X 4 1/4, BRIGHT, Z	3
36	3210-0114	ASSY, WELD, SEAT, 10"	1
37	4250-0001	SSS, 10-32 X 1/8, BLK	8
38	2120-3876	CAP, HANDLE, 1 1/4	2
39	2120-3877	RING, HANDLE, 1 1/4	2
40	3500-0073	PAD, SEAT, 8 7/8 X 13 1/8	1
41	5220-0005	LABEL, SAFETY, SECURE TO FLOOR	1
42	5220-0001	LABEL, SAFETY, KEEP HANDS, LARGE	2
43	4600-0007	WASHER, SAE, 5/16, Z	8
44	4230-0083	BHSCS, 5/16-18 X 1 1/4, BRIGHT, Z	8
45	4210-0029	FHCS 3/8-16 X 1.00	4
46	4800-0001	BELT, MECTROL, SPOOL	188 IN
47	4900-UPHX	UPHOLSTERY, TBD	1.25 LN YD
48	4900-PNTX	POWDER COAT TBD	2 LBS
49	1400-0001	TUBE, ROUND, 1", RUBBER, BLK	2
50	4900-0588	CAP, 2.0 X 2.0, BLACK, TEXTURED	2
51	4230-0093	BHSCS, 1/4-20 X 3/4, BRIGHT, Z	1
52	5290-0001	SERIAL NUMBER	1
53	3311-0296	ASSY, MECH, WT FRAME, S5303 PR	1

- NOTES:
1. INTERPRET DRAWING PER ASME Y14.5M-1994.
 2. IF APPLICABLE, CRITICAL DIMENSIONS LABELED.
 3. ALL HARDWARE IS KITTED PER 3700-0521.
 4. ALL UPHOLSTERY IS KITTED PER 3700-0087
 5. EST GROSS WT. 600 LBS

DOCUMENT STATUS:
DEVELOPMENT

NOTICE OF PROPRIETARY INFORMATION
THIS DOCUMENT SHALL NOT BE REPRODUCED NOR SHALL THE INFORMATION CONTAINED HEREIN BE USED BY OR DISCLOSED TO OTHERS EXCEPT AS EXPRESSLY AUTHORIZED BY UNISEN INC. USA & STAR TRAC.



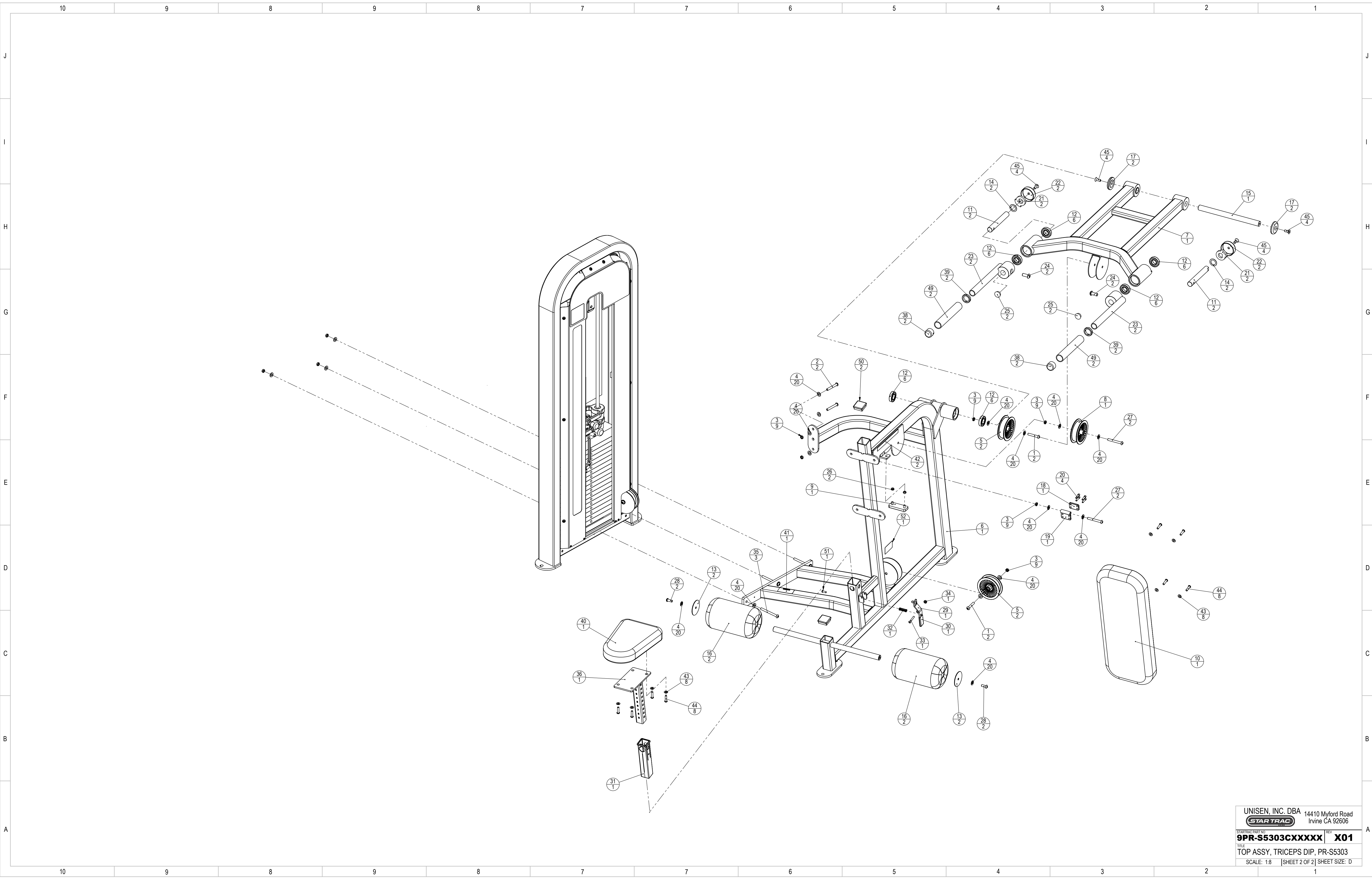
MATERIAL
SEE BOM
FINISH
N/A
VENDOR: N/A

PIN: N/A

UNLESS OTHERWISE SPECIFIED DIMENSIONS ARE IN INCHES. TOLERANCES ARE:
DECIMALS .005
FRACTIONS 1/32
ANGLES 1/2°
INITIAL
DATE
DRAWN
CHECKED
APPROVED

UNISEN, INC. DBA STAR TRAC 14410 Myford Road Irvine CA 92606
INITIAL
DATE
5/20/09
TITLE
TOP ASSY, TRICEPS DIP, PR-S5303
SCALE: 1:10
SHEET 1 OF 2
SHEET SIZE: D

9PR-S5303CXXXXX
REV X01



UNISEN, INC. DBA 14410 Myford Road
 STAR TRAC Irvine CA 92606
 PART NUMBER: **9PR-S5303CXXXXX** REV: **X01**
 TITLE: TOP ASSY, TRICEPS DIP, PR-S5303
 SCALE: 1:8 | SHEET 2 OF 2 | SHEET SIZE: D