

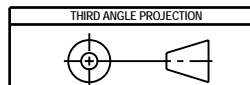
REVISION HISTORY				
REV	DATE	DESCRIPTION	ECO	BY
A		RELEASE FOR PRODUCTION	100527	SLS

NOTES:

1. INTERPRET DRAWING PER ASME Y14.5M-1994.
2. IF APPLICABLE, CRITICAL DIMENSIONS LABELED.
3. ALL HARDWARE IS KITTED PER 3700-0497
4. ALL UPHOLSTERY IS KITTED PER 3700-0202
5. EST. GROSS WT. 575 LBS.

DOCUMENT STATUS:
DEVELOPMENT

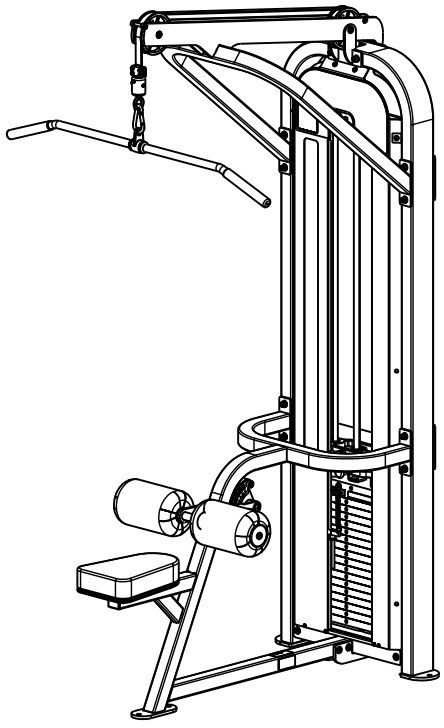
NOTICE OF PROPRIETARY INFORMATION
THIS DOCUMENT SHALL NOT BE REPRODUCED NOR SHALL THE INFORMATION CONTAINED HEREIN BE USED BY OR DISCLOSED TO OTHER EXCEPT AS EXPRESSLY AUTHORIZED BY UNISEN INC. D.B.A. STAR TRAC.



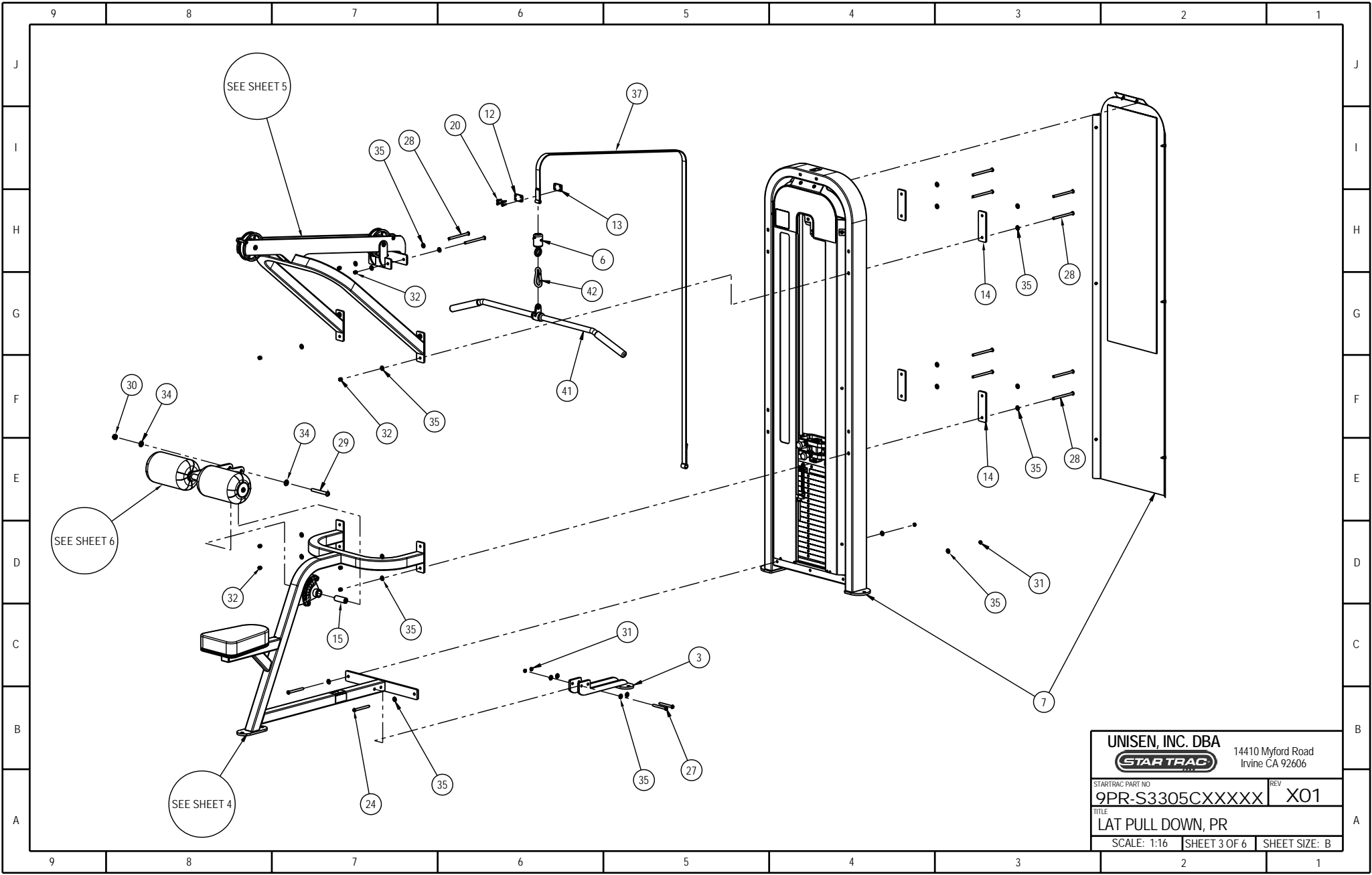
MATERIAL SEE BOM	UNLESS OTHERWISE SPECIFIED DIMENSIONS ARE IN INCHES. TOLERANCES ARE: DECIMALS: X = ±.13, XX = ±.05, XXX = ±.03, XXXX = ±.010 ANGLES: ±.2°
FINISH N/A	DRAWN: SLS, DATE: 6/30/2009
VENDOR: N/A	CHECKED: []
P/N: N/A	APPROVED: []

UNISEN, INC. DBA STAR TRAC		14410 Myford Road Irvine CA 92606	
STARTRAC PART NO	REV	TITLE	
9PR-S3305CXXXXX	XO1	LAT PULL DOWN, PR	
SCALE: 1:24	SHEET 1 OF 6	SHEET SIZE: B	

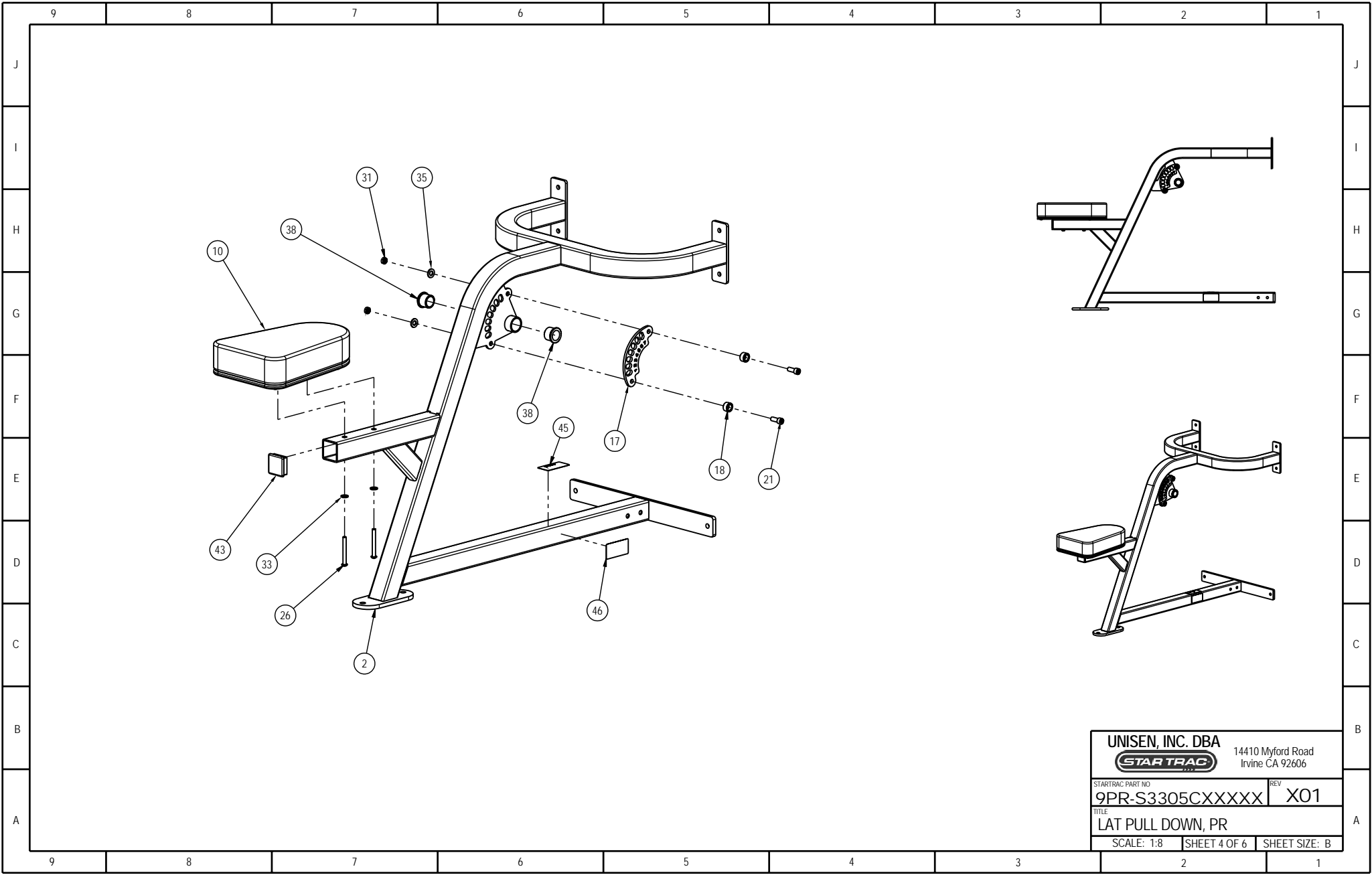
9	8	7	6	5	4	3	2	1
ITEM NO.	PART NUMBER	DESCRIPTION	QTY.					
J	1	3211-0327	ASSY, WELD, BOOM	1				
	2	3211-0328	ASSY, WELD, MAIN FRAME, L.P.D.	1				J
	3	3211-0329	ASSY, WELD, SUPPORT FOOT	1				
	4	3211-0337	ASSY, WELD, KNEE SUPPORT	1				
I	5	3211-0338	ASSY, WELD, TOP BRACE	1				I
	6	3310-0054	ASSY, MACH, BELT SWIVEL	1				
	7	3311-0288	ASSY, MECH, WT FRAME, S3305 PR	1				
	8	4900-PNTX	POWDER COAT, TBD	1.75 LBS.				
	9	3500-0021	ASSY, UP., ROLLER PAD, 5.70DX10LG	2				
H	10	3500-0087	ASSY, UPHOLSTRY, 8 7/8X13 1/8, FBR-716-B	1				H
	11	4900-UPHX	UPHOLSTERY, TBD	.75 LIN. YDS.				
	12	2120-0154	PLATE, BELT CLAMP, 1/4, BC-002	1				
	13	2120-0502	PLATE, BELT CLAMP, 1/4, BC-003	1				
	14	2120-3173	BAR, MACH, 1/4X2X6, MOUNT	4				
G	15	2120-4434	SHAFT, LINK, PIVOT	1				G
	16	2120-4436	PIN, BELT KEEPER	2				
	17	2163-0162	LASER CUT, KNEE ROM WEAR PAD	1				
	18	2200-0052	BUMPER, ROM STOP	2				
F	19	2210-0010	PLUG, KNEE PAD, 75X10.5, S1012	2				F
	20	4220-0004	SHCS, 1.4-20 x 3/4L	4				
	21	4220-0061	SCREW, 3/8-16, 1.0, SHC, HK, AS, ZP	2				
	22	4230-0050	BHSCS, 3/8-16 X 1, BRIGHT, Z	2				
	23	4230-0052	BHSCS, 3/8-16 X 3 1/4, BRIGHT, Z	1				
E	24	4230-0053	BHSCS, 3/8-16 X 4, BRIGHT, Z	2				E
	25	4230-0060	BHSCS, 3/8-16 X 2 3/4, BRIGHT, Z	1				
	26	4230-0080	BHSCS, 5/16-18 X 2 3/4, BRIGHT, Z	2				
	27	4230-0092	BHSCS, 3/8-16 X 3 1/2, BRIGHT, Z	2				
	28	4230-0111	SCREW 3/8-16, 5 1/4, BHC, HK, AS, ZP	10				
D	29	4230-0112	SCREW 1/2-13, 4 1/4, BHC, HK, AS, ZP	1				D
	30	4500-0004	NUT, NYLOC, 1/2-20	1				
	31	4500-0009	NUT, JAMNYLOC, 3/8-16, NTE	8				
	32	4500-0018	NUT, 3/8-16, NYLOC, NE, STL, Z	10				
C	33	4600-0007	WASHER, SAE, 5/16, Z	2				C
	34	4600-0008	WASHER, SAE, 1/2, Z	2				
	35	4600-0009	WASHER, SAE, 3/8-16, Z	36				
	36	4600-0027	WASHER, NYLON, 2 OD, 1 1/16 ID, 3/16	2				
	37	4800-0002	BELT, SEIGLING	120				
B	38	4900-0037	BEARING, FLANGE, 1.00B X 1.00H	2				B
	39	4900-0045	PULLEY, BELT, 5.0D, 3/8B, 1.5W	2				
	40	4900-0151	PULL PIN, 1/2", K320	1				
	41	4900-0169	BAR, LAT, FLB	1				
	42	4900-0170	CLIP, CARABINEER, 3/8 IN., CLP	1				
A	43	4900-0588	CAP, 2.0 X 2.0, BLACK, TEXTURED	1				A
	44	4900-0634	RETAINING RING, KLIPRING., 3/8	4				
	45	5220-0005	LABEL, SAFETY, SECURE TO FLOOR	1				
	46	5290-0001	SERIAL NUMBER	1				



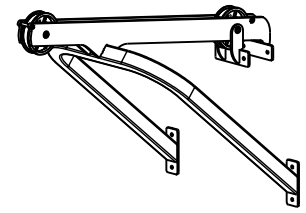
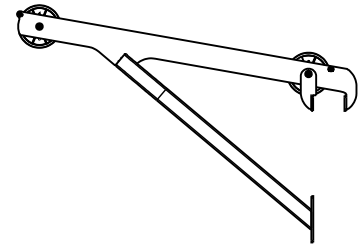
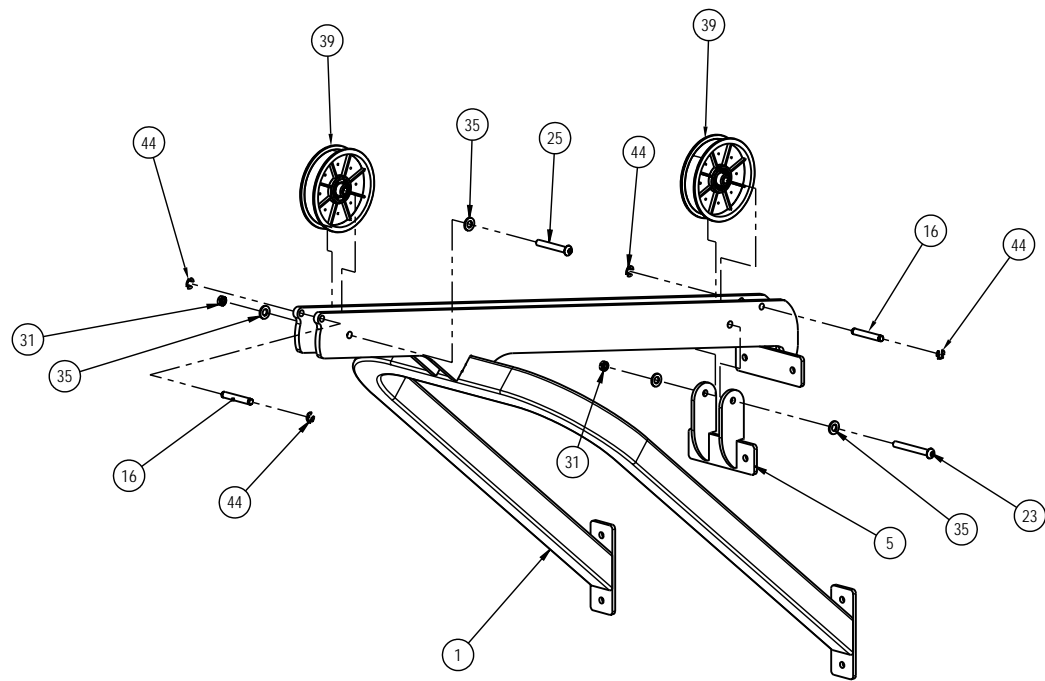
UNISEN, INC. DBA
STAR TRAC
 14410 Myford Road
 Irvine CA 92606
 STARTRAC PART NO **9PR-S3305CXXXXXX** REV **X01**
 TITLE **LAT PULL DOWN, PR**
 SCALE: 1:16 SHEET 2 OF 6 SHEET SIZE: B



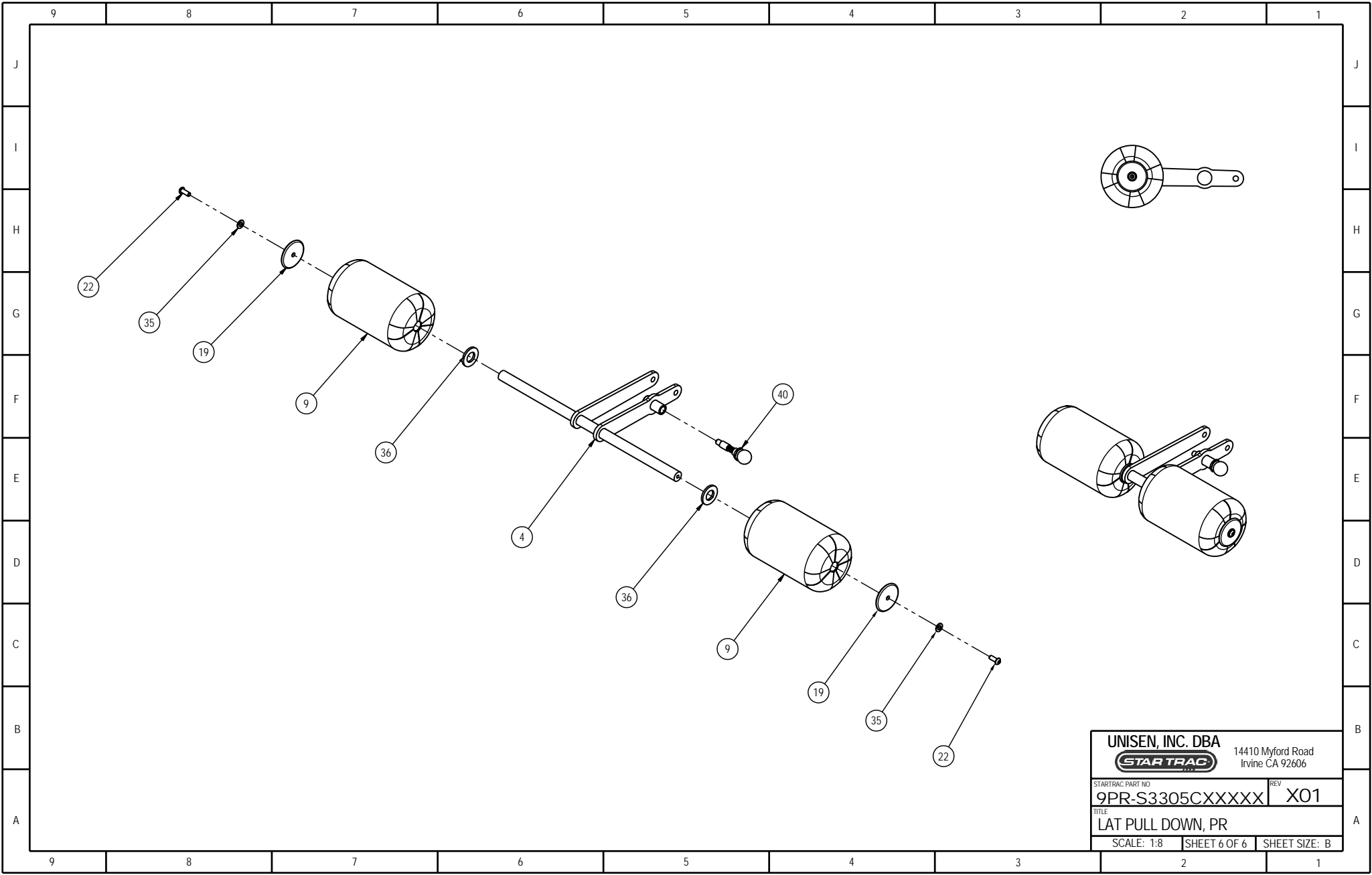
UNISEN, INC. DBA		14410 Myford Road	
STAR TRAC		Irvine CA 92606	
STARTRAC PART NO	9PR-S3305CXXXXX	REV	X01
TITLE			
LAT PULL DOWN, PR			
SCALE: 1:16	SHEET 3 OF 6	SHEET SIZE: B	



UNISEN, INC. DBA		14410 Myford Road
		Irvine CA 92606
STARTRAC PART NO	REV	
9PR-S3305CXXXXX	X01	
TITLE		
LAT PULL DOWN, PR		
SCALE: 1:8	SHEET 4 OF 6	SHEET SIZE: B



UNISEN, INC. DBA		14410 Myford Road	
STAR TRAC		Irvine CA 92606	
STARTRAC PART NO	9PR-S3305CXXXXX	REV	X01
TITLE			
LAT PULL DOWN, PR			
SCALE: 1:8	SHEET 5 OF 6	SHEET SIZE: B	



UNISEN, INC. DBA		14410 Myford Road
		Irvine CA 92606
STARTRAC PART NO	9PR-S3305CXXXXX	REV X01
TITLE LAT PULL DOWN, PR		
SCALE: 1:8	SHEET 6 OF 6	SHEET SIZE: B