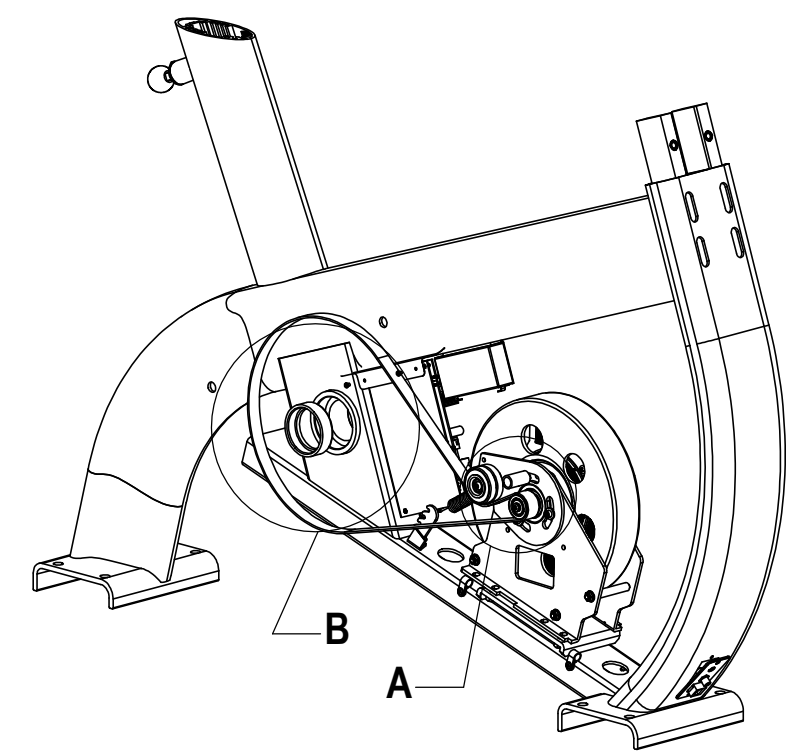
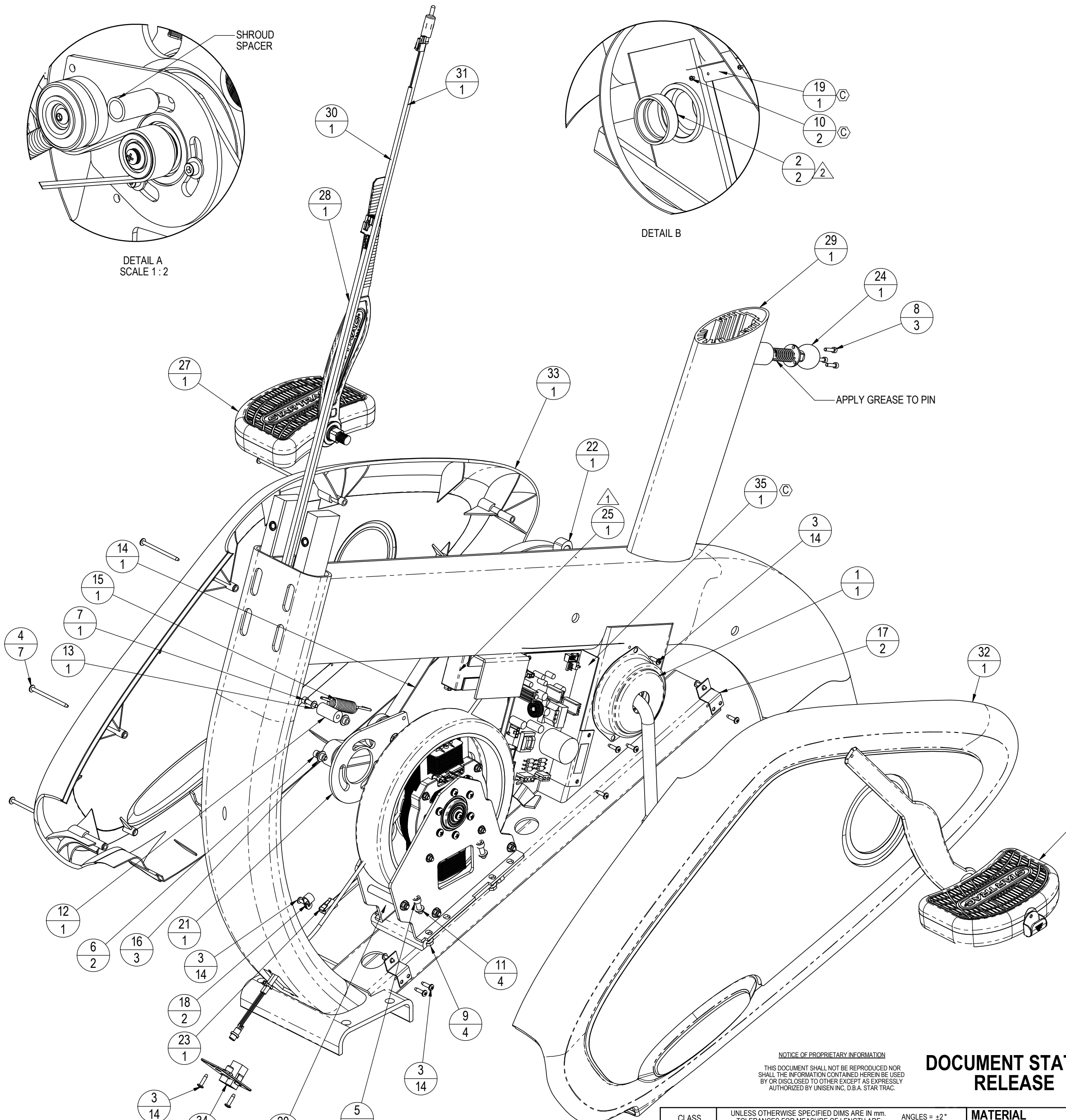


REVISIONS				
REV.	DATE	DESCRIPTION	ECO	BY
A	07-18-07	PRODUCTION RELEASE	11669	DN
B	07-01-09	SHT 1: ADD DETAIL VIEW B & NOTES; ADD P/N: 020-7336 QTY: 2; CHG P/N: 110-3164 QTY: WAS 16 IS 14; SHT 2: UPDATE SCHEMATIC	12172	SJK
C	06-04-10	SHT 1: REPLACE 718-1087 (1) FOR 260-0948 (1) AND 721-1043 (1) FOR 721-1176 (1); UPDATE SHT 2 WIRING DIAGRAM; ADD 140-3272 (1) & 110-3259 (2)	13315	SCN



ITEM	PART NUMBER	DESCRIPTION	QTY
1	020-6502	CUP, SHROUD COVER	1
2	020-7336	SLEEVE, BOTTOM BRT, E-UB/RB	2
3	110-3164	SCREW, M4x0.7x16L,PHT,PH,CS,ZI	14
4	110-3167	SCREW, M4x0.7x64L,PHT,PH,CS,ZI	7
5	110-3171	SCREW, M6x20, SHC, HE, ISO4762	4
6	110-3177	SCREW, M5x14, SHC, HE, ISO4762	2
7	110-3230	SCREW, M5x18, SHC, HE, ISO4762	1
8	110-3232	SCREW, M4x16, SHC, HE, ISO4762	3
9	110-3236	NUT, M6xP1.0, UNLOCK	4
10	110-3259	SCREW, M3X0.5X4, PHM, PH, CS, ZI	2
11	120-3246	WASHER, M6, ISO 7089	4
12	120-3251	SPACER, SHROUD, PRO BIKE	1
13	120-3252	WASHER, M5, ISO 7089	1
14	130-1693	BELT, POLY V, 460J8	1
15	140-3243	SPRING, EXT	1
16	140-3248	SPACER, BRACKET, IDLER	3
17	140-3250	BRACKET, ANGLE, 4M	2
18	140-3252	CLAMP, 3/8" CURLEY	2
19	140-3272	SHIELD, MYLAR, LCB, UB PRO	1
20	260-0948	W/PULLEY, GEN/BRK, HYBRID, RB/UB	1
21	718-1095	ASSY, IDLER ADJ, UB/RB PRO	1
22	718-1103	ASSY, CRANK W/PULLEY	1
23	718-1123	ASSY, HARNESS, CSAFE EXTENSION	1
24	718-5051	ASSY, SEAT STOP PIN, UB PRO	1
25	718-5067	ASSY, BATTERY	1
26	718-5085-01	ASSY., PEDAL W/STRAP, L, UB6300/RB6400 PRO	1
27	718-5085-02	ASSY., PEDAL, W/STRAP, R, UB6300/RB6400 PRO	1
28	718-5090	ASSY, HARNESS, COMM, UB PRO	1
29	718-5109	FRAME,WELDMENT,UB,VLAD	1
30	718-5120	CABLE, COAX, M-M, UB/RB	1
31	718-5121	CABLE,POWER,VLAD,8000/8020	1
32	718-5124-01	SHROUD,KIT,LH,UB PRO,80XX	1
33	718-5124-02	SHROUD,KIT,RH,UB PRO,80XX	1
34	721-1134	ASSY,CONNECTOR,VLAD	1
35	721-1176	ASSY, ADT LCB, UB/RB/EL	1

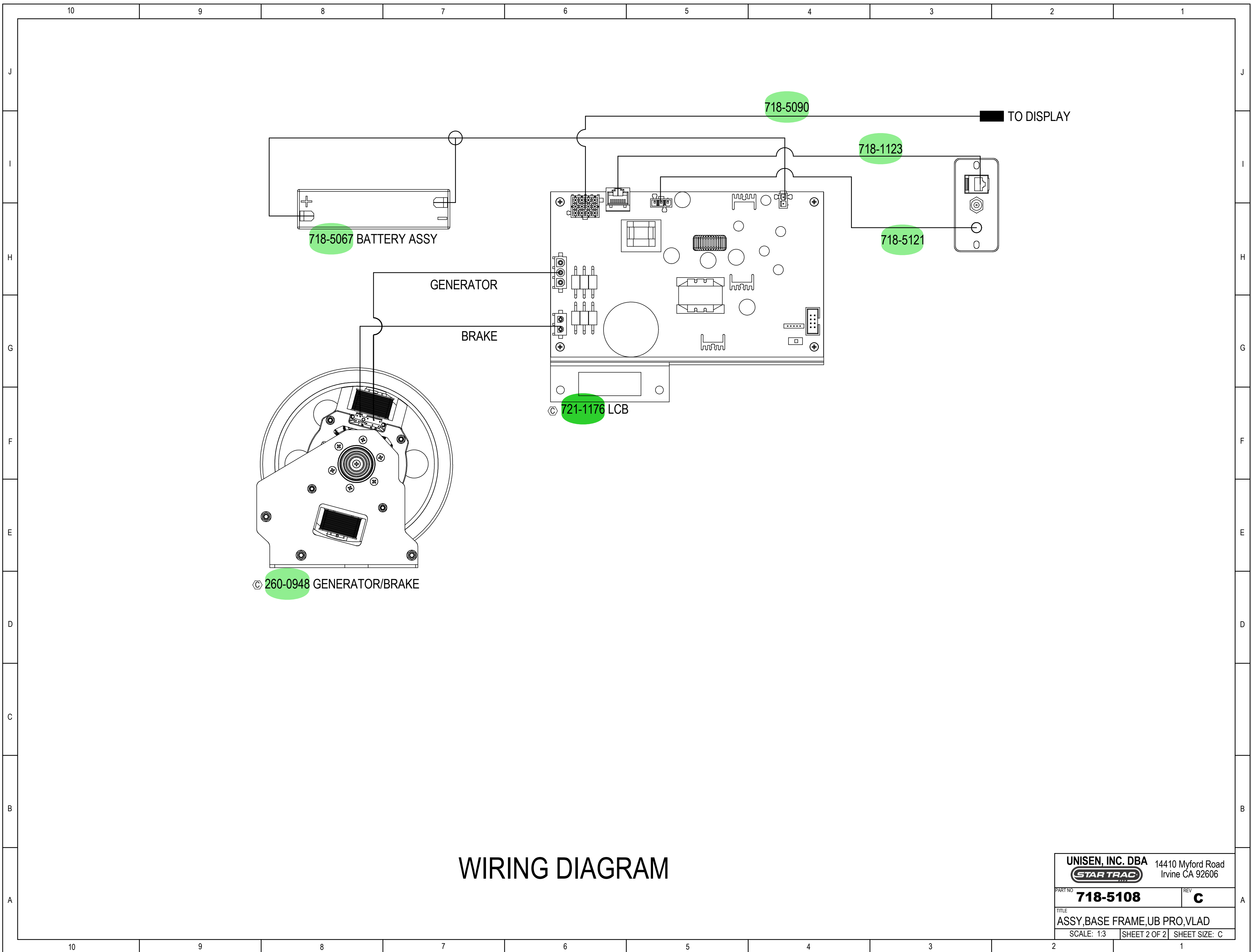
NOTICE OF PROPRIETARY INFORMATION
 THIS DOCUMENT SHALL NOT BE REPRODUCED NOR SHALL THE INFORMATION CONTAINED HEREIN BE USED BY OR DISCLOSED TO OTHER EXCEPT AS EXPRESSLY AUTHORIZED BY UNISEN INC. D.B.A. STAR TRAC.

**DOCUMENT STATUS:
RELEASE**

- NOTES:
- CLEAN SURFACE WITH ALCOHOL WHERE BATTERY ADHERES TO FRAME.
 - APPLY LOCTITE 620 OR S/T ENG. APPROVED EQUIV. ONTO THE MATING SURFACE OF THE OUTER BORE AND BOTTOM BRACKET HOUSING. FOLLOW LOCTITE INSTALLATION INSTRUCTIONS FOR PROPER PROCEDURE.

CLASS OF WORK	UNLESS OTHERWISE SPECIFIED DIMS ARE IN mm. TOLERANCES FOR MEASURE OF LENGTH ARE:							MATERIAL
	0.5 to 3	>3 to 6	>6 to 30	>30 to 120	>120 to 400	>400 to 1000	>1000 to 2000	
FINE	±0.05	±0.05	±0.1	±0.15	±0.2	±0.3	±0.5	
MEDIUM	±0.1	±0.1	±0.2	±0.3	±0.5	±0.8	±1.2	FINISH N/A
COARSE	±0.2	±0.3	±0.5	±0.8	±1.2	±2	±3	
VERY COARSE	---	±0.5	±1	±1.5	±2.5	±4	±6	

THIRD ANGLE PROJECTION		UNISEN, INC. DBA STAR TRAC	
DRAWN	RLH	DATE	01/07/07
CHECKED		STARTRAC PART NO. 718-5108	
APPROVED		TITLE ASSY, BASE FRAME, UB PRO, VLAD	
U.O.M.		MM	SCALE: 1:4
VENDOR:		P/N:	SHEET 1 OF 2
			SHEET SIZE: C



WIRING DIAGRAM

UNISEN, INC. DBA STAR TRAC		14410 Myford Road Irvine CA 92606	
PART NO	718-5108	REV	C
TITLE ASSY,BASE FRAME,UB PRO,VLAD			
SCALE: 1:3	SHEET 2 OF 2	SHEET SIZE: C	