

NOTES: UNLESS OTHERWISE SPECIFIED

- 1 PACKAGE THESE ITEMS IN ONE BAG.
- 2 INSTALL LABEL (ITEM 13) AS SHOWN, CENTERED HORIZONTALLY AND PARALLEL TO THE BOTTOM EDGE OF THE HOOD COVER WITHIN .060 TOTAL.
- 3 FILL IN NAMEPLATE INFORMATION (ITEM 15) PER TABLE I. YY IS YEAR, MM IS MONTH, DD IS DAY, AND XXX IS SEQUENTIAL NUMBER OF UNIT(S) MANUFACTURED ON STATED DATE.
- 4. A SPARE HARDWARE KIT IS AVAILABLE CONTAINING LOOSE HARDWARE SHIPPED WITH EACH TREADMILL. SEE DRAWING 033372.
- 5 RECORD THE PRODUCT POWER REQUIREMENTS ON TAG (ITEM 23) PER TABLE I AND ATTACH THE TAG TO THE POWER CORD.
- 6. DELETED.
- 7 DELETED.

PART NO.	MODEL NO.	SERIAL NO.	V AC ~	A.	Hz
000425-001	CLUBTRACK	42501YYMDDXXX	120	20	60
000425-002	CLUBTRACK	42502YYMDDXXX	230	10	50
000425-003	CLUBTRACK	42503YYMDDXXX	230	10	50
000425-004	CLUBTRACK	42504YYMDDXXX	230	10	50
000425-005	CLUBTRACK	42505YYMDDXXX	230	10	50
000425-006	CLUBTRACK	42506YYMDDXXX	230	10	50
000425-007	CLUBTRACK	42507YYMDDXXX	100	20	50/60
000425-008	CLUBTRACK	42508YYMDDXXX	200	10	50/60
000425-009	CLUBTRACK	42509YYMDDXXX	230	10	60

LTR	ZONE	DESCRIPTION	APPROVED	DATE
		RDA: 10212	M. GURR	04/02/02
		DELETED ITEM 21, P/N WAS: 034312-001	<i>[Signature]</i>	5/10/02
		DELETED ITEM 29, P/N WAS: 034319-002	<i>[Signature]</i>	5/6/02
		DELETED ITEM 30, P/N WAS: 032172-004	<i>[Signature]</i>	5/6/02
		DELETED ITEM 31, P/N WAS: 033754-001	<i>[Signature]</i>	5/6/02
		ADDED ITEM 32 AND 33		
		DELETED NOTE 6		
		DELETED FLAGNOTE 7		
		ACTION CODE: FI, MOD: DATE OF RELEASE		

DRAWING NO.	DASH NO.	OPTION TYPE
030005	-004	LH SIDE HANDRAIL
030005	-005	RH SIDE HANDRAIL
030005	-006	LH AND RH SIDE HANDRAIL

NOTE:
PROTOTYPE DASH NUMBERS INDICATED BELOW HAVE BEEN ADDED TO THIS DRAWING.

-004 -005

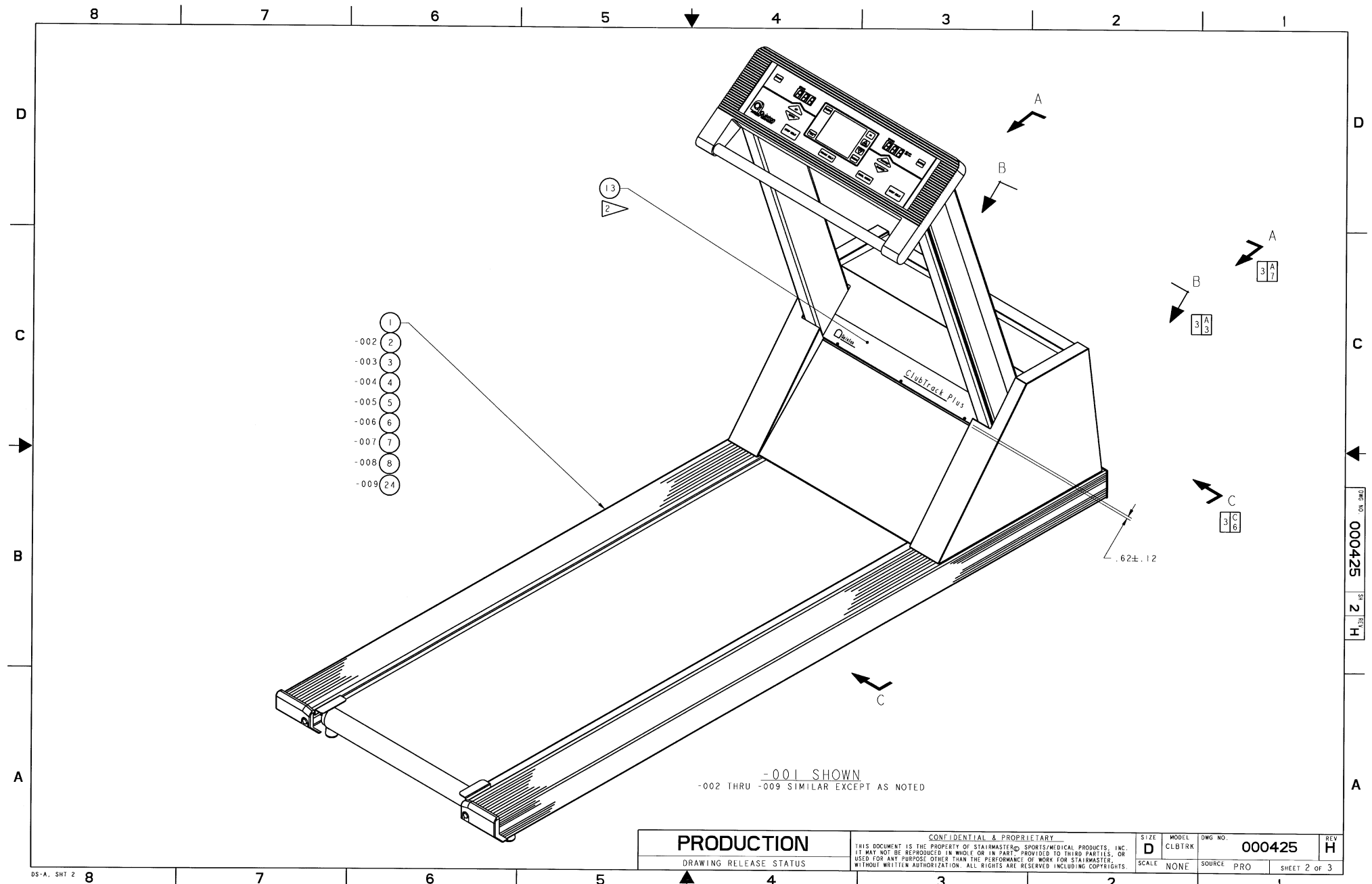
ITEM NUMBER	PART NUMBER	DESCRIPTION	MATERIAL SPECIFICATION	REFERENCE DESIGNATION
33	040041-005	PACKAGING, TREADMILL	CLUBTRACK, INTERNATIONAL	
32	040041-002	PACKAGING, TREADMILL	CLUBTRACK	
31	DELETED			
30	DELETED			
29	DELETED			
28	035523-840	USER'S GUIDE	SPANISH	NOT SHOWN
27	035522-840	USER'S GUIDE	GERMAN	NOT SHOWN
26	DELETED			
25	036706-001	LABEL, EUROPEAN COMM. CERT.		
24	034666-009	CLUBTRACK, FNL. MECH. ASSY	ENGLISH, DOMESTIC	
23	017041-001	TAG, VOLTAGE		
22	DELETED			
21	DELETED			
20	000377-351	UNPACKING INSTRUCTIONS, TREADMILL		NOT SHOWN
19	000425-840	USER'S GUIDE	ENGLISH	NOT SHOWN
18	030870-001	LABEL, TREADMILL	FCC	
17	036534-001	LABEL, TREADMILL	CSA	
16	033172-004	LABEL, TREADMILL	CAUTION	
15	036484-002	LABEL, TREADMILL	NAMEPLATE	
14	030022-001	LABEL, FITNESS LOGO		
13	033034-005	LABEL, CLB/MEDTRK NAMEPLATE	CLUBTRACK PLUS HR CNTRL	

ITEM NUMBER	PART NUMBER	DESCRIPTION	MATERIAL	REF DES COMMENTS
12	030736-042	CORDSET, INTL. POWER	JAPAN 200V	
11	030736-039	CORDSET, INTL. POWER	EUROPE	
10	030736-038	CORDSET, INTL. POWER	ITALY	
9	030736-037	CORDSET, INTL. POWER	U.K.	
8	034666-008	CLUBTRACK, FNL. MECH. ASSY	JAPANESE, INTL 200V	
7	034666-007	CLUBTRACK, FNL. MECH. ASSY	JAPANESE, INTL 100V	
6	034666-006	CLUBTRACK, FNL. MECH. ASSY	SPANISH, INTL	
5	034666-005	CLUBTRACK, FNL. MECH. ASSY	ITALIAN, INTL	
4	034666-004	CLUBTRACK, FNL. MECH. ASSY	FRENCH, INTL	
3	034666-003	CLUBTRACK, FNL. MECH. ASSY	GERMAN, INTL	
2	034666-002	CLUBTRACK, FNL. MECH. ASSY	ENGLISH, INTL	
1	034666-001	CLUBTRACK, FNL. MECH. ASSY	ENGLISH, DOMESTIC	
-009		CLUBTRACK, FINAL ASSEMBLY	DOMESTIC, 230V	
-008		CLUBTRACK, FINAL ASSEMBLY	JAPANESE 200V	
-007		CLUBTRACK, FINAL ASSEMBLY	JAPANESE 100V	
-006		CLUBTRACK, FINAL ASSEMBLY	SPANISH	
-005		CLUBTRACK, FINAL ASSEMBLY	ITALIAN	
-004		CLUBTRACK, FINAL ASSEMBLY	FRENCH	
-003		CLUBTRACK, FINAL ASSEMBLY	GERMAN	
-002		CLUBTRACK, FINAL ASSEMBLY	U.K.	
-001		CLUBTRACK, FINAL ASSEMBLY	DOMESTIC, 120V	

ALL	MARKET	MARKET
PART NO.	NEXT ASSY NO.	END ITEM NO.
APPLICATION		

PRODUCTION
DRAWING RELEASE STATUS

QTY PER ASSY	DO NOT SCALE DRAWING	DRAWN: S. ERICKSON 2/26/97	STAIRMASTER SPORTS/MEDICAL PRODUCTS, INC.
UNLESS OTHERWISE SPECIFIED ALL DIMENSIONS ARE IN INCHES DIMENSIONS AND TOLERANCES PER ANSI Y14.5M-1982	ENGR: S. ERICKSON 3/4/97	TITLE: FINAL ASSEMBLY, HR CLUBTRACK PLUS	
TOL: .X ± 0.1 .XX ± 0.10 .XXX ± 0.001	ANGLE: BENT: 2° MACHINED: 0.5°	SIZE: D	
CONFIDENTIAL & PROPRIETARY	COMPL ENGR: D. VANDEVENTER 3/10/97	MODEL: CLBTRK	
THIS DOCUMENT IS THE PROPERTY OF STAIRMASTER SPORTS/MEDICAL PRODUCTS, INC. IT MAY NOT BE REPRODUCED IN WHOLE OR IN PART, PROVIDED TO THIRD PARTIES, OR USED FOR ANY PURPOSE OTHER THAN THE PERFORMANCE OF WORK FOR STAIRMASTER, WITHOUT WRITTEN AUTHORIZATION. ALL RIGHTS ARE RESERVED INCLUDING COPYRIGHTS.	REG AFFAIRS: -----	DWG NO: 000425	REV: H
		SCALE: NONE	SOURCE: PRO
			SHEET 1 OF 3

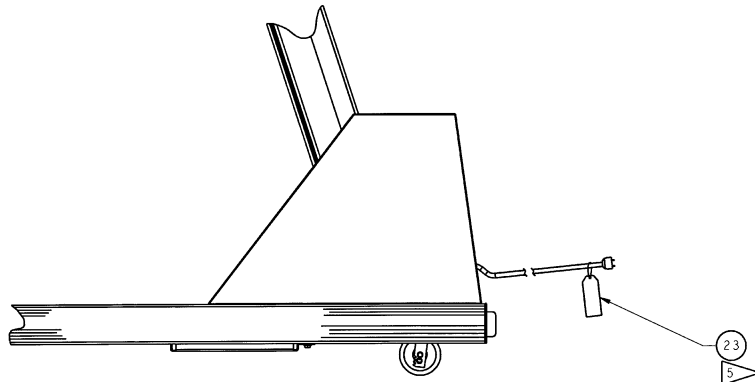


PRODUCTION	CONFIDENTIAL & PROPRIETARY			SIZE	MODEL	DWG NO.	REV
	THIS DOCUMENT IS THE PROPERTY OF STAIRMASTER® SPORTS/MEDICAL PRODUCTS, INC. IT MAY NOT BE REPRODUCED IN WHOLE OR IN PART, PROVIDED TO THIRD PARTIES, OR USED FOR ANY PURPOSE OTHER THAN THE PERFORMANCE OF WORK FOR STAIRMASTER, WITHOUT WRITTEN AUTHORIZATION. ALL RIGHTS ARE RESERVED, INCLUDING COPYRIGHTS.			D	CLBTRK	000425	H
DRAWING RELEASE STATUS	SCALE	NONE	SOURCE	PRO	SHEET 2 OF 3		

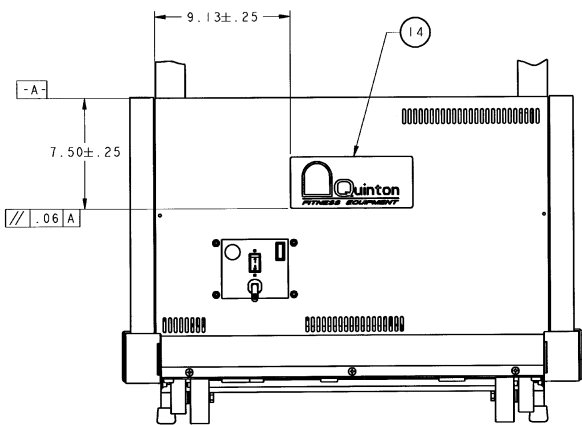
DWG NO. 000425
 SH 2
 REV H

8 7 6 5 4 3 2 1

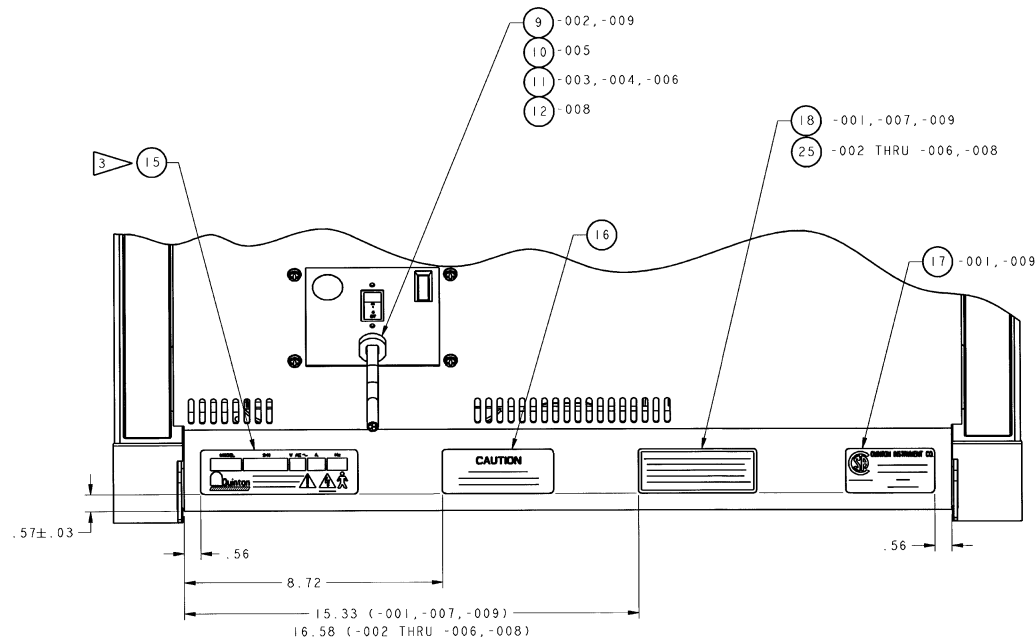
D
C
B
A



VIEW C-C 2 B 1



VIEW A-A 2 C 1



VIEW B-B 2 C 2

DWG NO. 000425
SHEET 3 OF 3

PRODUCTION	CONFIDENTIAL & PROPRIETARY			SIZE	MODEL	DWG NO.	REV
	THIS DOCUMENT IS THE PROPERTY OF STAIRMASTER SPORTS/MEDICAL PRODUCTS, INC. IT MAY NOT BE REPRODUCED IN WHOLE OR IN PART, PROVIDED TO THIRD PARTIES, OR USED FOR ANY PURPOSE OTHER THAN THE PERFORMANCE OF WORK FOR STAIRMASTER, WITHOUT WRITTEN AUTHORIZATION. ALL RIGHTS ARE RESERVED INCLUDING COPYRIGHTS.			D	CLBTRK	000425	H
DRAWING RELEASE STATUS				SCALE	NONE	SOURCE	PRO SHEET 3 OF 3

8 7 6 5 4 3 2 1