

| REVISIONS |      |                          |          |          |
|-----------|------|--------------------------|----------|----------|
| LTR       | ZONE | DESCRIPTION              | APPROVED | DATE     |
| X         |      | REVISED PER ECD # 8475   | K. FITE  | 1/27/03  |
| Y         |      | REVISED PER ECD # 8591   | K. FITE  | 3/12/03  |
| Z         |      | REVISED PER ECD # 8604   | K. FITE  | 3/25/03  |
| AA        |      | REVISED PER ECD # 846941 | K. FITE  | 4/9/03   |
| AB        |      | REVISED PER ECD # 846944 | K. FITE  | 4/15/03  |
| AC        |      | REVISED PER ECD # 8661   | K. FITE  | 4/23/03  |
| AD        |      | REVISED PER ECD # 8692   | K. FITE  | 5/15/03  |
| AE        |      | REVISED PER ECD # 846987 | K. FITE  | 7/21/03  |
| AF        |      | REVISED PER ECD # 8748   | K. FITE  | 7/23/03  |
| AG        |      | REVISED PER ECD # 8822   | K. FITE  | 9/11/03  |
| AH        |      | REVISED PER ECD # 8868   | K. FITE  | 9/18/03  |
| AJ        |      | REVISED PER ECD # 896200 | K. FITE  | 12/23/03 |
| AK        |      | REVISED PER ECD # 907000 | K. FITE  | 3/8/04   |
| AL        |      | REVISED PER ECD # 921400 | K. FITE  | 5/11/04  |
| AM        |      | REVISED PER ECD # 920400 | K. FITE  | 5/19/04  |
| AN        |      | REVISED PER ECD # 923700 | K. FITE  | 6/22/04  |

NOTES: UNLESS OTHERWISE SPECIFIED.

1. ASSEMBLE PER QUINTON WORKMANSHIP STANDARDS AND PROCEDURES.
2. PRESS BUSHING (ITEM 21) INTO SUPPORT (ITEM 22) FLUSH ±.030.
3. LUBRICATE BUSHING (ITEM 21) WITH GREASE (ITEM 113) PRIOR TO ATTACHING GRADE WELDMENT.
4. ALIGN FLYWHEEL ASSEMBLY (ITEM 13 OR 14) WITH POLY-V-PULLEY (PART OF ITEM 56 OR 57) WITHIN ±.020.
5. ORIENT MOTOR MOUNT (ITEM 18) WITH PROPER NOMENCLATURE FACING TO THE FRONT OF THE TREADMILL. CLUBTRACK: -001 THRU -006, MEDTRACK: -007 THRU -009.
6. ALTERNATE TENSIONING OF BOTH SCREWS (ITEM 81) UNTIL SPLIT LOCK WASHER (ITEM 95) IS FLAT.
7. DELETED.
8. CABLE TIES USED ON ALL CABLE MOUNTS (ITEM 75) AND AS NEEDED ON WIRE BUNDLES.
9. CONNECT WIRE HARNESSSES PER WIRING SCHEMATIC ON SHEET 9.
10. LUBRICATE BUSHINGS (ITEMS 26) WITH GREASE (ITEM 113) PRIOR TO INSTALLING ACTUATOR (ITEM 8 OR 9).
11. APPLY LOCTITE 242 (ITEM 122) TO THREADS PRIOR TO INSTALLING.
12. THESE ITEMS TO BE REMOVED AND PACKAGED SEPARATELY IN BAG PROVIDED FOR USE IN SHIPPING KIT AT FINAL ASSEMBLY:  
(ITEM 103) FLAT WASHER, QTY: 8  
(ITEM 115) SCREW, HEX CAP, QTY: 8  
(ITEM 116) LOCK WASHER, QTY: 8
13. TRUNION KIT IS LISTED FOR COST ONLY. IT IS PART OF ACTUATOR (ITEM 8 OR 9).
14. DELETED.
15. INSTALL HANDRAIL (ITEM 59) WITH CABLE ROUTED TO CONTROLLER ON LEFT HAND SIDE.
16. P/N 036118-001 IS AN ACCEPTABLE ALTERNATE. WHEN USING 036118-001, ITEMS 134 AND 135 NOT REQUIRED.
17. P/N 040049-001 IS AN ACCEPTABLE ALTERNATE.
18. TORQUE FASTENERS TO 44 IN. LBS.

|   |   |   |   |   |   |    |            |                                    |                        |  |
|---|---|---|---|---|---|----|------------|------------------------------------|------------------------|--|
| 1 | 1 | 1 | 1 | 1 | 1 | 12 | 27552      | ROTARY TENSIONER                   |                        |  |
| 1 | 1 | 1 | 1 | 1 | 1 | 11 | 032783-003 | DRIVE MOTOR ASSEMBLY               |                        |  |
| 1 | 1 | 1 | 1 | 1 | 1 | 10 | 035730-001 | GRADE WELDMENT                     |                        |  |
| 1 | 1 | - | 1 | 1 | - | 9  | 27324      | LINEAR ACTUATOR                    | 220V                   |  |
| - | - | 1 | - | - | 1 | 8  | 27966      | LINEAR ACTUATOR                    | 115V                   |  |
| 1 | 1 | 1 | 1 | 1 | 1 | 7  | 27526      | HEADFRAME, SHEET METAL             |                        |  |
| - | - | - | - | - | - | 6  | 035960-008 | PLATE ASSY., CONFIGURATION         | 612, 230V, 80VA        |  |
| - | 1 | - | - | - | - | 5  | 035960-005 | PLATE ASSY., CONFIGURATION         | 612 DOMESTIC, 220V     |  |
| - | - | - | - | - | - | 4  | 035960-004 | PLATE ASSY., CONFIGURATION         | 612 DOMESTIC, 115V     |  |
| - | - | - | - | - | - | 3  | 035960-007 | PLATE ASSY., CONFIGURATION         | 510, 230V, 80VA        |  |
| - | - | - | - | 1 | - | 2  | 035960-002 | PLATE ASSY., CONFIGURATION         | 510 DOMESTIC, 220V     |  |
| - | - | - | - | - | - | 1  | 035960-001 | PLATE ASSY., CONFIGURATION         | 510 DOMESTIC, 115V     |  |
| - | - | - | - | - | - | -  | -009       | DELETED                            |                        |  |
| - | - | - | - | - | - | -  | -008       | DELETED                            |                        |  |
| - | - | - | - | - | - | -  | -007       | DELETED                            |                        |  |
| - | - | - | - | - | - | -  | -006       | MECHANICAL ASSEMBLY, CLUB/MEDTRACK | 612 230V INTERNATIONAL |  |
| - | - | - | - | - | - | -  | -005       | MECHANICAL ASSEMBLY, CLUB/MEDTRACK | 612 220V DOMESTIC      |  |
| - | - | - | - | - | - | -  | -004       | MECHANICAL ASSEMBLY, CLUB/MEDTRACK | 612 115V DOMESTIC      |  |
| - | - | - | - | - | - | -  | -003       | MECHANICAL ASSEMBLY, CLUB/MEDTRACK | 510 230V INTERNATIONAL |  |
| - | - | - | - | - | - | -  | -002       | MECHANICAL ASSEMBLY, CLUB/MEDTRACK | 510 220V DOMESTIC      |  |
| - | - | - | - | - | - | -  | -001       | MECHANICAL ASSEMBLY, CLUB/MEDTRACK | 510 115V DOMESTIC      |  |

|                      |                  |                                      |
|----------------------|------------------|--------------------------------------|
| -009<br>-008<br>-007 | 000465<br>000459 | 000465<br>000459                     |
| -006<br>-005<br>-004 | 000457<br>000456 | 000504<br>000502<br>000457<br>000456 |
| -003<br>-002<br>-001 | 000448<br>000458 | 000503<br>000501<br>000448<br>000458 |
| PART NO.             | NEXT ASSY NO.    | END ITEM NO.                         |
| APPLICATION          |                  |                                      |

QTY PER ASSEMBLY DO NOT SCALE DRAWING

TOL: .X ± 0.1 ANGLE: BENT ± 2° MACHINED ± 0.1°  
.XX ± 0.01  
.XXX ± 0.001

UNLESS OTHERWISE SPECIFIED ALL DIMENSIONS ARE IN INCHES DIMENSIONS AND TOLERANCES PER ANSI Y14.5-1982

CONFIDENTIAL & PROPRIETARY

THIS DOCUMENT IS THE PROPERTY OF STAIRMASTER® SPORTS/MEDICAL PRODUCTS, INC. IT MAY NOT BE REPRODUCED IN WHOLE OR IN PART, PROVIDED TO THIRD PARTIES, OR USED FOR ANY PURPOSE OTHER THAN THE PERFORMANCE OF WORK FOR STAIRMASTER, WITHOUT WRITTEN AUTHORIZATION. ALL RIGHTS ARE RESERVED INCLUDING COPYRIGHTS.

DRAWN: S.ERICKSON 2/9/99  
ENGR: S.ERICKSON 2/9/99  
MFG: D.CRAIN 2/9/99  
QUAL: D.VANDEVENTER 2/9/99  
COMPL: ----  
MKTG: ----  
TECH SVCE: ----

StairMaster® SPORTS/MEDICAL PRODUCTS, INC.

TITLE: MECHANICAL ASSY, CLUBTRACK,

SIZE: D MODEL: 510/612 DWG NO: 035602 REV: AN  
SCALE: 1/4 SOURCE: ACAD SHEET 1 OF 9

PRODUCTION  
DRAWING RELEASE STATUS

D

D

C

C

B

B

A

A

DWG NO: 035602  
SHEET 1 OF 9  
REV: AN

D  
C  
B  
A

| ITEM NUMBER | PART NUMBER | DESCRIPTION | MATERIAL SPECIFICATION | REFERENCE DESIGNATION |   |                   |  |
|-------------|-------------|-------------|------------------------|-----------------------|---|-------------------|--|
|             |             | 72 DELETED  |                        |                       |   |                   |  |
| 1           | 1           | 1           | 1                      | 1                     | 71 036035-001 WIRECLIP, LATCHING          |                   |  |
| 2           | 2           | 2           | 2                      | 2                     | 70 031610-003 SUPPRESSOR, FERRITE         |                   |  |
| 1           | 1           | 1           | 1                      | 1                     | 69 035985-001 HARNESS ASSY, CONFIGURATION |                   |  |
| 1           | 1           | 1           | 1                      | 1                     | 68 035982-002 HARNESS ASSY, A.C.          | 115V / 230V       |  |
|             |             |             |                        |                       | 67 DELETED                                |                   |  |
| 1           | 1           | 1           | 1                      | 1                     | 66 035986-001 HARNESS ASSY, GRADE POWER   |                   |  |
| 1           | 1           | 1           | 1                      | 1                     | 65 036068-002 CLAMP, DRIVE MODULE         |                   |  |
| 1           | 1           | 1           | 1                      | 1                     | 64 036057-002 BRACKET, PCBA SUPPORT       |                   |  |
| 1           | 1           | 1           | 1                      | 1                     | 63 27436 GUARD, FOOT                      |                   |  |
| 14          | 14          | 14          | 14                     | 14                    | 62 27469 RETAINER, COVER                  |                   |  |
| 2           | 2           | 2           | 2                      | 2                     | 61 035943-002 RETAINER, HANDRAIL          |                   |  |
|             |             |             |                        |                       | 60 DELETED                                |                   |  |
| 1           | 1           | 1           | 1                      | 1                     | 59 036430-001 HANDRAIL ASSY, CONTACT H/R  |                   |  |
| 1           | 1           | 1           | 1                      | 1                     | 58 27467 PULLEY, DRIVEN                   |                   |  |
| -           | -           | -           | -                      | -                     | 57 DELETED                                |                   |  |
| 1           | 1           | 1           | 1                      | 1                     | 56 27417 DRIVE ROLLER ASSEMBLY            | CLUBTRACK 510/612 |  |
| 2           | 2           | 2           | 2                      | 2                     | 55 035582-001 RETAINER, FRONT SHAFT       |                   |  |
| 2           | 2           | 2           | -                      | -                     | 54 27536 SIDERAIL COVER                   | CLUB/MEDTRACK 612 |  |
| -           | -           | -           | 2                      | 2                     | 53 035606-001 SIDERAIL COVER              | CLUB/MEDTRACK 510 |  |
| 1           | 1           | 1           | -                      | -                     | 52 040008-004 SIDERAIL, MACHINED, R.H.    | CLUB/MEDTRACK 612 |  |
| -           | -           | -           | 1                      | 1                     | 51 040008-003 SIDERAIL, MACHINED, R.H.    | CLUB/MEDTRACK 510 |  |
| 1           | 1           | 1           | -                      | -                     | 50 040009-004 SIDERAIL, MACHINED, L.H.    | CLUB/MEDTRACK 612 |  |
| -           | -           | -           | 1                      | 1                     | 49 040009-003 SIDERAIL, MACHINED, L.H.    | CLUB/MEDTRACK 510 |  |
| 2           | 2           | 2           | 2                      | 2                     | 48 014639-001 FOOT, RUBBER                |                   |  |
| 2           | 2           | 2           | 2                      | 2                     | 47 27426 NUTPLATE, FOOT                   |                   |  |
| 1           | 1           | 1           | 1                      | 1                     | 46 036259-001 WELDMENT, SUPPORT           |                   |  |
| 2           | 2           | 2           | 2                      | 2                     | 45 27676 SPACER, SOFT DECK                |                   |  |
| 10          | 10          | 10          | 10                     | 10                    | 44 27543 COMPRESSION MOUNT, LONG          |                   |  |
| 8           | 8           | 8           | 8                      | 8                     | 43 27544 COMPRESSION MOUNT,SHORT          |                   |  |
| -           | -           | -           | -                      | -                     | 42 DELETED                                |                   |  |
| 1           | 1           | 1           | 1                      | 1                     | 41 27458 DRIVE BELT, POLY-V               | CLUBTRACK 510/612 |  |
| 1           | 1           | 1           | 1                      | 1                     | 40 27648 ENDCAP, LEFT HAND                |                   |  |
| 1           | 1           | 1           | 1                      | 1                     | 39 27649 ENDCAP, RIGHT HAND               |                   |  |
| 1           | 1           | 1           | -                      | -                     | 38 27640 BELT, WALKING                    | CLUB/MEDTRACK 612 |  |
| -           | -           | -           | 1                      | 1                     | 37 27880 BELT, WALKING                    | CLUBTRACK 510     |  |
| 1           | 1           | 1           | -                      | -                     | 36 27535 SLIDER BED                       | CLUB/MEDTRACK 612 |  |
| -           | -           | -           | 1                      | 1                     | 35 035613-001 SLIDER BED                  | CLUBTRACK 510     |  |
|             |             |             |                        |                       | 34 DELETED                                |                   |  |
|             |             |             |                        |                       | 33 DELETED                                |                   |  |
| 1           | 1           | 1           | 1                      | 1                     | 32 27399 UPRIGHT, LEFT                    |                   |  |
| 1           | 1           | 1           | 1                      | 1                     | 31 27398 UPRIGHT, RIGHT                   |                   |  |
| 1           | 1           | 1           | 1                      | 1                     | 30 035803-006 UPRIGHT FITTING,MACH.,L.H.  |                   |  |
| 1           | 1           | 1           | 1                      | 1                     | 29 035803-005 UPRIGHT FITTING,MACH.,R.H.  |                   |  |
| 1           | 1           | 1           | 1                      | 1                     | 28 035808-002 PANEL, REAR                 |                   |  |
|             |             |             |                        |                       | 27 DELETED                                |                   |  |
| 3           | 3           | 3           | 3                      | 3                     | 26 27443 BUSHING, GRADE WHEEL             |                   |  |
| 2           | 2           | 2           | 2                      | 2                     | 25 27551 WHEEL, GRADE                     |                   |  |
|             |             |             |                        |                       | 24 DELETED                                |                   |  |
| 1           | 1           | 1           | 1                      | 1                     | 23 036118-003 CARD CAGE ASSY, PCBA DRIVE  |                   |  |
| 2           | 2           | 2           | 2                      | 2                     | 22 27425 SUPPORT, GRADE, MACHINED         |                   |  |
| 2           | 2           | 2           | 2                      | 2                     | 21 035615-001 BUSHING, GRADE SUPPORT      |                   |  |
| 1           | 1           | 1           | 1                      | 1                     | 20 27424 BLOCK, GRADE NUT                 |                   |  |
| 2           | 2           | 2           | 2                      | 2                     | 19 27444 BUSHING, SHOULDER                |                   |  |
| 1           | 1           | 1           | 1                      | 1                     | 18 27410 MOTOR MOUNT                      |                   |  |
| 1           | 1           | 1           | 1                      | 1                     | 17 27069 BRACKET, ACTUATOR                |                   |  |
| 2           | 2           | 2           | 2                      | 2                     | 16 27068 BRACKET, ACTUATOR                |                   |  |
| 1           | 1           | 1           | 1                      | 1                     | 15 27430 BRACKET, TENSIONER               |                   |  |
| -           | -           | -           | -                      | -                     | 14 DELETED                                |                   |  |
| 1           | 1           | 1           | 1                      | 1                     | 13 27388 FLYWHEEL ASSEMBLY                | CLUBTRACK 510/612 |  |

DWG NO. 035602  
SH 2  
REV. AN

|            |  |  |  |        |               |                |              |
|------------|--|--|--|--------|---------------|----------------|--------------|
| PRODUCTION | CONFIDENTIAL & PROPRIETARY   |  |  | SIZE D | MODEL 510/612 | DWG NO. 035602 | REV AN       |
|            | THIS DOCUMENT IS THE PROPERTY OF STAIRMASTER SPORTS/MEDICAL PRODUCTS, INC. IT MAY NOT BE REPRODUCED IN WHOLE OR IN PART, PROVIDED TO THIRD PARTIES, OR USED FOR ANY PURPOSE OTHER THAN THE PERFORMANCE OF WORK FOR STAIRMASTER, WITHOUT WRITTEN AUTHORIZATION. ALL RIGHTS ARE RESERVED INCLUDING COPYRIGHTS. |  |  |        | SCALE 1/4     | SOURCE ACAD    | SHEET 2 OF 9 |



8 7 6 5 4 3 2 1

D  
C  
B  
A

D  
C  
B  
A

|      |      |      |      |      |      |             |             |                             |                        |                       |
|------|------|------|------|------|------|-------------|-------------|-----------------------------|------------------------|-----------------------|
| 2    | 2    | 2    | 2    | 2    | 2    | 153         | 27592       | WASHER, M8, SPLIT LOCK      |                        |                       |
| 2    | 2    | 2    | 2    | 2    | 2    | 152         | 27591       | WASHER, M8, FLAT            |                        |                       |
| 2    | 2    | 2    | 2    | 2    | 2    | 151         | 27590       | SCREW, M8                   |                        |                       |
| 2    | 2    | 2    | 2    | 2    | 2    | 150         | 27578       | WASHER, M6, SPLIT LOCK      | BLACK OXIDE            |                       |
| 1    | 1    | 1    | 1    | 1    | 1    | 149         | 27595       | PLATE, GRADE NUT BLOCK      |                        |                       |
|      |      |      |      |      |      | 148         | DELETED     |                             | BLACK OXIDE            |                       |
|      |      |      |      |      |      | 147         | DELETED     |                             |                        |                       |
|      |      |      |      |      |      | 146         | DELETED     |                             |                        |                       |
| 8    | 8    | 8    | 8    | 8    | 8    | 145         | 22027       | WASHER, SPLIT LOCK          | 1/4"                   |                       |
| 2    | 2    | 2    | 2    | 2    | 2    | 144         | 27565       | WASHER, FLAT                | M6, BLACK OXIDE        |                       |
| -    | -    | -    | -    | -    | -    | 143         | DELETED     |                             |                        |                       |
| -    | -    | -    | -    | -    | -    | 142         | DELETED     |                             |                        |                       |
| -    | -    | -    | -    | -    | -    | 141         | DELETED     |                             |                        |                       |
| 10   | 10   | 10   | 10   | 10   | 10   | 140         | 27583       | GUIDE, WIRE                 | 1.00 HIGH              |                       |
|      |      |      |      |      |      | 139         | DELETED     |                             |                        |                       |
| 1    | 1    | 1    | 1    | 1    | 1    | 138         | 040010-001  | WELDMENT, BRKT, UPRIGHT MNT |                        |                       |
| 1    | 1    | 1    | 1    | 1    | 1    | 137         | 040007-002  | BRACE, SIDERAIL, R.H.       |                        |                       |
| 1    | 1    | 1    | 1    | 1    | 1    | 136         | 040007-001  | BRACE, SIDERAIL, L.H.       |                        |                       |
| -006 | -005 | -004 | -003 | -002 | -001 | ITEM NUMBER | PART NUMBER | DESCRIPTION                 | MATERIAL SPECIFICATION | REFERENCE DESIGNATION |

DWG. NO. 035602  
SHEET 4  
REV. AN

|   |  |                |              |           |                  |                    |            |
|---|--|----------------|--------------|-----------|------------------|--------------------|------------|
| <b>PRODUCTION</b><br>DRAWING RELEASE STATUS | CONFIDENTIAL & PROPRIETARY<br>THIS DOCUMENT IS THE PROPERTY OF STAIRMASTER <sup>®</sup> SPORTS/MEDICAL PRODUCTS, INC.<br>IT MAY NOT BE REPRODUCED IN WHOLE OR IN PART, PROVIDED TO THIRD PARTIES, OR<br>USED FOR ANY PURPOSE OTHER THAN THE PERFORMANCE OF WORK FOR STAIRMASTER,<br>WITHOUT WRITTEN AUTHORIZATION. ALL RIGHTS ARE RESERVED INCLUDING COPYRIGHTS. |                |              | SIZE<br>D | MODEL<br>510/612 | DWG. NO.<br>035602 | REV.<br>AN |
|   | SCALE<br>1/4   | SOURCE<br>ACAD | SHEET 4 OF 9 |           |                  |                    |            |

DFORMATS-A SHT2 8 7 6 5 4 3 2 1



8 7 6 5 4 3 2 1

D

D

C

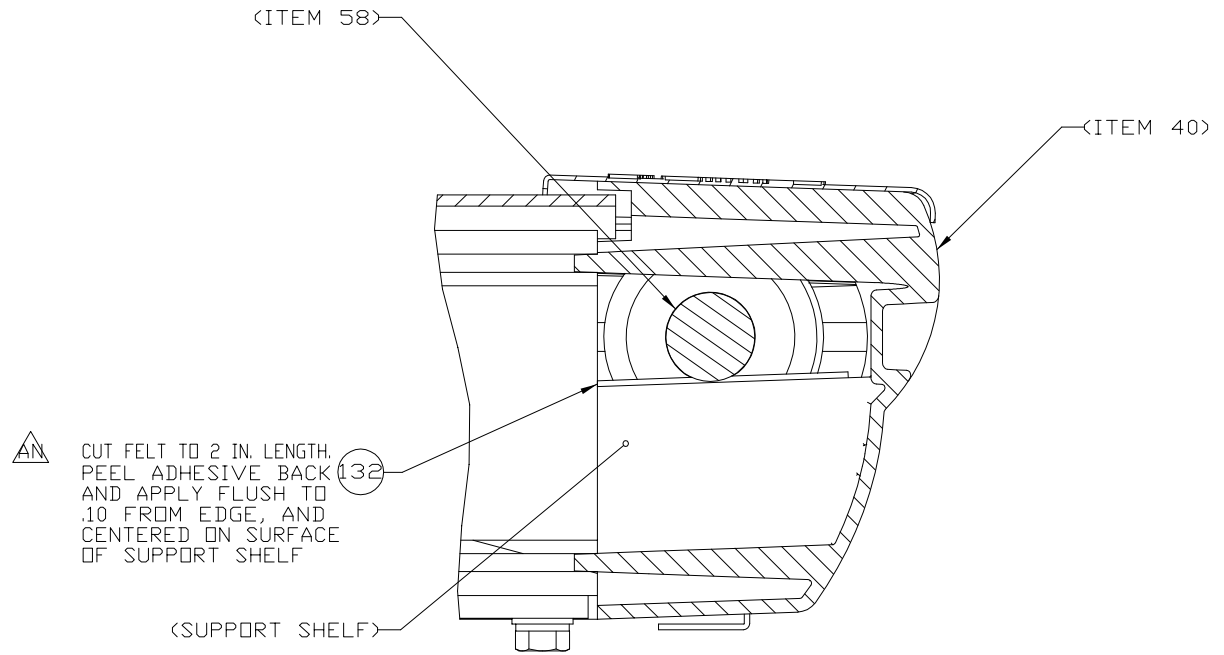
C

B

B

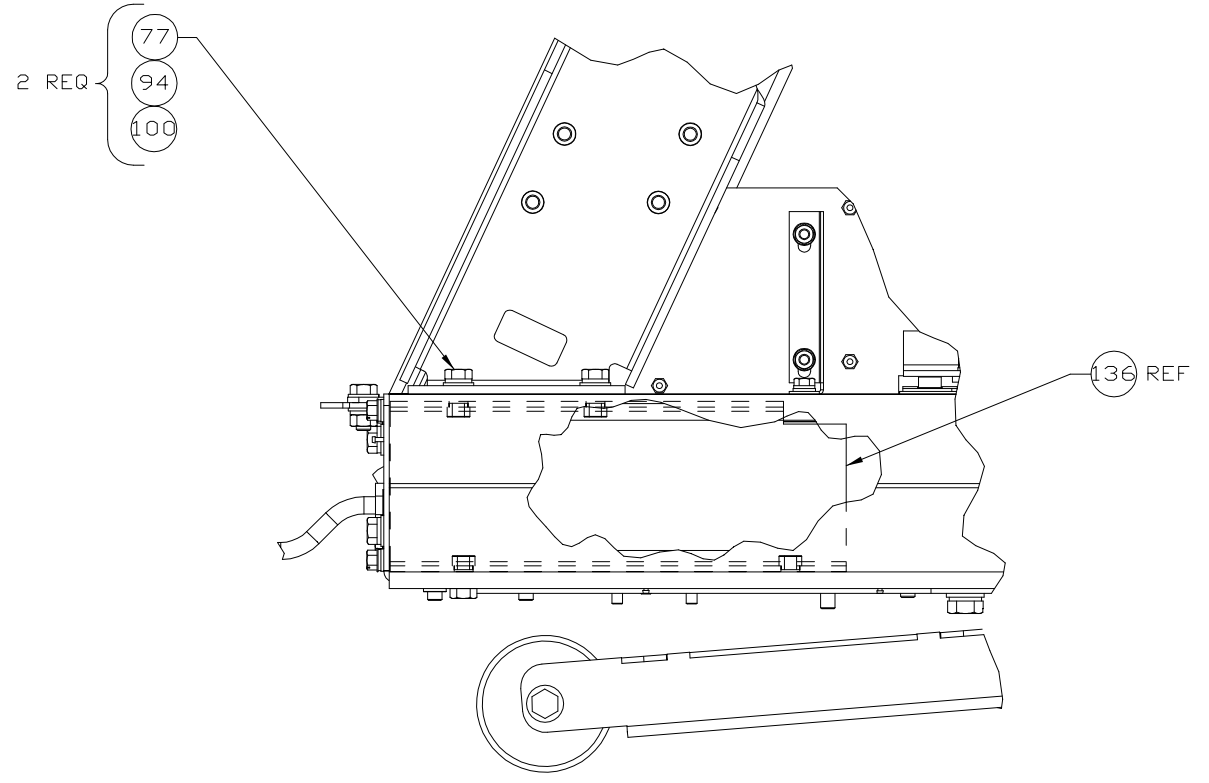
A

A



SECTION R-R  
SECTION R-R DETAIL  
APPLIES TO BOTH ITEM 39 AND 40

5B  
1

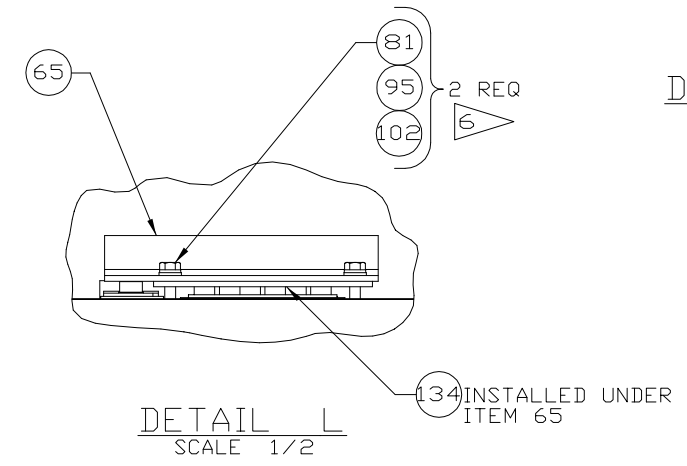
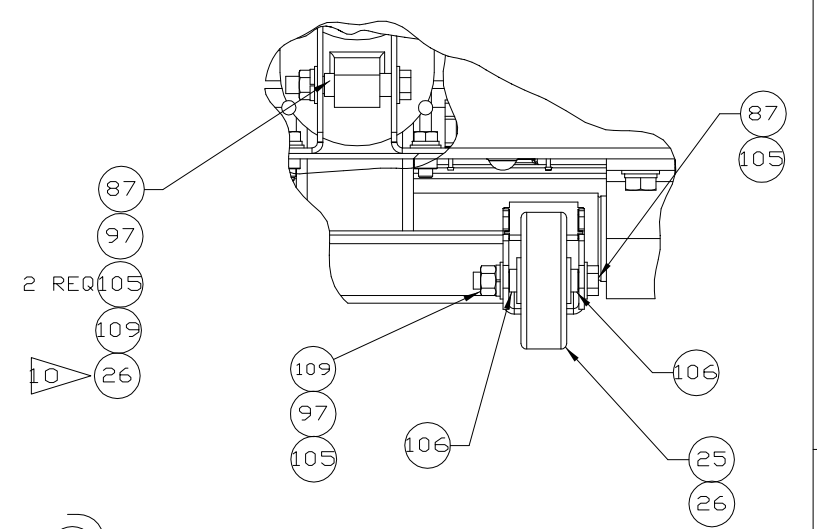
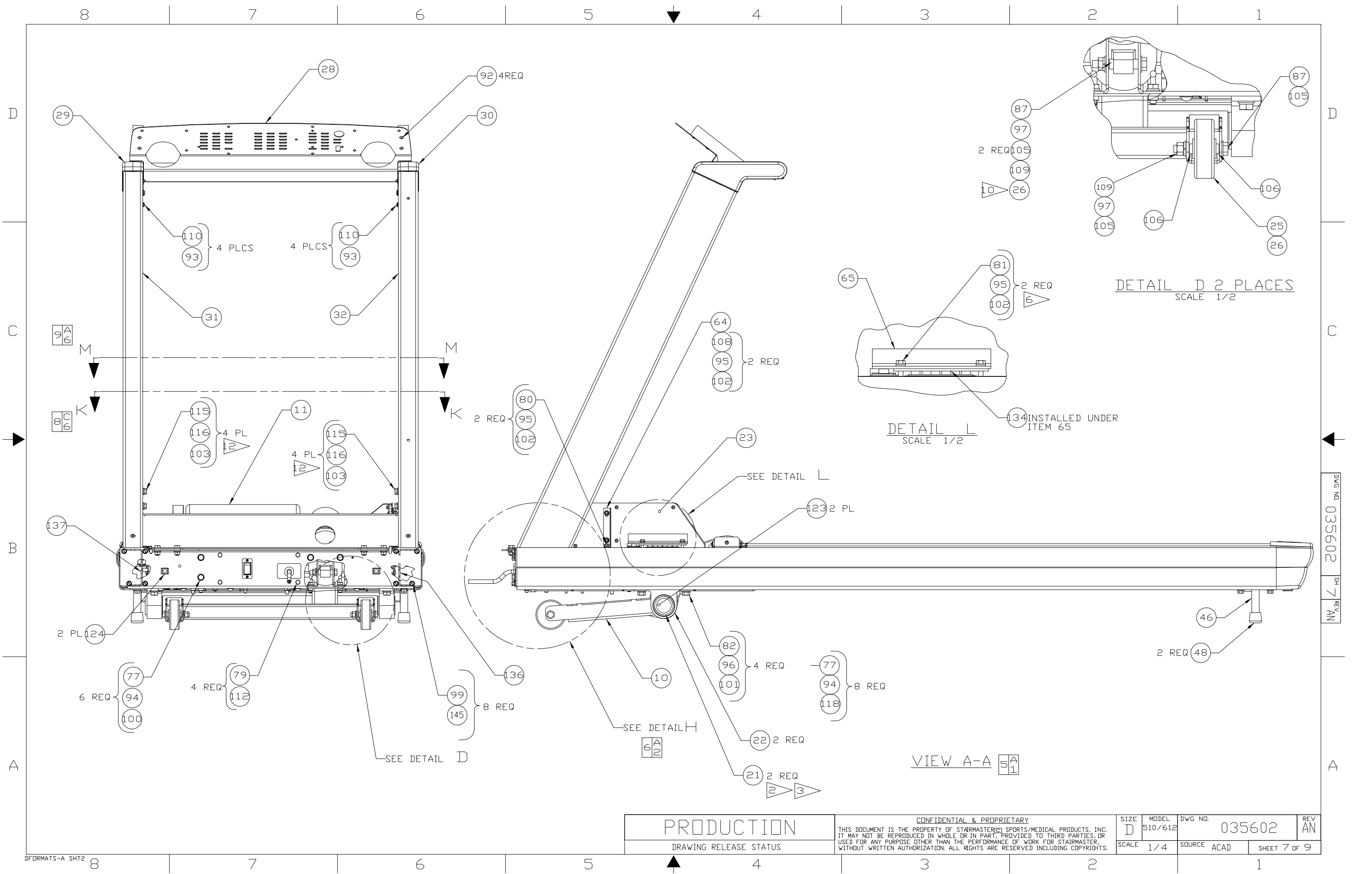


DETAIL H 2 PLACES  
ITEM 32 NOT SHOWN  
SCALE 1/2

7A  
5

DWG NO. 035602  
SHEET 6  
REV. AN

|                        |   |  |  |  |       |         |              |     |
|------------------------|---|--|--|--|-------|---------|--------------|-----|
| PRODUCTION             | CONFIDENTIAL & PROPRIETARY  |  |  |  | SIZE  | MODEL   | DWG NO.      | REV |
|                        | THIS DOCUMENT IS THE PROPERTY OF STAIRMASTER <sup>®</sup> SPORTS/MEDICAL PRODUCTS, INC. IT MAY NOT BE REPRODUCED IN WHOLE OR IN PART, PROVIDED TO THIRD PARTIES, OR USED FOR ANY PURPOSE OTHER THAN THE PERFORMANCE OF WORK FOR STAIRMASTER, WITHOUT WRITTEN AUTHORIZATION. ALL RIGHTS ARE RESERVED INCLUDING COPYRIGHTS. |  |  |  | D     | 510/612 | 035602       | AN  |
| DRAWING RELEASE STATUS |   |  |  |  | SCALE | SOURCE  | SHEET 6 OF 9 |     |
|                        |   |  |  |  | 1/1   | ACAD    |              |     |

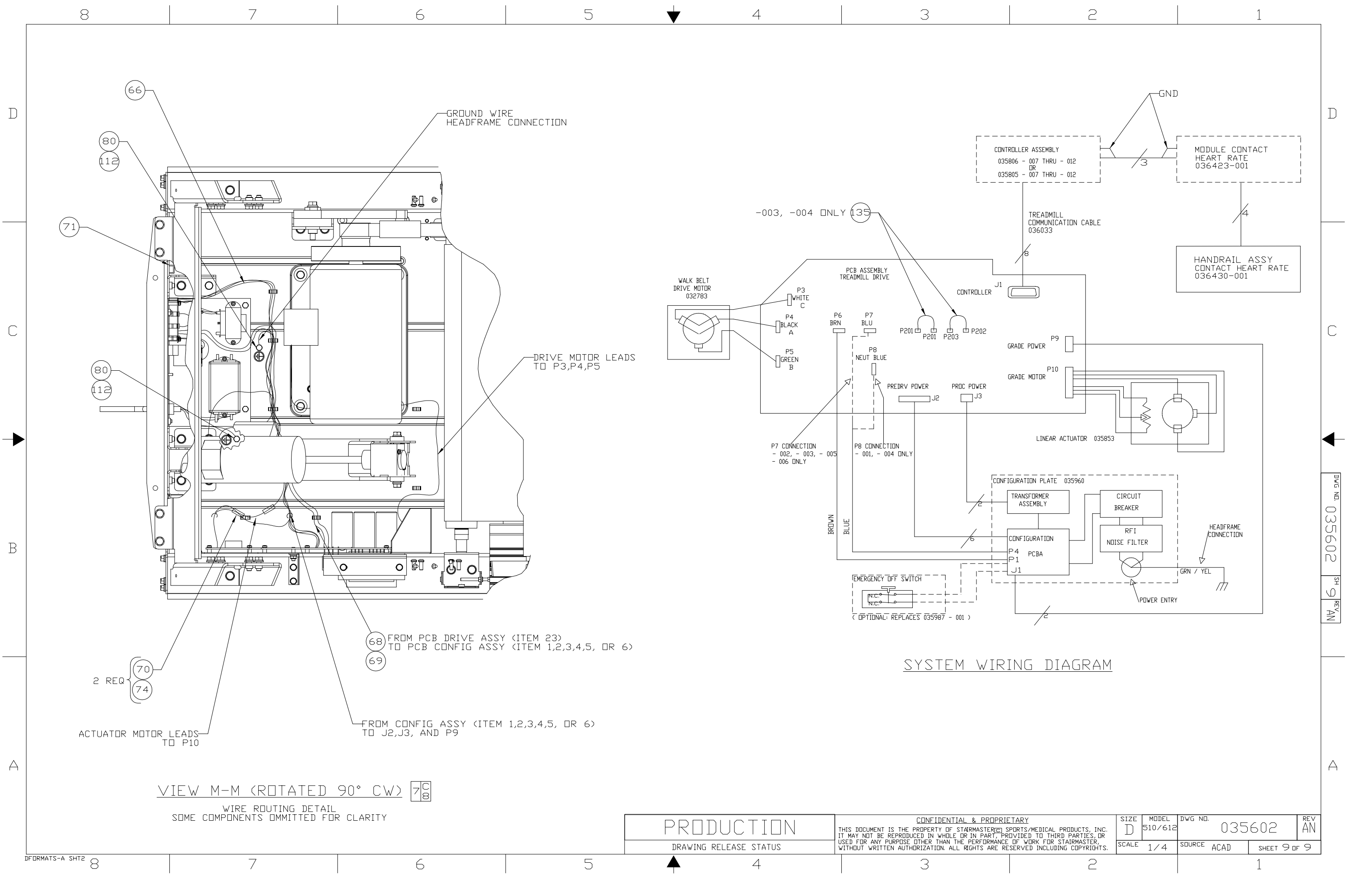


|   |  |  |                |              |                  |                  |                          |                  |
|---|--|--|----------------|--------------|------------------|------------------|--------------------------|------------------|
| <b>PRODUCTION</b><br>DRAWING RELEASE STATUS |  | CONFIDENTIAL & PROPRIETARY<br><small>THIS DOCUMENT IS THE PROPERTY OF STAIRMASTER® SPORTS/MEDICAL PRODUCTS, INC. IT MAY NOT BE REPRODUCED IN WHOLE OR IN PART, PROVIDED TO THIRD PARTIES, OR USED FOR ANY PURPOSE OTHER THAN THE PERFORMANCE OF WORK FOR STAIRMASTER, WITHOUT WRITTEN AUTHORIZATION. ALL RIGHTS ARE RESERVED INCLUDING COPYRIGHTS.</small> |                |              | SIZE<br><b>D</b> | MODEL<br>510/612 | DWG NO.<br><b>035602</b> | REV<br><b>AN</b> |
|   |  | SCALE<br>1/4   | SOURCE<br>ACAD | SHEET 7 OF 9 |                  |                  |                          |                  |

DWG NO. 035602  
 SH 7  
 REV AN







VIEW M-M (ROTATED 90° CW) 7/8  
 WIRE ROUTING DETAIL  
 SOME COMPONENTS OMITTED FOR CLARITY

SYSTEM WIRING DIAGRAM

|   |   |                |                               |                  |                  |                           |                  |
|---|---|----------------|-------------------------------|------------------|------------------|---------------------------|------------------|
| <b>PRODUCTION</b><br>DRAWING RELEASE STATUS | CONFIDENTIAL & PROPRIETARY<br>THIS DOCUMENT IS THE PROPERTY OF STAIRMASTER <sup>®</sup> SPORTS/MEDICAL PRODUCTS, INC. IT MAY NOT BE REPRODUCED IN WHOLE OR IN PART, PROVIDED TO THIRD PARTIES, OR USED FOR ANY PURPOSE OTHER THAN THE PERFORMANCE OF WORK FOR STAIRMASTER, WITHOUT WRITTEN AUTHORIZATION. ALL RIGHTS ARE RESERVED INCLUDING COPYRIGHTS. |                |                               | SIZE<br><b>D</b> | MODEL<br>510/612 | DWG. NO.<br><b>035602</b> | REV<br><b>AN</b> |
|   | SCALE<br>1/4  | SOURCE<br>ACAD | SHEET<br><b>9</b> OF <b>9</b> |                  |                  |                           |                  |

DWG. NO. 035602  
 SHEET 9 OF 9  
 REV. AN