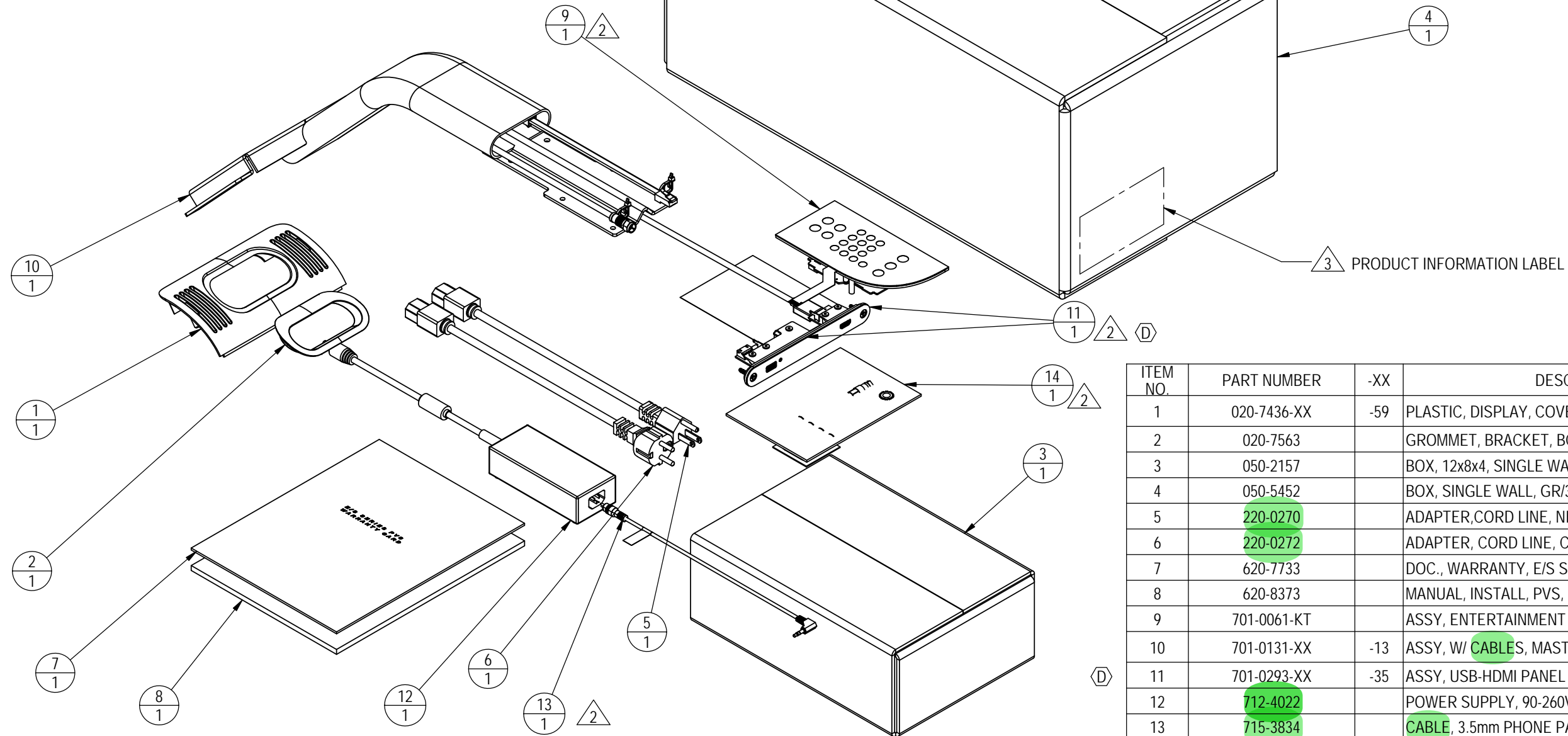


- NOTES:
- ALL ITEMS TO BE PACKAGED IN BOX 050-5452 FOR SHIPMENT IN SUCH A MANNER AS TO PREVENT THEM FROM BECOMING DAMAGED DURING SHIPPING, UNLESS OTHERWISE NOTED
 - PACKAGE ITEMS IN BOX 050-2157
 - APPLY BOX LABEL (QTY 4) WITH THE FOLLOWING INFORMATION:
 - MODEL: Kit, PVS BRKT W/CC & CBL, FC, GD3
 - P/N: 700-0354
 - BAR CODE FOR P/N
 - MANUFACTURING DATE
 - SOFTWARE VERSION
 - COLOR DESIGNATOR PER -XX AS SPECIFIED IN DOC 620-8222

REVISION HISTORY				
REV	DATE	DESCRIPTION	ECO	BY
A	10/9/2015	PRODUCTION RELEASE	15147	MMG
B	1/22/2016	ADD: 715-3834 (1)	15241	MMG
C	2/12/2016	REMOVE: 620-8172 (1); ADD: 620-8373 (1)	15246	MMG
D	6/14/2017	REMOVED: 701-0026-XX (1); ADDED: 701-0293-XX (1)	15729	ZDH



ITEM NO.	PART NUMBER	-XX	DESCRIPTION	QTY.
1	020-7436-XX	-59	PLASTIC, DISPLAY, COVER, ACCESS, PVS, BCS, GD3	1
2	020-7563		GROMMET, BRACKET, BCS, PVS, GD3	1
3	050-2157		BOX, 12x8x4, SINGLE WALL GR/38	1
4	050-5452		BOX, SINGLE WALL, GR/38, 600x320x230mm	1
5	220-0270		ADAPTER, CORD LINE, NEMA 5-15	1
6	220-0272		ADAPTER, CORD LINE, CEE 7/7	1
7	620-7733		DOC., WARRANTY, E/S SERIES PVS	1
8	620-8373		MANUAL, INSTALL, PVS, GD3	1
9	701-0061-KT		ASSY, ENTERTAINMENT INSERT, PVS	1
10	701-0131-XX	-13	ASSY, W/ CABLES, MAST, PVS, ST, GD3	1
11	701-0293-XX	-35	ASSY, USB-HDMI PANEL	1
12	712-4022		POWER SUPPLY, 90-260VAC/12VDC 5A MIN	1
13	715-3834		CABLE, 3.5mm PHONE PATCH	1
14	715-3922		KIT, MYE PVS NECK HW, E-SERIES	1

DOCUMENT STATUS:

NOTICE OF PROPRIETARY INFORMATION
 THIS DOCUMENT SHALL NOT BE REPRODUCED NOR SHALL THE INFORMATION CONTAINED HEREIN BE USED BY OR DISCLOSED TO OTHER EXCEPT AS EXPRESSLY AUTHORIZED BY CORE HEALTH & FITNESS, LLC.

CLASS OF WORK	UNLESS OTHERWISE SPECIFIED DIMS ARE IN mm. TOLERANCES FOR MEASURE OF LENGTH ARE:							ANGLES = ±2°		
	0.5 to 3	> 3 to 6	> 6 to 30	> 30 to 120	> 120 to 400	> 400 to 1000	> 1000 to 2000	> 2000		
FINE	±0.05	±0.05	±0.1	±0.15	±0.2	±0.3	±0.5	----		
MEDIUM	±0.1	±0.1	±0.2	±0.3	±0.5	±0.8	±1.2	±2		
COARSE	±0.2	±0.3	±0.5	±0.8	±1.2	±2	±3	±4		
VERY COARSE	----	±0.5	±1	±1.5	±2.5	±4	±6	±8		

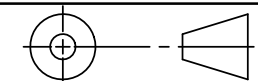
MATERIAL
SEE BOM

FINISH
N/A

VENDOR: N/A

P/N: N/A

THIRD ANGLE PROJECTION



DRAWN	INITIAL	DATE
CHECKED		
APPROVED		

CORE HEALTH & FITNESS, LLC

4400 NE 77th Ave., Suite 300
 Vancouver, WA 98662

CORE PART NO: 700-0354 REV: D

TITLE: Kit, PVS BRKT W/CC & CBL, FC, GD3

SCALE: 1:5 SHEET 1 OF 1 SHEET SIZE: B