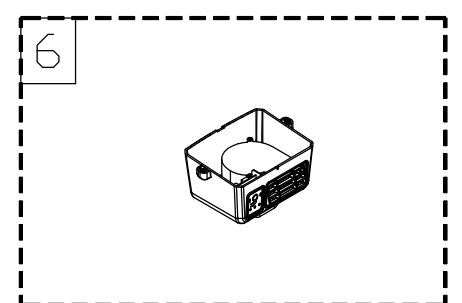
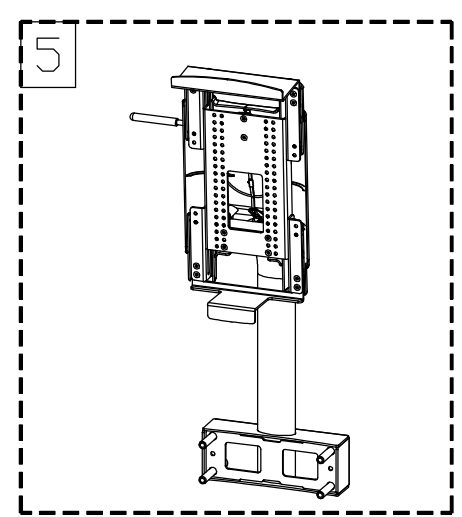
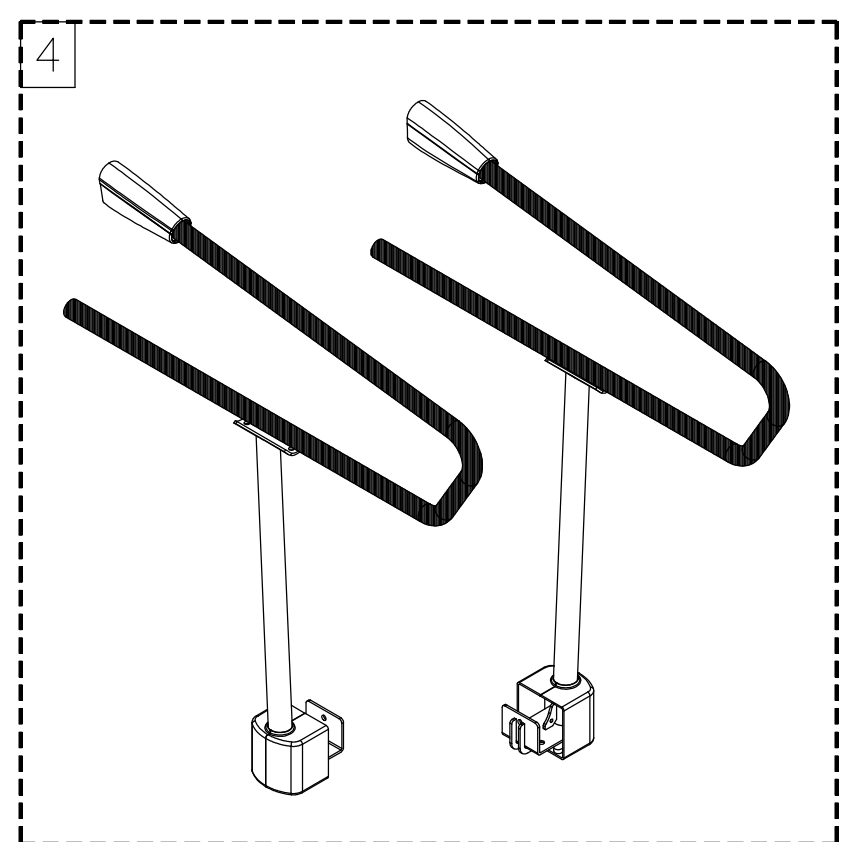
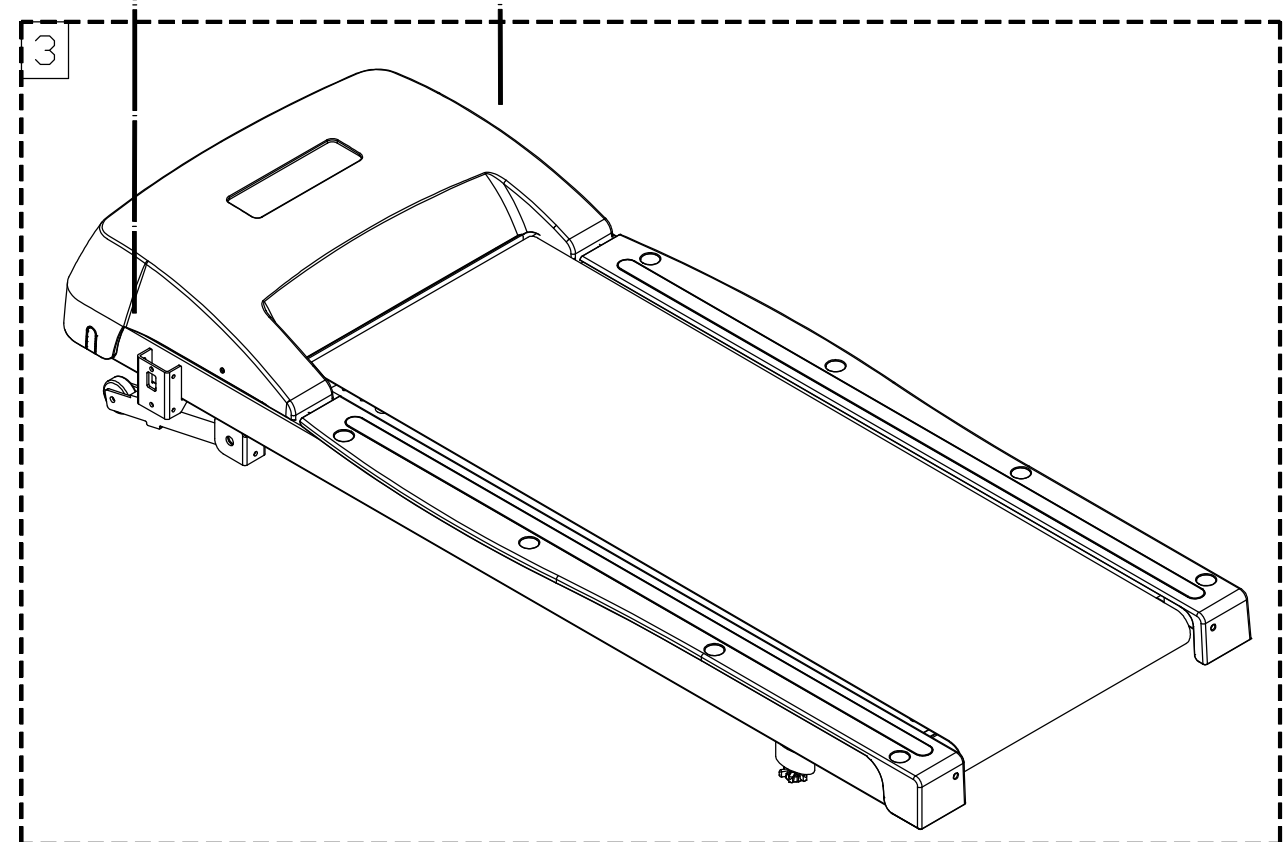
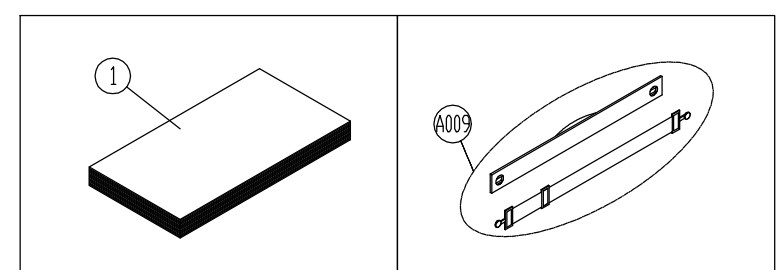
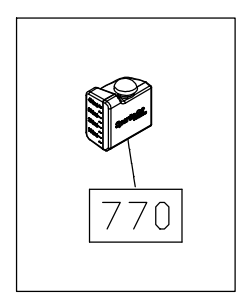
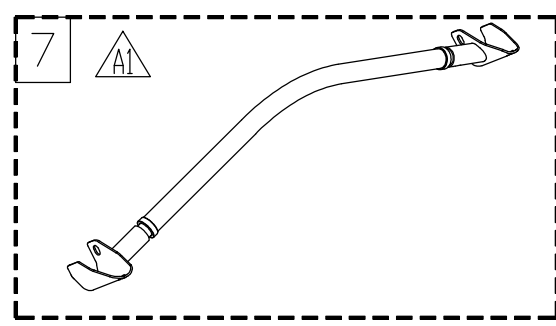
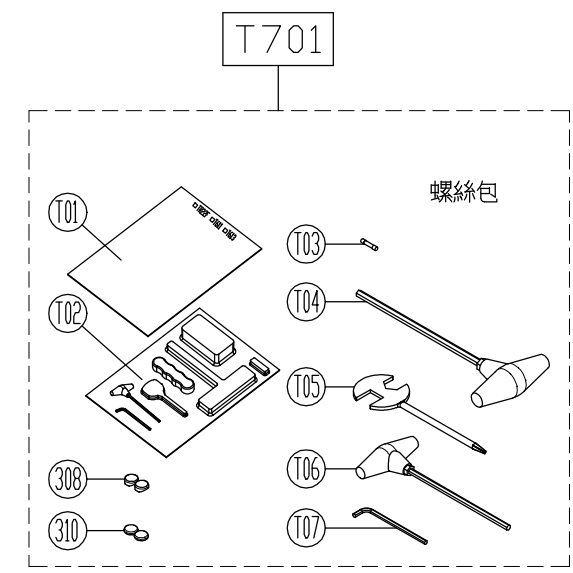
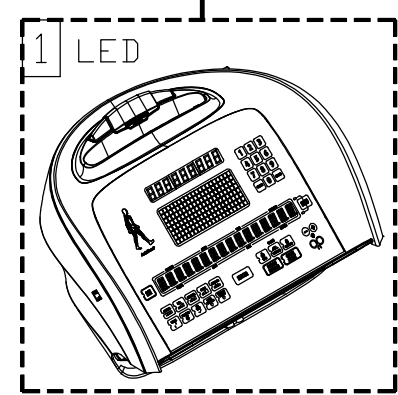
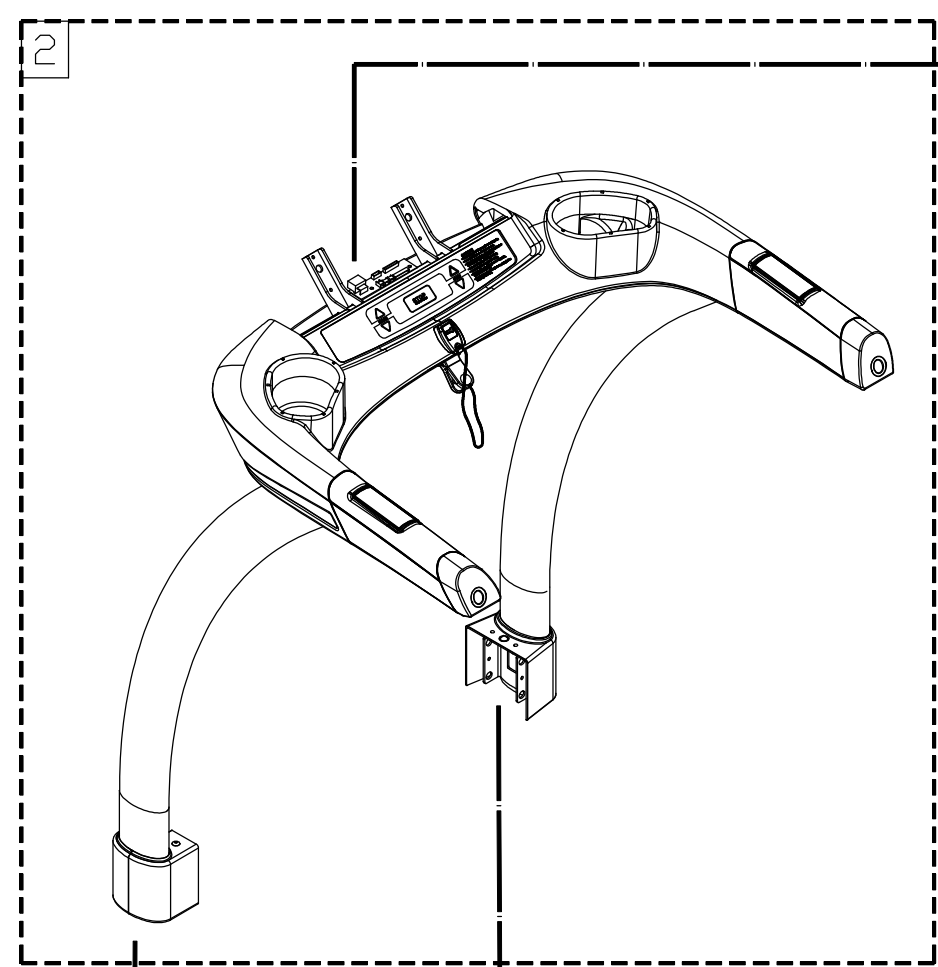


BBL	Description	QTY	Part Number	BBL	Description	QTY	Part Number
001	OWNER'S MANUAL	1	T615-001	284	LOWER HANDLE COVER - LEFT	1	T645-283
002	LUBE APPLICATOR TUBE	1	LUBE-02	285	SCREW - M/P (M4*L14)	4	002-210-015
003	LUBE - 4X50CC	1	LUBE-03	286	SCREW - M/P (M5*0.8*L12)	2	002-209-132
009	GREEN CAP OVERLAY	1	061-163-080	289	SCREW - M/P (M5*L25)	2	002-210-037
011	GREEN PORT OVERLAY	1	061-130-341	290	STICKER - ROUND	2	T645-287
013	STICKER - QR CODE	1	C575U-013	291	UPPER HANDLE COVER - RIGHT - NEW	1	017-030-047
014	PLASTIC RIVET	1	C521M-093A	292	LOWER HANDLE COVER - RIGHT	1	T645-275
015	SA WELL+ CAP	1	T645-015	300	PEDESTAL BASE COVER	2	T615-300
016	SCREW - M/P (M4*L8)	2	002-210-001	301	SCREW - M/P (M5*0.8*L12)	4	002-209-132
017	RUBBER CUSHION	1	T645-017	302	STICKER - LEFT	1	000-063-046
018	RUBBER CUSHION	1	C575U-018	303	SCREW - M/H (M8*P1.25*L20)	8	002-203-065
019	SCREW - M/P (M4*L12)	6	002-210-003	305	SCREW HOLE CAP	1	C575U-314
020	SCREW CLIP - (M4-L16)	2	1250-111	306	WASHER - S (D18*D8.5*T2.0)	2	003-304-071
022	SCREW - M/P (M4*L12)	3	002-210-003	307	SCREW - M/H (M8*P1.25*L20)	4	002-203-065
023	WIRE CLIP - (1/4")	3	000-076-430	308	SCREW HEAD CAP	2	T645-325
043	WIRE - HTR BOARD TO DISPLAY	1	C575U-043	309	WASHER - S (D18*D8.5*T2.0*19T)	10	003-304-063
044	HTR RECEIVER BOARD	1	C575U-044	310	SCREW HEAD CAP	2	T645-322
046	KEY CUSHION	20	032-630-280	312	TWIST TIE	1	100-076-201
050	PROGRAM IC CHIP	1	8300-EP	313	STICKER - CABLE FEED	1	000-063-110
097	SCREW - P (M3*L8)	19	002-212-042	314	SCREW - M/H (M5*P0.8*L12)	4	002-203-050
098	WIRE - DISPLAY TO BRIDGE	1	T615-098	400	STICKER - MADE IN TAIWAN	1	000-063-030
099	WIRE - DISPLAY TO PEDESTAL	1	T615-099	403	STICKER - SPORTSART	1	T615-403
147	SCREW - M/P (M4*L14)	4	002-210-015	404	MOTOR COVER	1	016-530-015
154	SCREW - P (M4*L8)	2	002-212-070	406	SCREW - M/P (M4*L12)	4	002-210-040
159	STICKER - ROUND	1	T655-159	407	DRIVE BELT - FLEXONIC (P619J10)	1	T611-120
250	CUP HOLDER RING - LEFT	1	T655-253	408	WASHER - F (D17*D8.3*T2)	4	003-301-038
253	CUP HOLDER RING - RIGHT	1	T655-250	409	WASHER - SP (M8)	4	003-302-010
254	STICKER - SAFETY KEY	1	062-663-020	410	SCREW - B/H (M8*P1.25*L35)	4	002-230-831
256	SCREW - P (M4*P0.7*L10)	2	002-211-224	411A	OPTICAL SWITCH BRACKET	1	3106-43
257	PLASTIC SLEEVE (D8.9*D5.1*5)	2	010-541-013	411B	OPTICAL SWITCH BOARD	1	3007-28
258	SAFETY KEY BRACKET	1	051-510-270	411C	SPEED SENSOR WHEEL	1	030-753-013
259	SCREW - M/P (M4*L10)	2	002-210-002	411R	STICKER - WARNING	1	000-063-050
260	SAFETY KEY	1	T650-41	412	GASKET - (D13*0.25-0.35)	4	053-530-320
261	ZIP TIE	10	000-076-241	427	SCREW - P (M5*0.8*L12)	4	002-211-094
262	STICKER - HANDLEBAR	1	017-063-200	428	SCREW - P (M5*0.8*L12)	1	002-211-094
263	SCREW - M/P (M5*0.8*L8)	1	002-209-130	429	WIRE CLIP - (1/4")	1	000-076-430
264	CABLE BRACKET	1	TR33-16	431	STICKER - LIVE WIRE	1	000-063-005
265	STICKER - ALIGNMENT	2	017-063-120	432	STICKER - POWER SWITCH	1	000-063-001
266	SCREW - M/P (M5*P0.8*L20)	2	002-211-264	433	STICKER - GROUND WIRE	1	000-063-004
266R	WASHER - F (D13*D6.4-6.5*T1.0)	2	003-301-066	434	STICKER - GROUND WIRE	1	000-063-002
266S	WASHER - R (D15*D5.8*T2)	2	003-308-012	437	STICKER - FUSE 15A 110V	1	000-063-659
267	WATER GUARD	1	T635-305	438	SCREW - P (M5*0.8*L12)	2	002-211-094
268	PLASTIC SLEEVE (D9*D5.1*L8)	2	030-141-013	439	WASHER - SP (M5)	2	C521M-167
270	TAPE - SINGLE SIDED	4	000-065-191	440	WASHER - S (BW5 3/16")	2	003-304-050
271	SCREW INSERT	2	000-076-820	441	SCREW - P (M4*P0.7*L8)	2	002-211-077
273	COWLING STICKER - RIGHT	1	T645-265	450	VR ASSEMBLY	1	T611-158
274	SCREW - M/P (M5*0.8*L12)	3	002-209-132	463	ELEVATION FRAME	1	116-550-15K
275	SCREW - M/P (M4*L14)	14	002-210-015	464	TRANSPORT WHEEL	2	805P-57
276	STICKER	1	062-263-080	465	COTTER PIN - (3/32*3/4)	2	T615-465
277	COWLING STICKER - LEFT	1	017-063-051	467	SNAP RING - (STW-16)	4	004-401-003
278	UPPER HANDLE COVER - LEFT - NEW	1	017-030-037	468	BUSHING	4	T615-468

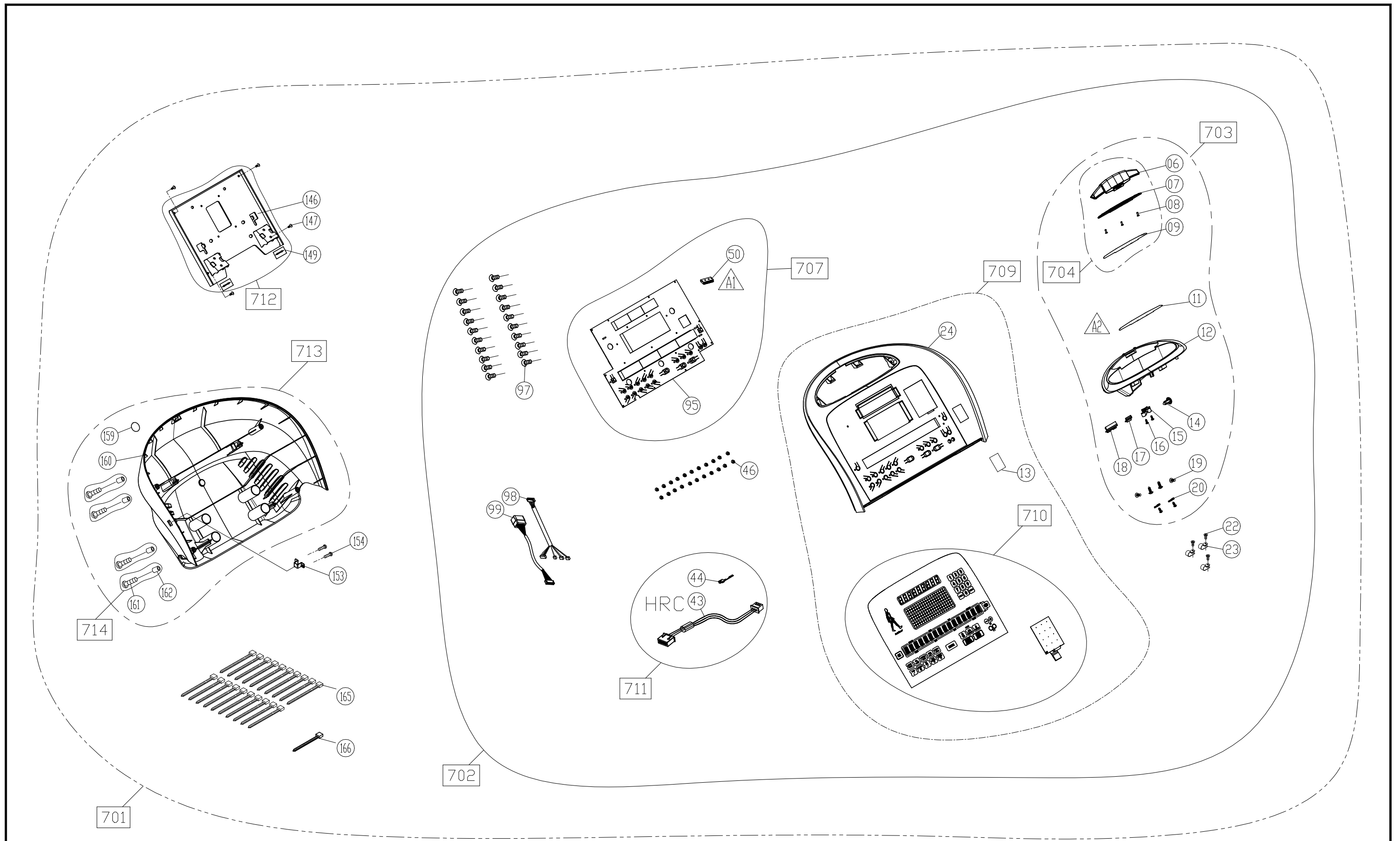
BBL	Description	QTY	Part Number	BBL	Description	QTY	Part Number
469	INCLINE HINGE PIN - (D16*L50)	2	016-513-030	548	SCREW - P (M5*0.8*L12)	2	002-211-094
470	SCREW - P (M5*P0.8*L10)	2	002-211-253	550	LUBE TUBE	1	100-030-791
471	DRIVE BELT COVER	1	116-530-06G	551	COPPER BEAD	1	T655-509R
478	SCREW - P (M5*P0.8*L10)	3	002-211-253	555	STICKER - AUTO LUBE	1	T655-512
479	STOPPER	1	131-910-151	556	SCREW - P (M4*P0.7*L10)	2	002-211-224
480	INCLINE CUSHION	1	031-931-013	557	WASHER - F (D8*D4*T1.0)	2	003-301-017
481	SCREW - P (M5*P0.8*L10)	2	002-211-253	558	PLASTIC DUST COVER	1	T655-515
482	SCREW - B/H (M6*P1.0*L12)	6	002-205-612	559	VR MOTOR BRACKET	1	T655-516
490	TAPE - FOAM - DOUBLE SIDED	6	000-065-143	562	VR MOTOR	1	165-851-031
491	STICKER - SPORTSART	2	000-063-820	563	SCREW - P (M4*P0.7*L10)	3	002-211-224
492	HEX GROMMET	4	001-107-108	564	SCREW - P (M3.5*6)	4	002-212-060
493	LEVELER STAR NUT	2	032-601-030	565	AUTO LUBE BOARD - V 3.0	1	T655-520
494	LEVELER FOOT - (M10*P1.5)	2	032-653-050	567	SCREW - P (M4*P0.7*L10)	2	002-211-224
495	STICKER - MODEL NUMBER	2	T615-495	572	SCREW - P (M6*P1.0*L20)	1	002-213-035
496	TAPE - FOAM - SINGLE SIDED	2	000-065-137	573	PLASTIC SPACER	1	011-842-010
497	CLIP NUT - METAL - (M5*0.8)	8	TR21-109	574	NUT - H/N (M6*P1.0*6 )	1	001-101-071
498	WASHER - F (D17*D8*T1.5)	2	003-301-024	575	ZIP TIE	2	000-076-240
499	SCREW - B/H (M8*P1.25*L70)	2	002-205-097	576	LUBE IMPACT STICK	1	T655-531
500	FOAM STRIP	6	TR21-96	579	SCREW - P (M5*0.8*L12)	3	002-211-094
501	LANDING STRIP BUSHING	8	016-330-061	580	SCREW - P (M5*P0.8*L25)	2	002-211-258
503	SCREW - M/P (M5*0.8*L12)	8	002-209-132	581	NUT - H/N (M5*P0.8)	2	001-101-060
504	SCREW COVER - BLACK	6	TR21-99	582	PLASTIC SPACER	2	011-842-010
505	SCREW COVER - GREEN	2	T615-505	701	DISPLAY ASSEMBLY - COMPLETE	1	T615-701
508	CROSSBAR CUSHION	2	TR21-112	702	DISPLAY ASSEMBLY - FRONT	1	T615-702
510	SCREW - B/H (M5*P0.8*L10)	8	002-205-512	703	ENTERTAINMENT CAP	1	T615-703
511	MYFLEX CUSHION	3	T2.00F-185	704	ENTERTAINMENT FLIP TOP	1	161-191-040
512	CROSSBAR	1	T611-203	707	DISPLAY CONTROL BOARD	1	T615-707
513	CROSSBAR CUSHION - CENTER	2	T645-591	709	DISPLAY FRONT & OVERLAY	1	T615-709
515R	STICKER - LUBE BLOCKER	1	064-263-041	710	DISPLAY OVERLAY (2 PC)	1	T615-710
516	O-RING - FRONT	2	062-530-013	710.1	NO 900MHZ OVERLAY	1	061-163-120
517	DECK BUSHING	2	062-553-021	711	HTR RECEIVER BOARD & WIRE	1	C575U-711
518	SCREW - B/H (M8*P1.25*L40)	2	002-202-041	712	DISPLAY BRACKET	1	T655-712
519	STICKER - ALIGNMENT	2	000-063-101	713	DISPLAY BACK PLASTIC	1	T655-713
520	WALK DECK	1	T615-520	714	SCREW & BUSHING	4	C575U-714
522	SCREW - B/H (M8*P1.25*L40)	2	002-202-036	730	COWLING ASSEMBLY - COMPLETE	1	161-191-300
523	DECK BUSHING	2	016-353-012	731	UPPER COWLING ASSEMBLY	1	161-191-310
524	O-RING - FRONT	2	062-530-013	732	UPPER COWLING	1	T615-732
526	SCREW - P/M (M4*L16)	4	002-210-013	733	KEYPAD ASSEMBLY & BRIDGE BOARD	1	T615-733
527	FINGER GUARD	2	T652-138B	733A	KEYPAD OVERLAY & KEYPAD - NEW PLUG	1	161-191-331
528	SCREW - P (M5*0.8*L12)	4	002-211-094	734	SAFETY KEY BOARD ASSEMBLY	1	T615-734
530	STICKER - GROUND WIRE	1	000-063-002	735	LOWER COWLING ASSEMBLY	1	T615-735
531	SCREW - P (M5*0.8*L12)	3	002-211-094	737A	HANDLEBAR END CAP - LEFT - NEW	1	165-891-361
532	WIRE CLIP - (5/16")	3	000-076-440	738	HANDLEBAR & ENDCAP - LEFT - NEW	1	165-891-470
533	SCREW - B/H (M6*P1.0*L30)	2	002-205-631	739	HANDLEBAR & ENDCAP - RIGHT - NEW	1	165-891-500
534	WASHER - F (D12.7*D6.8*T1.0)	2	003-301-031	740A	HANDLEBAR END CAP - RIGHT - NEW	1	165-891-371
542	SCREW - P (M5*P0.8*L10)	2	002-211-253	741	HANDLEBAR FRAME	1	T615-741
543	SCREW - B/H (M6*P1.0*L20)	1	002-205-621	742	BRIDGE BOARD ASSEMBLY - OLD	1	161-191-340
543R	BUSHING	1	059-113-011	742A	BRIDGE BOARD ASSEMBLY - NEW	1	161-191-341
544	FINGER GUARD	1	161-110-310	743	PEDESTAL - LEFT	1	T615-743
546	WIRE - OPTIC TO DRIVE BOARD	1	C570R-96	744	PEDESTAL - RIGHT	1	T615-744
547	AUTO LUBE BRACKET	1	065-851-013	748	UPPER COVERS & ENDCAPS - NEW	1	165-891-485

BBL	Description	QTY	Part Number	BBL	Description	QTY	Part Number
758	MOTOR COVER ASSEMBLY	1	T615-758	A18	POWER CORD - 110V (8 FT)	1	6300-66
759	VR MOTOR BRACKET	1	T645-759	A18.1	POWER CORD - 110V (12 FT)	1	6300-66B
760	MOTOR COVER ASSEMBLY	1	161-191-600	A21	COIL - GREEN	1	TR12F-107
761	DC MOTOR - 90V 3.0HP	1	160-691-330	A23	EMI FILTER - 110V	1	T652-056
761.1	MOTOR BRUSH - PAIR	1	3100-51A	A24	WIRE - SWITCH TO FILTER - L	1	TR12F-106
764	MOTOR HARDWARE	4	T615-764	A25	WIRE - SWITCH TO FILTER - N	1	TR12F-108
765	INCLINE MOTOR	1	T611-428	A26	WIRE - FILTER GROUND	1	T652-063
767	INCLINE SET PIN	1	TR33-45	D02	LONG HANDRAIL LOWER - LEFT	1	T655M-D07
769	LUBE BOTTLE & TUBE	1	T655-769	D03	SCREW - M/H (M5*P0.8*L12)	6	002-203-050
770	LUBE BOTTLE - 400ML	1	T645-770	D04	STICKER - LEFT	1	000-063-046
771	LUBE BOTTLE PUMP	1	T655-771	D05	SCREW - M/P (M4*L16 D8.5)	6	002-210-004
773	AUTO LUBE MOTOR	1	T655-773	D06	END CAP	2	803-06
774A	INCLINE MOTOR SET PIN	1	TR33-33	D09	WASHER - (D20*D7*T2.0)	4	103-305-010
775	POWER SWITCH BRACKET	1	T615-775	D10	SCREW - M/H (M6*P1.0*L16)	4	002-203-021
777	ELEVATION FRAME	1	T615-777	D11	HANDRAIL POST	2	116-550-51K
778	WHEEL AXLE ASSEMBLY	2	163-291-780	D14	SCREW - M/H (M10*P1.5*L25)	2	002-203-072
779	INCLINE HINGE PIN ASSEMBLY	2	T610-37	D17	WASHER - F (D17*D8.3*T1)	4	003-301-044
781	BELT ALINGMENT BRACKET	2	T655-777	D18	SCREW - B/H (M8*P1.25*L20)	4	002-205-820
783	MAIN FRAME	1	T615-783	D19	PEDESTAL SIDE COVER - LEFT	2	T655M-D21
784	LEVELER FOOT	2	G572U-429	D20	PEDESTAL SIDE COVER - RIGHT	2	T655M-D20
785	ALINGMENT SCREW	2	163-291-850	D21	SCREW - M/H (M5*P0.8*L12)	4	002-203-050
786	INCLINE CUSHION ASSEMBLY	1	1210-55	D23	LONG HANDRAIL LOWER - RIGHT	1	T655M-D02
787	CROSSBAR - FRONT	1	T615-787	D24	STICKER - RIGHT	1	000-063-047
788	CROSSBAR - CENTER A	1	T615-788	D26	WASHER - F (D13*D6*t2.0)	2	003-301-045
789	CROSSBAR - CENTER B	1	TR21-114	D27	SUPPORT BRACKET - UPPER	2	T635A-D27
790	CROSSBAR - REAR	1	TR21-117	D28	SCREW - M/P (M4*L12)	4	002-210-003
791	LANDING STRIP - LEFT	1	T615-791	D29	SUPPORT BRACKET - LOWER	2	T635A-D29
792	LANDING STRIP - RIGHT	1	T615-792	D30	SCREW - P (M4*P0.7*L8 )	4	002-211-223
793	WALK BELT	1	T611-426	D31	SCREW - P (M6*L6)	2	002-211-131
794	FRONT ROLLER	1	T615-794	D401	HANDRAIL - LEFT	1	T635A-D401
795	REAR ROLLER	1	T615-795	D402	HANDRAIL - RIGHT	1	T635A-D402
796	WALK DECK & FINGER GUARD	1	T615-796	D405	HANDRAIL ASSEMBLY - LEFT	1	163-291-050
797	DECK BOLT ASSEMBLY - REAR	2	T611-444	D406	HANDRAIL ASSEMBLY - RIGHT	1	163-291-060
798	DECK BOLT ASSEMBLY - FRONT	2	T611-443	D407	HANDRAIL ASSEMBLY - COMPLETE	1	163-291-070
799	EMI FILTER - 110V	1	T652-418	D408A	LONG HANDRAIL UPPER - LEFT - NEW	1	165-291-693
A02	SAFETY KEY BOARD	1	061-820-021	D409A	LONG HANDRAIL UPPER - RIGHT - NEW	1	165-291-703
A03	WIRE - PEDESTAL TO BRIDGE	1	T652-224	D411	HANDRAIL FRONT & REAR ASSEMBLY - NEW	1	165-891-495
A04	BRIDGE BOARD	1	T652-213	T701	HARDWARE KIT	1	T615-T701
A04A	BRIDGE BOARD - NEW	1	165-220-032				
A05	TRANSFORMER - 110V	1	T611-137				
A08	WIRE - DRIVE TO PEDESTAL	1	061-127-150				
A09	POLAR HEART RATE STRAP	1	3100-03A				
A10R	WIRE - DRIVE TO THERMAL SENSOR	1	6300-57				
A10S	WIRE - SPEED SENSOR TO DRIVE	1	3100-53				
A11	DRIVE BOARD - 110V	1	TR21-59				
A12	WIRE - SWITCH TO FUSE HOLDER	1	TR33-75				
A13	FUSE HOLDER - NEW STYLE	1	T645-425				
A14	FUSE - 15A 110V	1	F15F-01				
A15	WIRE - FILTER TO DRIVE BOARD	1	T652-055				
A16	ON/OFF SWITCH	1	T655-427				
A17	POWER CORD INLET	1	T645-430				

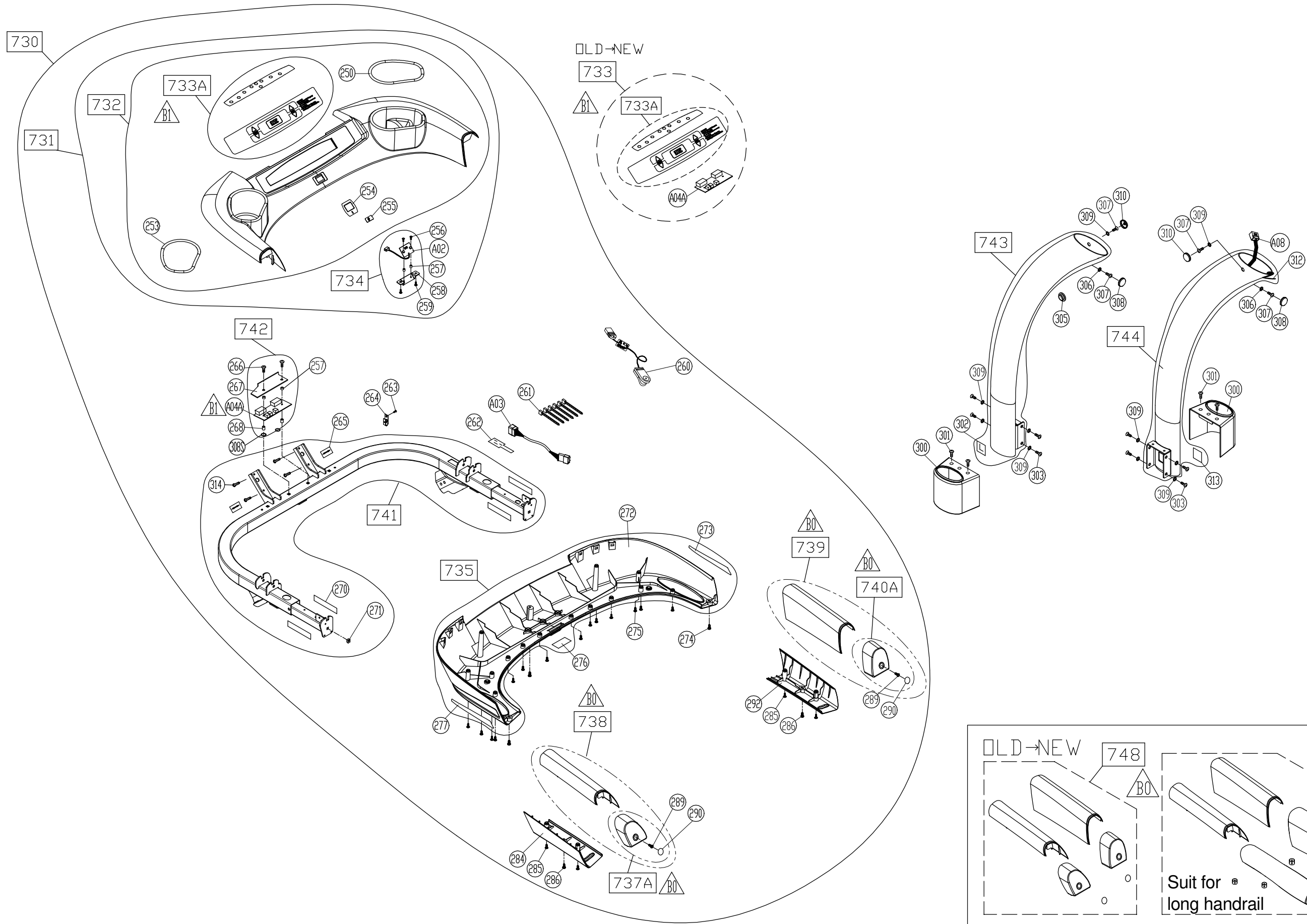
No.	Diagram	Tool Needed
1	TBB-F104B	
2	TBB-F104C	
3	TBB-F104D	
4	TBB-F103D	OPTIONS
5	TBK-F101G	OPTIONS
6	TBA-F102L	OPTIONS
7	TBB-F103E	OPTIONS



CHANGE DATE	CHANGE DESCRIPTION	CHANGE NO.	NAME	 RESTRICTED USAGE , PLEASE DON'T FORWARD TO ANYONE WHO ISN'T AUTHORIZED	DRAWN BY	UNITS	MM	SALES BLOW UP DIAGRAM	DIAGRAM NO.	TBB-F104A-A	
2016.05.04	A1 新增選配項目#7 中央橫扶手組		侯志緯		VERIFIED BY	QTY	1				T615
2016.12.20	A2 更正選配風扇組圖號為 TBA-F102L		蘇天賜			VERSION	A2			MODEL	
						RATIO	1:12				



CHANGE DATE	CHANGE DESCRIPTION	CHANGE NO.	NAME	 RESTRICTED USAGE , PLEASE DON'T FORWARD TO ANYONE WHO ISNT AUTHORIZED	DRAWN BY	UNITS	MM	SALES BLOW UP DIAGRAM	DIAGRAM NO.	TBB-F104B-A		
2014.11.20	A1 增加 (167)(168)(169)(170) ;修改 (50)程式圖示	02-20141127M	尤淑芬			QTY	1					T615-LED
2015.01.08	A2 取消 (167)(168)(169)(170)		尤淑芬			VERSION	A2		XX		MODEL	
2016.09.06	A2 (04)(49) 改不單寄		尤淑芬			RATIO	1:10					



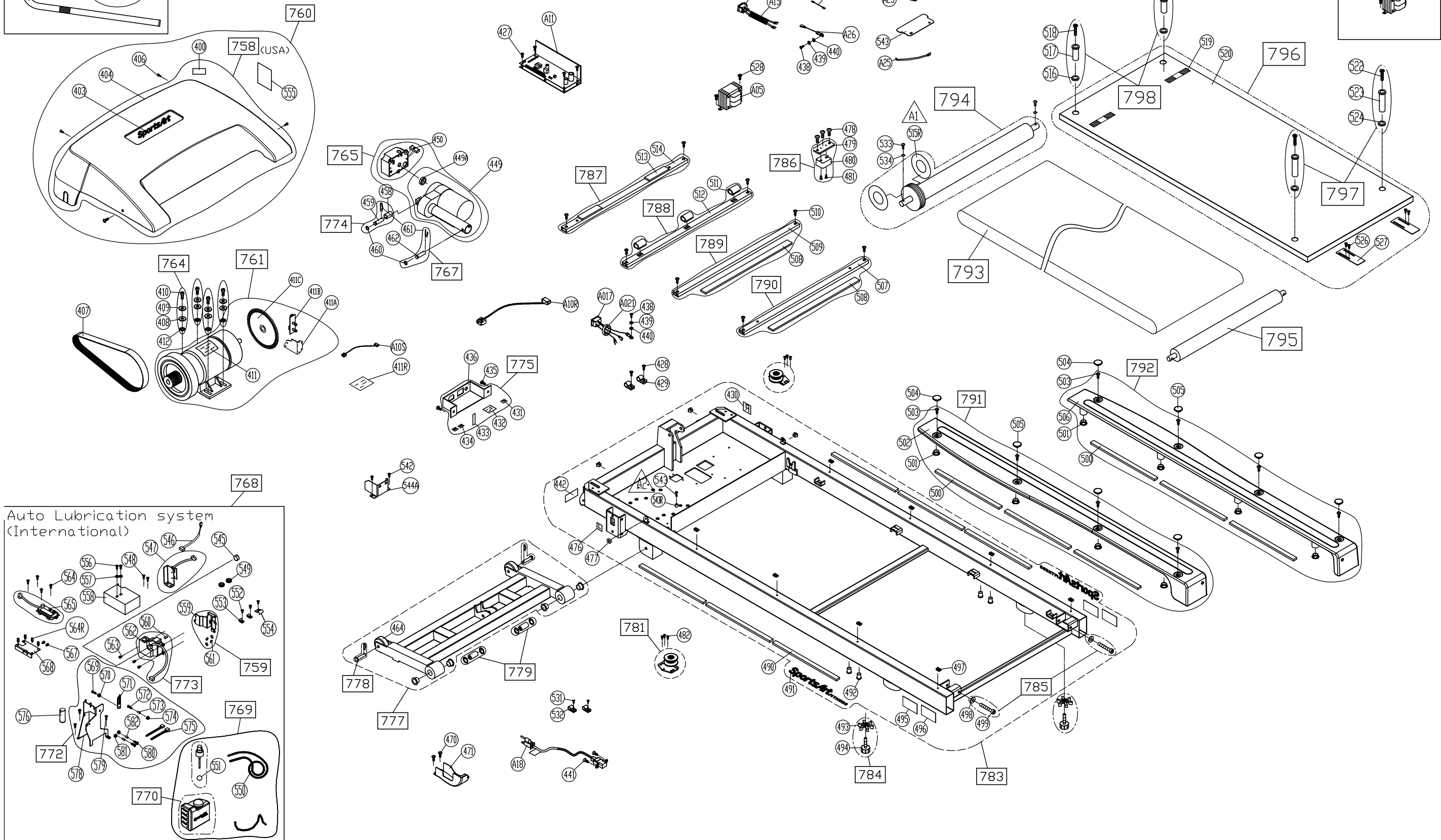
CHANGE DATE	CHANGE DESCRIPTION	CHANGE NO.	NAME	SPORTSART FITNESS	DRAWN BY	UNITS	MM	SALES BLOW UP DIAGRAM	DIAGRAM NO.	TBB-F104C-B
2015.09.30	△B0 扶手護蓋補強, 舊換新須搭配寄整組 [748] [D411]; 並新增 [738] [739]; [737]改[737A], [740]改[740A]	02-20150619M	楊淵堯	RESTRICTED USAGE, PLEASE DON'T FORWARD TO ANYONE WHO ISN'T AUTHORIZED	VERIFIED BY	QTY	1	XXX	MODEL	T615
2018.06.27	△B1 軟性按鍵改變, 新品需搭配新橋接小板 (A04A), 故修改 [733], 新增 [733A]	02-20170816T	黃柏勳			VERSION	B1			
						RATIO	1:12			



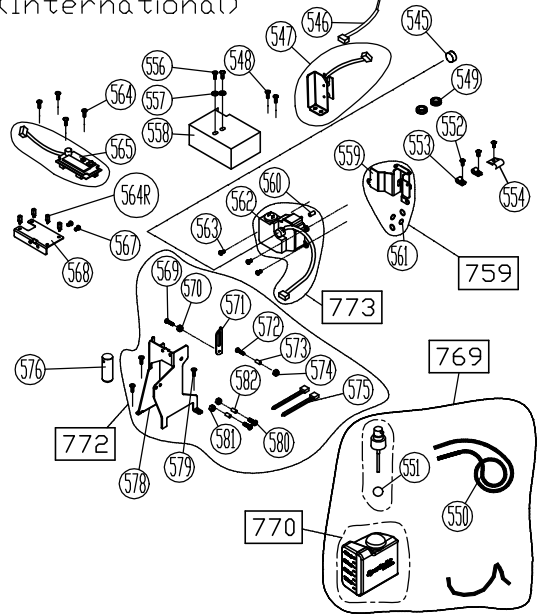
Manual Lubrication (USA)



220V



Auto Lubrication system (International)

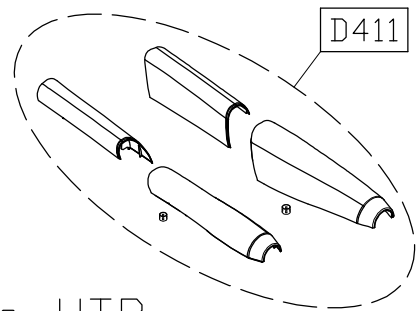


CHANGE DATE	CHANGE DESCRIPTION	CHANGE NO.	NAME	 RESTRICTED USAGE , PLEASE DON'T FORWARD TO ANYONE WHO ISN'T AUTHORIZED	DRAWN BY	UNITS	MM	SALES BLOW UP DIAGRAM	DIAGRAM NO.	TBB-F104D-A
2015.12.15	A1 新增 515R *2PCS		林雅青		VERIFIED BY	QTY	1			MODEL
2018.06.05	A2 新增 543R 修改 543		張又仁			VERSION	A2	XX		
						RATIO	1:14			

OLD → NEW 

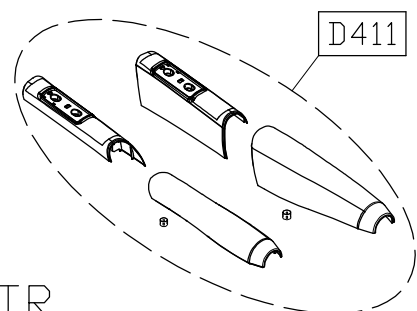
Replace **D408A** or **D409A**, please send one set **D411**.

For T615

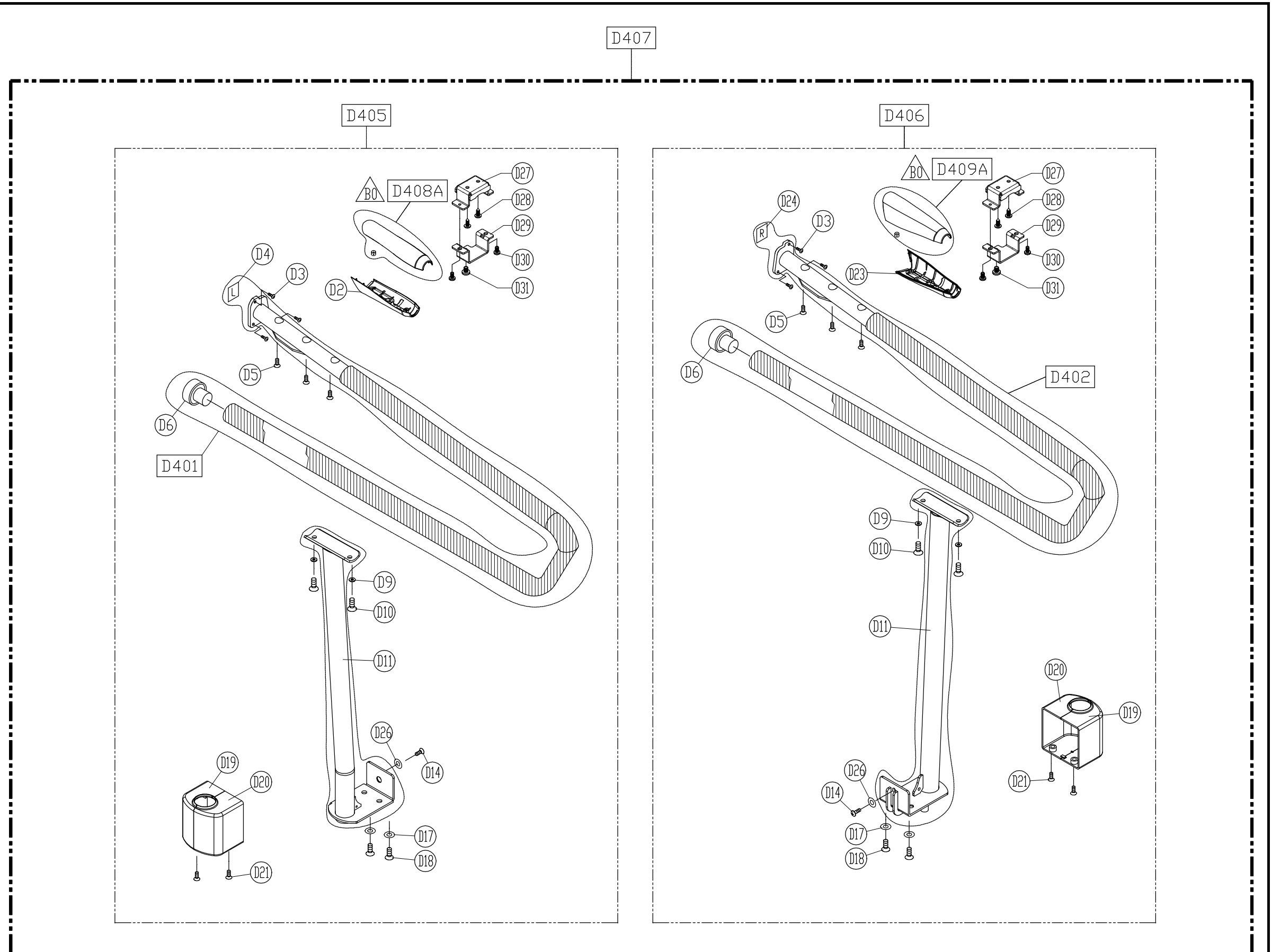


No HTR

For T616



HTR



CHANGE DATE	CHANGE DESCRIPTION	CHANGE NO.	NAME	 RESTRICTED USAGE , PLEASE DON'T FORWARD TO ANYONE WHO ISN'T AUTHORIZED	DRAWN BY	UNITS	MM	SALES BLOW UP DIAGRAM	DIAGRAM NO.	TBB-F103D-B	
2015.10.26	 扶手護蓋補強, 舊換新須搭配寄整組 <b>D411</b> ; <b>D408</b> 改 <b>D408A</b> ; <b>D409</b> 改 <b>D409A</b>	02-20150619M	楊淵堯		VERIFIED BY	QTY	1				T615/T616
						VERSION	B0	XX		MODEL	
						RATIO	1:8				