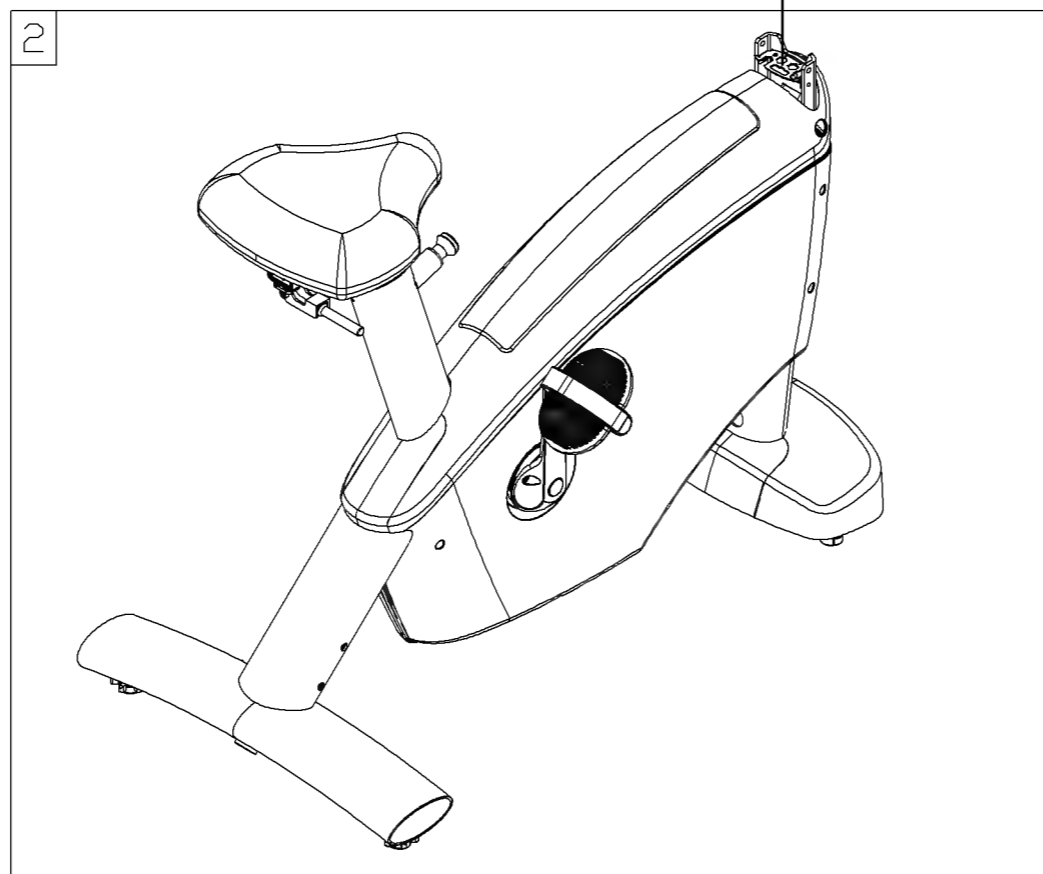
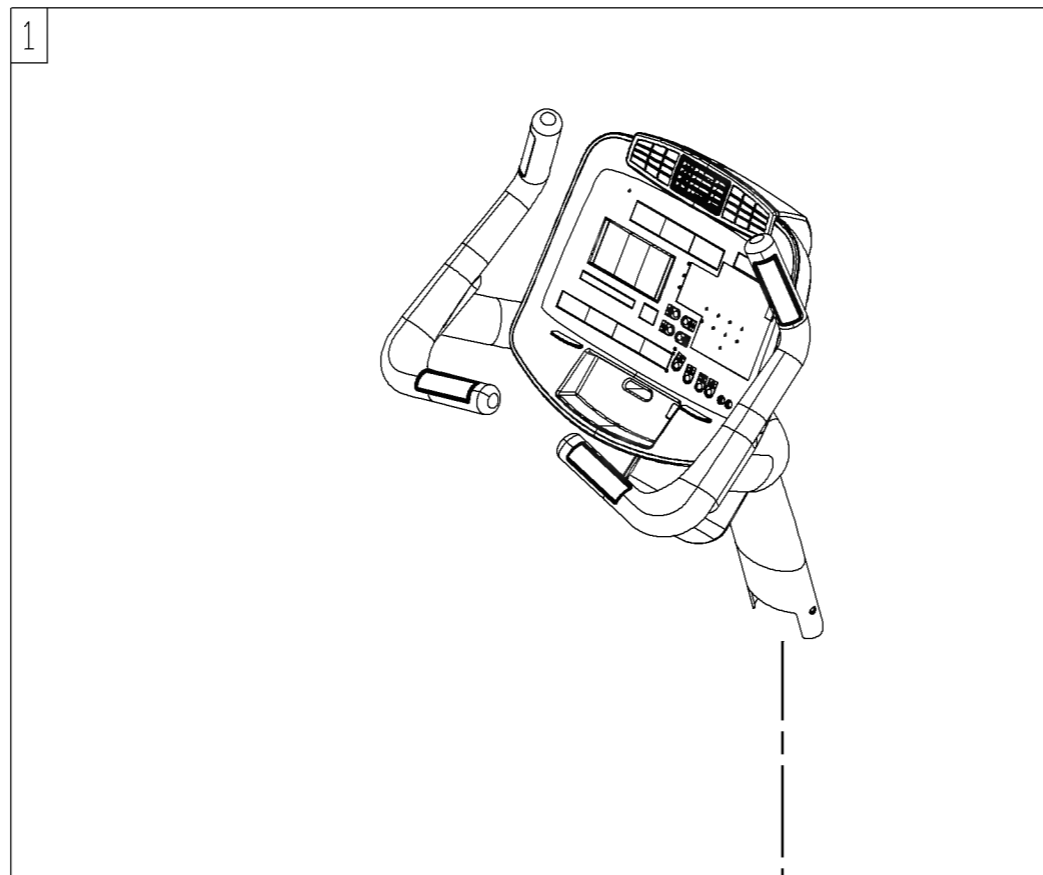
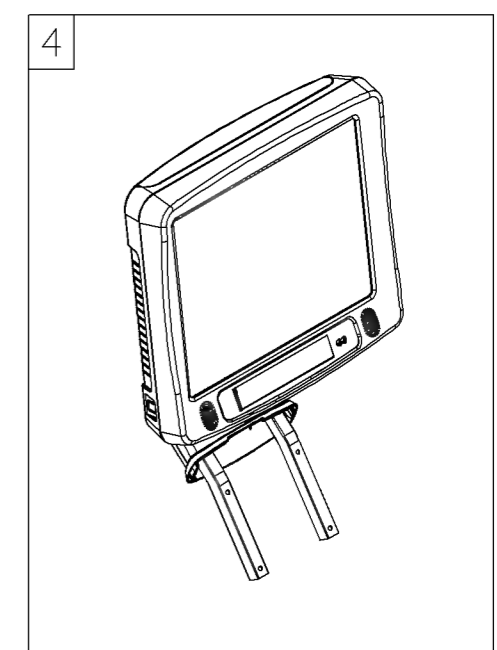
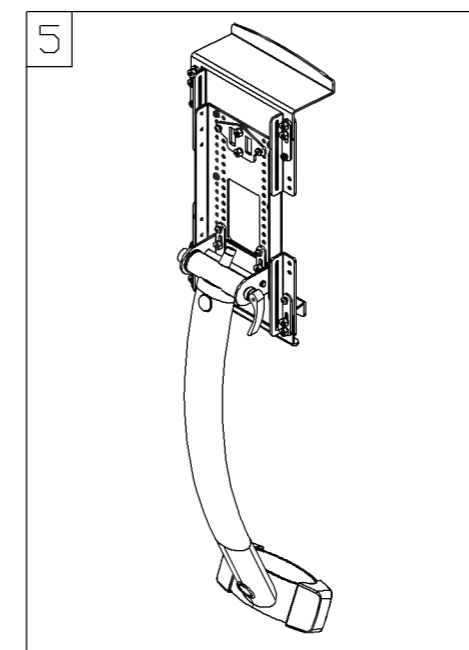
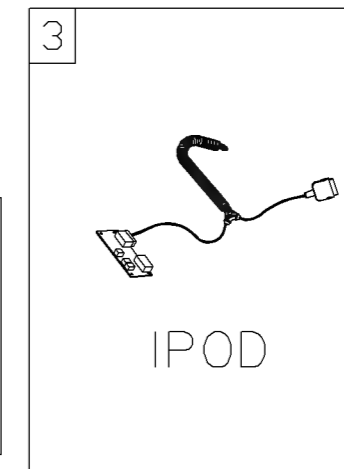
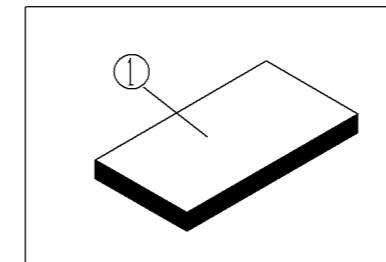


BBL	DESCRIPTION	QTY	PART#	BBL	DESCRIPTION	QTY	PART#
001	OWNER'S MANUAL	1	C572U-001	076	ZIP TIE	3	NA
002	DISPLAY OVERLAY	1	C572U-002	077	GROUND WIRE	1	045-027-020
003A	MAGAZINE HOLDER	2	E83-09	078	PH SCREW M4*P0.7*L12	1	002-211-232
010	PROGRAM BOARD	1	065-220-051	079	FLAT WASHER D8*d4*t1.0	1	003-301-017
011	WHITE KEY CUSHION	6	032-630-280	080	SEAT BOTTOM	1	5005-30
012	FAN VENT	1	C572R-014	091	INNER HEX SCREW M5*P0.8*L10	2	002-205-511
013	MSHRM TOP PH SCW M4*L16 D8.5	2	002-210-004	092	SEAT POST COLLAR - LOWER	1	C570U-97
014	PH SCREW M4*P0.7*L35	2	002-211-230	093	SEAT SLIDER	1	C570U-93
015	FAN	1	C570R-142	094	SEAT POST	1	C570U-94
016	WIRE - FAN TO FAN PC BOARD	1	C570R-53	095	STICKER-SEAT POST POSITION	1	053-263-011
017	PH SCREW M3*L8	15	002-212-042	096	PEDALS W/ STRAP - PAIR	1	C570R-62
018	SMALL COVER (FOR IPOD® WIRES)	1	C572R-017	099	WAVE WASHER D40.5*d32*t0.3	1	C521M-092
018A	NYLON RIVET	1	000-076-850	100	SPINDLE BUSHING	1	053-211-250
019	MSHRM TOP PH SCREW M4*L8	6	002-210-014	101	INNER HEX SET SCREW M5*L5	1	002-204-064
022	KEYPAD	1	C572R-011	102	COVER CONNECTOR	2	C570-70
025	WIRE- DISPLAY TO CARDIO BRD	1	C570R-05	103	MSHRM TOP PH SCREW M4*L12	4	002-210-003
026	PH SCREW M3*L8	2	002-212-042	116	PLUG	1	C51U-16
027	USB+CSAFE BOARD V1.1	1	T652-182A	117	CAP	1	C570U-84
028	USB COVER	1	C572R-024	118	MSHRM TOP PH SCREW M4*L8	2	002-210-014
029	MSHRM TOP PH SCW M4*L16 D8.5	4	002-210-004	119	SEAT POST SLEEVE - UPPER	1	C570U-82
030	DISPLAY RIGHT SIDE SMALL COVER	1	C572R-025	120	DRIVE BRD	1	C572R-194
031	DISPLAY LOWER COVER	1	C572R-027	121	INNER HEX SCREW M5*P0.8*L15	2	002-205-516
032	MSHRM TOP PH SCW M4*L16 D8.5	4	002-210-004	122	REAR SUPPORT	1	C572U-122
033	STICKER - GROUND WIRE STICKER	1	000-063-002	123	REAR SUPPT SCW W WASHER M8*L20	6	053-502-010
037A	STICKER-SPORTSART-210*71*0.45	1	058-063-100	127	INNER HEX SCREW	2	002-205-614
038	MSHRM TOP PH SCW M5*0.8*L25	3	002-209-135	128	CAP	2	053-030-420
039	MSHRM TOP PH SCREW M4*L25	4	002-210-005	129	CAP	1	A911-15
040A	STICKER - ROUND D19*t0.25	1	032-663-180	132	INNER HEX SCREW M5*P0.8*L10	2	002-205-511
041	HANDLEBAR-LEFT [SEE BBL 413]	1	NA	135	STICKER - BATTERY - 6V/4.5AH	1	050-463-050
043	WIRE - DRIVE BRD TO PEDESTAL	1	C572U-043	136	WIRE - BATTERY TO DRIVE BRD	1	C570U-06
044	WIRE-OPTIC SENSOR TO DRV BRD	1	C570U-49	137	STICKER-BATT RECHARGE CONNECT	1	052-563-060
046	PH SCREW M5*0.8*L15	4	002-211-096	138	WIRE - BATTERY CHARGER	1	C570U-09
047	CAP	1	016-330-082	139	CAP	1	016-330-082
048	PH SCREW M5*P0.8*L6	1	002-211-251	140	MAIN FRAME	1	NA-FRAME
049	SPRING WASHER M5*t1.0	1	003-302-004	141	SPINDLE/FRAME BEARING -#6004Z	2	8003-71
050	SERRATED WASHER BW5 3/16"	1	003-304-050	142	C-CLIP	2	004-401-006
051	STICKER - GROUND WIRE STICKER	2	000-063-002	143	DRIVE PULLEY ONLY wMAGNETS-NO HUB		XT20-18
052	INNER HEX SCREW M8*L25	4	002-205-823	144	DRIVE BELT (470J8)	1	XT20-21
053	SERRATED WASHER D18*d8.5*t2.0*19T	4	003-304-063	147	STICKER - SELF-POWERED	2	058-063-130
054	GASKET D13*0.25~0.35	4	053-530-320	149	MSHRM TOP PH SCW M5*0.8*L16	9	002-209-058
056	SERRATED WASHER D18*d8.5*t2.0*19T	4	003-304-063	150	STICKER - SPORTSART L252mm #3C	2	000-063-820
▲ 057	MSHRM TOP INNR HEX SCW M8*L15	4	C572R-132	153	CRANK COVER	2	C570R-157
058	HANDLEBAR-RIGHT [SEE BBL 412]	1	NA	154	SPRING WASHER M6	6	003-302-011
059	SPRING WASHER M8	4	003-302-010	155	INNER HEX SCREW M6*P1.0*L20	6	002-205-140
060	WIRE - HTR	2	C570U-47	156	IDLER PULLEY	1	XT20-06
062	MSHRM TOP PH SCREW M4*L12	8	002-210-003	157	IDLER PULLEY SPRING	1	XT20-07
064	WIRE-HTR PAD WIRE TO HTR BRD	1	C570U-108	158	FLAT WASHER D15*d6.5*t3.0	2	003-301-004
065	WIRE - HTR BRD TO DISPLAY	1	C570U-109	159	INNER HEX SCREW M6*L20	2	002-205-621
066	PH SCREW M3*L8	2	002-212-042	160	INNER HEX SCREW M5*P0.8*L10	2	002-205-511
067	HTR PC BOARD	1	3100-74	162	CONNECTOR BRD AND BRACKET	1	C572U-162
073	HEART RATE STRAP [OPTION]	1	3100-03A	163	INNER HEX SCREW M5*P0.8*L10	4	002-205-511
074	WIRE - DISPLAY TO PEDESTAL	1	C572R-041	165	INNER HEX SCREW M5*P0.8*L10	2	002-205-511
075	ZIP TIE	12	NA	168	TOP COVER FOR POWER INLET	1	C570U-65

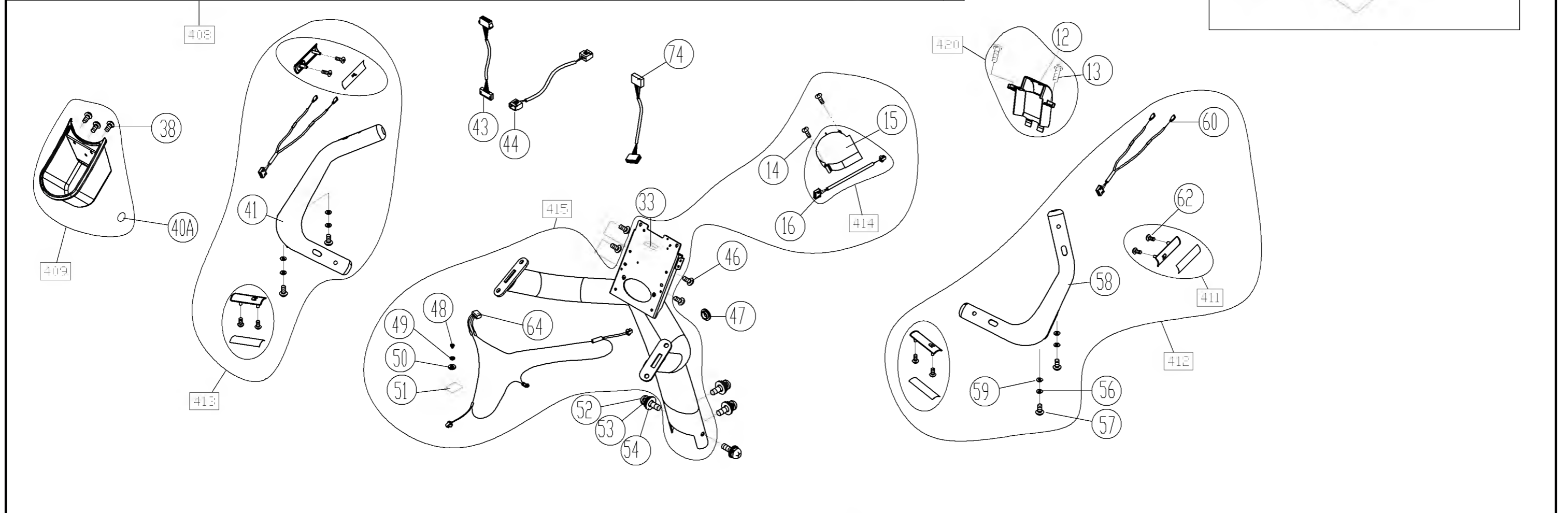
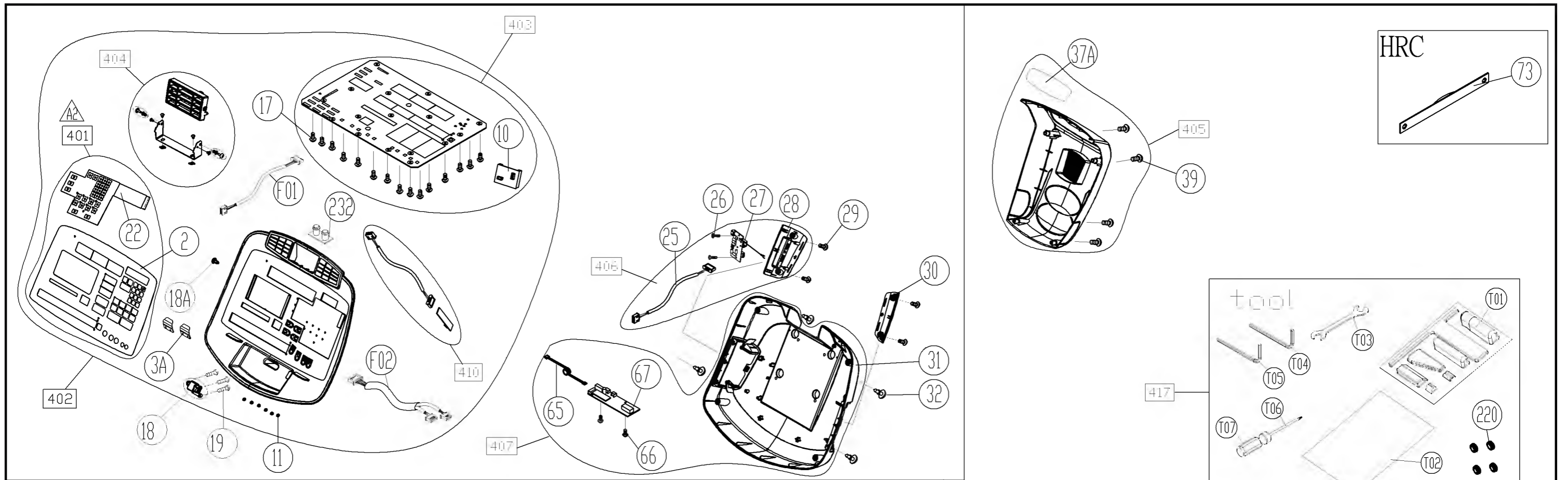
BBL	DESCRIPTION	QTY	PART#	BBL	DESCRIPTION	QTY	PART#
169	POWER SWITCH BACK COVER	1	C570U-66	423	TRANSPORT WHEEL SET	2	C572R-438
174	PH SCREW M4*P0.7*L10	4	002-211-224	424	LEVELER [SUB]	2	C570U-69
175	FRONT LOWER COVER	1	C570U-58	425	SEAT PLACEMENT KNOB	1	C570U-86
176	PH SCREW M5*P0.8*L15	2	002-211-256	426	COVER-LEFT SIDE	1	C572U-426
177	STICKER - TERMINAL COVER	1	058-063-120	427	PEDAL CRANK ARM ONLY-LEFT	1	C570R-101A
178	PH SCREW M4*P0.7*L12	1	002-211-232	428	TUBE END CAP	2	C572R-428
179	FLAT WASHER D8*d4*t1.0	1	003-301-017	429	LEVELER FOOT W/ STAR NUT	2	G572U-429
180	STICKER - GROUND WIRE STICKER	1	000-063-002	430	BATTERY WITH BRACKET	1	C572U-430
181	STICKER - POWER SWITCH	1	058-063-111	431	SPINDLE ASSEMBLY	1	C572U-431
200	HEX NUT 3/8**26T*7mm	2	001-102-042	432	COVER -RIGHT SIDE	1	C572U-432
201	FLYWHEEL WASHER	2	103-306-003	433	PEDAL CRANK-RIGHT	1	C570R-063A
212	SPEED SENSOR-OPTIC SENSOR	1	C570U-89	434	FLYWHEEL	1	C572U-434
213	INNER HEX SCREW M5*P0.8*L10	2	002-205-511	435	WIRE-GROUND WIRE ASSY-EUROPE	1	NA
214	WIRE - E MAGNET TO DRIVE BRD	1	C570U-16	436	FRICTION BLOCK SET	1	C52U-21
215	SINGLE SIDED FOAM TAPE	1	000-065-101	437	PRESSURE MECHANISM	1	C570U-96
216	WIRE-DRIVE BRD TO ALTERNATOR	1	C570U-14	438	SEAT POST ASSEMBLY	1	C570U-124
217	SEAT POST COLLAR SHROUD	1	C570U-100	H001	IHP BOARD	1	065-220-190
218	MIDDLE SHROUD - MAIN	1	C570U-99	H002	PH SCREW M3*L8	4	002-212-042
219	MSHRM TOP PH SCREW	4	002-209-058	H003	WIRE - DISPLAY TO USB	1	065-227-440
220	COVER CAP	4	C570R-59	H004	WIRE - IHP TO USB	1	065-227-430
221	FLAT WASHER	2	003-301-062	H401	IHP OPTION KIT	1	NA-SALES
222	INNER HEX SCREW	2	002-205-614		NS-000 ##### PARTS NOT SHOWN #####		
223	FLAT WASHER D15*d6.5*t3.0	2	003-301-004		NS-001 CHARGER- BATTERY (18VDC 2.0 AMP)	1	C52U-11C
224	ALTERNATOR LOCK PLATE	1	C570U-15		NT-000 ##### NOTES #####		
225	ROUND HEX SCREW	2	002-205-810				
226	ALTERNATOR	1	C570U-13				
229	DRIVE BELT (330J5)	1	XT20-23				
230	SEAT POST OPTION-STATIONARY SLIDE	1	C570U-101				
231	UPRIGHT CYCLE SEAT ADAPTER	1	NA-SALES				
232	EARPHONE BRD FOR IPOD®	1	S770-259				
401	KEYPAD AND OVERLAY SET	1	C572U-401				
402	DISPLAY UPPER COVER COMPLETE	1	C572U-402				
403	DISPLAY BRD	1	C572R-404				
404	FAN VENT AND BRACKET	1	C572R-403				
405	FAN COVER	1	C572R-405				
406	USB COVER	1	C572R-406				
407	DISPLAY LOWER COVER ASSEMBLY	1	C572U-407				
408	DISPLAY-UPPER&LOWER COVER COMP	1	C572U-408				
409	BOTTLE HOLDER	1	C572U-409				
410	RECEIVER BRD	1	C572R-417				
411	CONTACT HR SENSOR PLATE ASSY	4	C572U-411				
412	HANDLEBAR-RIGHT ASSEMBLY	1	C572U-412				
413	HANDLEBAR-LEFT ASSEMBLY	1	C572U-413				
414	FAN ASSEMBLY	1	C572R-411				
415	PEDESTAL	1	C572U-415				
416	WIRE - BATTERY TO DRIVE BOARD	1	C572U-416				
416	IHP OPTION KIT	1	NA-SALES				
417	HARDWARE KIT (TOOLS ONLY)	1	C572U-417				
418	WIRE - IPOD® CONNECTOR	1	158-091-150				
419	IPOD® OPTION KIT	1	NA-SALES				
420	AIR CHANNEL	1	C572R-424				
421	AV TERMINAL PLATE	1	C572R-435				
422	POWER SWITCH BRACKET	1	C572R-434				



No.	Diagram	Tool Needed
1	CAE-F102B	
2	CAE-F102C	
<sup>A4</sup> 3	CAE-F102D	OPTION
4	CAD-F102D	OPTION
5	CAE-F102E	OPTION

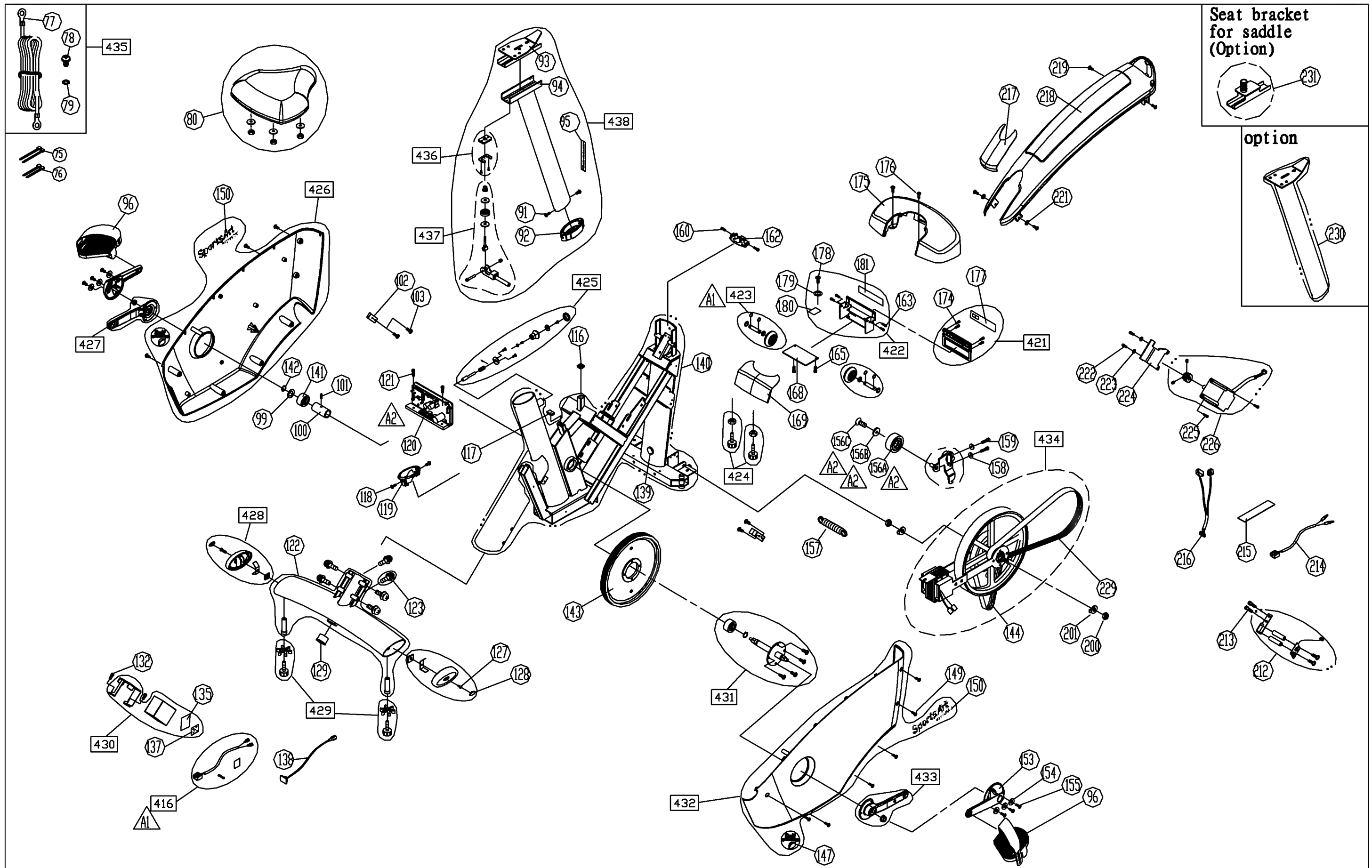


CHANGE DATE	CHANGE DESCRIPTION	CHANGE NO.	NAME	 RESTRICTED USAGE , PLEASE DON'T FORWARD TO ANYONE WHO ISN'T AUTHORIZED	DRAWN BY	UNITS	MM	SALES BLOW UP DIAGRAM	DIAGRAM NO.	CAE-F102A-A	
2011.10.26	<sup>A4</sup> 取消IHP 功能		潘衍耀		VERIFIED BY	QTY	1				C572U
2011.07.15	<sup>A2</sup> 增加 C D E		潘衍耀		VERSION	A4	XX		MODEL		
2011.09.22	<sup>A3</sup> 修改表格編號		林岑	RATIO	1:10						



CHANGE DATE	CHANGE DESCRIPTION	CHANGE NO.	NAME	 RESTRICTED USAGE , PLEASE DON'T FORWARD TO ANYONE WHO ISN'T AUTHORIZED	DRAWN BY	UNITS	MM	SALES BLOW UP DIAGRAM	DIAGRAM NO.	CAE-F102B-A C572U		
2011.07.15	▲ 402 增加 (18A), 選配件移至圖號CAE-F102D-A		潘衍耀			QTY	1					
2011.08.02	▲ 新增 401		潘衍耀			VERSION	A2				XX	MODEL
						VERIFIED BY	RATIO		1:13			





CHANGE DATE	CHANGE DESCRIPTION	CHANGE NO.	NAME	SportsArt FITNESS	DRAWN BY	UNITS	MM	SALES BLOW UP DIAGRAM	DIAGRAM NO.	CAE-F102C-A C572U
2011.07.28	A1 增加 416, 423 增加平面華司	09-1000714T	余志宏			VERIFIED BY	QTY		1	
2012.04.13	A2 增加 156A 156B 156C, 修改驅動板圖示		潘衍耀		VERSION	A2				
					RATIO	1:13				

RESTRICTED USAGE,  
PLEASE DON'T FORWARD TO ANYONE WHO ISN'T AUTHORIZED