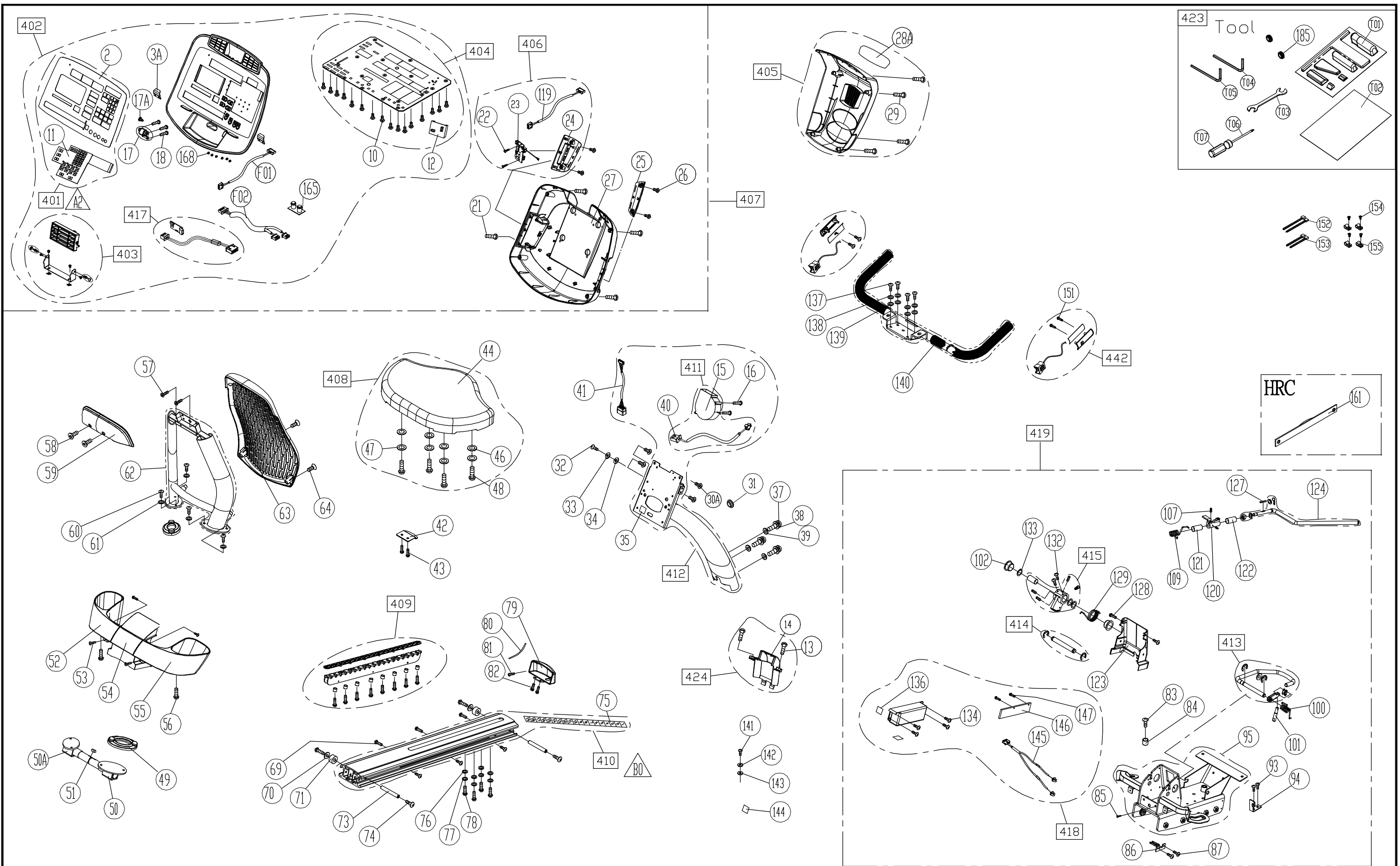


BBL	DESCRIPTION	QTY	PART#	BBL	DESCRIPTION	QTY	PART#
001	OWNER'S MANUAL	1	C572R-001	063	SEAT BACK	1	C570R-110
002	DISPLAY OVERLAY	1	C572R-002	064	INNER HEX SCREW M6*L15	2	002-205-613
003A	MAGAZINE HOLDER	2	E83-09	069	MSHRM TOP INR HEX M6*P1.0*L12	6	002-203-027
010	PH SCREW M3*L8	15	002-212-042	070	FLAT WASHER D20*d6.3*t1.5	2	003-301-007
011	KEYPAD	1	C572R-011	071	STOP ROLLER - STOP PIN	2	5002-13
012	PROGRAM BOARD	1	065-220-051	073	SEAT STOPPER AXLE	2	C570R-106
013	MSHRM TOP PH SCW M4*L16 D8.5	2	002-210-004	074	MSHRM TOP INNER HEX M6*P1.0*L16	4	002-203-021
014	FAN VENT	1	C572R-014	075	POSITION LABEL	1	053-563-031
015	FAN	1	C570R-142	076	FLAT WASHER D13*d6*t1.0	4	003-301-034
016	PH SCREW M4*P0.7*L35	2	002-211-230	077	SPRING WASHER M6	4	003-302-011
017	SMALL COVER (FOR IPOD® WIRES)	1	C572R-017	078	INNER HEX SCREW M6*L15	4	002-205-614
018	MSHRM TOP PH SCREW M4*L8	6	002-210-014	079	SUPPORT FRONT COVER	1	C570R-92
021	MSHRM TOP PH SCW M4*L16 D8.5	4	002-210-004	080	ZIP TIE	1	NA
022	PH SCREW M3*L8	2	002-212-042	081	MSHRM TOP PH SCREW M4*L12	1	002-210-003
023	USB+CSAFE BOARD V1.1	1	T652-182A	082	INNER HEX SCREW M5*P0.8*L10	2	002-205-511
024	USB COVER	1	C572R-024	083	INNER HEX SCREW M8*L18	1	002-205-813
025	DISPLAY RIGHT SIDE SMALL COVER	1	C572R-025	084	SCREW SHEATH	1	053-513-120
026	MSHRM TOP PH SCW M4*L16 D8.5	4	002-210-004	085	INNER HEX SCREW M8*L18	1	002-205-813
027	DISPLAY LOWER COVER	1	C572R-027	086	COILED WIRE BRACKET	1	153-510-380
028A	STICKER-SPORTSART-210*71*0.45	1	058-063-100	087	PH SCREW M4*P0.7*L12	2	002-211-225
029	MSHRM TOP PH SCREW M4*L25	4	002-210-005	093	INNER HEX SCREW M6*L10	2	002-205-610
031	CAP	1	016-330-082	094	SPRING BRACKET	1	C572R-094
032	INNER HEX SCREW M5*P0.8*L10	1	002-205-511	095	SEAT MOUNT	1	C572R-095
033	SPRING WASHER M5*t1.0	1	003-302-004	100	ROTATOR SPRING	1	C570R-126
034	SERRATED WASHER BW5 3/16"	1	003-304-050	101	POSITION PIN	1	C570R-127
035	STICKER - GROUND WIRE STICKER	1	000-063-002	107	INNER HEX SCREW M5*P0.8*L10	2	002-205-511
037	MSHRM TOP INNER HEX SCREW	3	002-203-068	108	NYLOC HEX NUT M10	1	001-101-030
038	SERRATED WASHER D18*d8.5*t2.0*19T	3	003-304-063	109	ROATOR SPRING A	1	C570R-134
039	GASKET D13*0.25~0.35	3	053-530-320	110	FLAT WASHER D8*d4*t1.0	1	003-301-017
040	WIRE - FAN TO FAN PC BOARD	1	C570R-53	111	PH SCREW M4*P0.7*L12	1	002-211-232
041	WIRE - DISPLAY TO PEDESTAL	1	C572R-041	112	GROUND WIRE	1	045-027-020
042	SEAT PROTECTOR	1	XT20-109	114	BATTERY RECHARGE STICKER	1	052-563-060
043	MSHRM TOP INNER HEX M6*P1.0*L16	2	002-203-021	115	WIRE-BATT CHG CONN-ALTERNATOR	1	C570R-03
044	SEAT BOTTOM CUSHION ###USE BBL 408	NA	NA	116	WIRE - ALTERNATOR TO BATTERY	1	C570R-02
045	ROUND STICKER	2	000-063-009	117	WIRE - E MAGNET TO DRIVE BRD	1	C570R-13
046	FLAT WASHER D20*d8*t1.0	4	003-301-026	119	WIRE- DISPLAY TO CARDIO BRD	1	C570R-05
047	SPRING WASHER M8*t2.0	4	003-302-006	120	LOCK MECHANISM	1	5002-42
048	OUTER HEX SCREW M8*P1.25*L20	4	002-201-030	121	POSITIONER ROD D13.5*d11.5*L20	1	C572R-121
049	SEAT BACK CONNECTION COVER	2	C570R-113	122	POSITIONER ROD D19.1*d13.5*L35	1	C570R-132
050	SEAT BACK RIGHT ROTATOR	1	C572R-050	123	GEAR COVER	1	C570R-125
050A	SEAT BACK LEFT ROTATOR	1	C572R-050A	124	LEVER ARM	1	C572R-124
051	DOUBLE HEAD KEY	1	C570R-114	127	SET PIN-SEAT BACK ADJUST HNDL	1	5002-40
052	BOTTLE HOLDER-LEFT	1	C570R-87	128	PH SCREW M5*P0.8*L15	8	002-211-256
053	PH SCREW M5*P0.8*L10	4	002-211-254	129	SPRING -RIGHT	1	C570R-120
054	COVER BETWEEN BOTTLE HOLDERS	1	C570R-86	130	WIRE - BATTERY TO DRIVE BRD	1	C570R-04
055	BOTTLE HOLDER-RIGHT	1	C570R-85	▲ 132	MSHRM TOP INNR HEX SCW M8*L15	2	C572R-132
056	MSHRM TOP PH SCREW M5*L12	2	002-210-031	133	FLAT WASHER D42*D31*t0.5	3	003-301-035
057	INNER HEX SCREW M6*L25	2	002-205-622	134	PH SCREW M4*P0.7*L12	4	002-211-225
058	INNER HEX SCREW M6*L15	2	002-205-613	136	STICKER - BLACK	3	000-063-016
059	SEAT BACK COVER	1	C570R-111	137	INNER HEX SCREW M8*L20	4	002-205-820
060	INNER HEX SCREW M8*L20	4	002-205-820	138	SPRING WASHER M8	4	003-302-010
061	SPRING WASHER M8	4	003-302-010	139	FLAT WASHER D17*d8.3*t2	4	003-301-038
062	SEAT BACK FRAME	1	C572R-062	140	HANDLEBARS WITH HTR	1	C570R-90

BBL	DESCRIPTION	QTY	PART#	BBL	DESCRIPTION	QTY	PART#
141	PH SCREW M5*P0.8*L6	1	002-211-251	216	COVER CAP	2	C570R-59
142	SPRING WASHER M5*t1.0	1	003-302-004	217	INNER HEX SCREW M6*L15	4	002-205-614
143	SERRATED WASHER BW5 3/16"	1	003-304-050	218	SPRING WASHER M6	4	003-302-011
144	STICKER - GROUND WIRE STICKER	2	000-063-002	221	COVER POSITIONER	1	C570R-60
145	WIRE - HANDLEBAR TO HTR BRD	1	C570R-88	▲ 223	MSHRM TOP INNR HEX SCW M8*L15	8	C572R-132
146	HTR PC BOARD	1	3100-74	224	FLAT WASHER D17*d8.3*t1	8	003-301-044
147	PH SCREW M3*L8	2	002-212-042	225	FRAME-C572R	1	153-550-31C
151	MSHRM TOP PH SCREW M4*L12	4	002-210-003	226	BATTERY STICKER 6V/4.5AH	1	050-463-050
152	ZIP TIE	4	NA	228	INNER HEX SCREW M5*P0.8*L10	2	002-205-511
153	ZIP TIE	19	NA	229	FOAM TAPE	4	000-065-100
154	MSHRM TOP PH SCREW M4*L12	4	002-210-003	231	PH SCREW M5*P0.8*L35	2	002-211-262
155	WIRE CLIP	4	000-076-450	232	FLAT WASHER D13*d6*t2.0	4	003-301-045
157	IDLER PULLEY SPRING	1	080-404-010	233	INNER HEX SCREW M6*L15	4	002-205-614
158	FLAT WASHER D15*d6.5*t3.0	2	003-301-004	234	SPRING WASHER M6	4	003-302-011
159	INNER HEX SCREW M6*L15	2	002-205-614	235	REAR SUPPORT REAR COVER	1	C570R-84
161	HEART RATE STRAP [OPTION]	1	3100-03A	238	REAR SUPPORT FRAME	1	C572R-238
163	STICKER - GROUND WIRE STICKER	1	000-063-002	241	REAR SUPPORT FRONT COVER	1	C570R-76
164	TERMINAL COVER STICKER	1	058-063-120	242	PH SCREW M3*L8	4	002-212-042
165	EARPHONE BRD FOR IPOD®	1	S770-259	248	INNER HEX SCREW	2	002-205-614
168	WHITE KEY CUSHION	6	032-630-280	249	CAP	2	053-030-420
169	PEDALS W/ STRAP - PAIR	1	C570R-62	250	REAR FRAME COVER	1	C570R-75
170	INNER HEX SCREW M6*P1.0*L20	3	002-205-140	251	PH SCREW M4*L14	6	002-211-257
171	SPRING WASHER M6	3	003-302-011	252	FRONT FRAME COVER	1	C570R-74
174	PH SCREW M5*P0.8*L20	3	002-211-257	253	WIRE - HTR- COILED	1	C570R-72
176	SPINDLE/FRAME BEARING -#6004Z	2	8003-71	254	BAKELITE SLEEVE D9*d5.1*L8	2	030-141-013
177	STICKER - SPORTSART L252mm #3C	2	000-063-820	256	PH SCREW M4*L14	2	002-211-257
178	SPEED SENSOR-OPTIC SENSOR	1	C570R-97	257	WIRE-HR HUB BRD TO DRIVE BRD	1	053-527-040
179	INNER HEX SCREW M5*P0.8*L10	2	002-205-511	259	PH SCREW M4*L14	6	002-211-257
180	WIRE-OPTIC SENSOR TO DRV BRD	1	C570R-96	260	STICKER - SELF-GENERATING	2	058-063-130
181	WIRE - DRIVE BRD TO PEDESTAL	1	C572R-181	261	WAVE WASHER D40.5*d32*t0.3	1	C521M-092
182	COVER CONNECTOR	1	C570R-58	262	SPINDLE BUSHING	1	053-211-250
183	UPPER COVER	1	C570R-98	263	C-CLIP	2	004-401-006
184	PH SCREW M5*P0.8*L20	2	002-211-257	264	INNER HEX SET SCREW M5*L5	1	002-204-064
185	COVER CAP	2	C570R-59	265	DRIVE PULLEY ONLY w/MAGNETS-NO HUB	1	XT20-18
187	CONNECTOR BRD AND BRACKET	1	C572R-187	266	DRIVE BELT (470J8)	1	XT20-21
188	FOAM TAPE	1	C572R-188	270	PH SCREW M4*L14	4	002-211-257
189	WATER RESISTANT STRIP	1	C572R-189	273	CRANK COVER	2	C570R-157
190	INNER HEX SCREW M5*P0.8*L10	2	002-205-511	274	SPRING WASHER M6	3	003-302-011
194	DRIVE BRD	1	C572R-194	275	INNER HEX SCREW M6*P1.0*L20	3	002-205-140
195	INNER HEX SCREW M5*P0.8*L15	2	002-205-516	276	HEX NUT 3/8"*26T*7mm	2	001-102-042
196	ALTERNATOR	1	XT20-04	277	FLYWHEEL WASHER	2	103-306-003
199	ALTERNATOR BRACKET	1	C570R-11	305	PH SCREW M4*P0.7*L12	1	002-211-232
200	MSHRM TOP INNR HEX SCW M8*L20	2	002-203-059	306	FLAT WASHER D8*d4*t1.0	1	003-301-017
201	SPRING WASHER M8*t2.0	2	003-302-006	401	KEYPAD AND OVERLAY SET	1	C572R-401
202	DRIVE BELT (330J5)	1	XT20-23	402	DISPLAY W UPPER COVER COMPLETE	1	C572R-402
203	PH SCREW M5*P0.8*L20	2	002-211-257	403	FAN VENT AND BRACKET	1	C572R-403
204	FRONT LOWER COVER	1	C570R-51	404	DISPLAY BRD	1	C572R-404
205	PH SCREW M4*P0.7*L10	4	002-211-224	405	FAN COVER	1	C572R-405
207	INNER HEX SCREW M5*P0.8*L10	4	002-205-511	406	USB COVER	1	C572R-406
209	STICKER - POWER SWITCH	1	058-063-111	407	DISPLAY-UPPER&LOWER COVER COMP	1	C572R-407
213	INNER HEX SCREW M8*L20	1	002-205-820	408	SEAT BOTTOM CUSHION	1	5150-44
214	SPRING WASHER M8	1	003-302-010	409	POSITIONER STRIP	1	153-591-110
215	FLAT WASHER D17*d8.3*t2	1	003-301-038	410	SEAT CARRIAGE RAIL	1	C572R-410

BBL	DESCRIPTION	QTY	PART#	BBL	DESCRIPTION	QTY	PART#
411	FAN ASSEMBLY	1	C572R-411				
412	PEDESTAL	1	C572R-412				
413	SEAT ADJUST ROD	1	C570R-123				
414	SEAT MOUNT POSITION ROD	1	C570R-136				
415	ADJUSTMENT HARDWARE	1	C572R-415				
416	WIRE - BATTERY TO DRIVE BOARD	1	C572R-416				
417	TELEMETRY HR RECEIVER BRD	1	C572R-417				
418	HTR BRD- COVER & WIRE ASSY	1	C572R-418				
419	SEAT CARRIAGE ASSEMBLY	1	C572R-419				
420	WIRE - IPOD® CONNECTOR	1	158-091-150				
421	IPOD® OPTION KIT	1	NA-SALES				
422	IHP OPTION KIT	1	NA-SALES				
423	HARDWARE KIT (TOOLS ONLY)	1	C572R-423				
424	AIR CHANNEL	1	C572R-424				
425	REAR SUPPORT LEFT TUBE COVER	1	C572R-425				
426	REAR SUPPORT RIGHT TUBE COVER	1	C572R-426				
427	LEVELER FOOT W/ STAR NUT	2	G572U-429				
428	TUBE END CAP	2	C572R-428				
429	HEART RATE HUB BRD	1	C570R-73				
430	SPINDLE ASSEMBLY	1	C572R-430				
431	COVER -RIGHT SIDE	1	C570R-064				
432	CRANK-RIGHT	1	C570R-063A				
433	FLYWHEEL	1	C572R-433				
434	POWER SWITCH BRACKET	1	C572R-434				
435	AV TERMINAL PLATE	1	C572R-435				
436	COVER-LEFT SIDE	1	C570R-100				
437	PEDAL CRANK ARM ONLY-LEFT	1	C570R-101A				
438	TRANSPORT WHEEL SET	2	C572R-438				
439	LEVELER FOOT	2	C570U-69				
440	WIRE-GROUND WIRE ASSY-EUROPE	1	NA				
441	BATTERY	1	C572R-441				
442	CONTACT HR SENSOR PLATE ASSY	2	C572R-442				
443	SEAT CARRIAGE SUPPORT R COVER	1	C572R-443				
444	SEAT CARRIAGE SUPPORT L COVER	1	C572R-444				
H001	IHP BOARD	1	065-220-190				
H002	PH SCREW M3*L8	4	002-212-042				
H003	WIRE - DISPLAY TO USB	1	065-227-440				
H004	WIRE - IHP TO USB	1	065-227-430				
H401	IHP OPTION KIT	1	NA-SALES				
NS-000	##### PARTS NOT SHOWN #####						
NS-001	CHARGER- BATTERY (18VDC 2.0 AMP)	1	C52U-11C				
NT-000	##### NOTES #####						



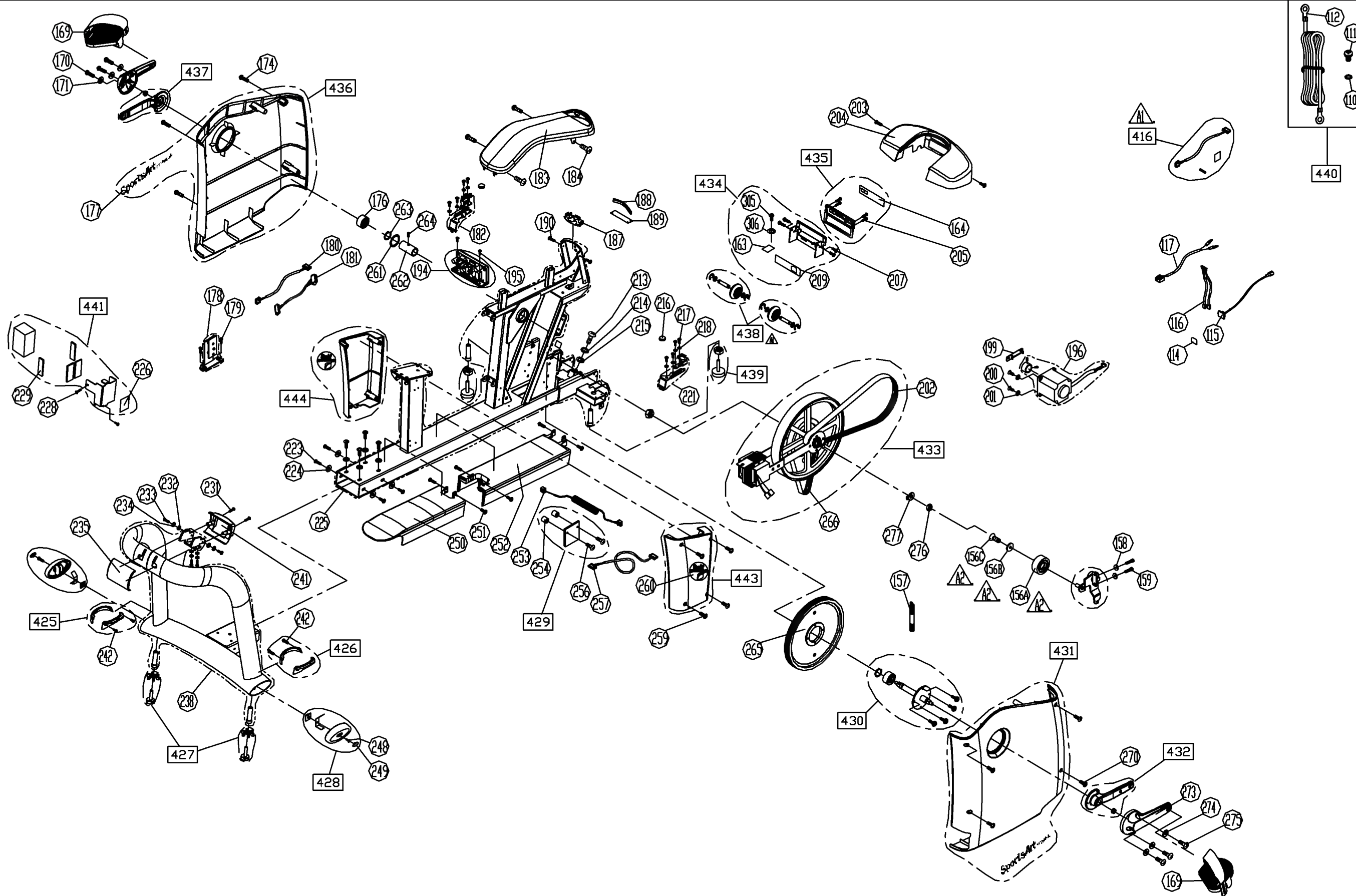
Display with pedestal & Seat carriage assy.

CHANGE DATE	CHANGE DESCRIPTION	CHANGE NO.	NAME		DRAWN BY	UNITS	MM	SALES BLOW UP DIAGRAM	DIAGRAM NO.	CAD-F102B-B C572R
2011.12.01	A3 408 取消 45		潘衍耀			QTY	1			
2013.02.06	B0 為共用新機種, 410 修改坐墊鋁管, 舊品用完換新品	03-20130203M	林雅青			VERSION	B0			
2011.08.02	A2 新增 401		潘衍耀	RATIO	1:13					

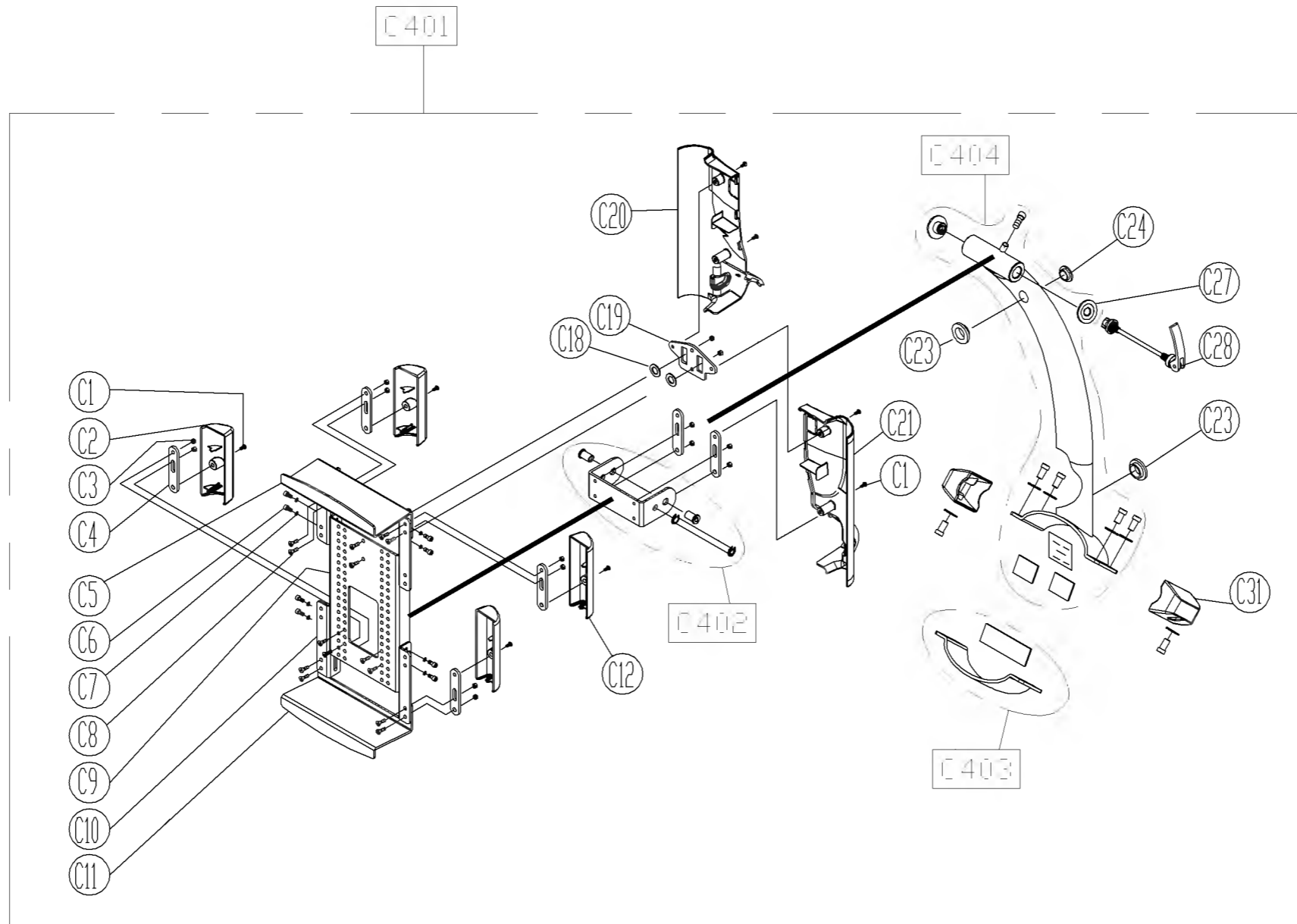
SportsArt
FITNESS

RESTRICTED USAGE,
PLEASE DON'T FORWARD TO ANYONE WHO ISN'T AUTHORIZED

VERIFIED BY				
-------------	--	--	--	--



CHANGE DATE	CHANGE DESCRIPTION	CHANGE NO.	NAME	SportsArt FITNESS	DRAWN BY	UNITS	MM	SALES BLOW UP DIAGRAM	DIAGRAM NO.	CAD-F102C-A			
2011.07.28	增加 416, 438 增加平面華司	09-1000714T	余志宏			RESTRICTED USAGE, PLEASE DON'T FORWARD TO ANYONE WHO ISN'T AUTHORIZED	VERIFIED BY		QTY		1	XX	MODEL
2011.12.01	增加 156A 156B 156C		潘衍耀		VERSION	A2							
						RATIO	1:14						



CHANGE DATE	CHANGE DESCRIPTION	CHANGE NO.	NAME	 RESTRICTED USAGE , PLEASE DON'T FORWARD TO ANYONE WHO ISN'T AUTHORIZED	DRAWN BY	UNITS	MM	SALES BLOW UP DIAGRAM	DIAGRAM NO.	CAD-F102E-A		
							QTY		1		XX	MODEL
							VERSION		A0			
							RATIO		1:8			