

# C51R 120 VAC

3/11/2011

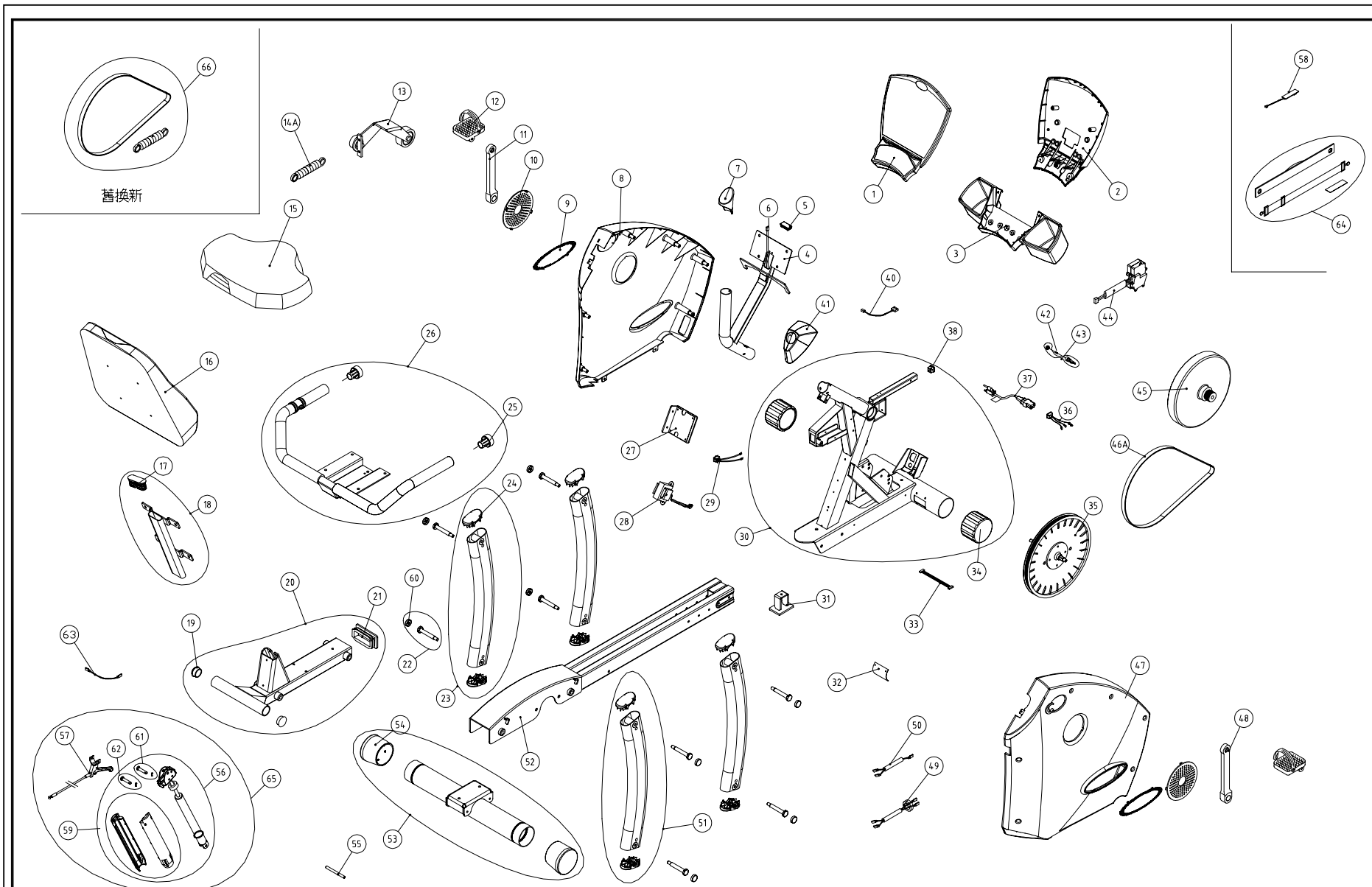
BBL	DESCRIPTION	QTY	PART #
1	DISPLAY	1	C51R-01
2	DISPLAY BACK PIECE	1	C51U-02
*	DISPLAY TOP PIECE RAW	1	C51U-02A
3	CUP HOLDER	1	C51R-03
4	PEDESTAL	1	C51R-04
5	PLUG	1	C51R-05
6	WIRE - UPPER PEDESTAL TO DISPLAY	1	C51R-06
7	HANDLEBAR GRIP CAP	1	C51R-07
8	SIDE COVER LEFT, RAW	1	C52R-08A
*	SIDE COVER LABEL - C51R	2	C51R-47A
9	COVER YELLOW FOR STICKER	2	C51U-25
10	COVER DRIVE ASSY	2	C51U-26
11	LEFT CRANK ARM	1	C51U-27
12	FOOT PEDAL ASSY	1	5002-16
*	PEDAL STRAPS	1	5002-16A
13	IDLER PULLEY	1	C51U-11
14	SPRING	1	C51U-12
15	BOTTOM SEAT	1	C51R-15
16	SEAT BACK	1	C51R-16
17	PLUG - SEAT POST	1	C51R-17
18	SEAT BACK POST	1	C51R-18
19	PLUG - HANDLEBAR	1	C51R-19
20	SEAT CARRIAGE	1	C51R-20
21	END CAP	1	C51R-21
22	BOLT	8	C51R-22
23	SEAT LEGS LEFT	2	C51R-23
24	CAP SEAT LEGS	8	C51R-24
25	GRIP CAP	2	805P-09
26	HANDLE BAR	1	C51R-26
27	DRIVE BOARD	1	C51U-13
28	TRANSFORMER	1	C51U-37
29	ON/OFF SWITCH	1	ONSW-01
30	FRONT FRAME BLACK	1	C51R-30
31	BRACKET BLACK	1	C51R-31
32	REMOTE COVER BLACK	1	C51R-32
33	WIRE- LOWER PEDESTAL TO HUB BOARD	1	C51R-33
34	FRONT WHEEL	2	C51U-15
35	DRIVE PULLEY W/ SPINDLE	1	C51U-44
*	MAGNET FOR REED SWITCH	2	5006-14
36	POWER CORD INLET ASSY	1	C51U-36
37	POWER CORD	1	C51U-35
38	END CAP	1	1250-25

BBL	DESCRIPTION	QTY	PART #
40	REED SWITCH	1	C51U-18
41	COVER 2 PCS	1	C51R-41
42	FUSE HOLDER	1	FSHR-01
43	FUSE 0.5A	1	F05T-01
44	VR ASSY	1	506P-26
45	FLYWHEEL	1	C51U-47
46	DRIVE BELT	1	C51U-46
47	SIDE COVER RIGHT, RAW	1	C52R-65A
*	SIDE COVER LABEL - C51R	2	C51R-47A
48	RIGHT CRANK ARM	1	C51U-49
49	WIRE-ON SWITCH TO POWER	1	C51U-33
50	WIRE -DB TO ON SWITCH	1	C51U-32
51	SEAT LEGS RIGHT	1	C51R-51
52	REAR FRAME	1	C51R-52
53	REAR SUPPORT TUBE	1	C51R-53
54	SUPPORT FOOT	2	C51U-38
55	FASTENER PIN	1	C51R-55
56	SHOCK - SEAT BOTTOM	1	C51R-56
57	SHOCK ADJ. LEVER W/CABLE	1	C51R-57
58	HR RECEIVER	1	C51U-50
59	SHOCK COVERS	1	C51R-59
60	BOLT CAP	8	C51R-60
61	LOCKING PIN - SHORT	1	C52R-30
62	LOCKING PIN - LONG	1	C52R-31
63	GROUND WIRE	1	C51U-31
64	HEART RATE STRAP	1	3100-03A

### ADDITIONAL PARTS NOT SHOWN

*	BEARINGS CRANK	2	8003-71
*	DOME LOGO, DISPLAY	1	C51R-01A
*	HARDWARE PACKAGE (TOOLS ONLY)	1	C51U-HK
*	KEYPAD PCB (ELECTRONICS ONLY)	1	C51R-100
*	NUT SPINDLE	2	NT01-01
*	C51 OVERLAY, UPPER & LOWER 2 PC SET	1	C51R-DD012
*	OWNERS MANUAL	1	C51R-OM
*	POLAR HEART RATE SIMULATOR	1	POLAR-01
*	RUBBER CAP - CRANK ARM	2	5002-17B
*	SPRING, RETRO KIT	1	C51U-71
*	TOOL - CRANK ARM PULLER	1	5002-87

WENT TO SILVER 0102428  
NEW WARRANTY CARD 0151371



Date      Revision  
 05.31.04 14=14A, 46=46A, Added 66  
 03.15.04 Added 64, 65  
 02.27.04 Added 63

Model: C51R  
 Version: 4  
 Diagram: DO-F001A  
 Date: 12.14.04

**SportsArt** FITNESS