

3

2

1



NOTES:

- 1 GROUND WIRES FROM ITEM 101 (POWER SPLITTER AND ITEM 104 LINE INPUT) MUST BE SECURED TO FRAME SEPARATELY.

PRODUCT:					PRECOR		
TRM10 BASE							
DRWN BY	06.19.13	WDC	SIZE	PAGE	OF	DWG. NO.	SUBREV
CS	05.06.13	BG	A	1	5	300828-101	M

C

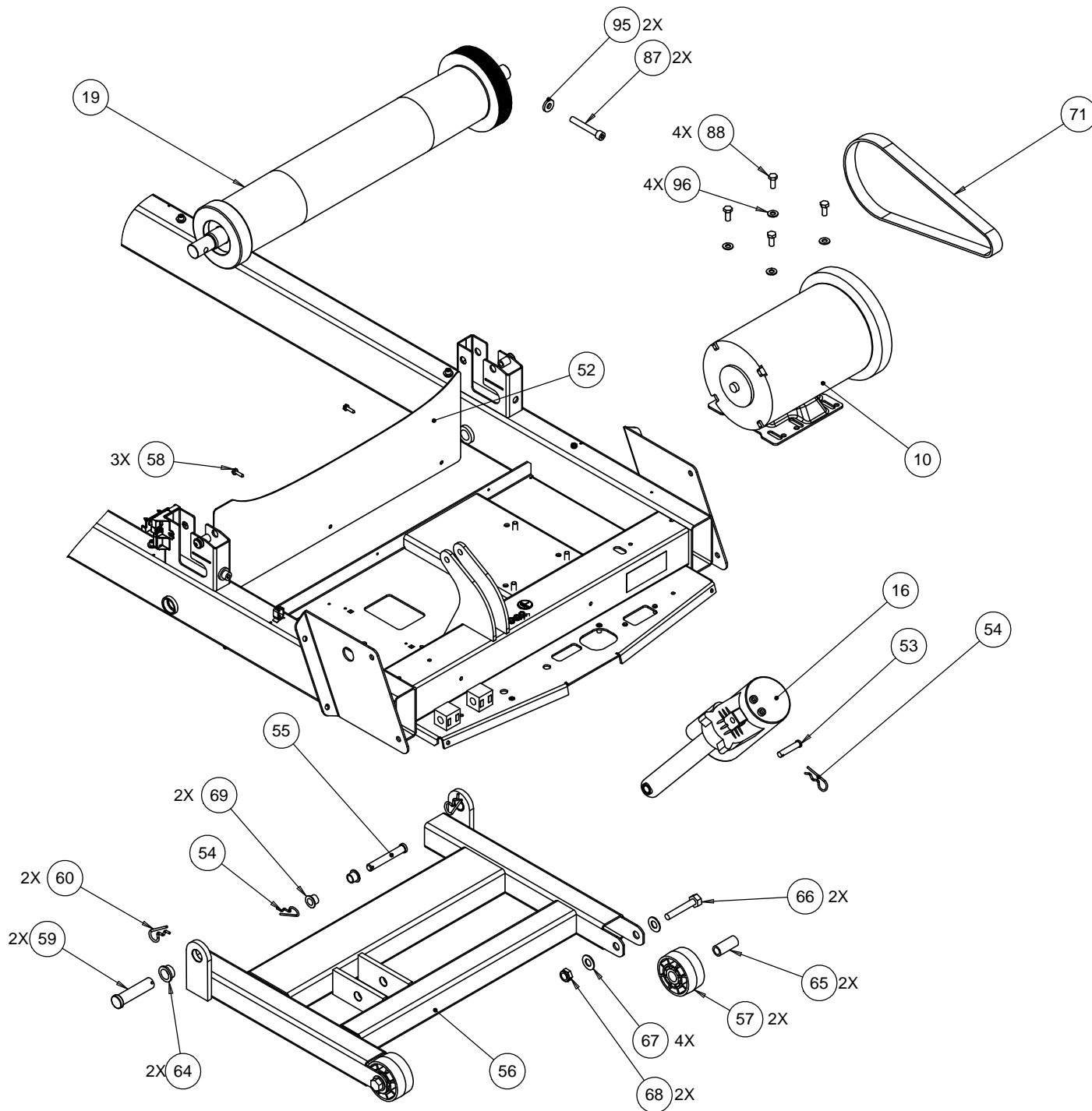
B

A

3

2

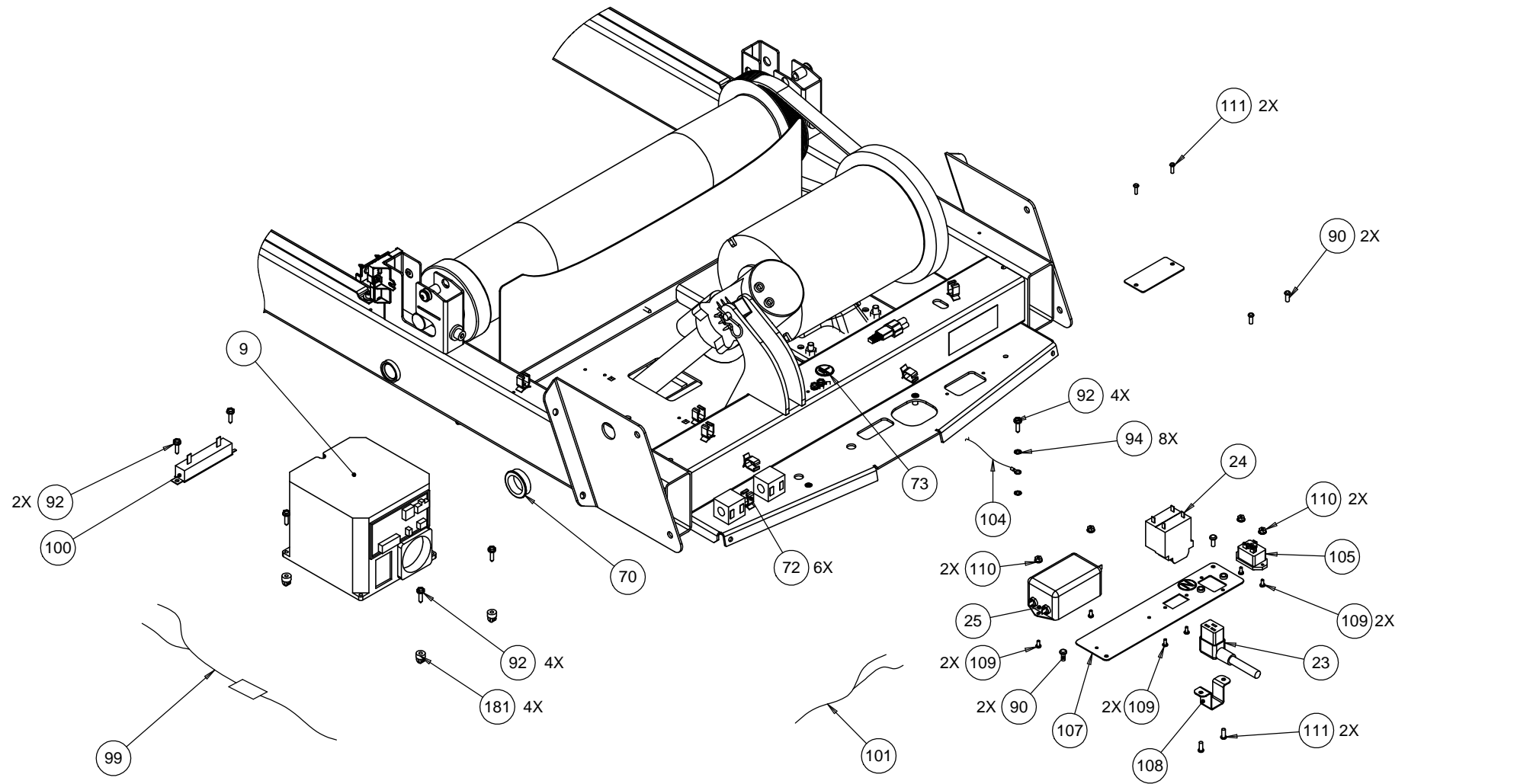
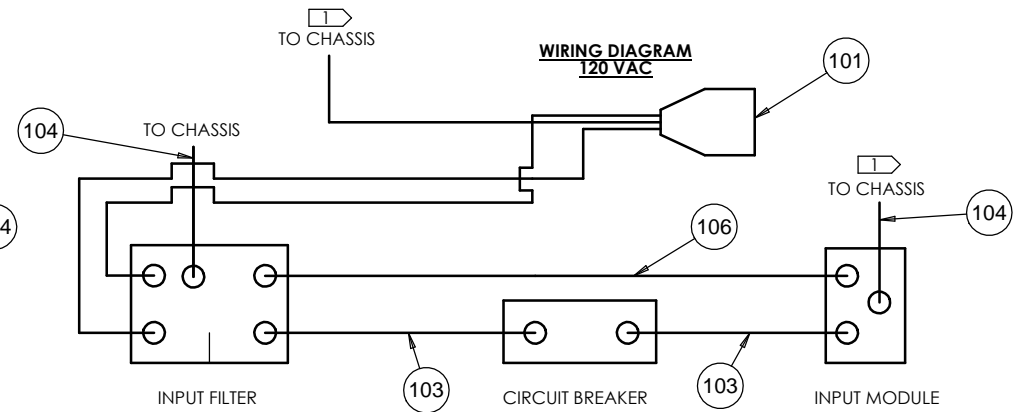
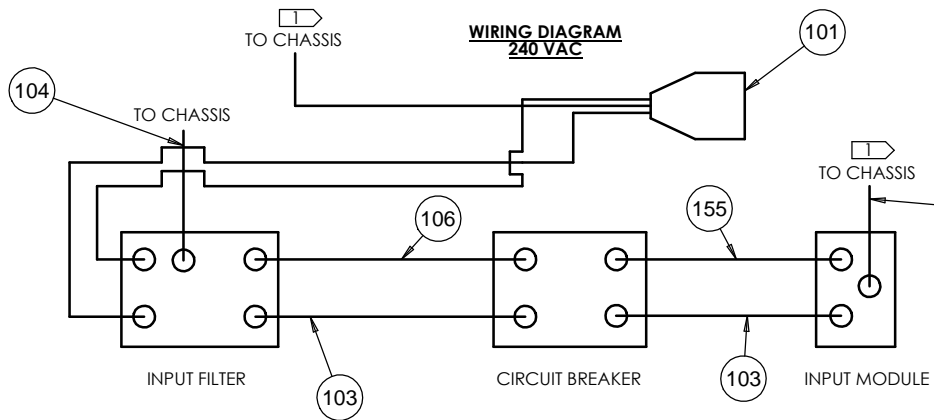
1



C

B

A



C

B

A

3

2

1

