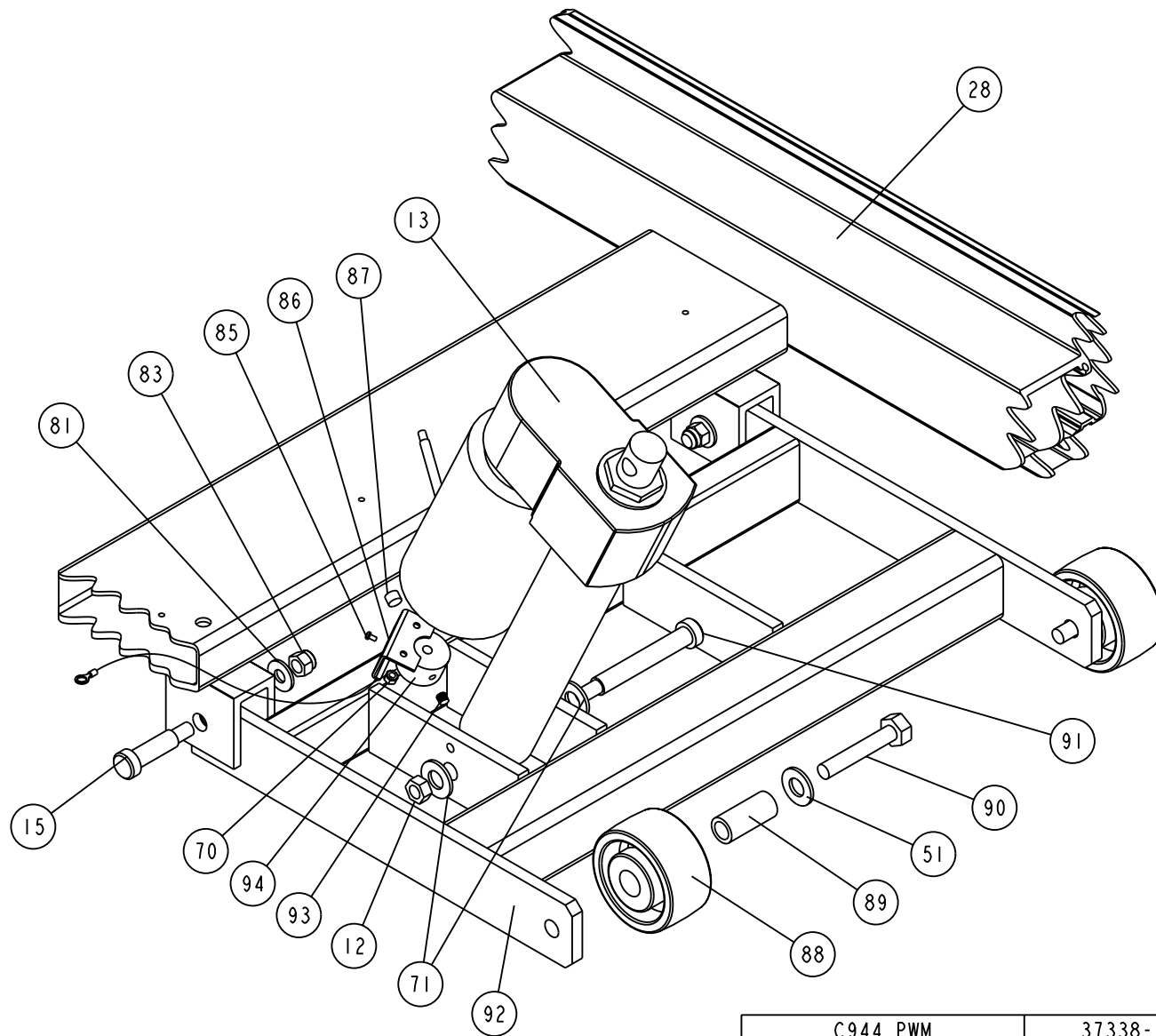


NOTE:

1. ITEMS MARKED WITH (\*) APPLY TO C944 PWM ONLY.

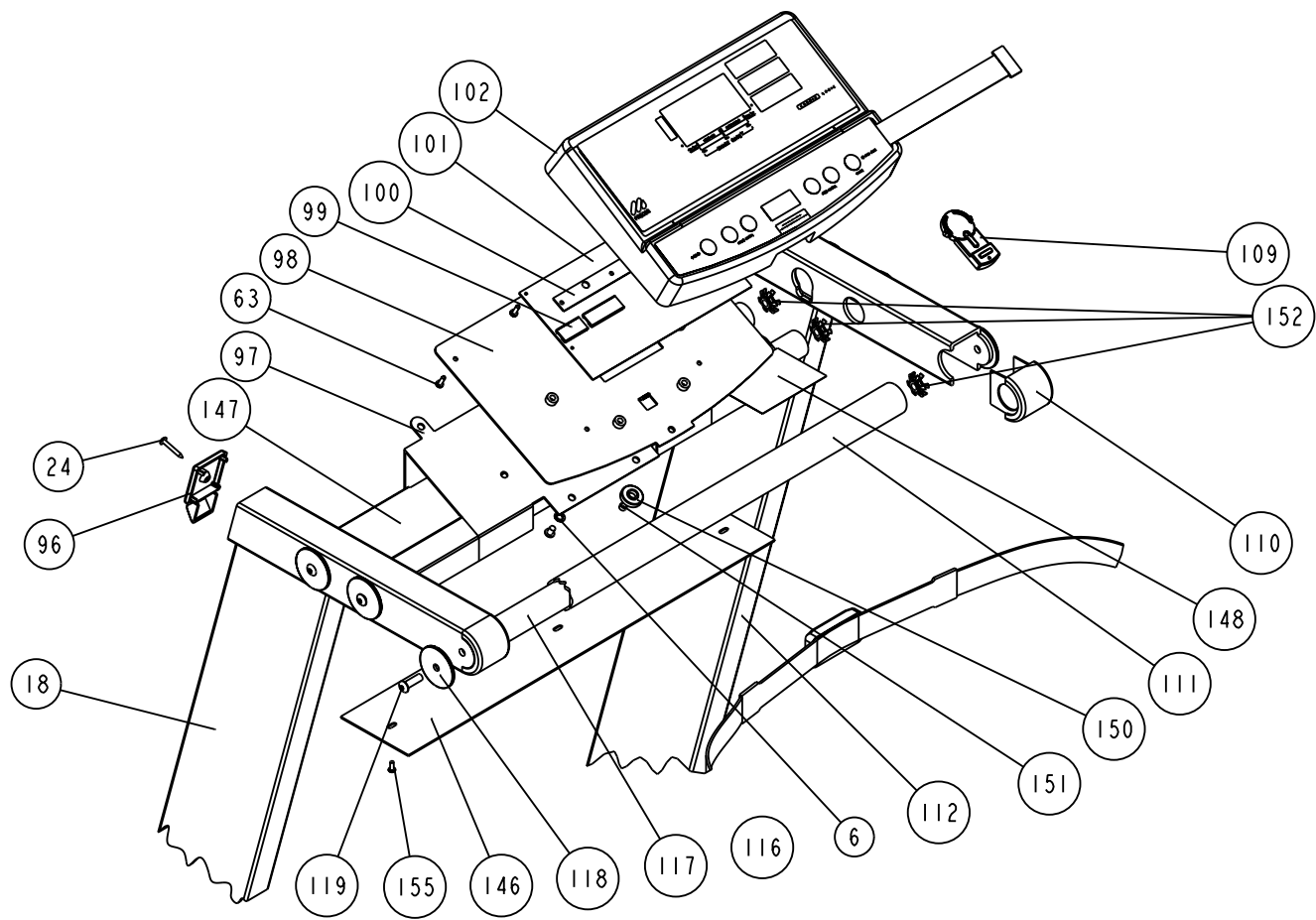
C944, C940 PWM	37338-102	REV G
DRAWN BY: GRANADOSIN	DATE: 05.10.02	SHEET 2 OF 6



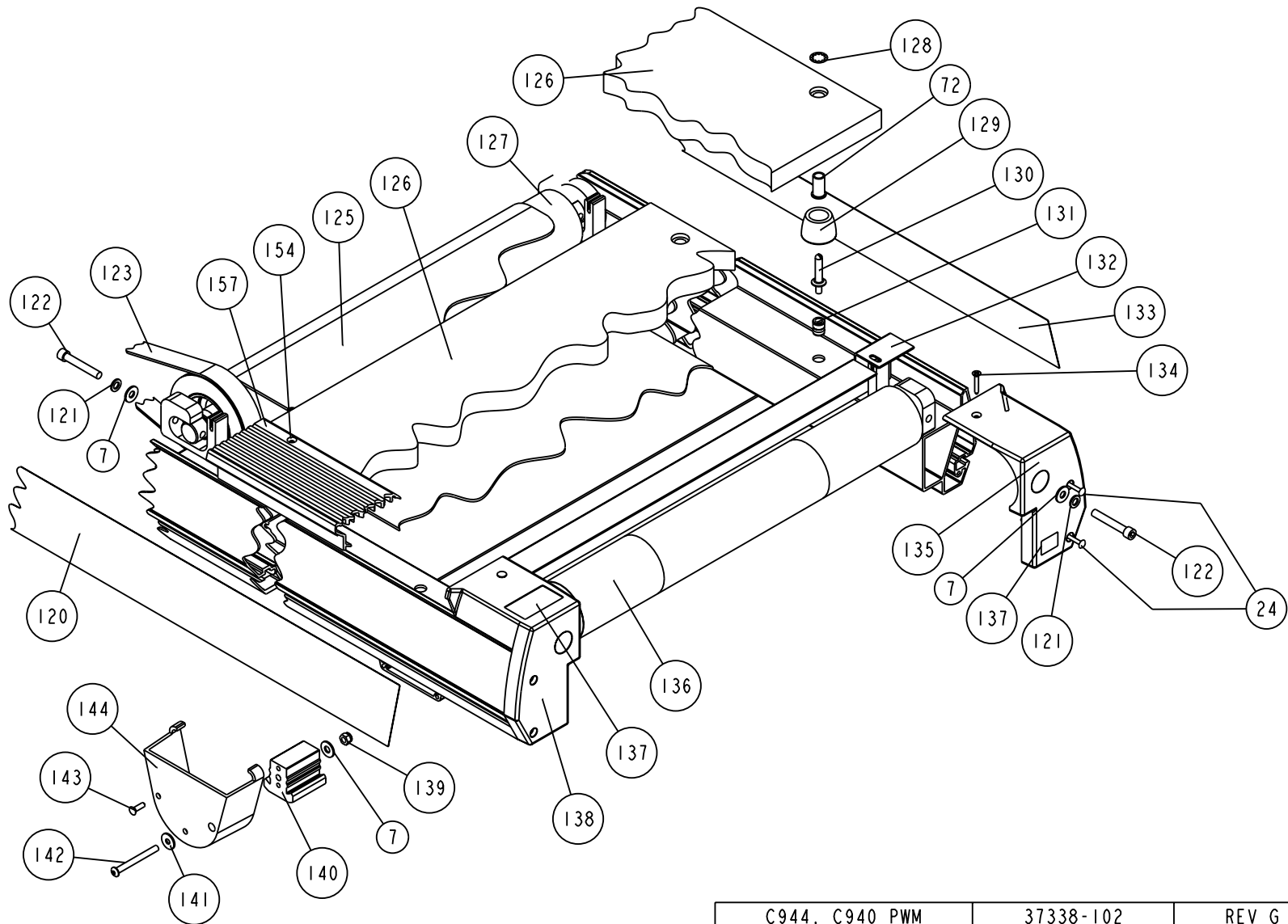
Ⓢ NOTE:

1. THIS SHEET APPLIES TO C944 PWM ONLY.

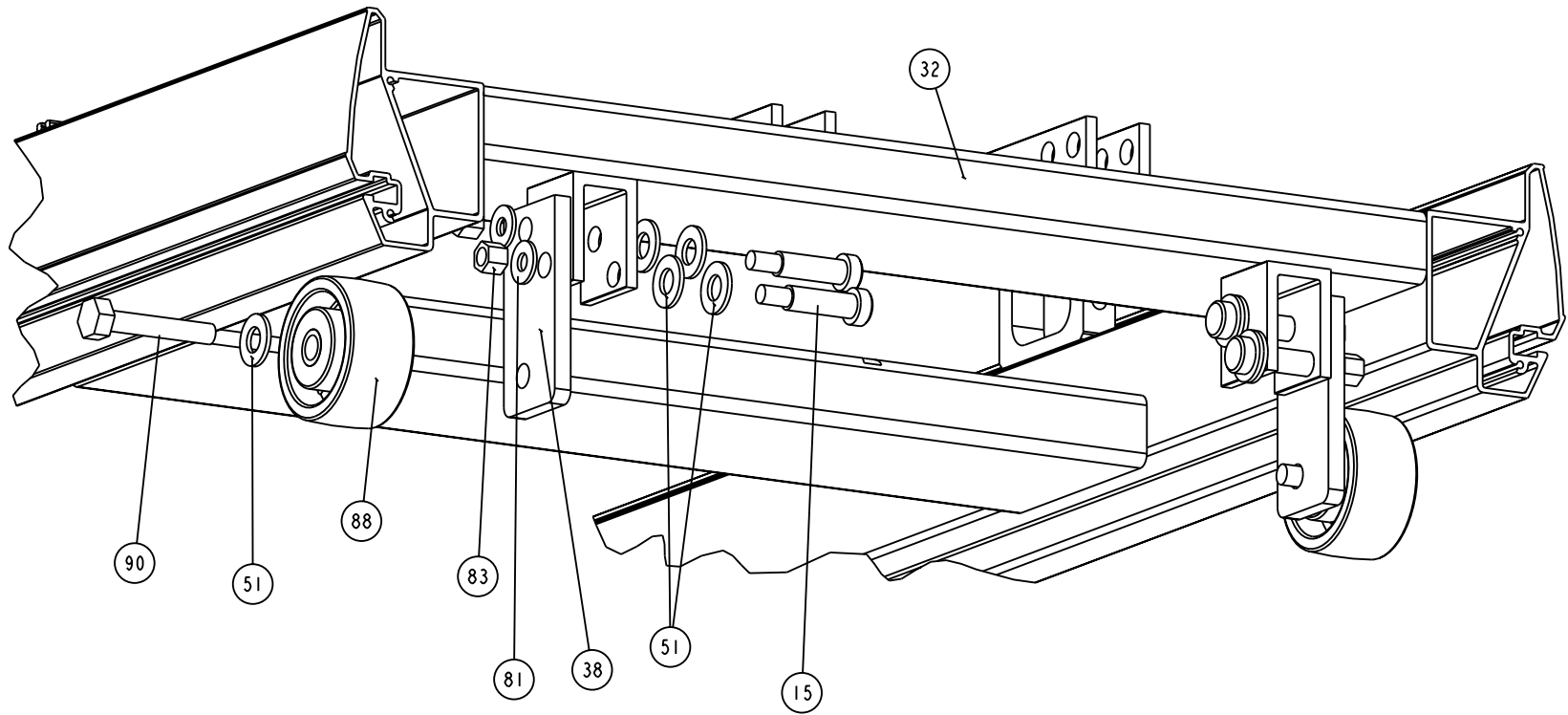
C944 PWM	37338-102	REV G
DRAWN BY: GRANADOSIN	05/08/02	SHEET 3 OF 6



C944, C940 PWM	37338-102	REV G
DRAWN BY GRANADOSIN	05.08.02	SHEET 4 OF 6



C944, C940 PWM	37338-102	REV G
DRAWN BY: GRANADOSIN	05/08.02	SHEET 5 OF 6



Ⓓ NOTE:

1. THIS SHEET APPLIES TO C940 PWM ONLY.

C944, C940 PWM	37338-102	REV G
DRAWN BY: GRANADOSIN	05/08/02	SHEET 6 OF 6