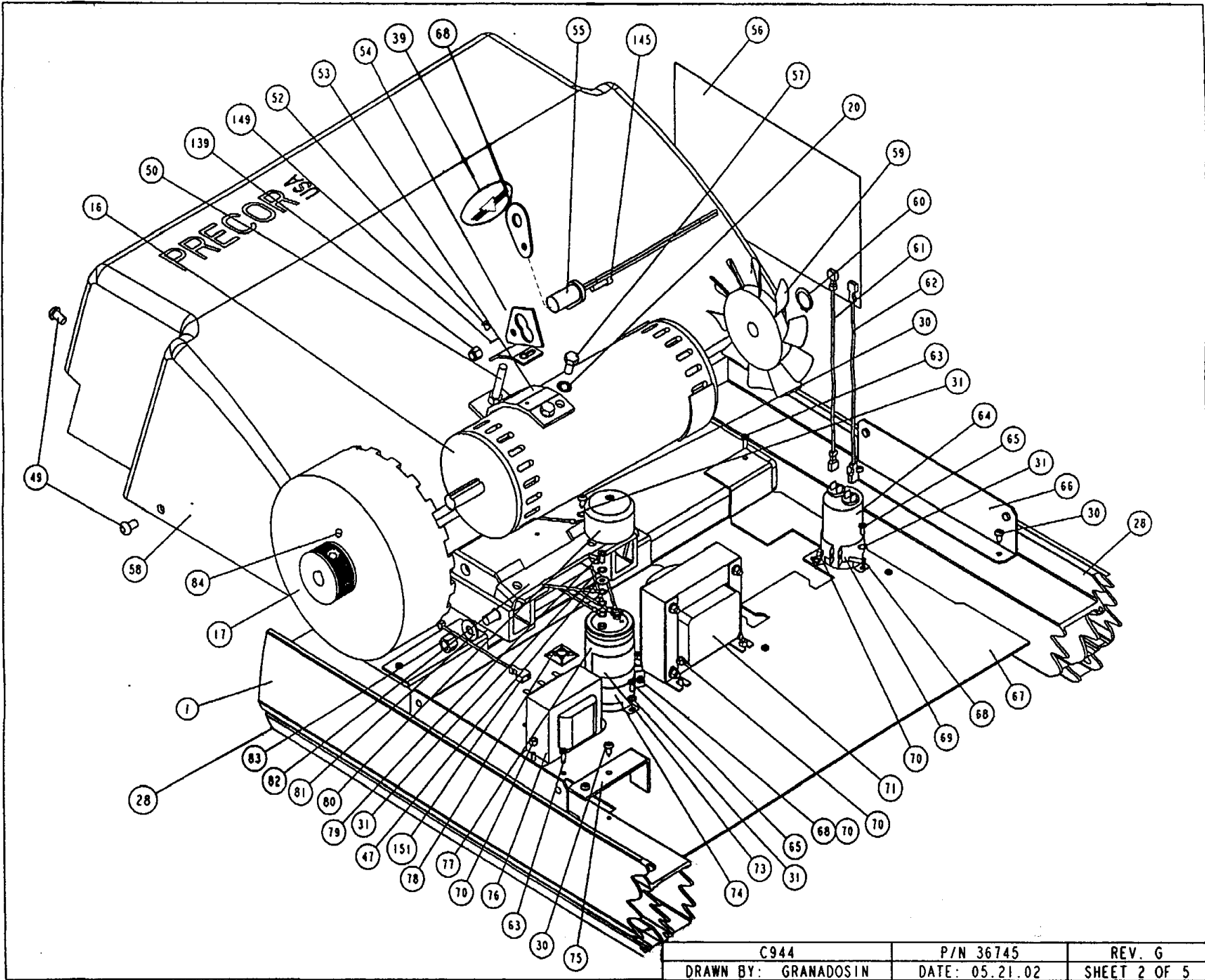
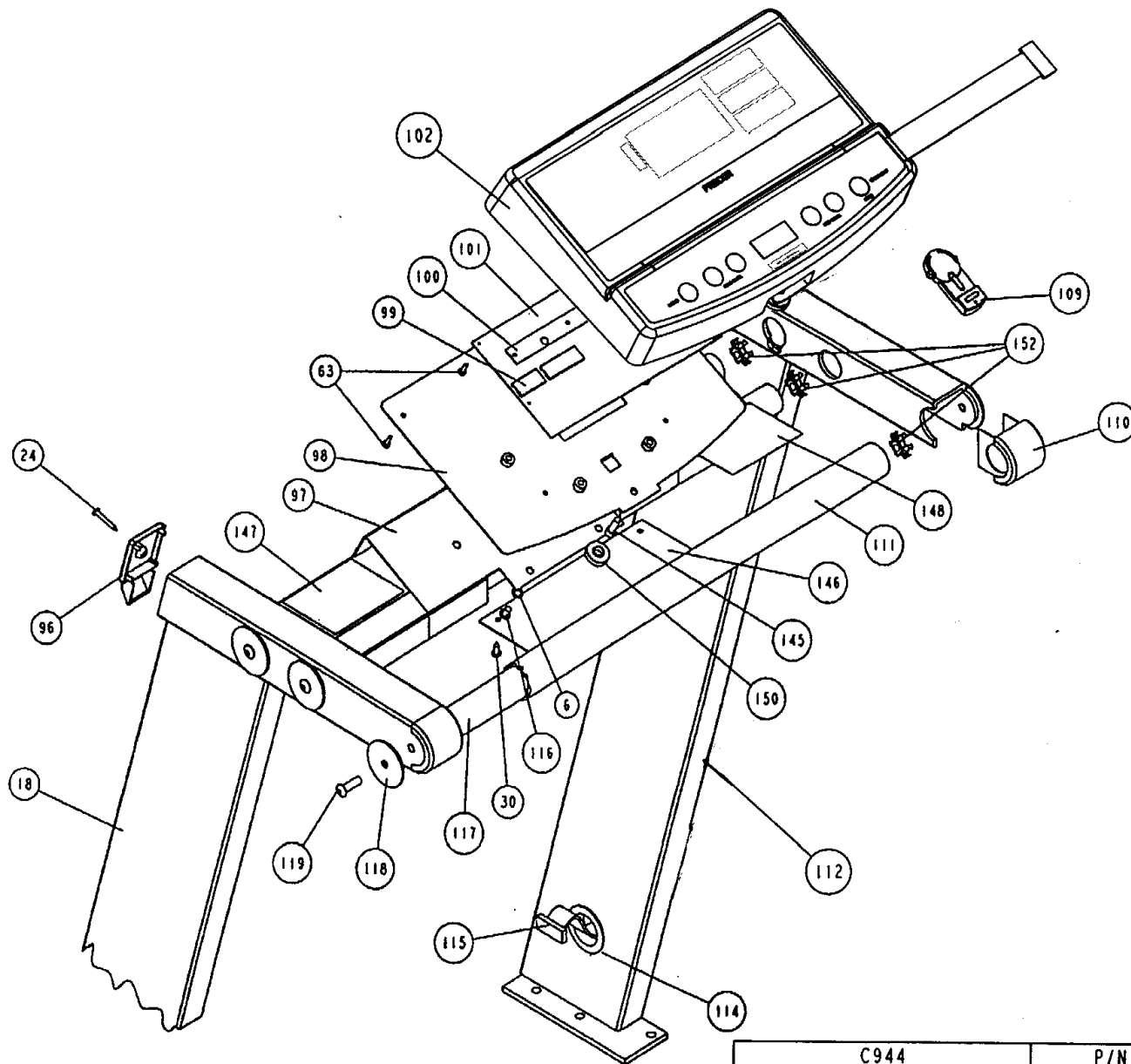


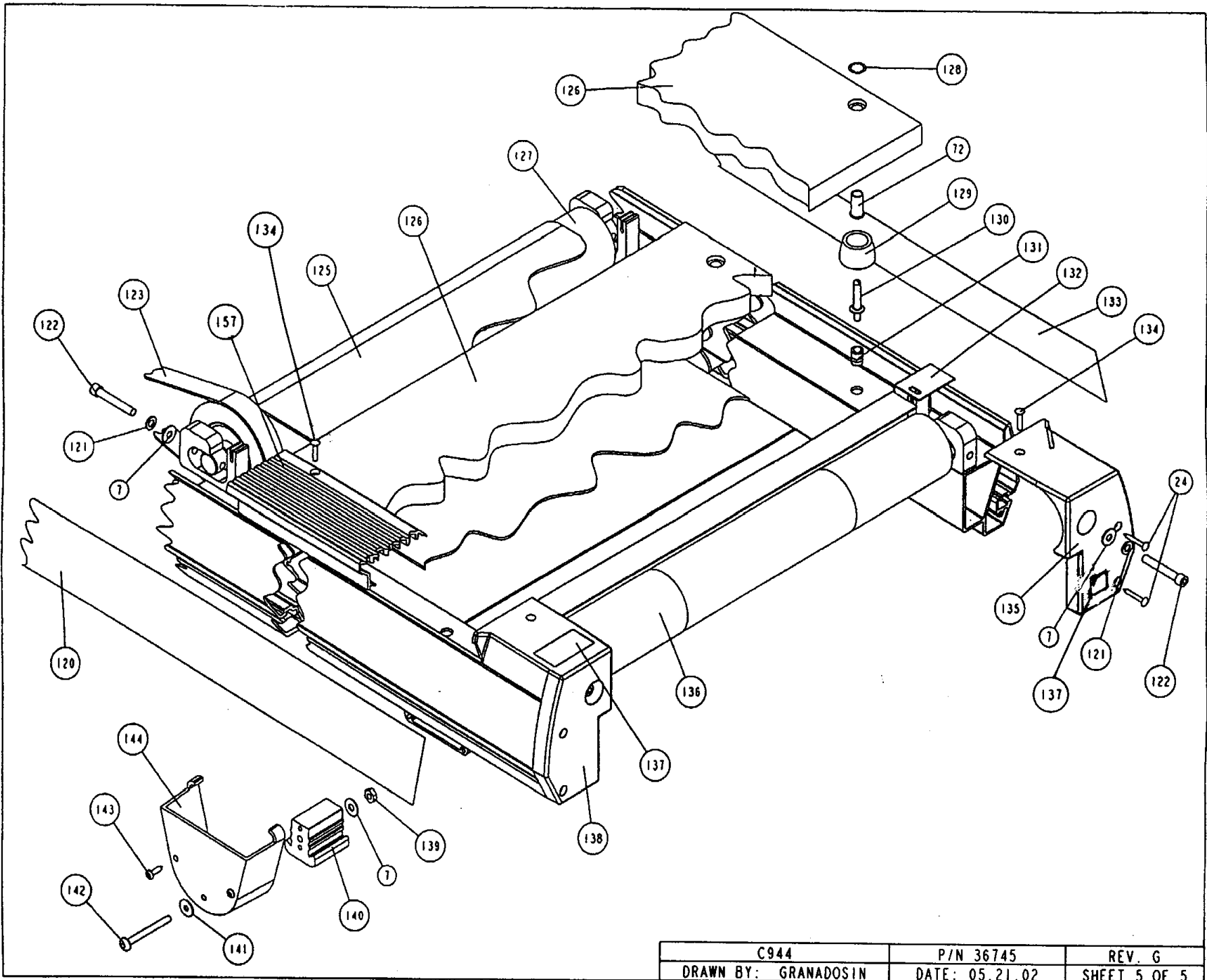
C944	P/N 36745	REV. G
DRAWN BY: GRANADOSIN	DATE: 05.21.02	SHEET 1 OF 5



C944	P/N 36745	REV. G
DRAWN BY: GRANADOSIN	DATE: 05.21.02	SHEET 2 OF 5



C944	P/N 36745	REV. G
DRAWN BY: GRANADOSIN	DATE: 05.21.02	SHEET 4 OF 5



C944	P/N 36745	REV. G
DRAWN BY: GRANADOSIN	DATE: 05.21.02	SHEET 5 OF 5