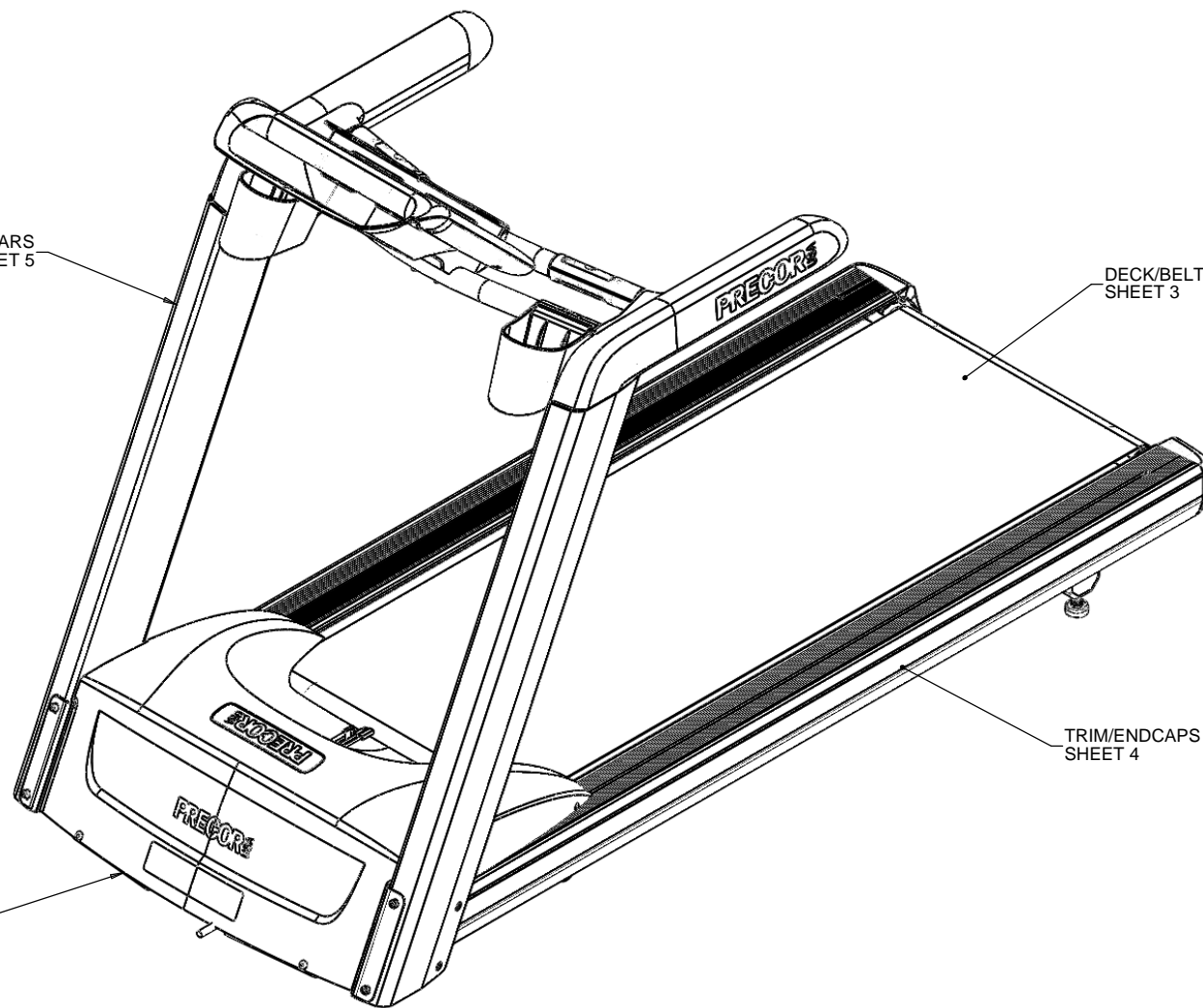


TARGAS/HANDLEBARS
SHEET 5

DECK/BELT/ROLERS
SHEET 3

TRIM/ENDCAPS
SHEET 4

LIFT PLATFORM/ELECTRONICS
SHEET 2



9.3X-07

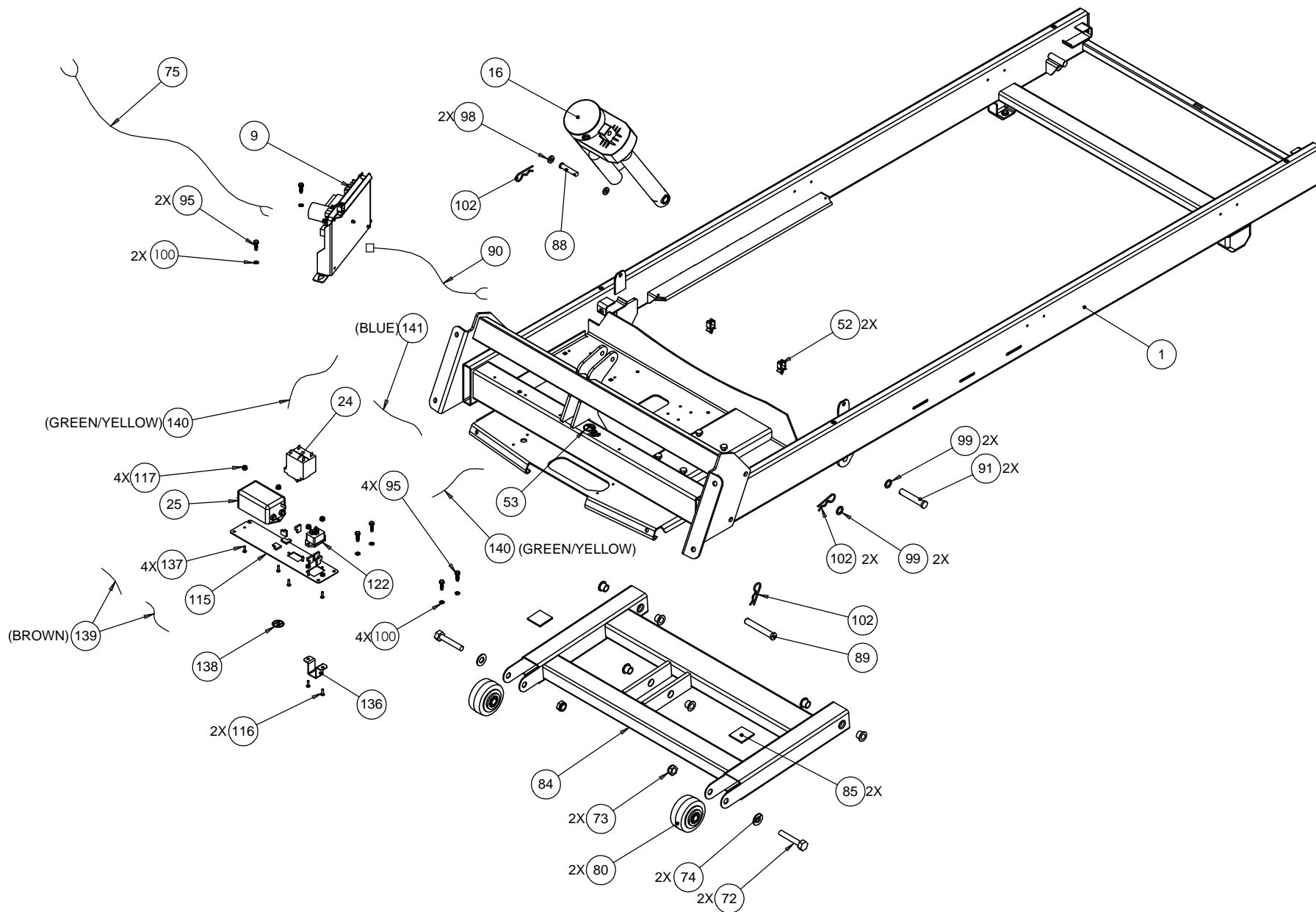
P/N : 49823-101

SUBREV : W

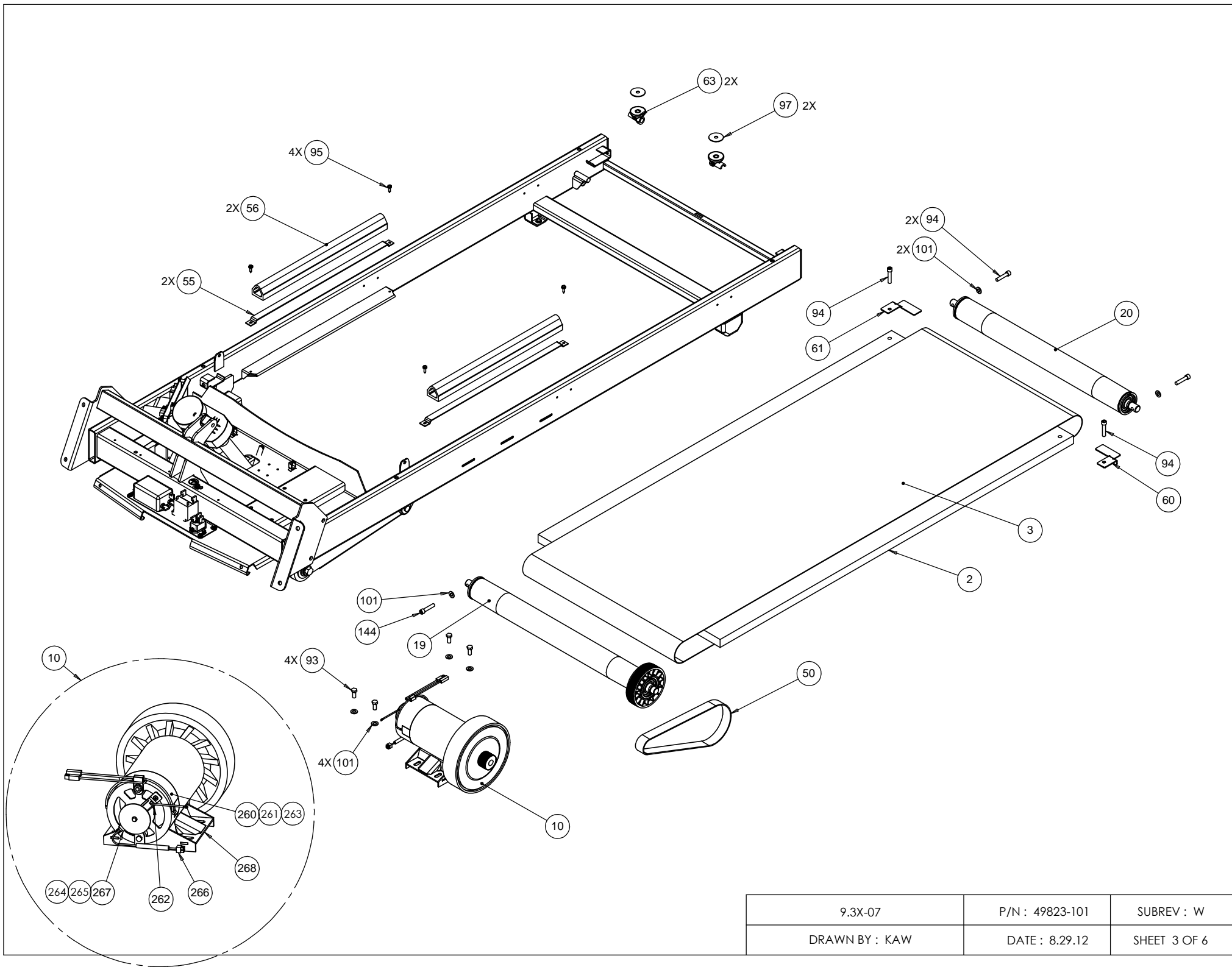
DRAWN BY : KAW

DATE : 8.29.12

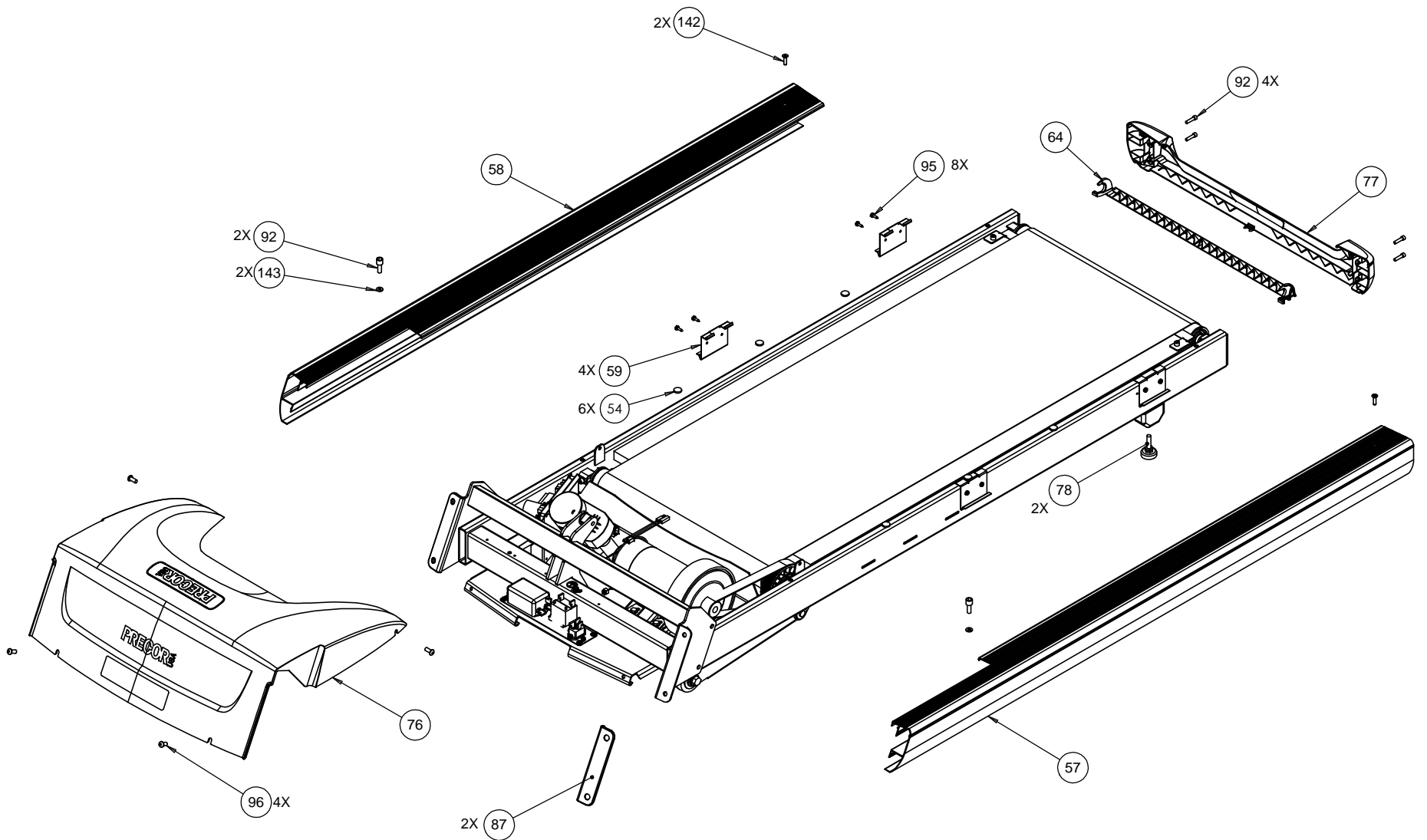
SHEET 1 OF 6



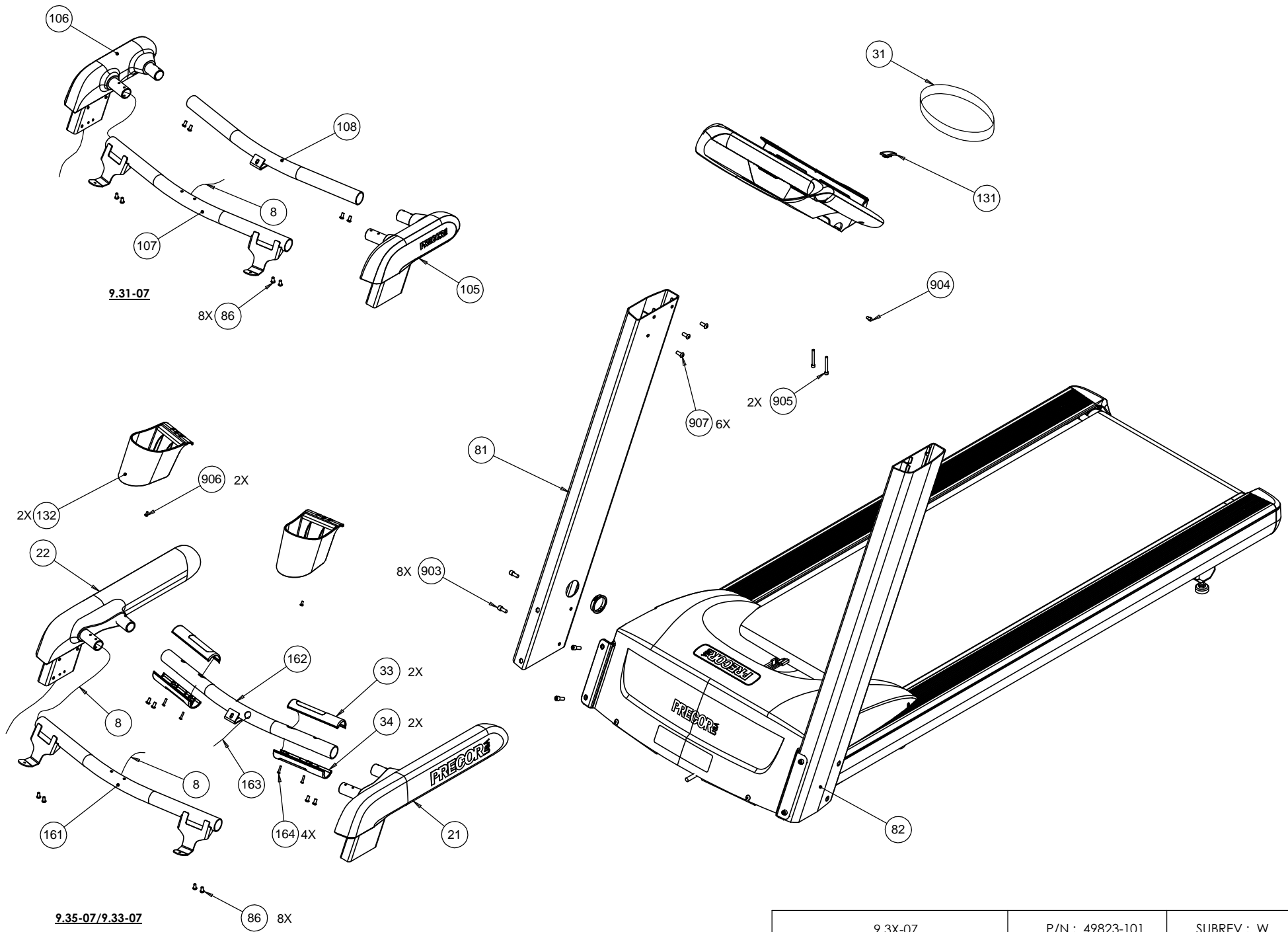
9.3X-07	P/N : 49823-101	SUBREV : W
DRAWN BY : KAW	DATE : 8.29.12	SHEET 2 OF 6



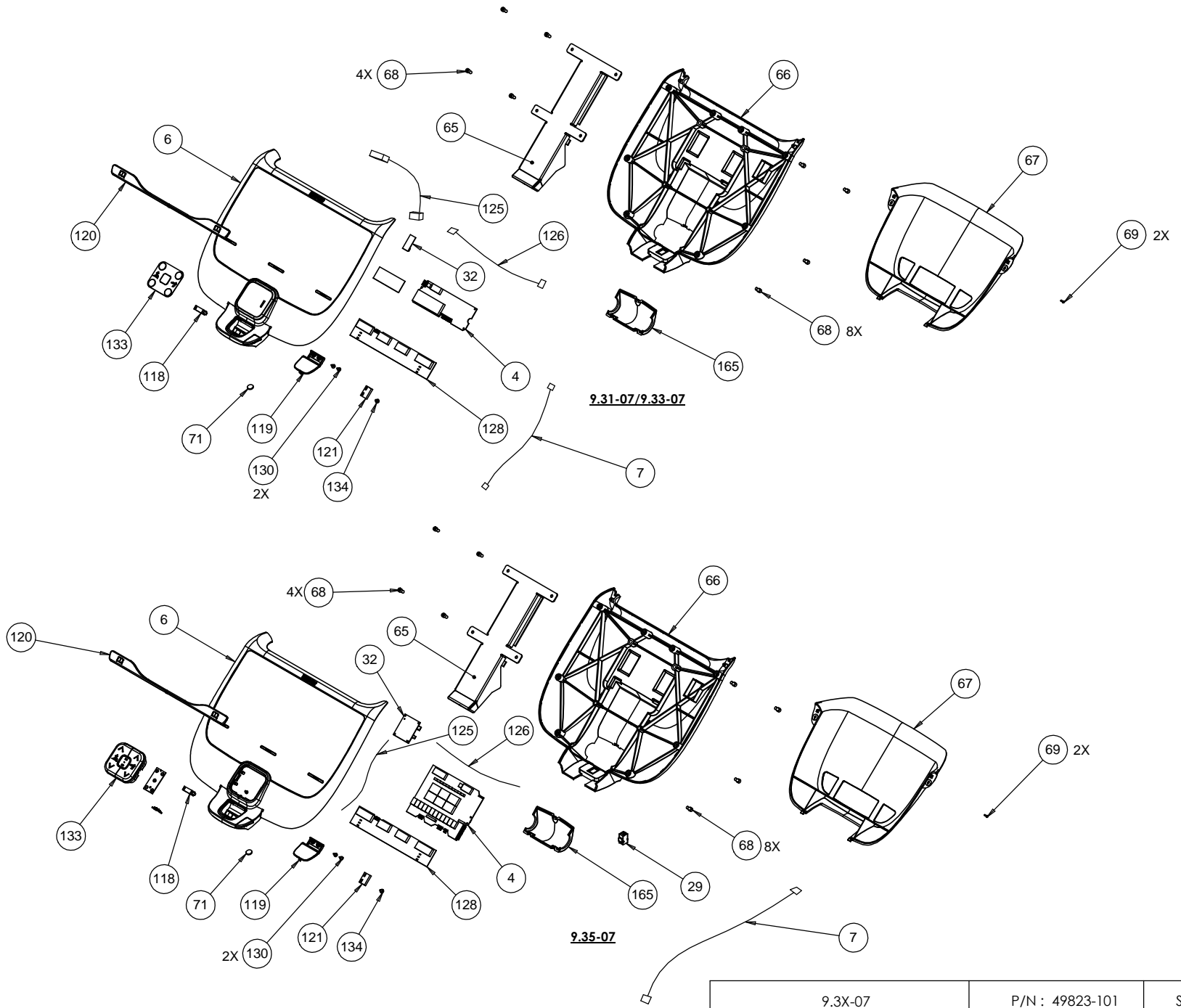
9.3X-07	P/N : 49823-101	SUBREV : W
DRAWN BY : KAW	DATE : 8.29.12	SHEET 3 OF 6



9.3X-07	P/N : 49823-101	SUBREV : W
DRAWN BY : KAW	DATE : 8.29.12	SHEET 4 OF 6



9.3X-07	P/N : 49823-101	SUBREV : W
DRAWN BY : KAW	DATE : 8.29.12	SHEET 5 OF 6



9.3X-07	P/N : 49823-101	SUBREV : W
DRAWN BY : KAW	DATE : 8.29.12	SHEET 6 OF 6

9.35 (serial code AJND)

Part Number	Description	Bubble Number
PPP00000059120101	DECK WITH SHIPPER, 9.3X-07	2
PPP00000036355130	RUNNING BELT, SIEGLING, 120 X 22, N	3
PPP000000048434403	PCA,DISPLAY,CL	4
PPP000000059119101	DISPLAY ASSY, 9.35	6
PPP000000044905018	ASSY,CBL,MOD,8P8C,1-1,SILVER,18"	7
PPP000000049809066	ASSY,CBL,MOD,8P8C,1-1,SLEEVED,66"	8
PPP000000300745102	ASSEMBLY, LOWER PCA	9
PPP000000059125101	KIT, DRIVE MOTOR W/PACKAGING, 9.3X-	10
PPP000000020113101	SENSOR, TACHOMETER, MCMILLAN	11
PPP000000044064105	LIFT ACTUATOR, 120V	16
PPP000000035673102	ASSEMBLY, FRONT ROLLER 9.3X-07	19
PPP000000035677102	ASSEMBLY, REAR ROLLER 9.3X-07	20
PPP000000035682101	HANDLEBAR, LEFT, 9.35-07/9.33-07	21
PPP000000035683101	HANDLEBAR, RIGHT, 9.35-07/9.33-07	22
PPP000000046985144	PWR CORD,125VAC,15A,NEMA 5-15RA/IEC	23
PPP000000010435101	CKT BRKR,250V,MAGNETIC,ROCKER,	24
PPP000000011224104	FILTER, POWER LINE, 250VAC, 16A, GE	25
PPP000000011415102	COUPLER,MOD,8P8C,INLINE,SNAP-IN	29
PPP000000038819103	TRANSMITTER, POLAR T34, HEARTRATE,W	31
PPP000000043579108	ASSY BOARD, CHR, CONTACT PRIORITY/	32
PPP000000035700101	GRIP, HHR, TOP 9.3X-07	33
PPP000000035701101	GRIP, HHR, BOTTOM 9.3X-07	34
PPP000000010217144	BELT, DRIVE, POLY V (JASON INDUSTRI	50
PPP000000011278101	CABLE CLAMP,INSERT	52
PPP000000033984101	LABEL, SAFETY, GROUND SYMBOL	53
PPP000000012861101	DISK, FELT, 1/8 THICK X 3/4 OD, ACR	54
PPP000000035671101	STRAP, GFX 9.3X-07	55
PPP000000035672101	SPRING, GFX 9.3X-07	56
PPP000000035686101	TRIM, SIDERAIL, LEFT	57
PPP000000035686102	TRIM, SIDERAIL, RIGHT	58
PPP000000035813101	SUPPORT, SIDERAIL TRIM, STEEL BRACK	59
PPP000000035690101	BRIDGE, ROLLER, LEFT	60
PPP000000035690102	BRIDGE, ROLLER, RIGHT	61
PPP000000035693101	PIVOT, DECK MOUNT, 9.3X-07	63
PPP000000035695102	GUARD, BELT, BLACK	64
PPP000000035694101	WELDMENT, DISPLAY BRACKET 9.3X-07,	65
PPP000000035711101	PANEL, BACK, 9.3X-07 DISPLAY	66
PPP000000035712101	MAGAZINE HOLDER, 9.3X-07 DISPLAY	67
PPP00000CAMN025050	SCREW,SKHD,1/4-20X0.50,ZN (MECH PLA	68
PPP00000PFNN016050	SCREW,S/T,#8 X0.50,PANHD,STAINLESS,	69
PPP000000035800101	DISK, MAGNET STOP	71
PPP00000HCTN050250	SCREW,HEX,GR 5,1/2-13X2-1/2,BLK SHA	72
PPP00000KACN050019	LOCKNUT,HALF,1/2-13,ZN	73
PPP00000WBZN050008	WASHER, FLAT,1/2,.086 BLK CVS	74
PPP000000035731018	ASSY,CBL 2COND,14AWG,QK DISC,18"	75
PPP000000035737102	ASSEMBLY, HOOD, 9.3X-07	76
PPP000000035738101	ASSEMBLY, ENDCAP, 9.3X-07	77
PPP000000035744101	FOOT, ADJUSTABLE	78
PPP000000035798101	WHEEL ASSEMBLY, LIFT	80
PPP000000035804101	ASSEMBLY, TARGA, RIGHT	81

PPP000000035669101	TARGA, LEFT	82
PPP000000059129101	LIFT PLATFORM ASSY, 9.3X-07, C932I,	84
PPP000000035778101	BUMPER, LIFT PLATFORM	85
PPP00000TCNN025050	SCREW,BTHD,1/4-20X1/2,SS	86
PPP000000035750101	COVER, TARGA BRACKET 9.3X-07	87
PPP000000010401106	PIN,CLEVIS, 3/8 X 1.75, ZINC	88
PPP000000045669107	PIN, LIFT PIVOT, 3.34, MUSHROOM HEA	89
PPP000000044532018	ASSY,CBL,2 COND,22 AWG,MOLEX, 18"	90
PPP000000045669110	PIN, LIFT PIVOT, 2.90,(2.75 L), MUS	91
PPP00000CATN025100	SCREW,SKHD,1/4-20X1,BLK SHARPERIZED	92
PPP00000HCCN031075	SCREW, HEX HD, GRADE 5, 5/16-18 X .	93
PPP00000CATN031150	SCREW,SKHD,5/16-18X1.50,BLK SHRPRZD	94
PPP00000PLCN019075	SCREW,S/T,#10X3/4,WSHRHXHD,ZN, TYPE	95
PPP00000TCNN031075	SCREW,BTHD,5/16-18X.75,SS	96
PPP000000035722105	ASSEMBLY, DISPLAY FRONT PANEL, 9.35	97
PPP00000WABCN031006	WASHER, FEN, 5/16, ID=.331,	97
PPP00000WACNN038009	WASHER, NYLON, .375 I.D.X.75O.D. X	98
PPP00000WACNN050006	WASHER, NYLON, .50 I.D.X.75	99
PPP00000WAMCN019002	WASHER, LOCK, EXT TOOTH, #10	100
PPP00000WBCN031007	WASHER,FLT,5/16X.688X.065, ZN	101
PPP000000010400103	PIN, HITCH, .093 DIA, ZINC, #203	102
PPP000000035727102	PLATE, POWER ENTRY	115
PPP00000MGCN019050	SCREW, MACHINE, 10-24X1/2, PANHD, P	116
PPP00000KGCN013011	LOCKNUT, STARWASHER 6-32, #6	117
PPP000000012259102	SWITCH,MICRO,PLUNGER,SPNC	118
PPP000000035714101	STOP RELEASE, 9.3X-07 DISPLAY	119
PPP000000035715102	MEDIA RACK, DISPLAY 9.3X-07	120
PPP000000035732008	ASSY,CBL, STOP AND SAFETY SWITCH 8"	121
PPP000000045381101	IEC 16/20A POWER CORD INLET	122
PPP000000049800004	ASSY,CABLE, 6C,.1 CTR,1-1,TIN, W/FE	123
PPP000000035754008	ASSY,CABLE,6C,.1 CTR,1-1,TIN, 8"	124
PPP000000049893018	ASSY,CBL,HSG TO MINI-FIT REC,4P4C,1	125
PPP000000049801011	ASSY, CABLE, HHR TO DISPLAY, W/FER	126
PPP000000048947153	ASSY, PCA & SW, DISPLAY-C, METRICS,	128
PPP00000PFNN016050	SCREW,S/T,#8 X0.50,PANHD,STAINLESS,	130
PPP000000035781101	ASSEMBLY, SAFETY STOP, 9.3X-07	131
PPP000000035794101	MULTIHOLDER	132
PPP000000059213101	ASSY W/BOARD,D-PAD, 5 POSITION, TRE	133
PPP00000PBCN011038	SCREW,S/T,#4X 3/8,PANHD,PHIL,ZN	134
PPP000000012853004	TAPE,POLYIMIDE FILM,SILICONE ADHESI	135
PPP000000048761101	CLAMP, POWER CORD	136
PPP00000MGCN013038	SCREW,MCH,6-32X3/8,PANHD,PHIL,	137
PPP000000037436101	LABEL, CHASIS NEUTRAL	138
PPP000000044528005	ASSY,CBL,1 C0ND,14AWG,QK DISC,5",BR	139
PPP000000044534006	ASSY,CBL,1COND,14AWG,QK DISC,6"	140
PPP000000035730007	ASSY,CBL,1 C0ND,14AWG,QK DISC, 7" ,	141
PPP00000CNNN025100	SCREW, CAP, FLAT HEAD, STAINLESS, H	142
PPP00000WBCN025006	WASHER,FLT,1/4X.500X.063,ZN (MECH	143
PPP00000CATN031200	SCREW,SKHD,5/16-18X2,BLK SHARPERIZE	144
PPP000000035797101	WELDMENT, CROSS TUBE, DISPLAY SUPPO	161
PPP000000035708101	WELDMENT, CROSSTUBE, HANDLE, HHR	162
PPP000000048421018	ASSY, CABLE, HHR GRIP, W/SHIELD,18	163

PPP00000TCNN016075	SCREW, BTHD, 8-32X.75,SS	164
PPP000000035713101	COVER, CROSS BAR, 9.3X-07 DISPLAY	165
PPP000000035782103	KIT, HARDWARE, 9.3X-07	200
PPP000000057051101	9.3X BRACKET REPLACEMENT KIT	201
PPP000000020002114	BRUSH W/ LEAD ASSY, RED, MCMILLAN S	260
PPP000000020002115	BRUSH W/ LEAD ASSY, BLACK, MCMILLAN	261
PPP000000020111101	GROUND BRUSH ASSY, MCMILLAN S3456B3	262
PPP000000020112101	BRUSH COVER, MCMILLAN S3456B3329	263
PPP000000020114101	INTERRUPTER, 10 TOOTH, TACHOMETER,	265
PPP000000020115101	CABLE, TACHOMETER, MCMILLAN	266
PPP000000020116101	BRACKET, TACHOMETER SENSOR, MCMILLA	267
PPP000000020117101	BASE, MOTOR, MCMILLAN	268
PPP000000020118101	GROUND WIRE, 7.5 INCH, MCMILLAN	269
PPP000000010186119	WRENCH, ALLEN, 3/16 X 4.5"	901
PPP000000010186122	WRENCH, ALLEN, 1/4 X 3.5" X 6.0"	902
PPP00000CAMN031075	SCREW,SKHD,5/16-18X0.75,ZN (MECH PL	903
PPP00000CATN025088	SCREW,SKHD,1/4-20X7/8,BLK SHARPERIZ	904
PPP00000CATN025200	SCREW,SKHD,1/4-20X2,BLK SHARPERIZED	905
PPP00000MGCN016038	SCREW,MCH,8-32X3/8,PANHD,PHIL,	906
PPP00000TCNN031075	SCREW,BTHD,5/16-18X.75,SS	907
PPP00000WALCN031008	WASHER, 5/16 SPLIT LOCK, ZINC	908