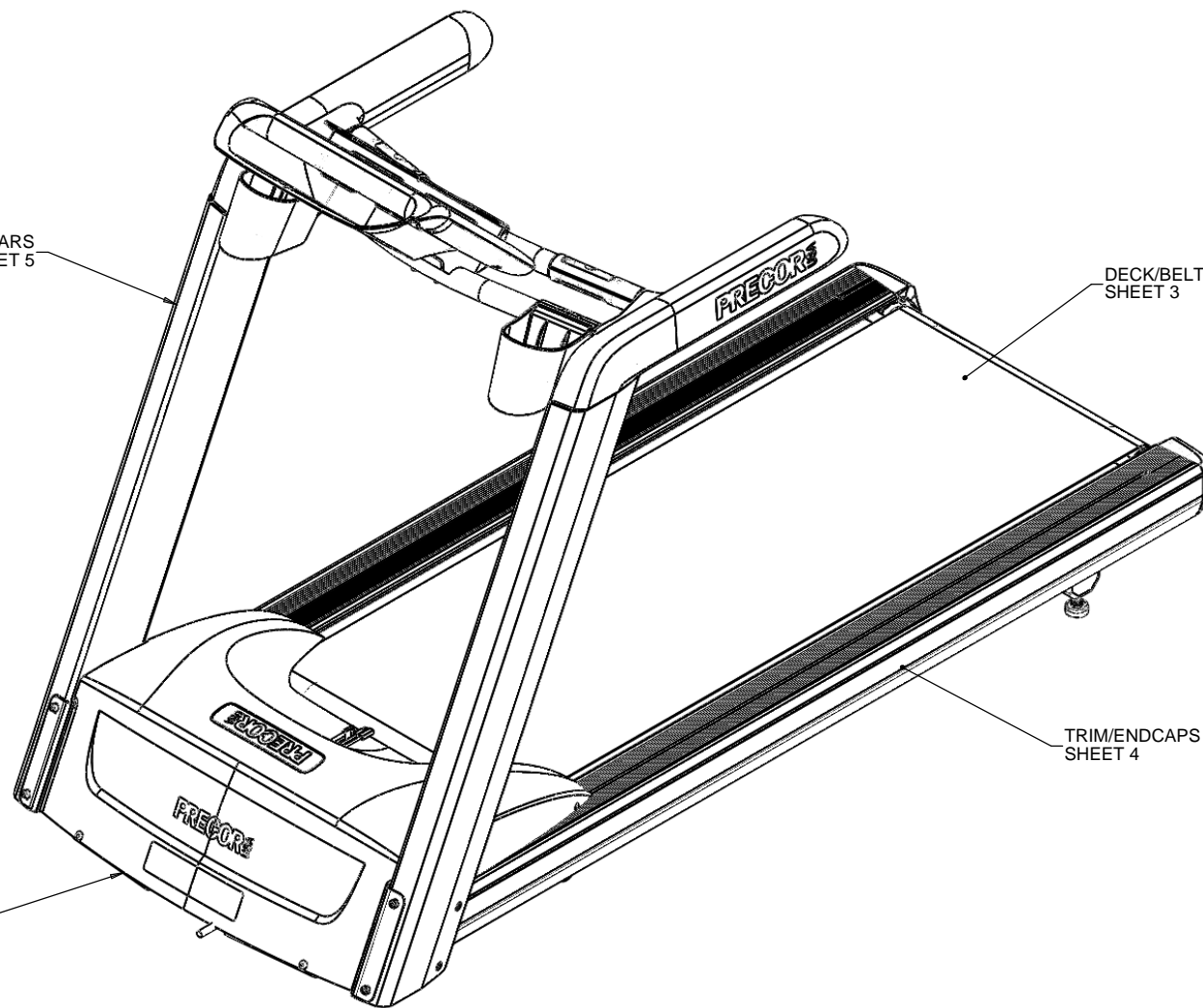


TARGAS/HANDLEBARS  
SHEET 5

DECK/BELT/ROLERS  
SHEET 3

TRIM/ENDCAPS  
SHEET 4

LIFT PLATFORM/ELECTRONICS  
SHEET 2



9.3X-07

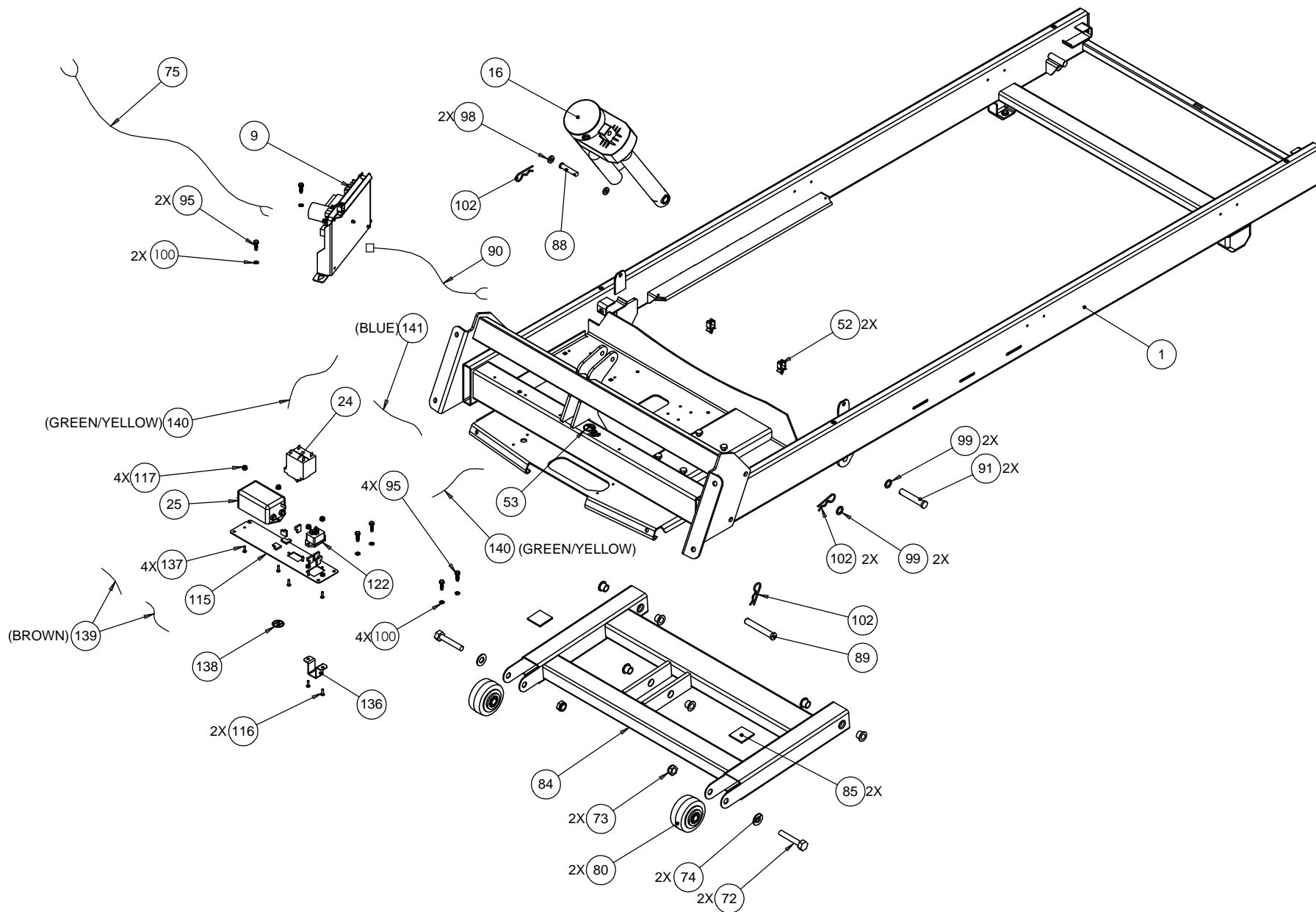
P/N : 49823-101

SUBREV : W

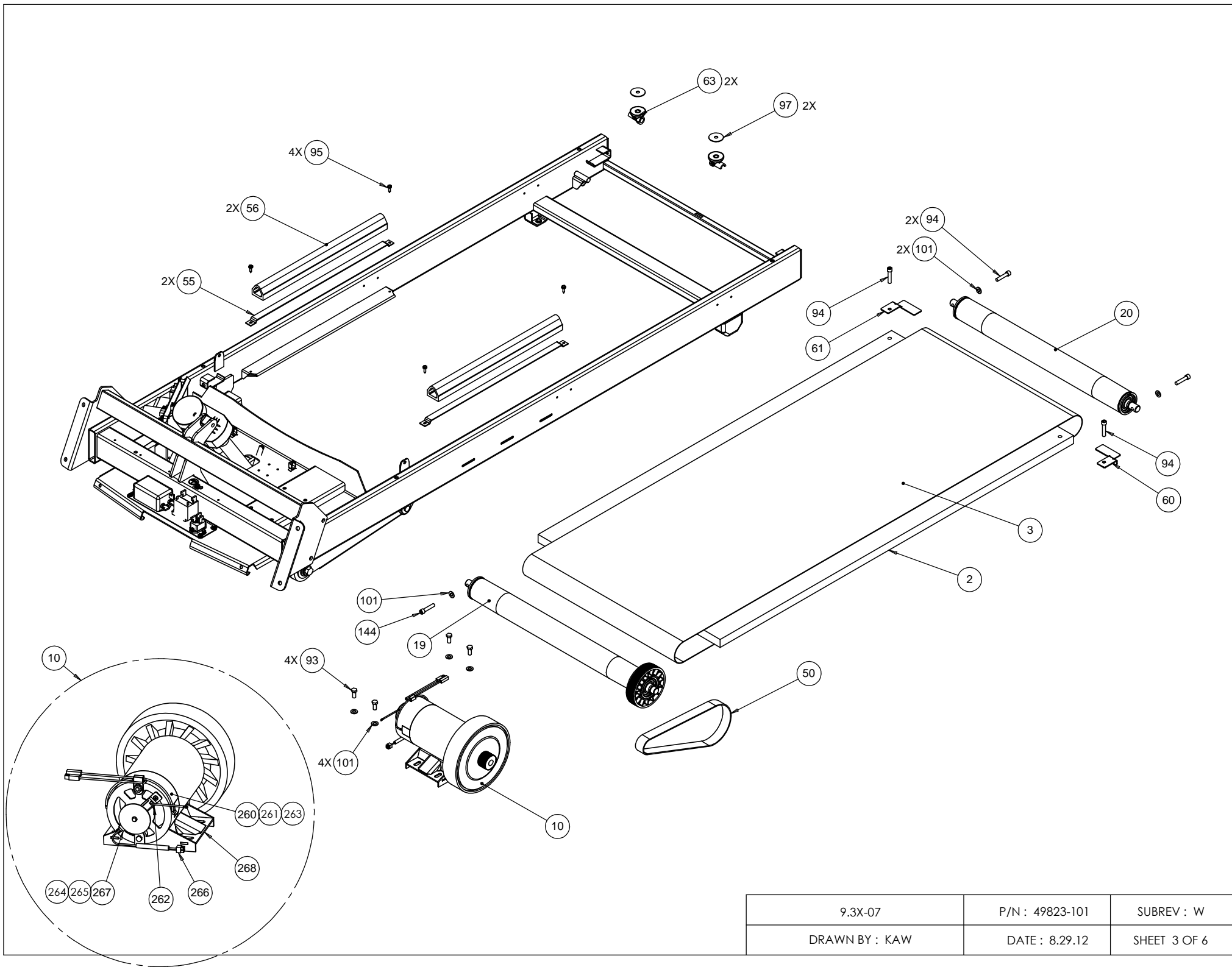
DRAWN BY : KAW

DATE : 8.29.12

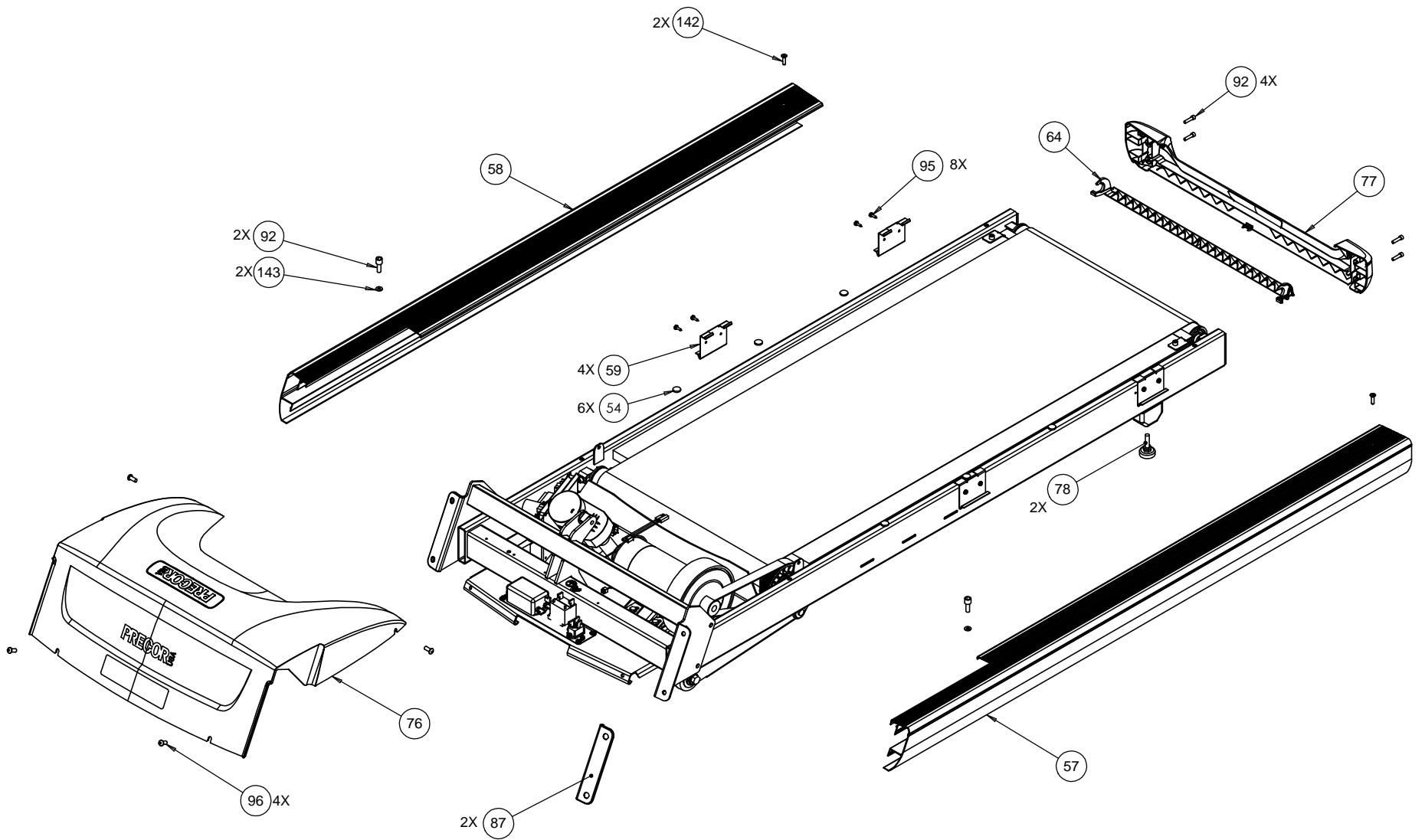
SHEET 1 OF 6



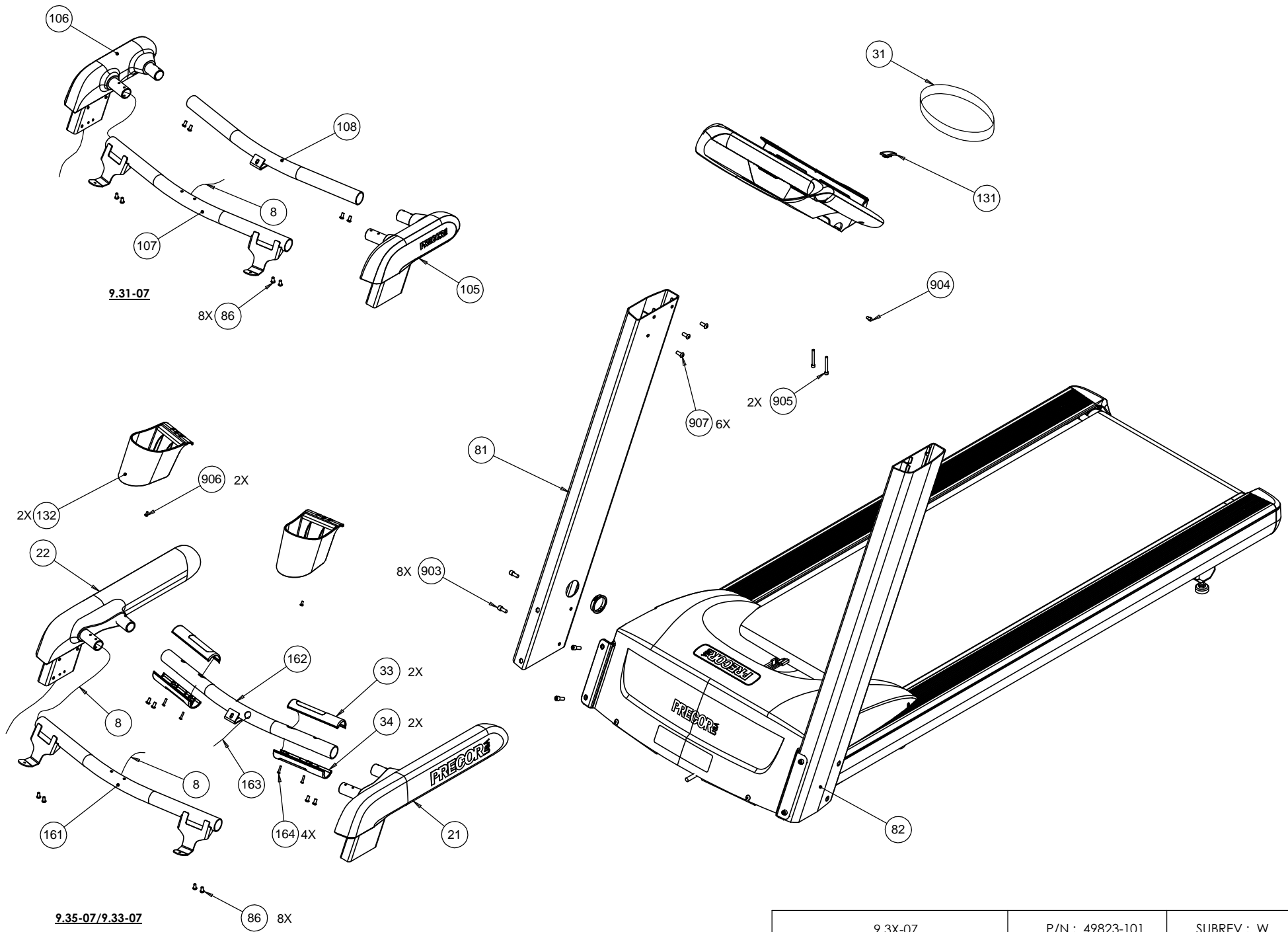
9.3X-07	P/N : 49823-101	SUBREV : W
DRAWN BY : KAW	DATE : 8.29.12	SHEET 2 OF 6



9.3X-07	P/N : 49823-101	SUBREV : W
DRAWN BY : KAW	DATE : 8.29.12	SHEET 3 OF 6

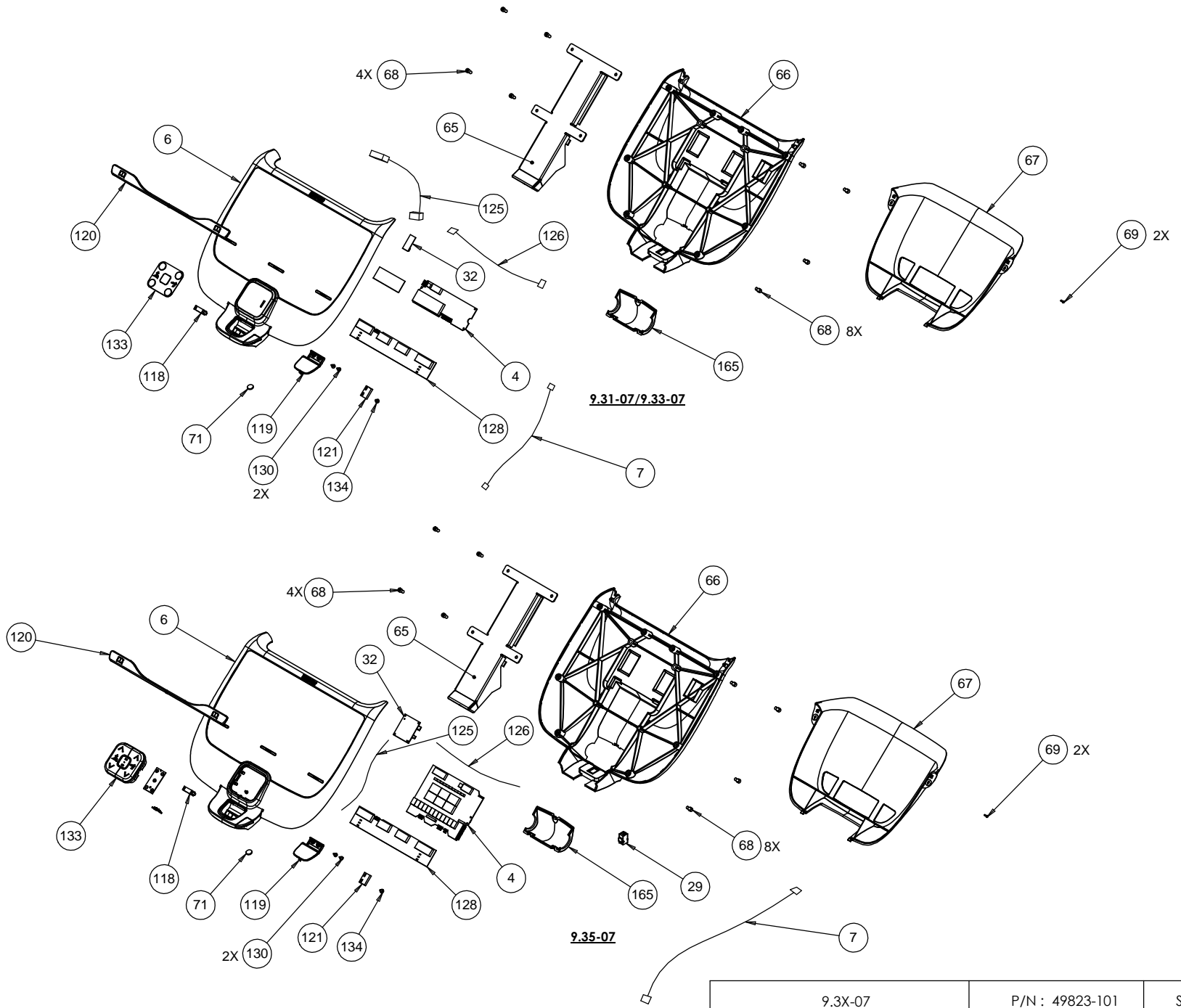


9.3X-07	P/N : 49823-101	SUBREV : W
DRAWN BY : KAW	DATE : 8.29.12	SHEET 4 OF 6



9.35-07/9.33-07

9.3X-07	P/N : 49823-101	SUBREV : W
DRAWN BY : KAW	DATE : 8.29.12	SHEET 5 OF 6



9.3X-07	P/N : 49823-101	SUBREV : W
DRAWN BY : KAW	DATE : 8.29.12	SHEET 6 OF 6