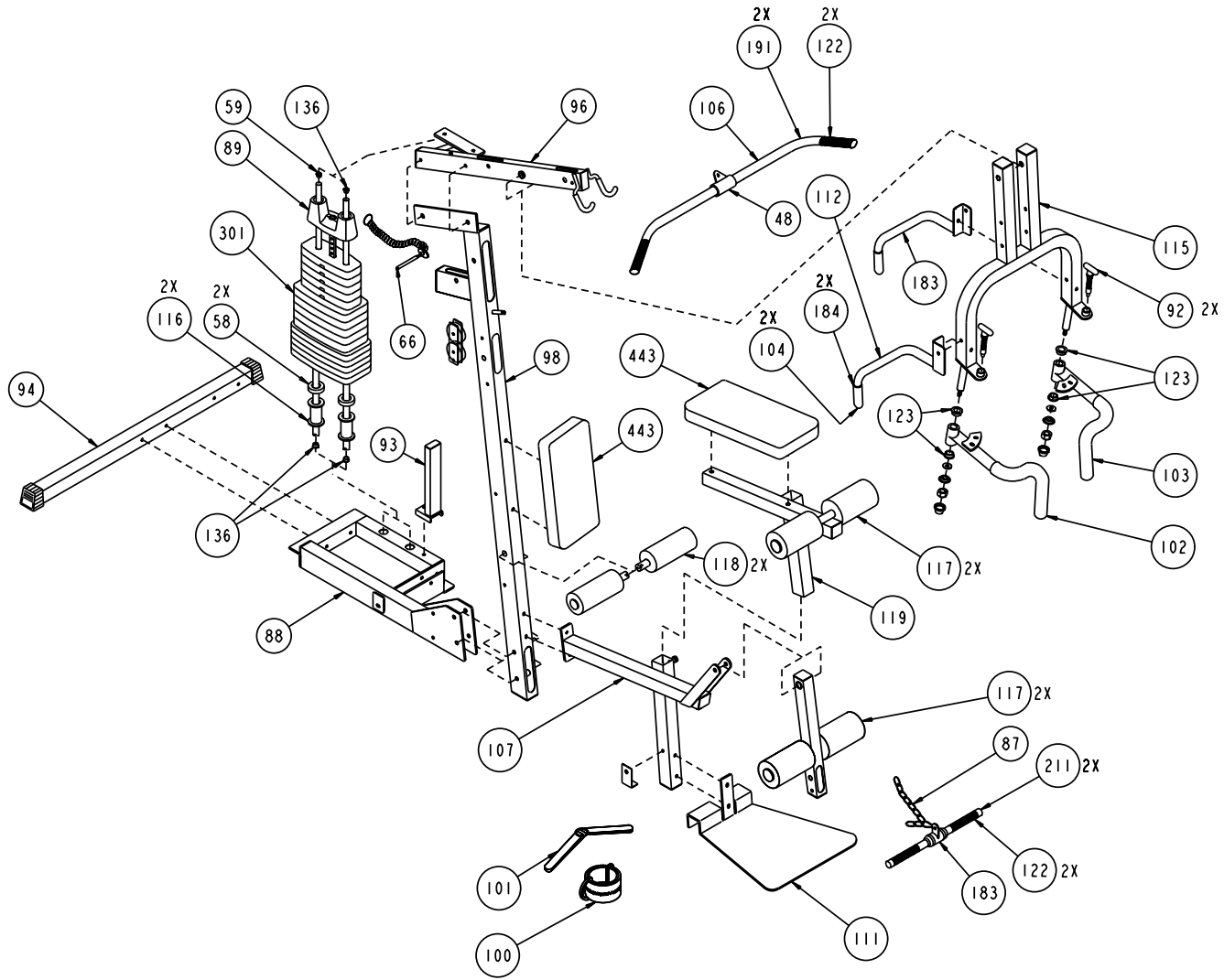
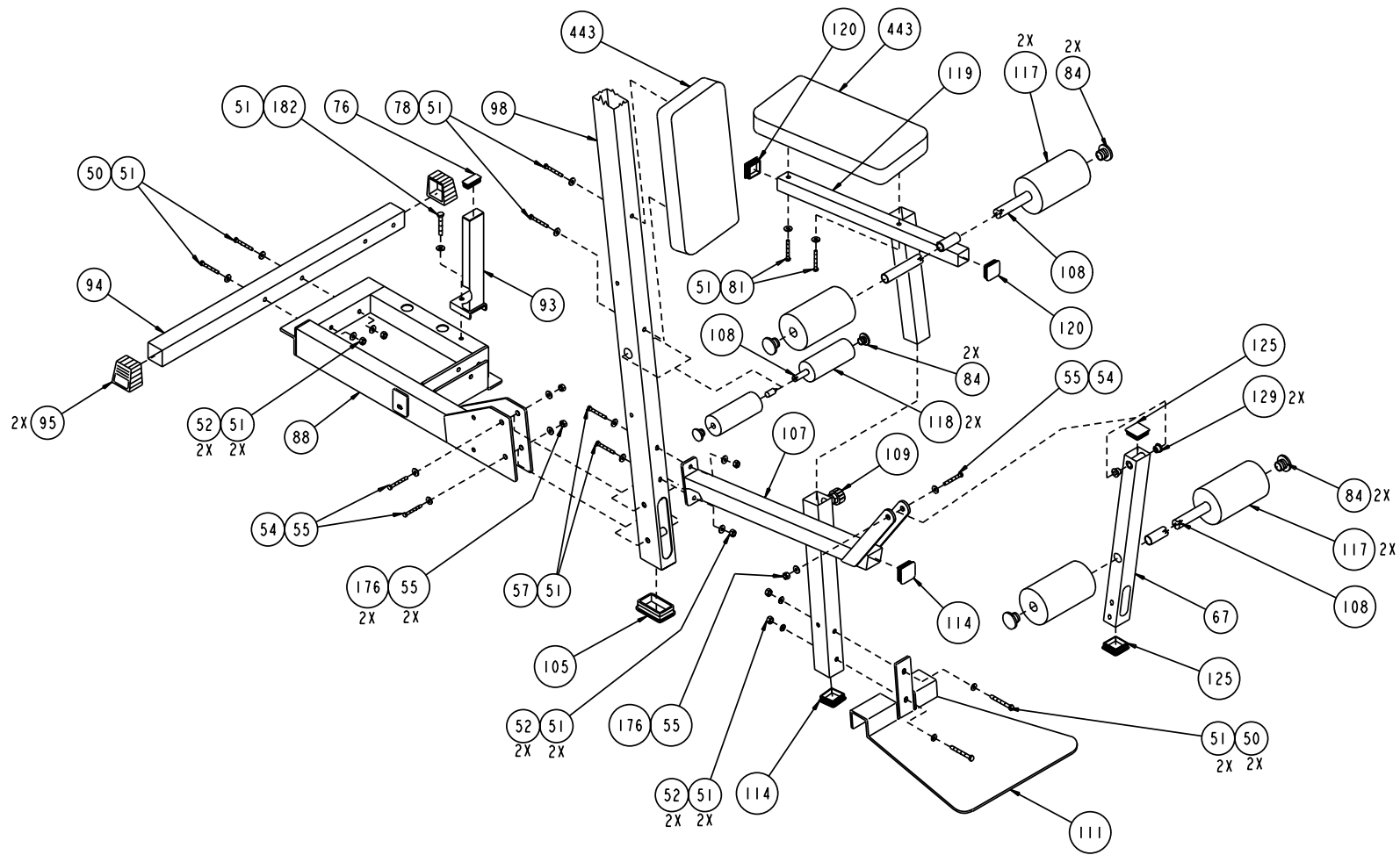


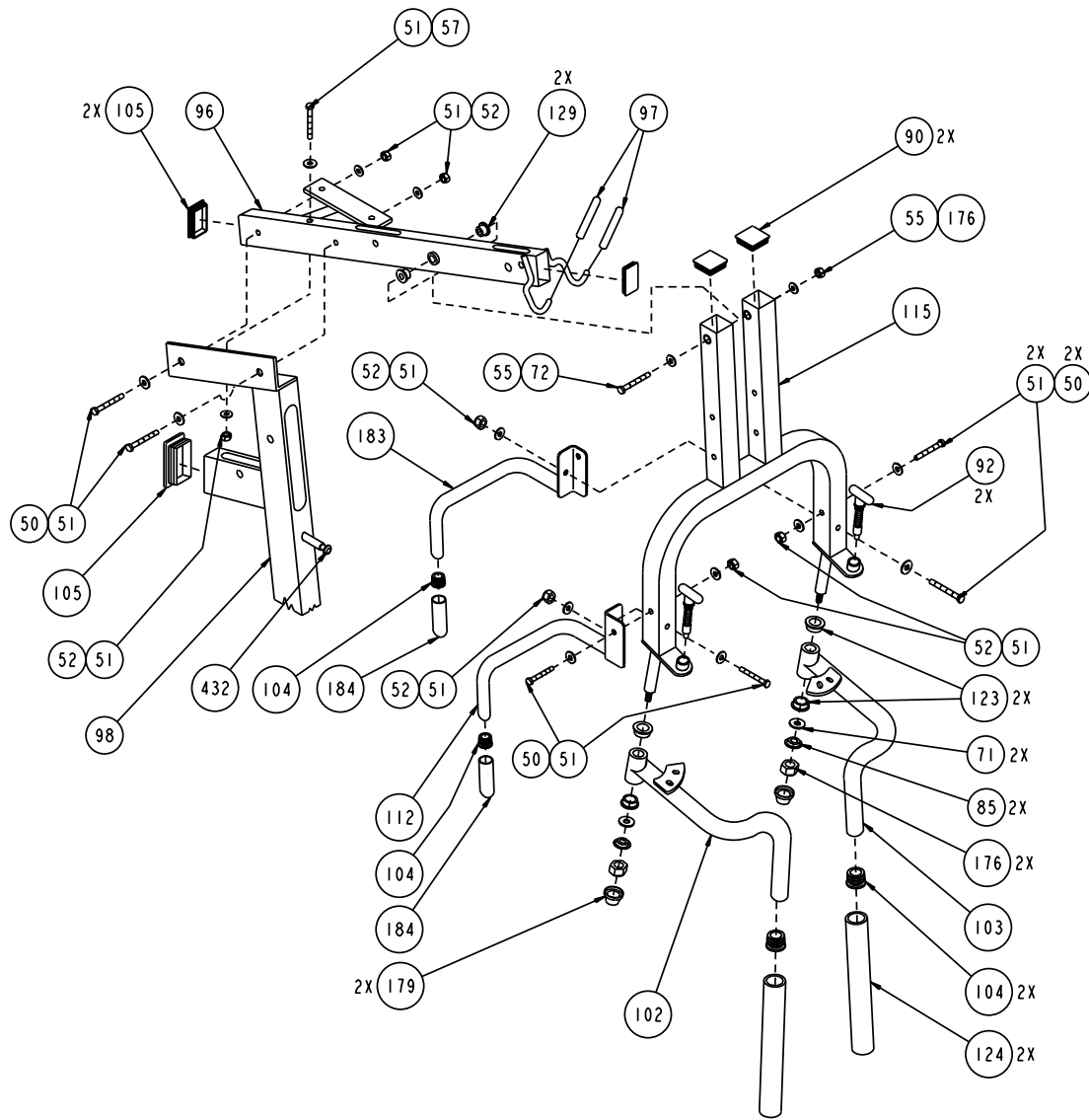
ZUMA	P/N: 43399-102	REV: E02
DRAWN BY: GRANADOSIN	DATE: 11.15.04	SHEET 1 OF 11



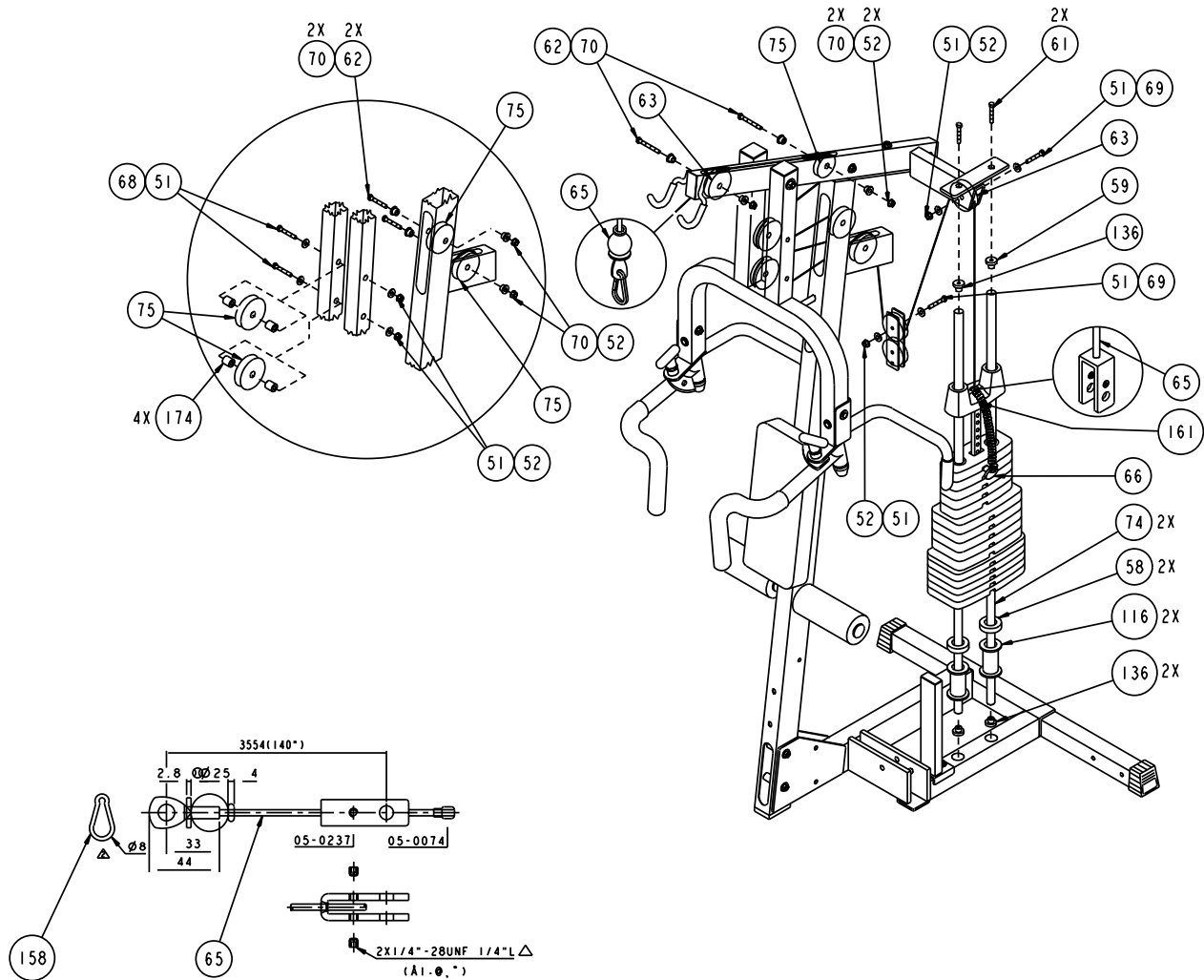
ZUMA	P/N 43399-102	REV: E02
DRAWN BY: GRANADOSIN	DATE: 11.15.04	SHEET 2 OF 11



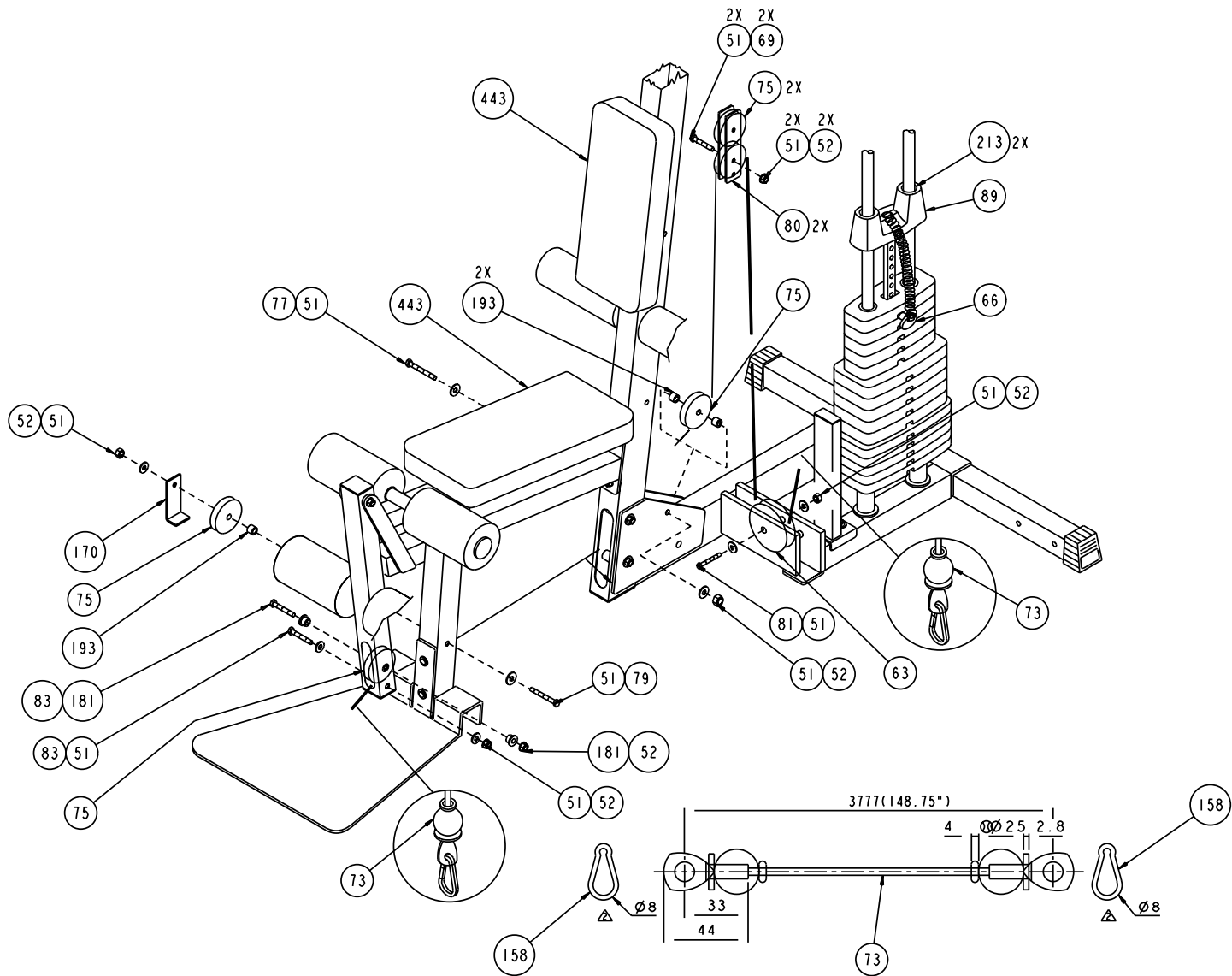
ZUMA	P/N 43399-102	REV: E
DRAWN BY: GRANADOSIN	DATE: 10.12.04	SHEET 3 OF 11



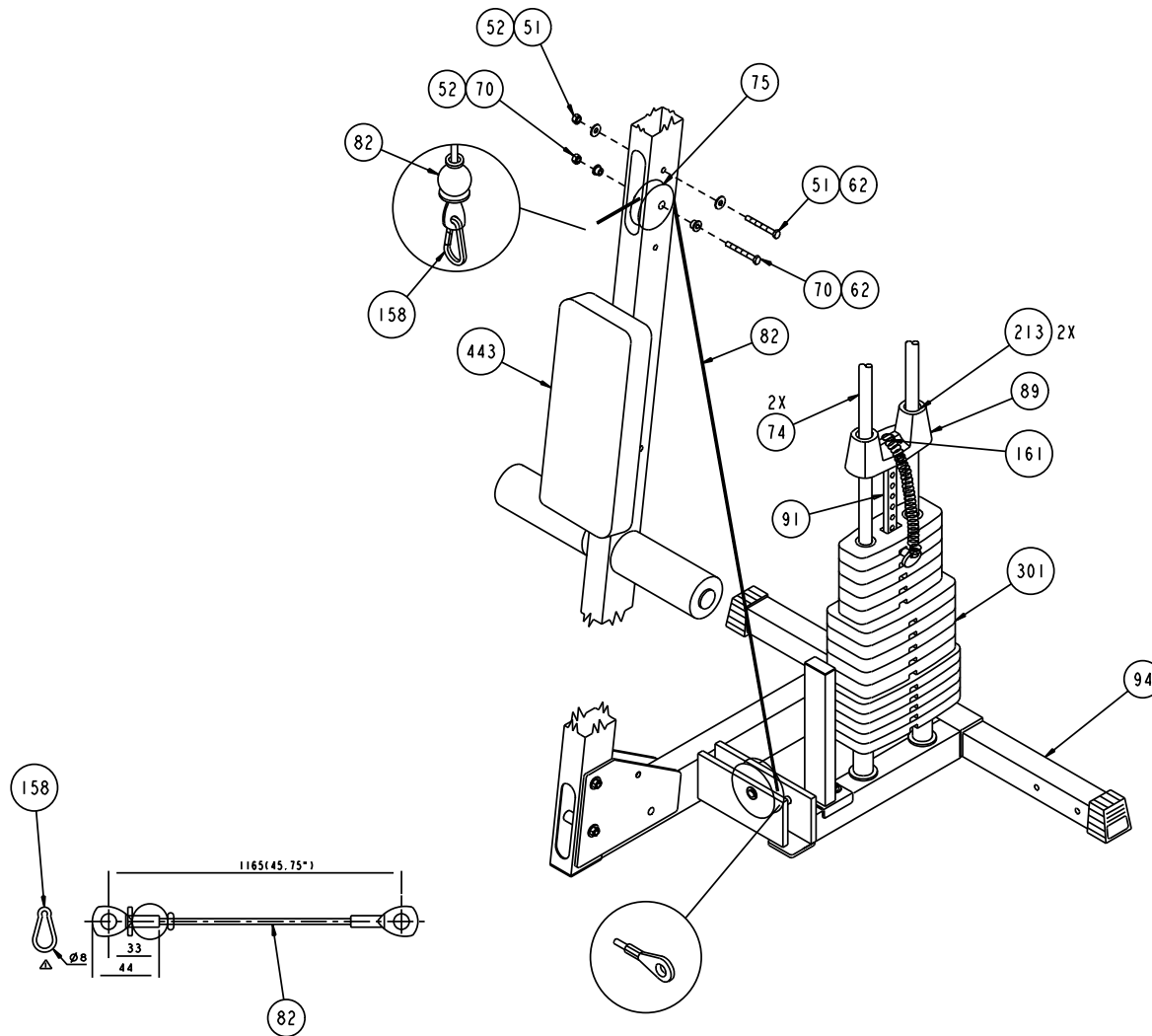
ZUMA	P/N 43399-102	REV: E02
DRAWN BY: GRANADOSIN	DATE: 11.15.04	SHEET 4 OF 11



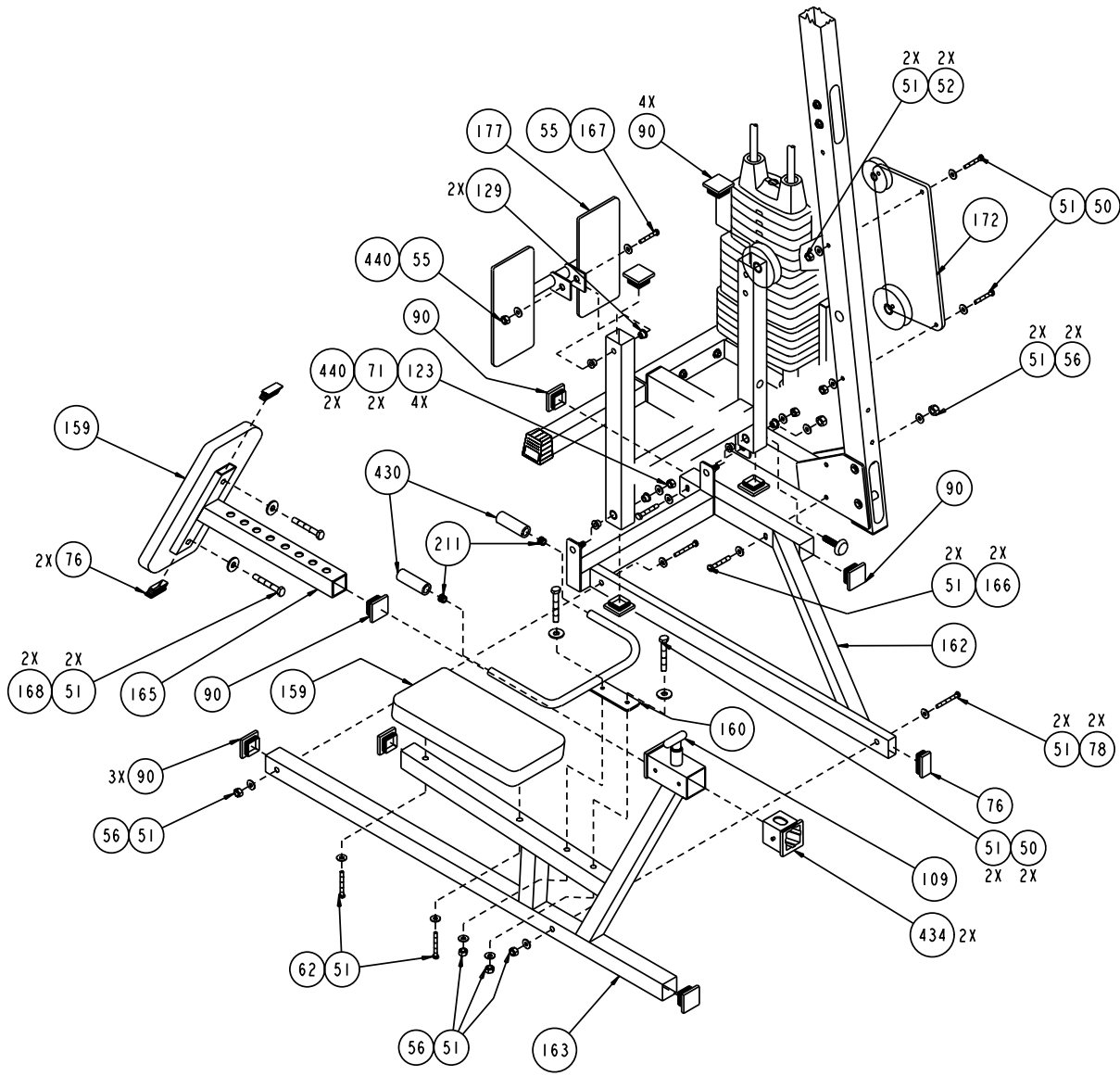
ZUMA	P/N 43399-102	REV: E02
DRAWN BY: GRANADOSIN	DATE: 11.15.04	SHEET 5 OF 11



ZUMA	P/N 43399-102	REV: E02
DRAWN BY: GRANADOSIN	DATE: 11.15.04	SHEET 6 OF 11

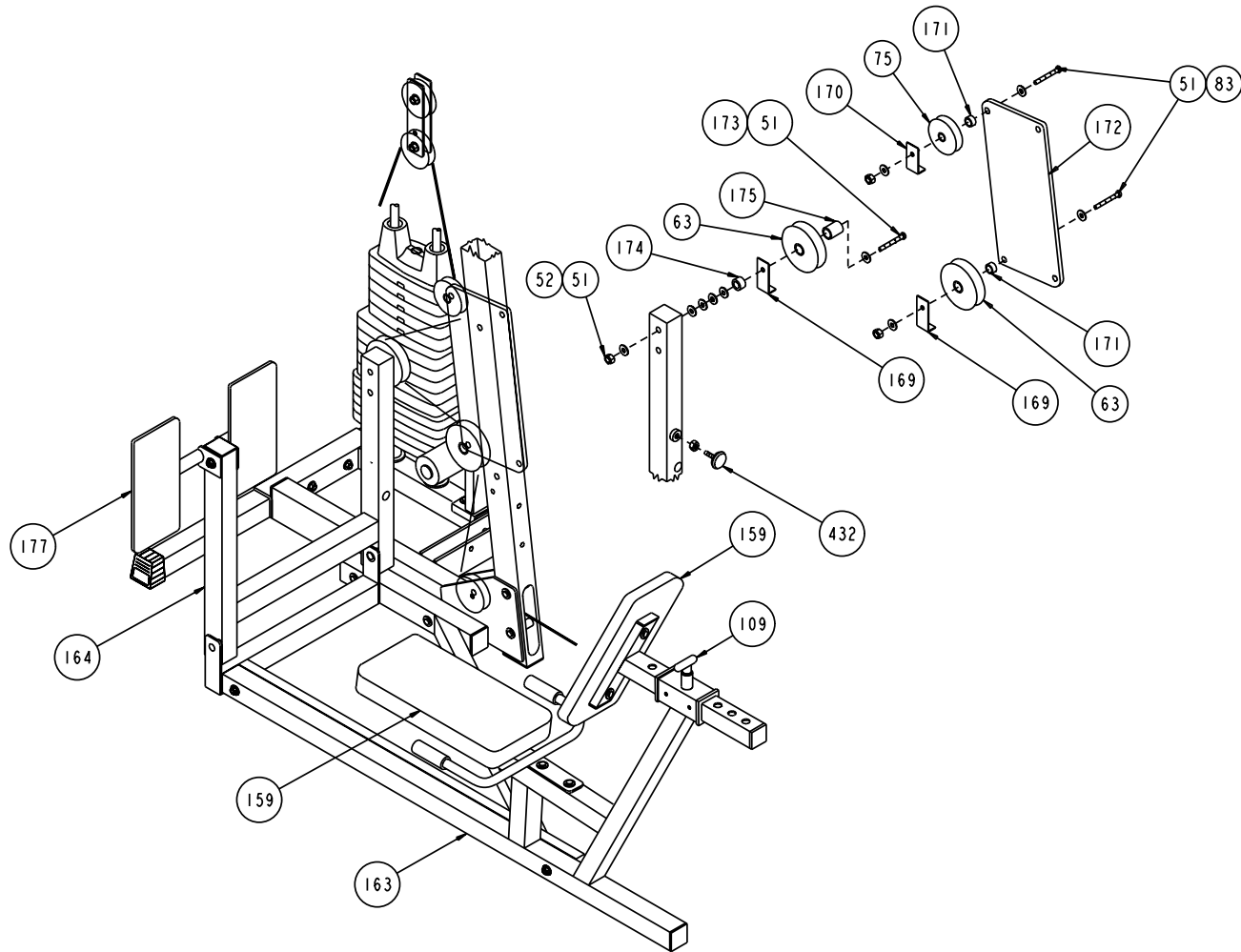


ZUMA	P/N 43399-102	REV: E02
DRAWN BY: GRANADOSIN	DATE: 11.15.04	SHEET 7 OF 11

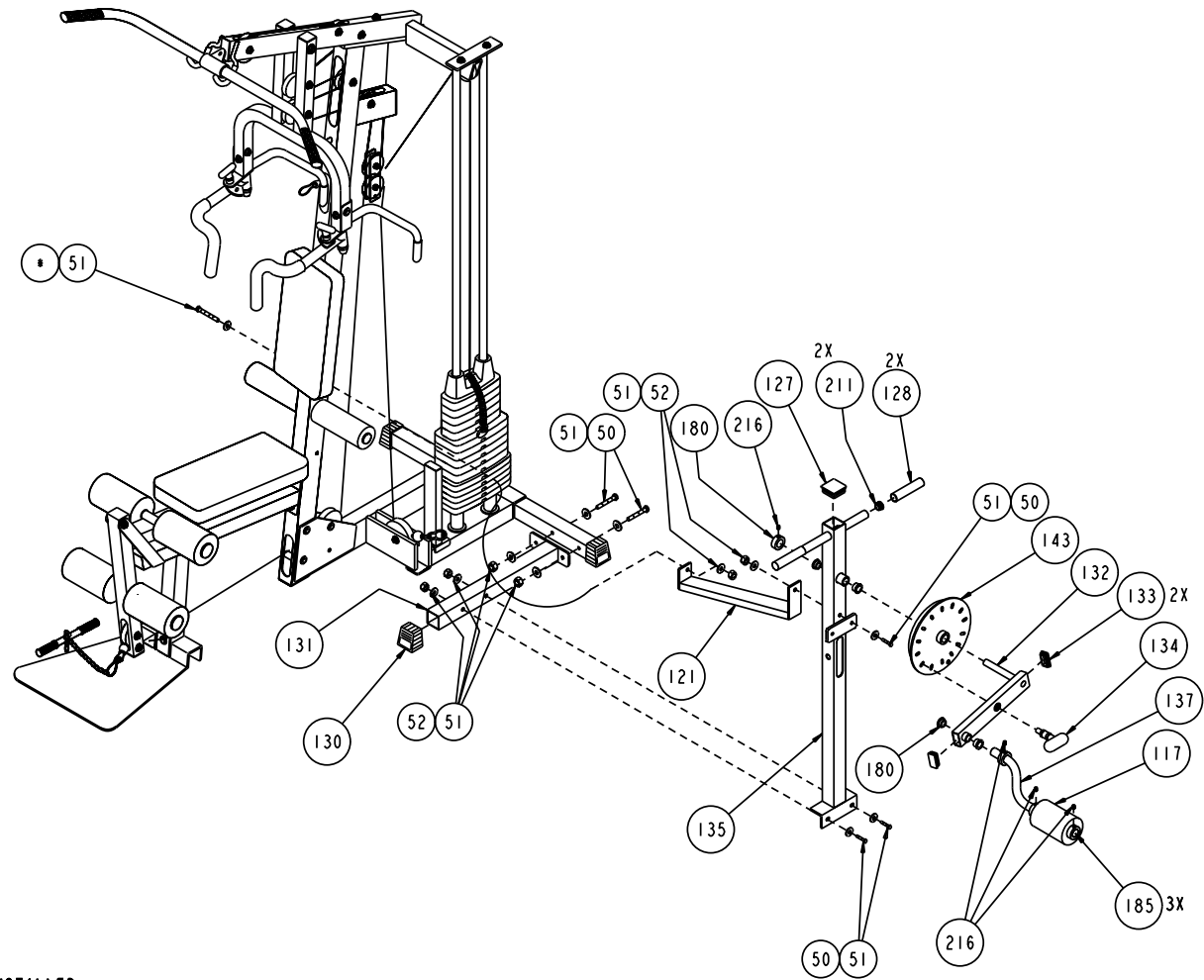


ZUMA	P/N 43399-102	REV: E02
DRAWN BY: GRANADOSIN	DATE: 11.15.04	SHEET 8 OF 11



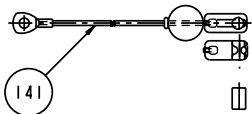
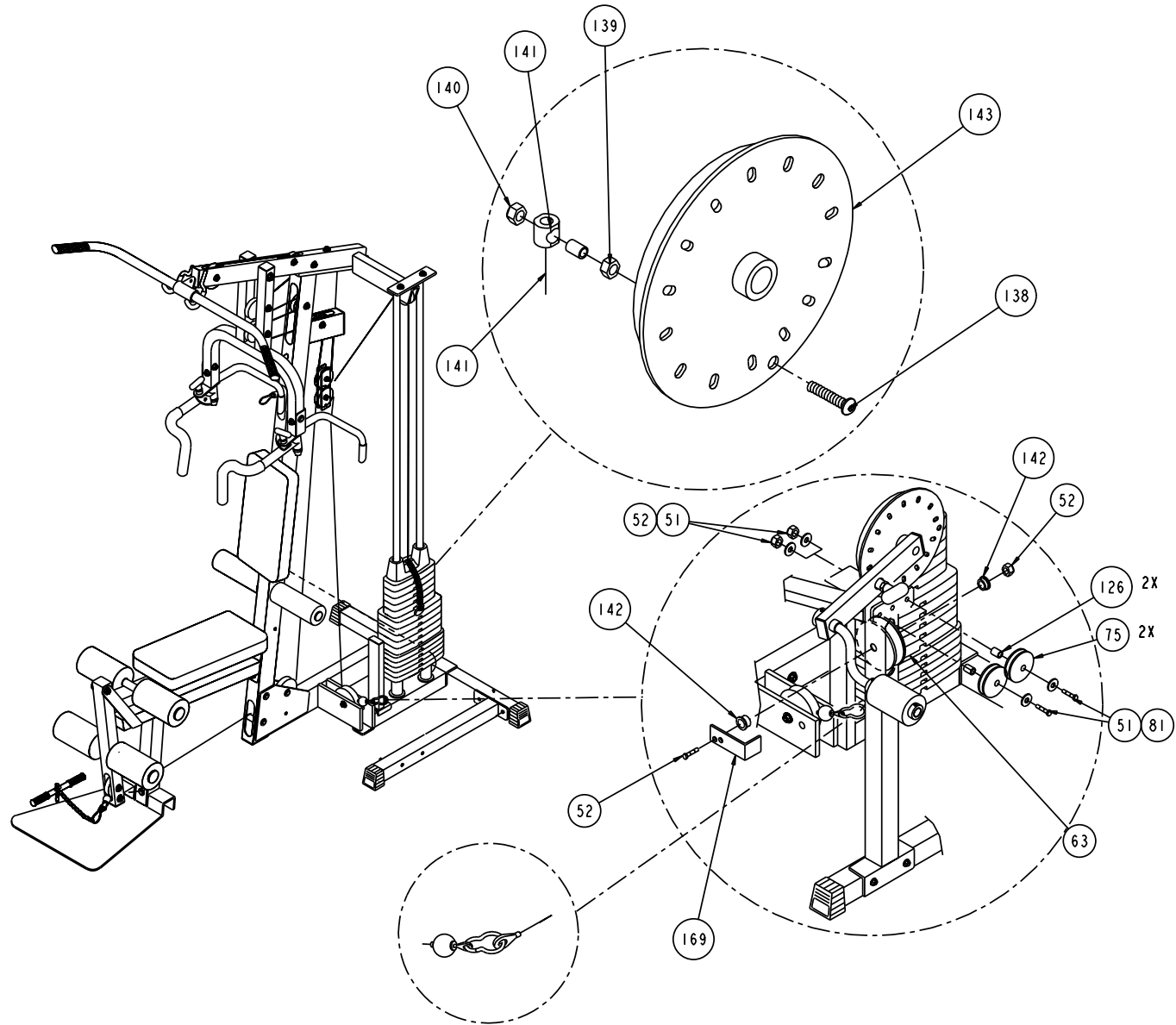


ZUMA	P/N 43399-102	REV: E02
DRAWN BY: GRANADOSIN	DATE: 11.15.04	SHEET 9 OF 11



- 77 WHEN LEG PRESS OPTION IS INSTALLED
- 50 WHEN LEG PRESS OPTION IS INSTALLED

ZUMA	P/N 43399-102	REV: E02
DRAWN BY: GRANADOSIN	DATE: 11.15.04	SHEET 10 OF 11



ZUMA	P/N 43399-102	REV: E02
DRAWN BY: GRANADOSIN	DATE: 11.15.04	SHEET 11 OF 11