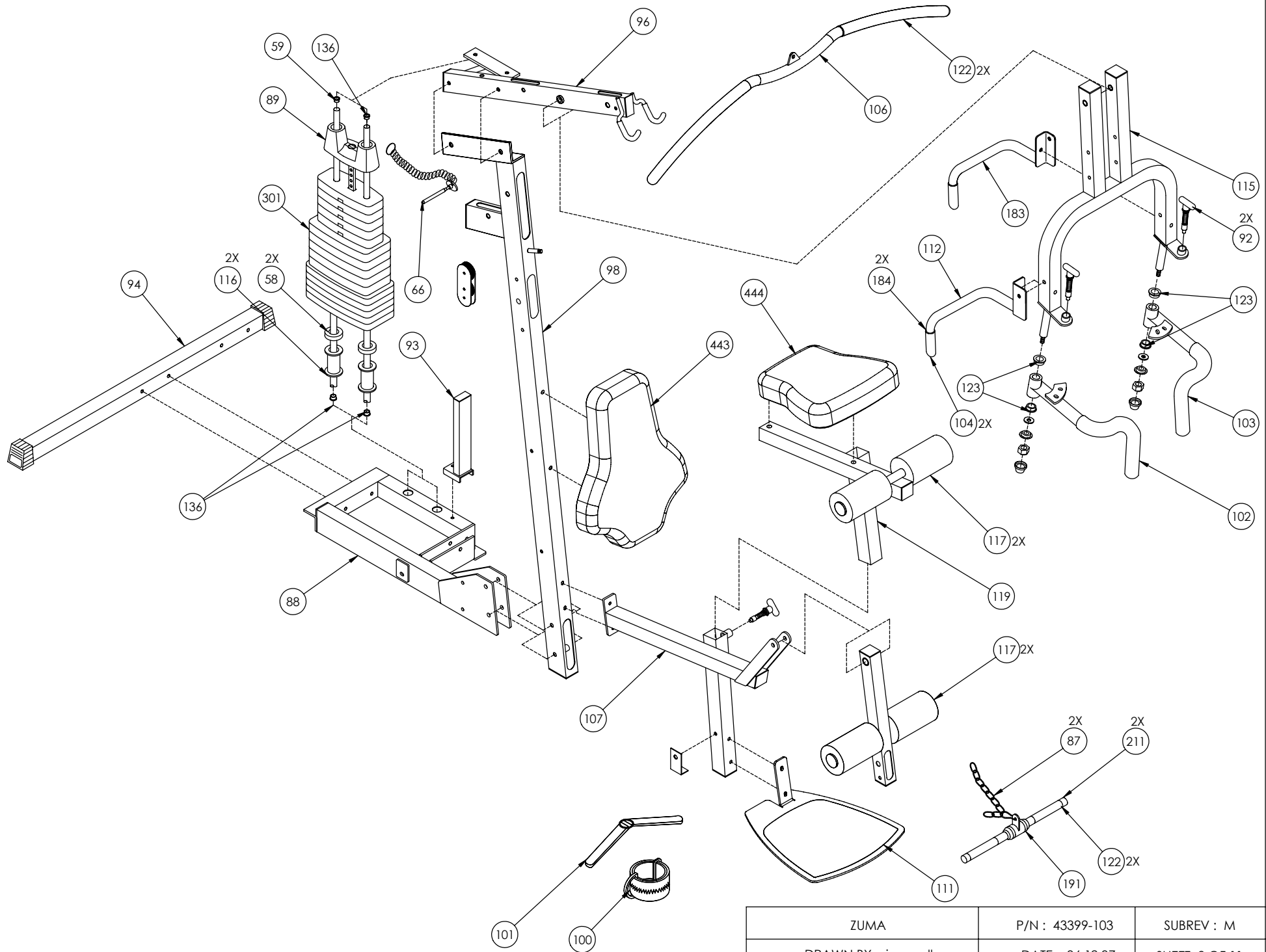
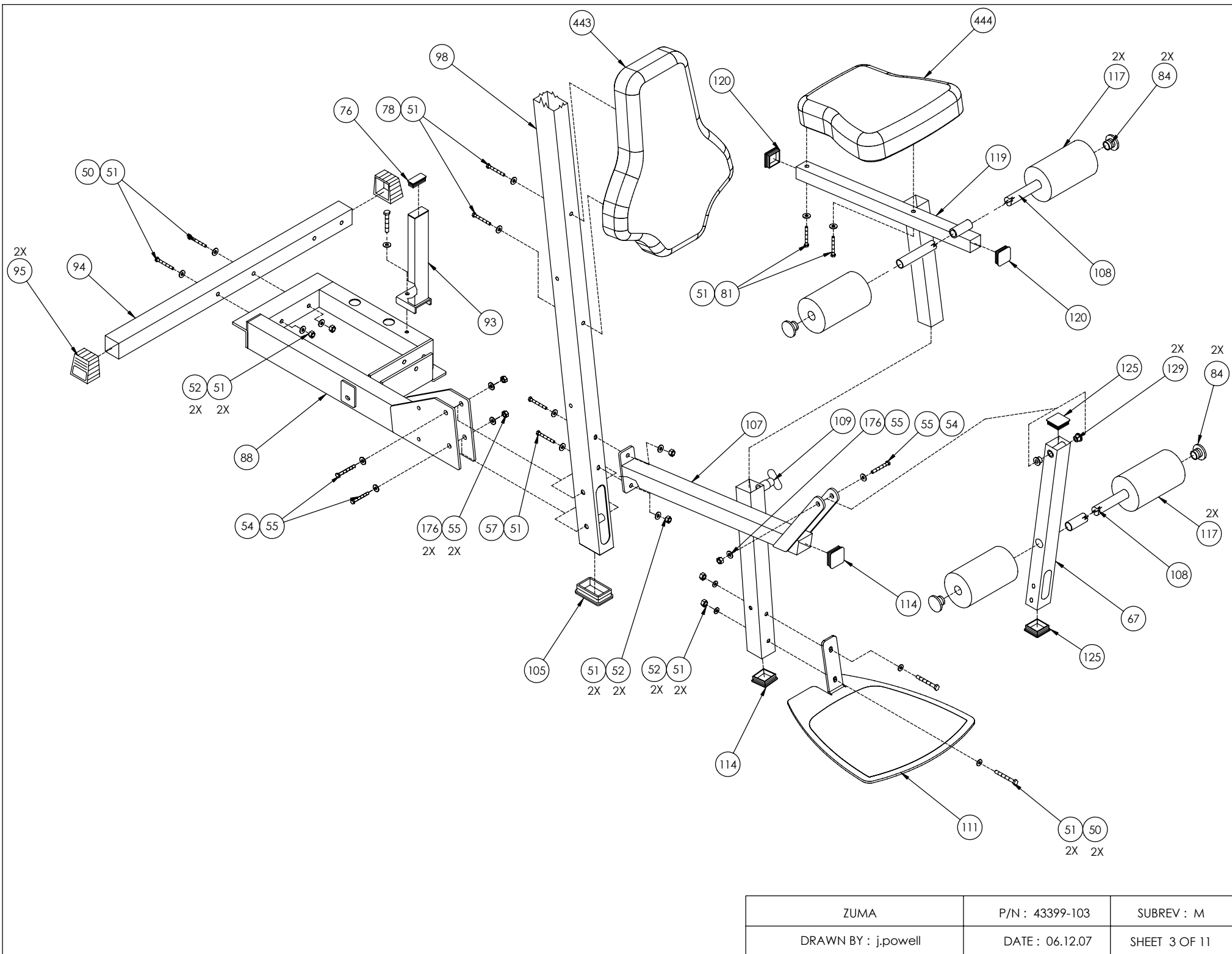


ZUMA	P/N : 43399-103	SUBREV : M
DRAWN BY : j.powell	DATE : 06.12.07	SHEET 1 OF 11

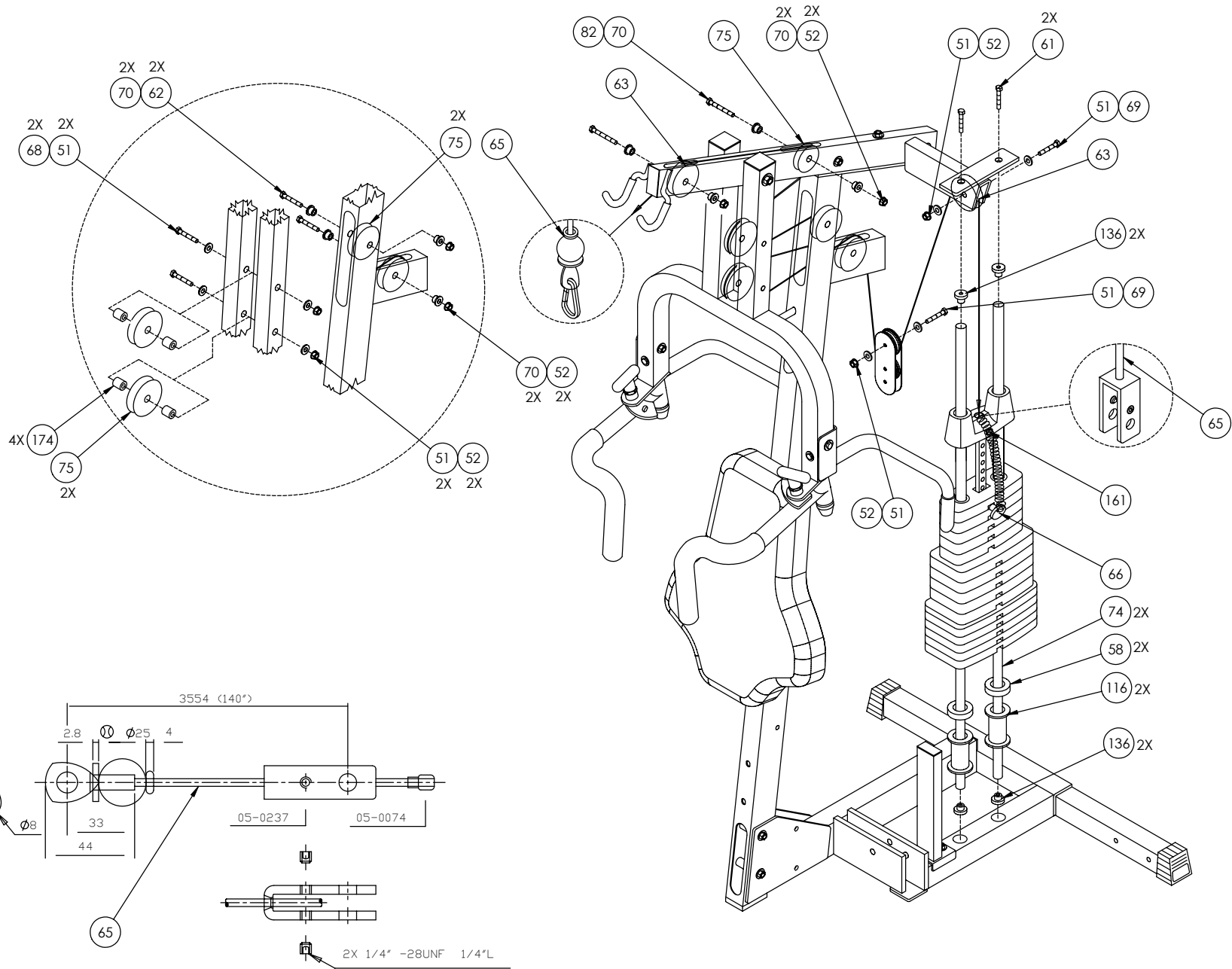


ZUMA	P/N : 43399-103	SUBREV : M
DRAWN BY : j.powell	DATE : 06.12.07	SHEET 2 OF 11

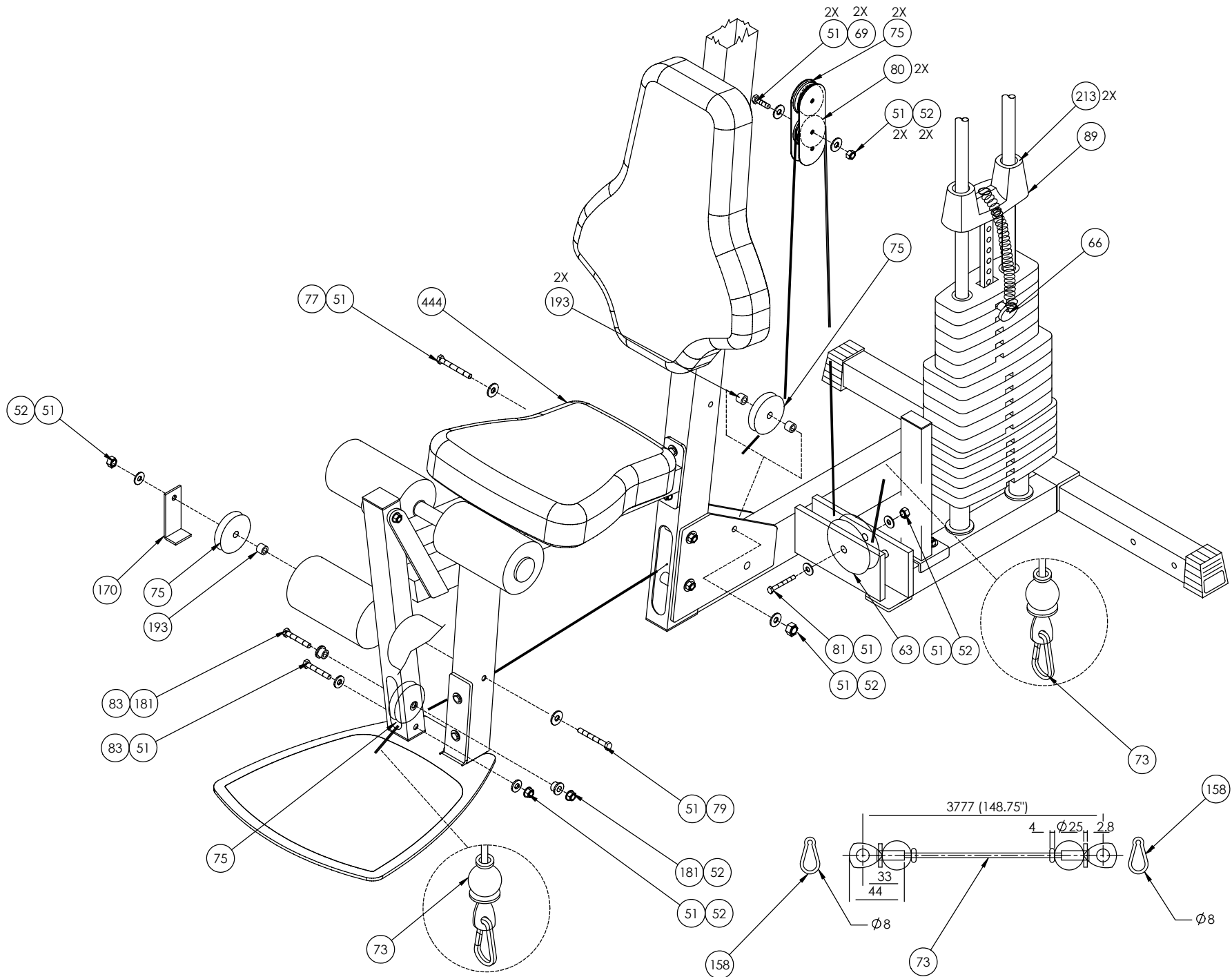


ZUMA	P/N : 43399-103	SUBREV : M
DRAWN BY : j.powell	DATE : 06.12.07	SHEET 3 OF 11

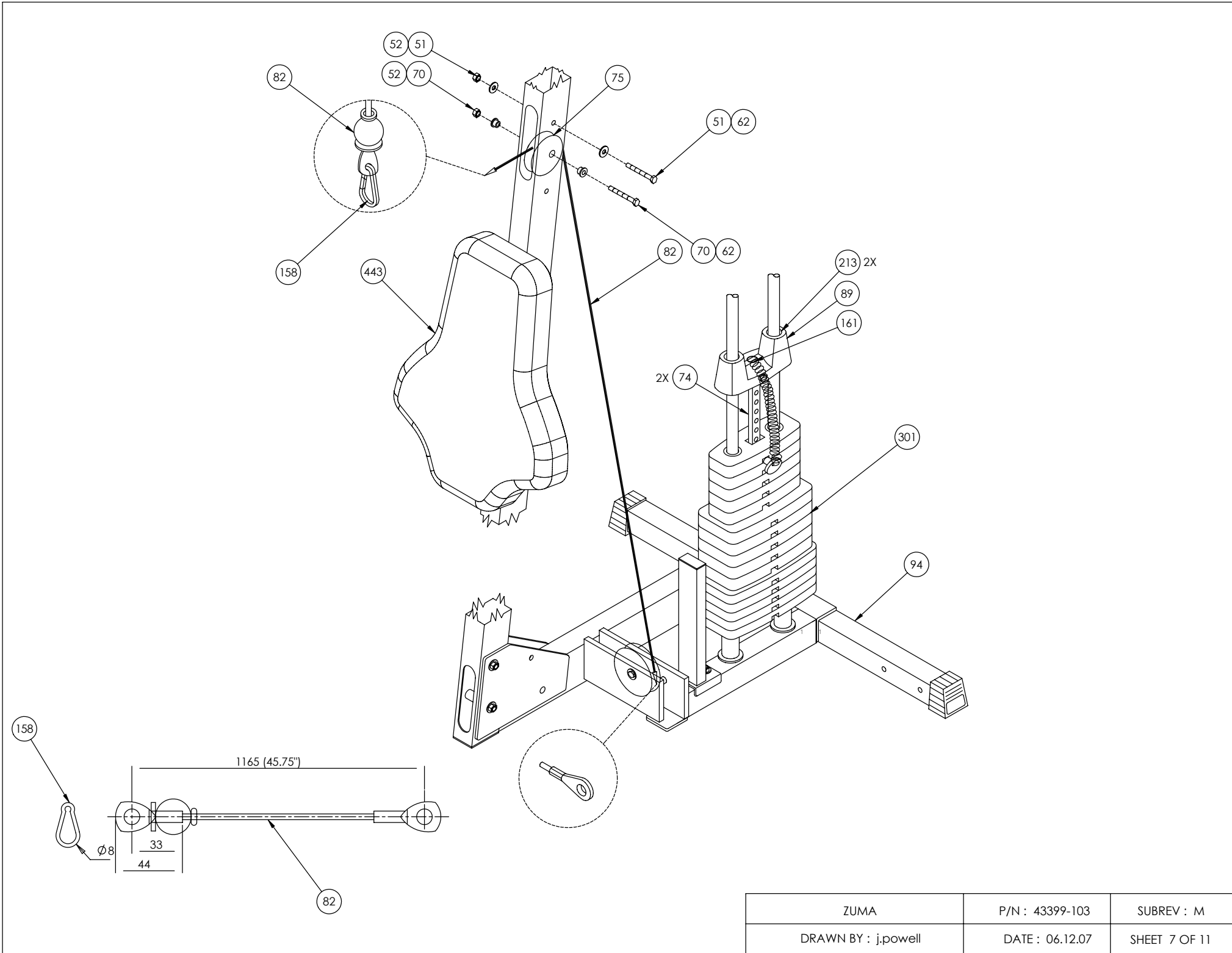




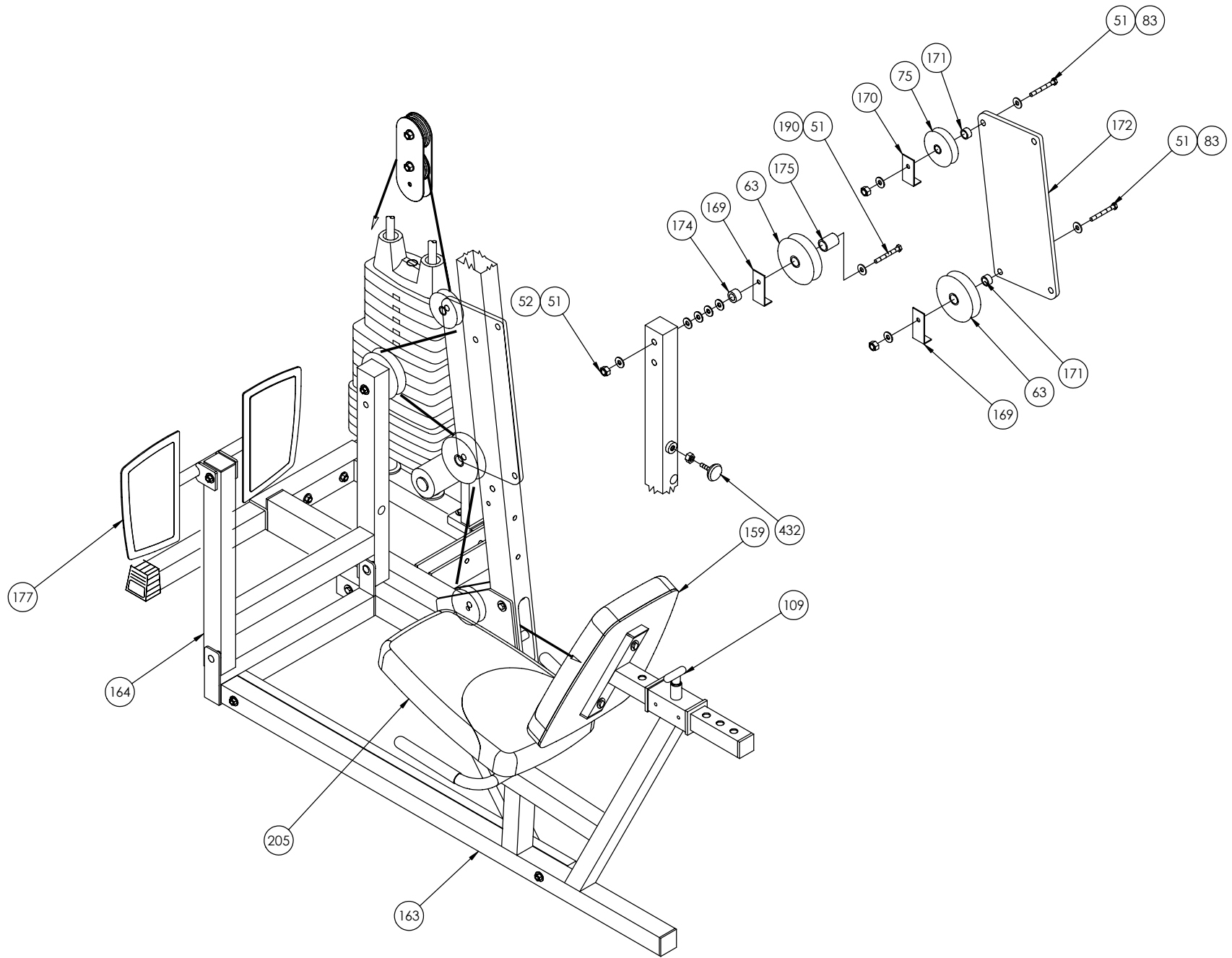
ZUMA	P/N : 43399-103	SUBREV : M
DRAWN BY : j.powell	DATE : 06.12.07	SHEET 5 OF 11



ZUMA	P/N : 43399-103	SUBREV : M
DRAWN BY : j.powell	DATE : 06.12.07	SHEET 6 OF 11



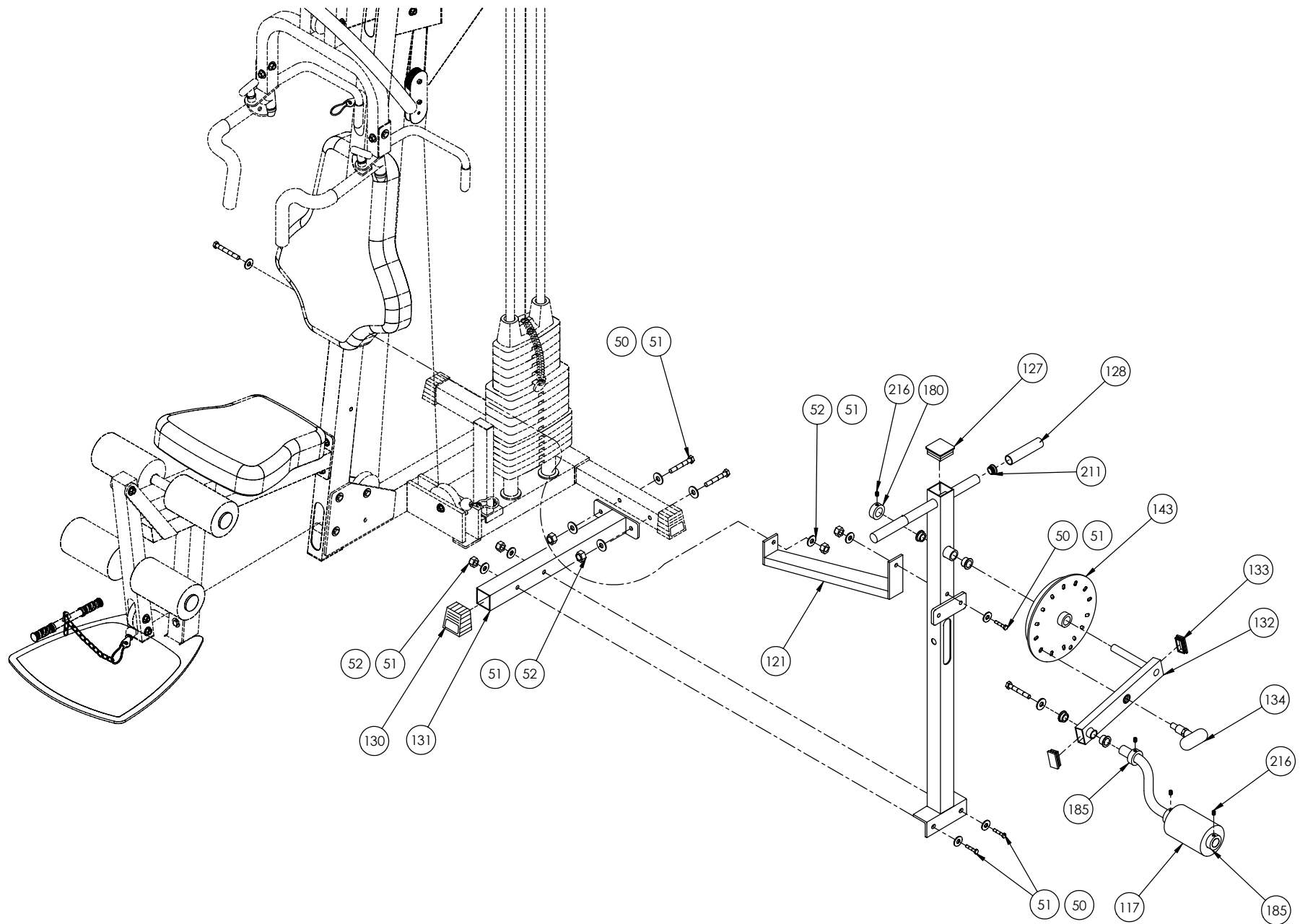
ZUMA	P/N : 43399-103	SUBREV : M
DRAWN BY : j.powell	DATE : 06.12.07	SHEET 7 OF 11



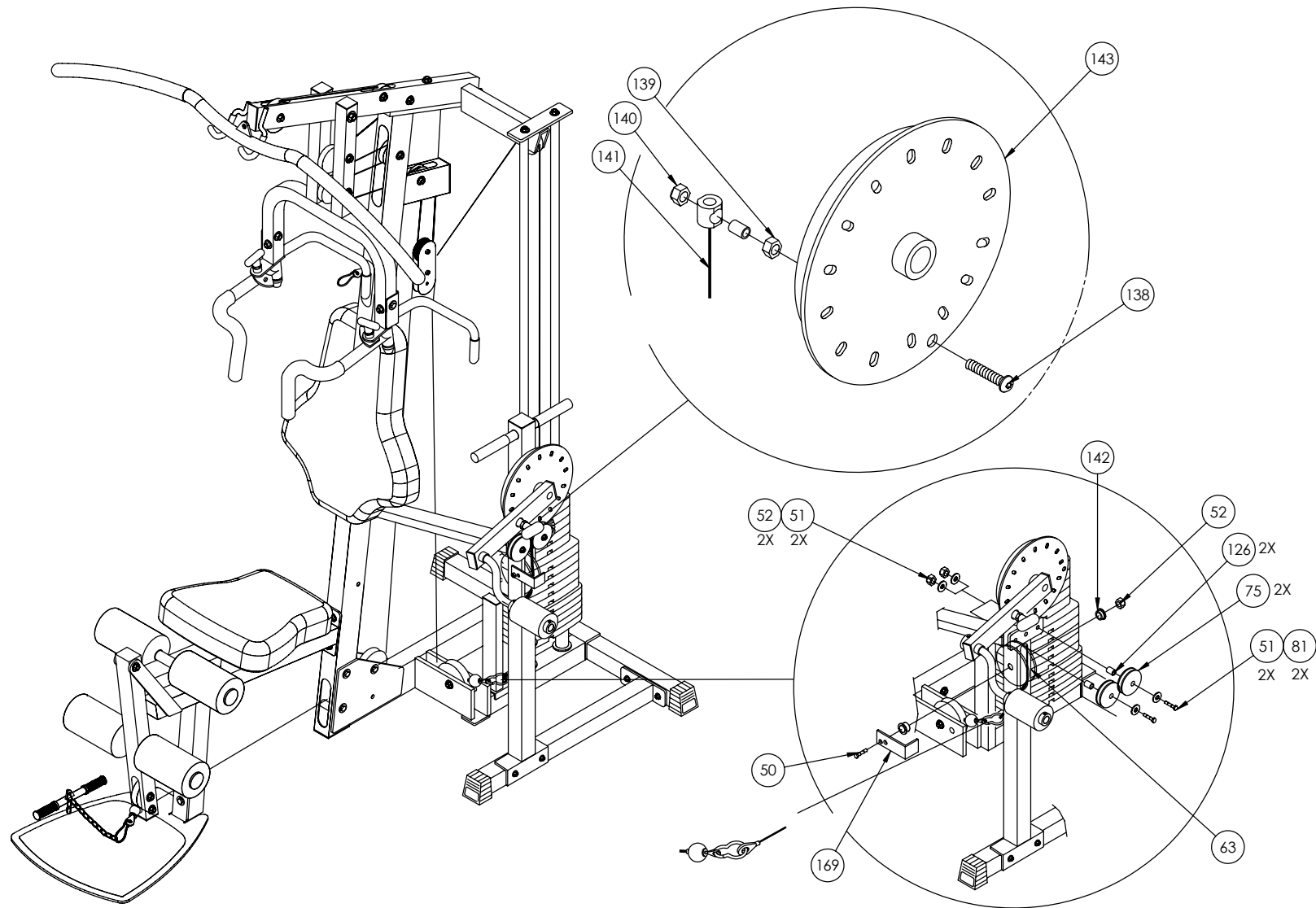
ZUMA	P/N : 43399-103	SUBREV : M
DRAWN BY : j.powell	DATE : 06.12.07	SHEET 8 OF 11







ZUMA MULTI-HIP OPTION	P/N : 43399-103	SUBREV : M
DRAWN BY : j.powell	DATE : 06.12.07	SHEET 10 OF 11



ZUMA	P/N : 43399-103	SUBREV : M
DRAWN BY : j.powell	DATE : 06.12.07	SHEET 11 OF 11