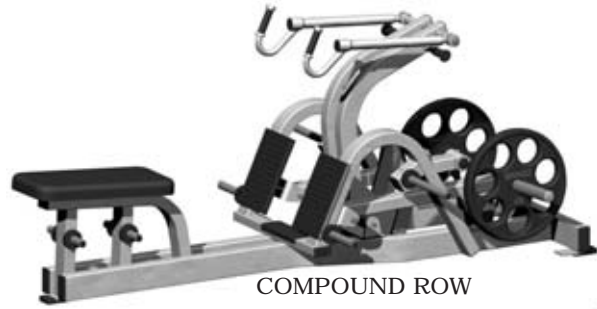


# NAUTILUS XPLOAD



COMPOUND ROW



SEATED CALF



OVERHEAD PRESS



LAT PULLDOWN



INCLINE PRESS



VERTICAL CHEST



LEG PRESS



INCLINE LEG PRESS



BICEP CURL



LEG CURL PRONE



DEAD LIFT / SHRUG



TRICEP EXTENSION



SEATED DIP



LEG EXTENSION

# NAUTILUS XPLOAD

## PARTS DIAGRAM

### TRICEP EXTENSION

19-5232

REVISED:  
February 6, 2006

PARTS AND SERVICE u 709 Powerhouse Road u Independence,  
VA 24348

SERIAL # \_\_\_\_\_  
through \_\_\_\_\_

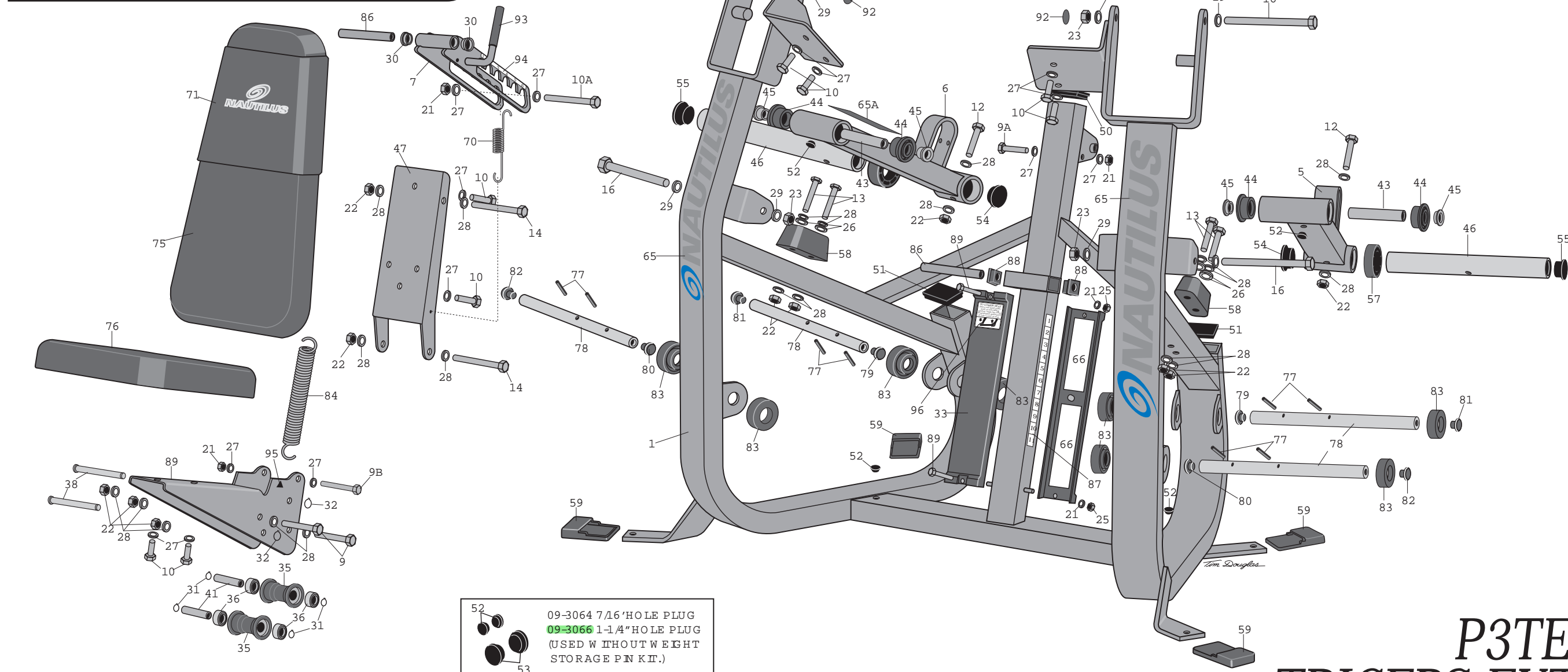
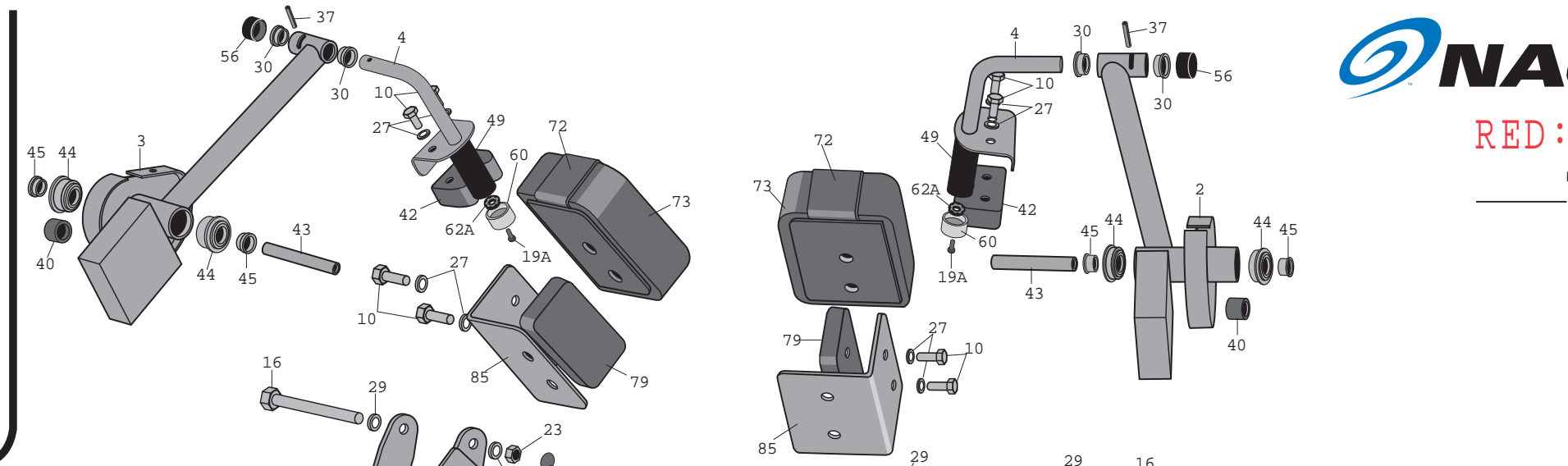
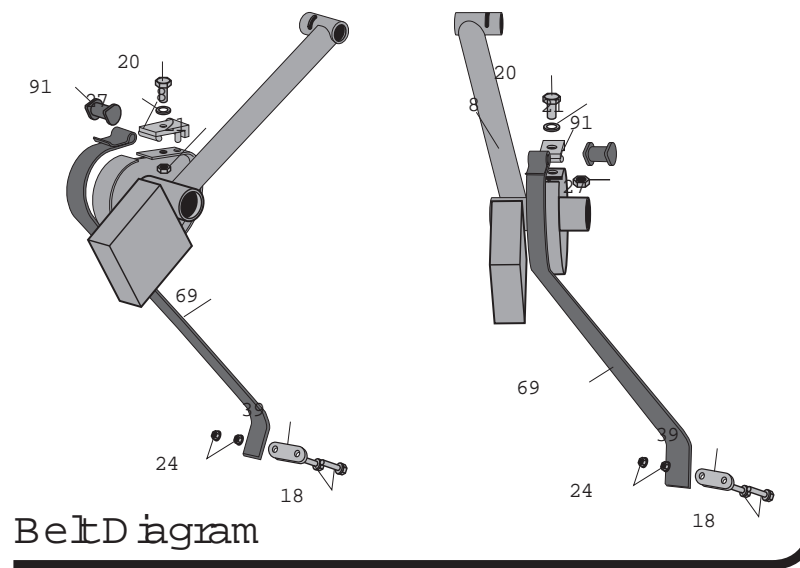
#### P3TE P3 TRICEP EXTENSION COMP# COMPONENT DESCRIPTION

- 1 ...BSF332...BASE FRAME P3 TE
- 2 ...MA342 ...MOVEMENT ARM LEFT P3 TE
- 3 ...MA343 ...MOVEMENT ARM RIGHT P3 TE
- 4 ...HB604 ...TE MOVEMENT ARM HANDLE
- 5 ...WA333 ...WEIGHT ARM LEFT P3 BC
- 6 ...WA334 ...WEIGHT ARM RIGHT P3 BC
- 7 ...HB325 ...STD .SEAT ADJUST RACK
- 8 ...LK631 ...STD .BELT CLAMP ASSEMBLY
- 9 ...01-0011 ...BOLT HH5 1/2 X 4 1/2
- 9A ...01-1151 ...BOLT HH5 3/8 X 2 3/4
- 9B ...01-1553 ...BOLT HH5 3/8 X 4 1/4
- 10 ...01-1105 ...BOLT HH5 3/8 X 1 1/2
- 10A ...01-1566 ...BOLT HH5 1/2 X 5 1/2
- 11 ...01-1351 ...BOLT HH5 1/2 X 3 1/4
- 12 ...01-1550 ...BOLT HH5 1/2 X 3
- 13 ...01-1550 ...BOLT HH5 1/2 X 3 1/2
- 14 ...01-1565 ...BOLT HH5 1/2 X 5
- 15 ...01-1567 ...BOLT HH5 1/2 X 6
- 16 ...01-2182 ...5/8-18 X 2 HH5 BOLT
- 17 ...01-2283 ...BOLT HH5 5/8 X 8 5/8 (CUT-OFF)
- 18 ...01-4030 ...W HZ FLANGE BOLT 1/4-20 X 1
- 19 ...02-4170 ...10-32 X 1/8 SET SCREW
- 19A ...02-2290 ...1/4 X 1 AFH SCREW
- 20 ...02-9250 ...BOLT HH5 3/8 X 2 1/4
- 21 ...03-1035 ...3/8-16 LOCK NUT
- 22 ...03-1055 ...1/2-13 LOCK NUT
- 23 ...03-1067 ...5/8-11 LOCK NUT
- 24 ...03-4290 ...1/4-20 W HZ NUT FLANGE
- 25 ...03-5101 ...NUT BLACK 1/4-20
- 26 ...04-5207 ...1/2 FLAT W ASHER
- 27 ...04-5213 ...3/8 NT LOK W ASHER
- 28 ...04-5214 ...1/2 LOCK W ASHER
- 29 ...04-5215 ...5/8 LOK W ASHER
- 30 ...05-5100 ...GUS BUSHING 875 ID .X .75 L
- 31 ...06-8180 ...RING SNAP 1/2 ID .5100-50 EXTERNAL THN
- 32 ...06-8275 ...RING SNAP 17MM EXTERNAL
- 33 ...07-5032 ...MOLDED SEAT TRACK
- 34 ...07-5033 ...MOLDED SEAT TRACK 2
- 35 ...07-5034 ...MOLDED WHEELS
- 36 ...07-5064 ...6203 BALL BEARING
- 37 ...07-7015 ...GROOVE PIN 1/4" X 1"
- 38 ...07-8230 ...CLEVIS PIN 1/2 DIA X 4 1/2 L
- 39 ...07-8982 ...END STRAP CLAMP
- 40 ...07-9350 ...NYLON MA STOP
- 41 ...07-9376 ...SEAT BEARING SLEEVE
- 42 ...07-9399 ...UPH HAND PAD TE
- 43 ...07-9605 ...BEARING SLEEVE 1 OD X 5 33,64 L
- 44 ...07-9607 ...BEARING CUPS W ITH BEARINGS
- 45 ...07-9610 ...BEARING SPACERS
- 46 ...07-9625 ...WEIGHT TUBE 1 7/8 X 25W TUBE X 16" LONG
- 47 ...07-9727 ...SHEET METAL ADJ SEAT BACK
- 48 ...08-5066 ...PIVOT SPACER 3/4 X 11 GA TUBE 3 985
- 49 ...09-1101 ...HAND GRP 1 438 ID .X 4" OPEN END
- 50 ...09-2090 ...2 X 3 FRAME PLUG
- 51 ...09-3055 ...2 X 4 FRAME PLUG
- 52 ...09-3064 ...HOLE PLUG 1/2 DIA WHITE
- 53 ...09-3066 ...1 1/4" WHITE HOLE PLUG
- 54 ...09-3090 ...HOLE PLUG BLACK
- 55 ...09-3091 ...HOLE PLUG YELLOW
- 56 ...09-3097 ...CAP VNYL WHITE
- 57 ...09-4064 ...WEIGHT STORAGE ,1 875 D X 3/4 X 3" OD RUBBER
- 58 ...09-5010 ...DOCK BUMPER
- 59 ...09-5045 ...NEW RECTANGULAR FOOTPAD
- 60 ...09-9520 ...GRP CAP ALUM NUM 1 1/2" BAR
- 61 ...09-8172 ...1 3/4 DIA HOLE PLUG BLACK
- 62 ...09-9060 ...SLEEVE ,BAR STORAGE
- 62A ...09-9610 ...TUBE INSERT



- | COMP#                   | COMPONENT DESCRIPTION                                  |
|-------------------------|--------------------------------------------------------|
| 63 ...12-1026           | ...KEEP HANDS AWAY (YELLOW)                            |
| 64 ...12-1380           | ...INSPECTDN STICKER DECAL                             |
| 65 ...12-1185           | ...DECAL NAUTILUS GREY                                 |
| 65A ...12-5366          | ...INSTRUCTIONAL PLACARD P3TE                          |
| 66 ...19-1014           | ...TAPE DOUBLE SDED 2" (2 PCS X 4 1/2" L & 1 PC 7" L)  |
| 67 ...19-1291           | ...DECAL SERIAL # BAR CODE                             |
| 68 ...19-5232           | ...PARTS DIAGRAM 'P3' TE                               |
| 69 ...24-6035           | ...1" BELT MATO W T ARM 6 667 4 2 L.                   |
| 70 ...46-3032           | ...EXTENSION SPRING                                    |
| 71 ...JP719             | ...STD .SLIPCOVER                                      |
| 72 ...JP723             | ...ELBOW PAD SLIPCOVER                                 |
| 73 ...JP8007            | ...BC/TE L ELBOW PAD                                   |
| 74 ...JP8008            | ...BC/TE R ELBOW PAD                                   |
| 75 ...JP8085            | ...BC/TE SEAT BACK                                     |
| 76 ...JP8145            | ...BC/TE SEAT BOTTOM                                   |
| OPT-WT-BAR08            |                                                        |
| P3CR WEIGHT STORAGE KIT |                                                        |
| 77 ...07-7010           | ...1/4 X 1 ROLL PINS                                   |
| 78 ...07-9721           | ...WEIGHT STORAGE PIN 1 1/4 DIA CR X 19" LONG ZNC      |
| 79 ...09-4000           | ...P3 NUMBER PLUG 5 b                                  |
| 80 ...09-4001           | ...P3 NUMBER PLUG 10 b                                 |
| 81 ...09-4002           | ...P3 NUMBER PLUG 25 b                                 |
| 82 ...09-4003           | ...P3 NUMBER PLUG 45 b                                 |
| 83 ...09-4066           | ...WEIGHT STORAGE ,1 250 D X 3/4 X 3" OD MOLDED BUMPER |
| 84 ...10-1022           | ...EXTENSION SPRING                                    |
| 85 ...07-5028           | ...ELBOW BRACKET                                       |
| 86 ...07-9662           | ...SPACER SLEEVE                                       |
| 87 ...12-1104           | ...SEAT DECAL 5/8 X 1/2 NCR .                          |
| 88 ...09-4077           | ...MOLDED SQUARE BUSHING 3/4 D                         |
| 89 ...02-4065           | ...BOLT 1/4-20 X 2 3/4 SLOTTED                         |
| 90 ...09-6080           | ...STD SEAT METAL SHEET FORMED                         |
| 91 ...09-8000           | ...MOLDED CAM FERREUL                                  |
| 92 ...12-1296           | ...RED DOT                                             |
| 93 ...09-1003           | ...5/8 OD X 3" GRP (YELLOW)                            |
| 94 ...12-1167           | ...DECAL SEAT ADJ. (1-6)                               |
| 95 ...12-1001           | ...SEAT INDICATOR ARROW BLACK                          |
| 96 ...12-1166           | ...DECAL SEAT ADJ. INSTRUCTIONS                        |

RED : PAINTED ITEMS  
 \_\_\_\_\_ Trolleys / Machine



09-3064 7/16" HOLE PLUG  
 09-3066 1-1/4" HOLE PLUG  
 (USED WITHOUT WEIGHT STORAGE PIN KIT.)

Last Rev Date: 02/06/06

# P3TE TRICEPS EXTENSION Nautilus Parts Diagram