



2ST

LEG PRESS

OWNER'S MANUAL

REVISED: October 29, 1998

SERIAL NO.'S

through

Contents

Parts Manual

- 1 BASE FRAME TO WORKBOX ASSEMBLY
- 2 MOVEMENT ARM ASSEMBLY
- 3 SEAT ASSEMBLY
- 4 CAM ASSEMBLY
- 5 BELT / PULLEY & CHAIN ASSEMBLY
- 6 RANGE LIMITER ASSEMBLY
- 7 WEIGHT STACK ASSEMBLY
- 8 PARTS LIST
- 9 PARTS LIST

Maintenance Manual

Follows page 9

See last pages of this manual for 2ST Strength Circuit Exercise Order Diagram



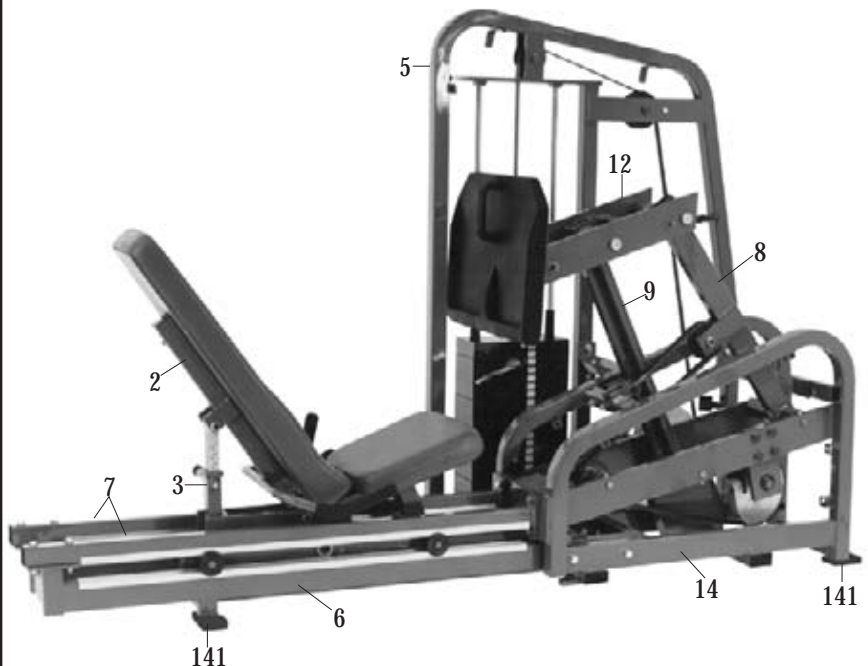
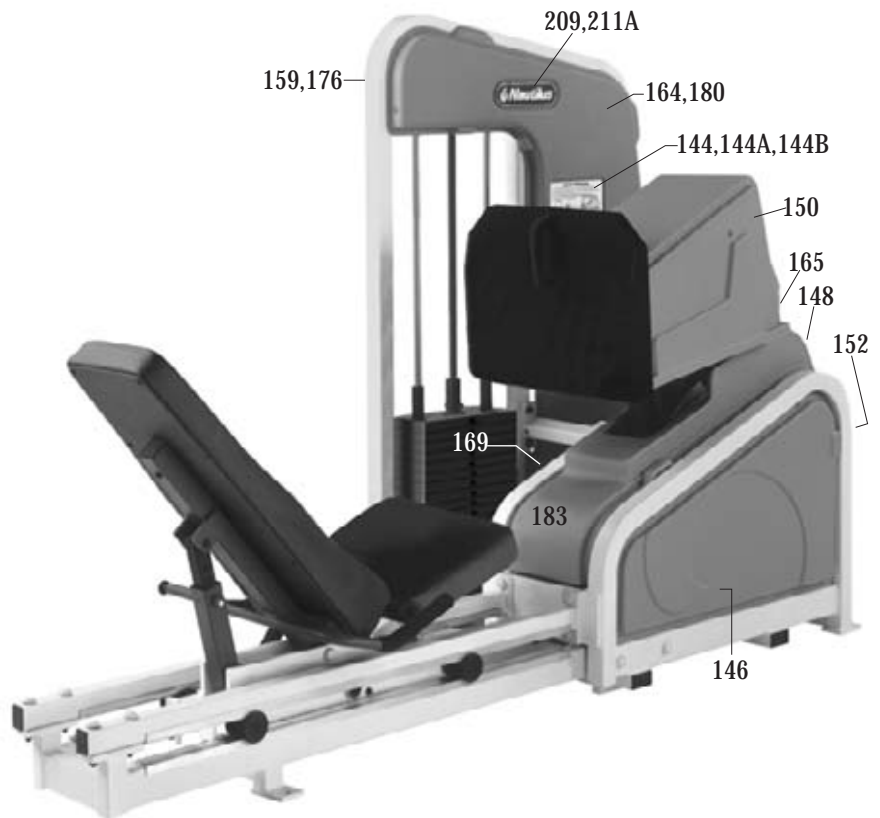
PARTS AND SERVICE

709 Powerhouse Road

Independence, Virginia 24348

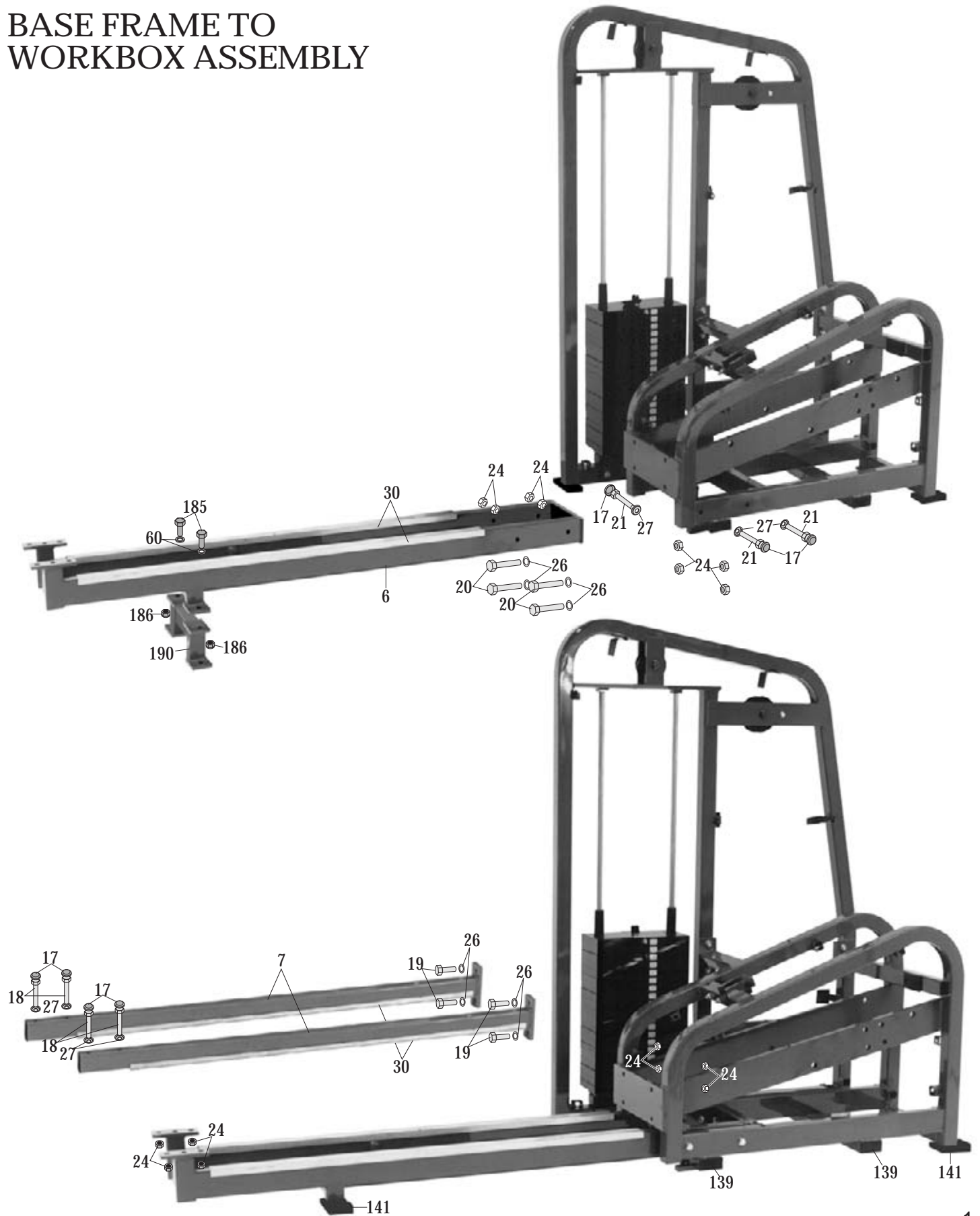
800-235-2233

Fax: 540-773-2298

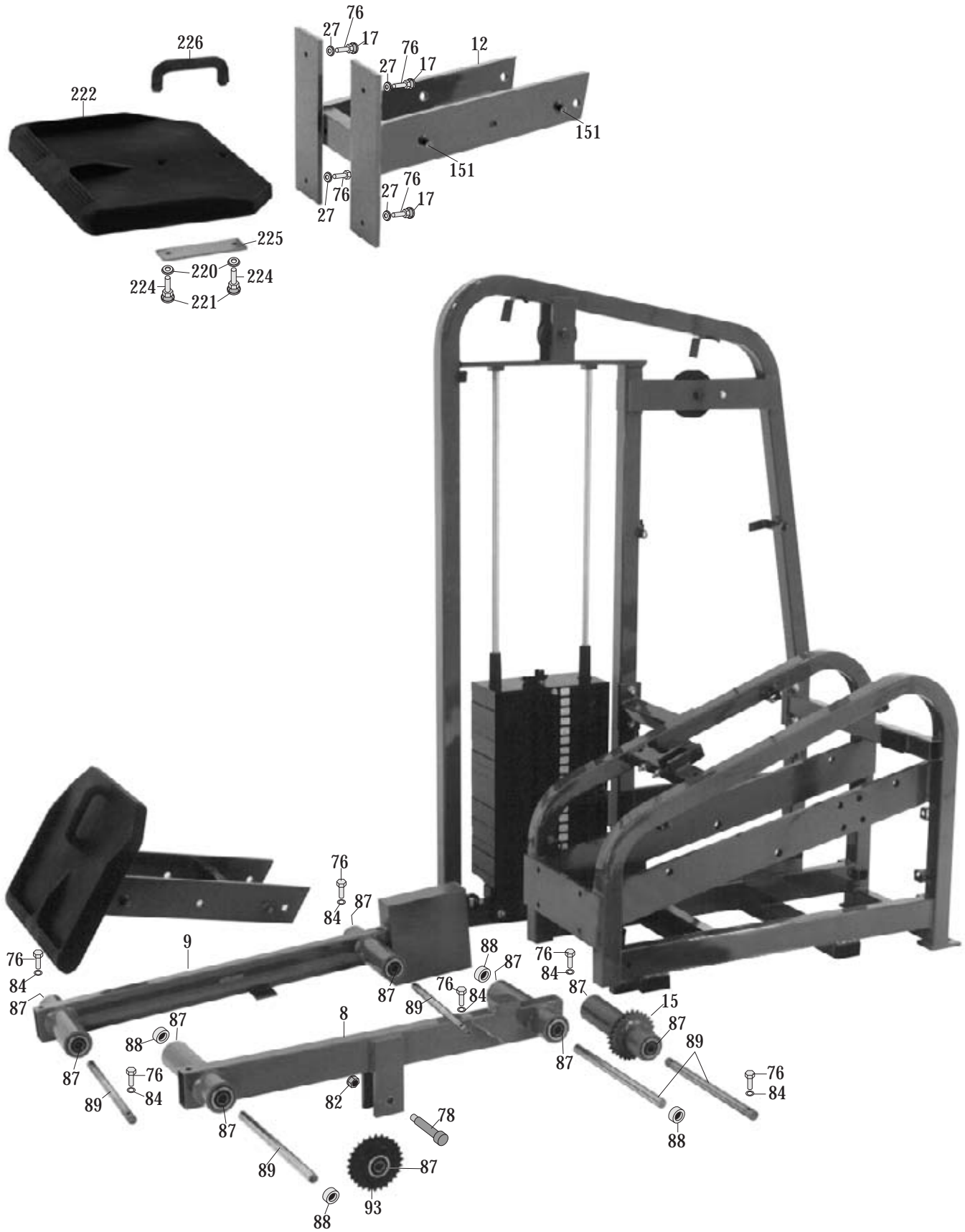


19-4924

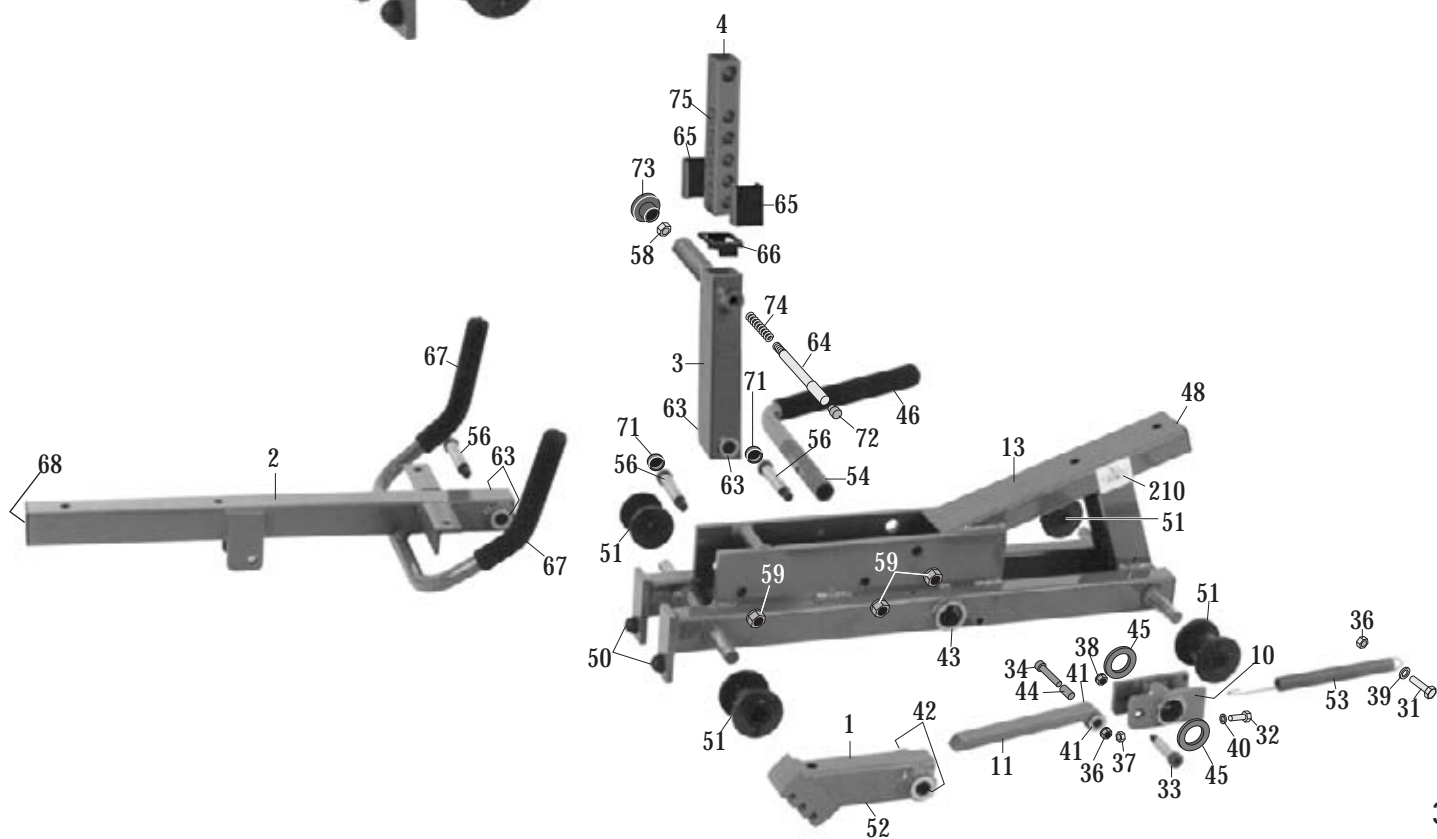
BASE FRAME TO
WORKBOX ASSEMBLY



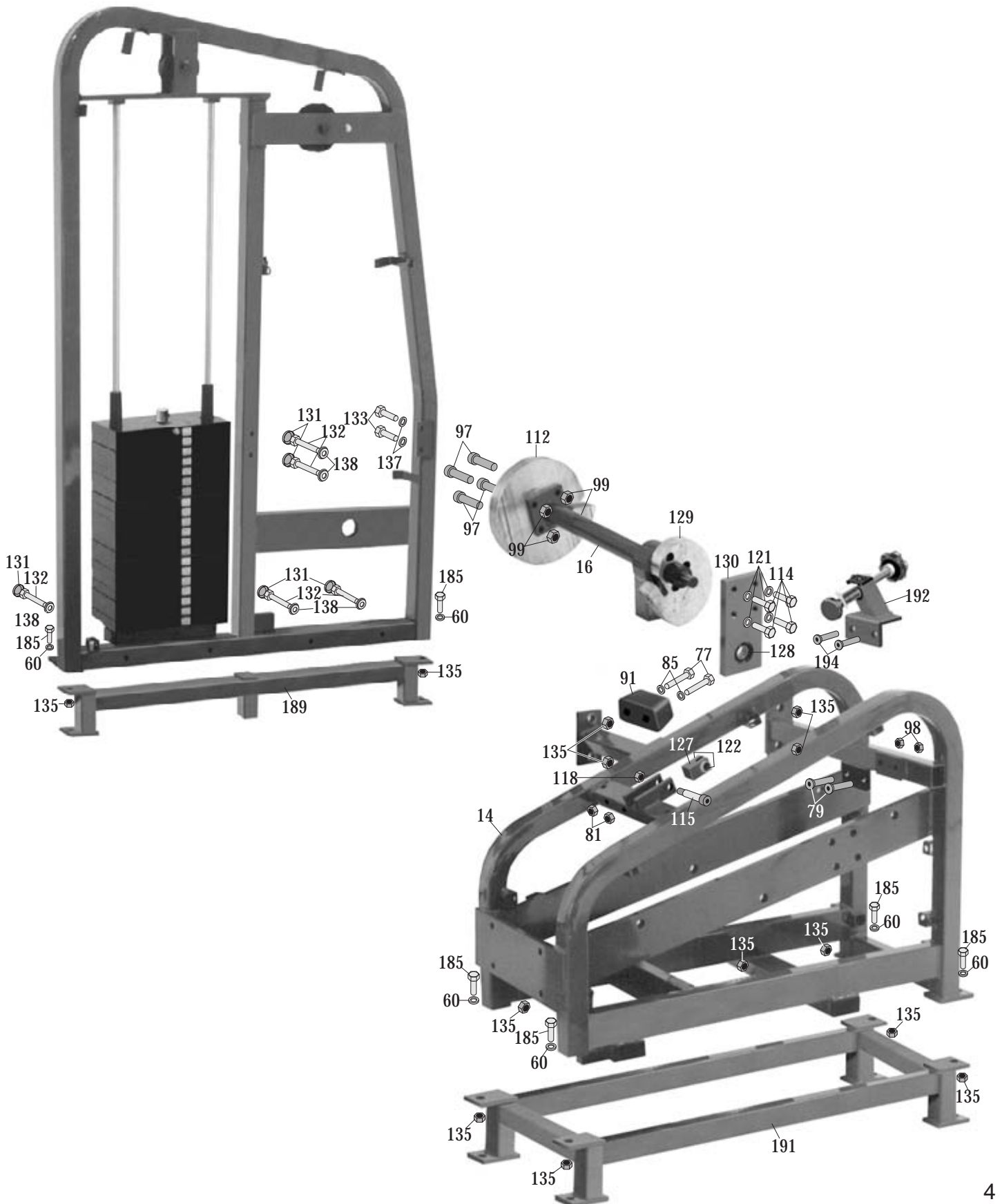
MOVEMENT ARM ASSEMBLY



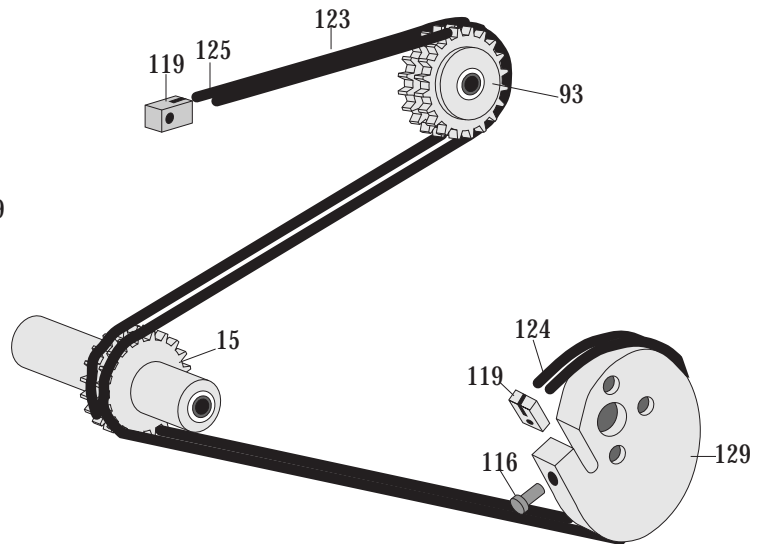
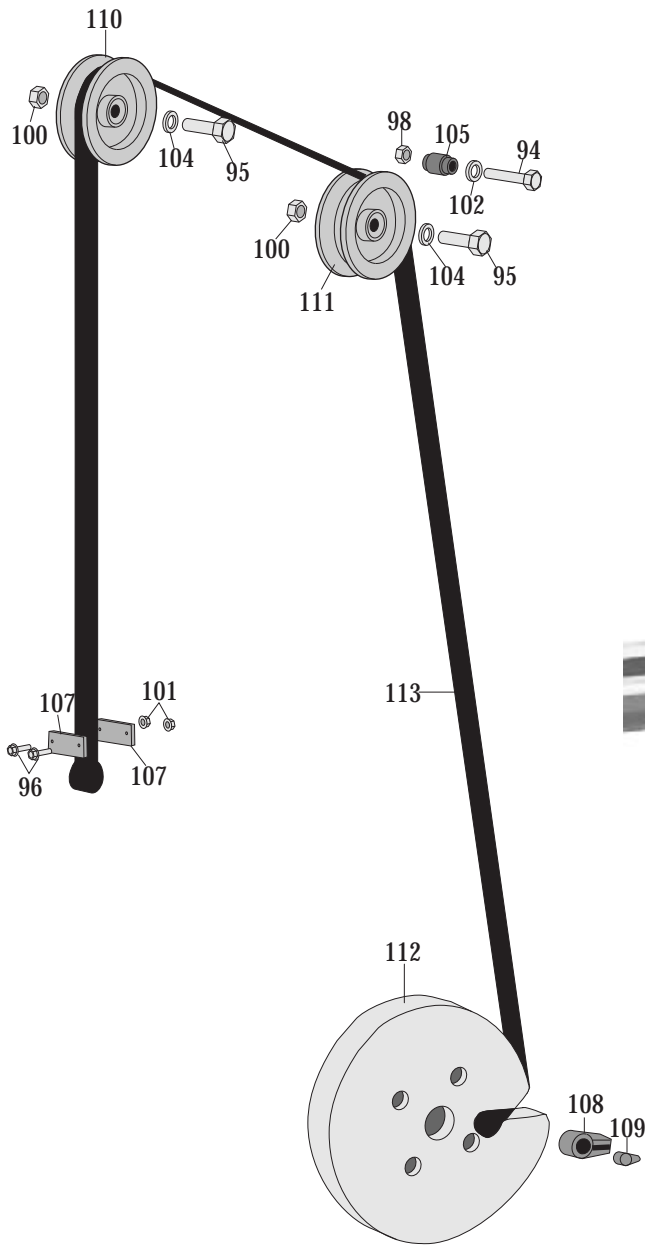
Nautilus 2ST Leg Press
SEAT ASSEMBLY



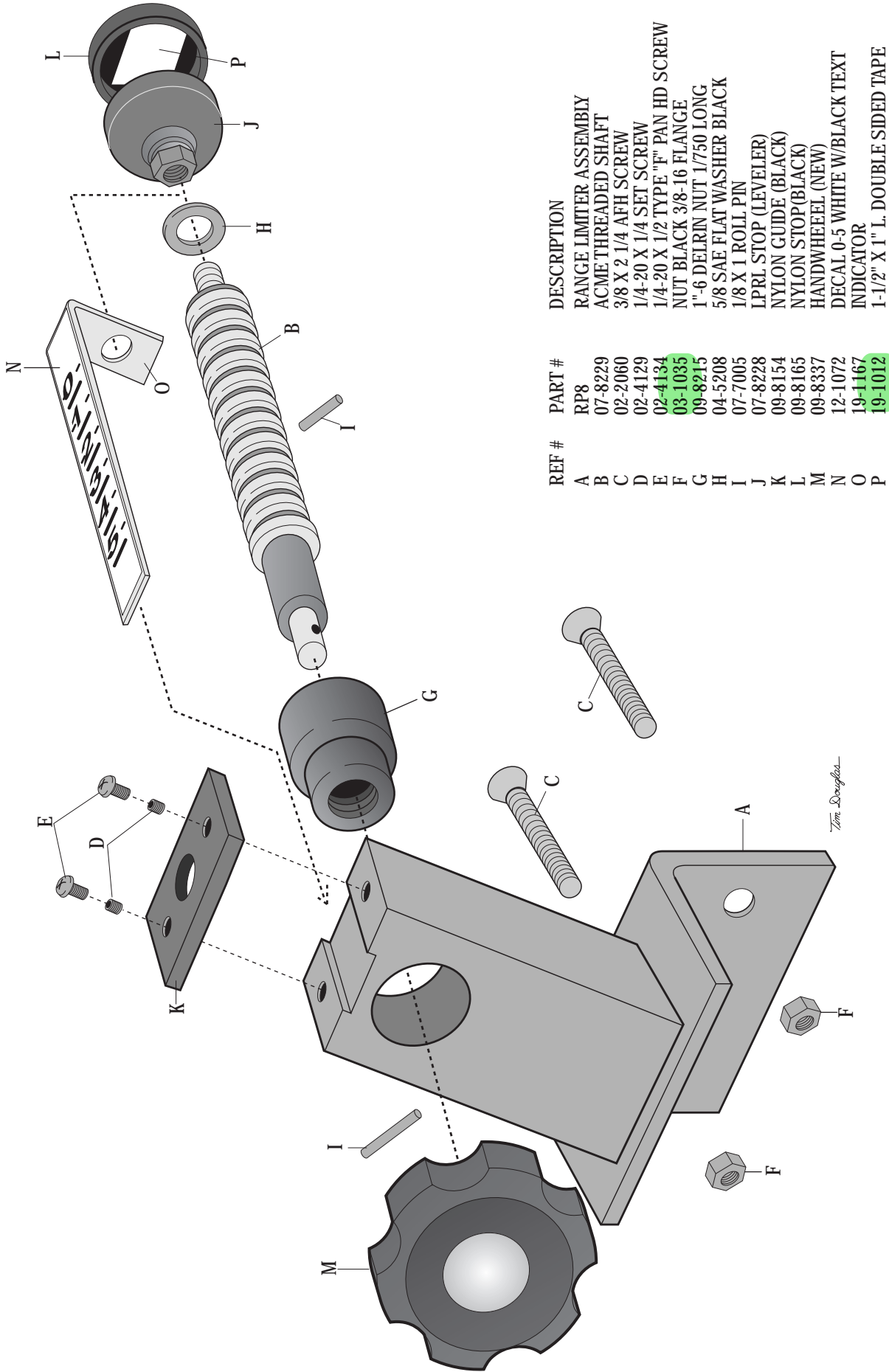
CAM ASSEMBLY



**BELT, PULLEY, &
CHAIN ASSEMBLY**



Leg Press Range Limiter Assy.



REF #	PART #	DESCRIPTION
A	RP8	RANGE LIMITER ASSEMBLY
B	07-8229	ACME THREADED SHAFT
C	02-2060	3/8 X 2 1/4 AFH SCREW
D	02-4129	1/4-20 X 1/4 SET SCREW
E	02-4134	1/4-20 X 1/2 TYPE "F" PAN HD SCREW
F	03-1035	NUT BLACK 3/8-16 FLANGE
G	09-8215	1"-6 DELRIN NUT 1/750 LONG
H	04-5208	5/8 SAE FLAT WASHER BLACK
I	07-7005	1/8 X 1 ROLL PIN
J	07-8228	LPRL STOP (LEVELER)
K	09-8154	NYLON GUIDE (BLACK)
L	09-8165	NYLON STOP (BLACK)
M	09-8337	HANDWHEEL (NEW)
N	12-1072	DECAL 0-5 WHITE W/BLACK TEXT
O	19-1167	INDICATOR
P	19-1012	1-1/2" X 1" L. DOUBLE SIDED TAPE

LEG PRESS WEIGHT STACK

STANDARD STACK LEG PRESS 30-410

REF#	PART#	DESCRIPTION
A.....	01-0015	BOLT HH 7/16-14 X 6 1/2 BLACK
B.....	02-9190	SCREW 1/4-20 x 3/4 FLANGE BUTTON HEAD
C.....	03-1045	NUT NTE 7/16 BLACK
D.....	04-5070	RUBBER WEIGHT STACK WASHER
E.....	05-4020	BOTTOM WEIGHT BUSHING
F.....	05-4035	TOP WEIGHT BUSHING
G.....	06-2005	CHAIN LINK #100 CONNECTING LINK
H.....	06-7064	COIL SUPER 6"
I.....	06-8150	1 1/4 EXTERNAL SNAP RING
J.....	07-4000	BEARING PLASTIC .376 ID X 3/8 L 6L6-F TYPE 5
K.....	07-8297	PIN WEIGHT SELECTOR W/MAGNET 7" LENGTH
L.....	07-9071	WEIGHT STACK RISER 1 1/2 X 2 X 11 3/4
M.....	09-2040	PLUG FRAME 1 1/2 X 2
N.....	09-6135	BELT ROLLER
O.....	12-1028	DECAL WARNING 6"
P.....	12-1053	WEIGHT STACK DECAL 30-410 lbs
Q.....	12-1068	WEIGHT STACK DECAL 13.6 - 186.5 kg
R.....	17-1390	GUIDE ROD 54 1/4 NLP
S.....	17-2080	1 X 6 X 12 3/4 TOP WEIGHT STEEL, 20 lbs.
T.....	17-2162	1 X 6 X 12 3/4 SECOND WEIGHT STEEL, 20 lbs.
U.....	17-2090	1 X 6 X 12 3/4 BOTTOM WEIGHT STEEL, 20 lbs..
V.....	17-4092	WEIGHT STACK PIN 20 HOLE, 21 17/32(powder paint)
W.....	19-1340	PLATE WT. SUPPORT BTM 1/4 X 3 CRF L 11 1/2"

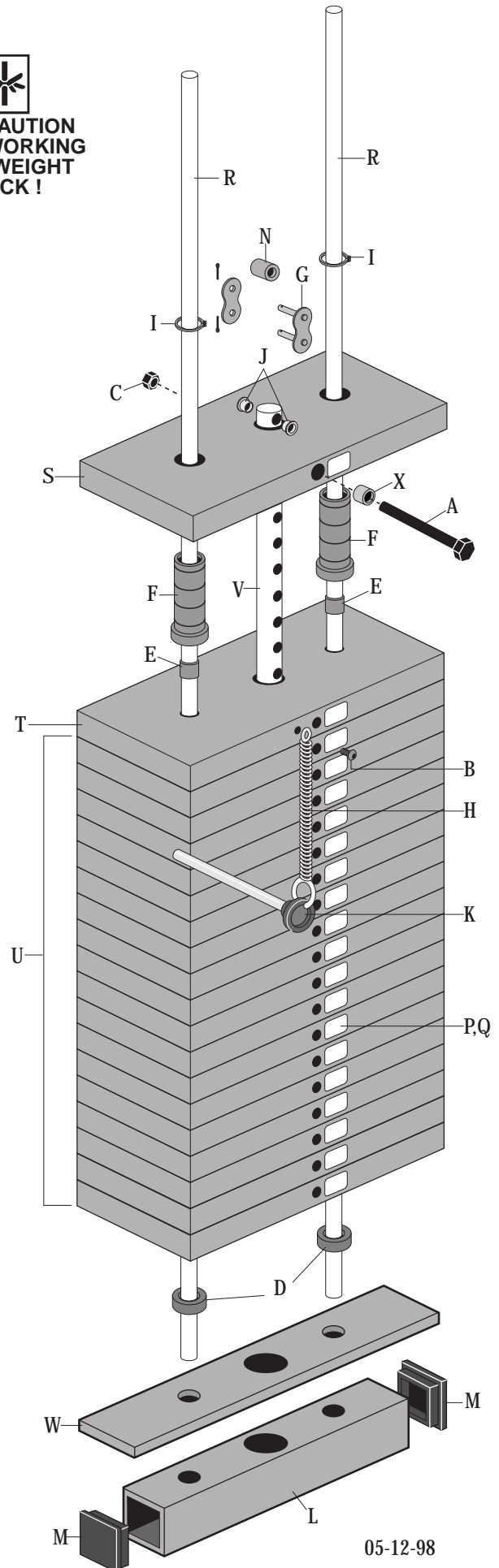
WOMENS/MEDICAL STACK LEG PRESS 30-210

REF#	PART#	DESCRIPTION
A.....	01-1185	BOIT HH5 3/8-16 X 3 1/2 BLACK
B.....	02-9190	SCREW 1/4-20 x 3/4 FLANGE BUTTON HEAD
C.....	03-1035	NUT NTE 3/8 BLACK
D.....	04-5070	RUBBER WEIGHT STACK WASHER
E.....	05-4020	BOTTOM WEIGHT BUSHING
F.....	05-4035	TOP WEIGHT BUSHING
G.....	06-2005	CHAIN LINK #100 CONNECTING LINK
H.....	06-7064	COIL SUPER 6"
I.....	06-8150	1 1/4 EXTERNAL SNAP RING
J.....	07-4000	BEARING PLASTIC .376 ID X 3/8 L 6L6-F TYPE 5
K.....	07-8296	PIN WEIGHT SELECTOR W/MAGNET 4" LENGTH
L.....	07-9071	WEIGHT STACK RISER 1 1/2 X 2 X 11 3/4
M.....	09-2040	PLUG FRAME 1 1/2 X 2
N.....	09-6135	BELT ROLLER
O.....	12-1024	DECAL WARNING 3"
P.....	12-1052	WEIGHT STACK DECAL 20-250 lbs
Q.....	12-1062	WEIGHT STACK DECAL 9.1 - 113.7 kg
R.....	17-1390	GUIDE ROD 54 1/4 NLP
S.....	17-2070	2 X 3 X 12 3/4 TOP WEIGHT STEEL, 20 lbs.
T.....	17-2060	1 X 3 X 12 3/4 BOTTOM WEIGHT STEEL, 10 lbs.
U.....	17-2060	1 X 3 X 12 3/4 BOTTOM WEIGHT STEEL, 10 lbs.
V.....	17-4092	WEIGHT STACK PIN 20 HOLE, 21 17/32(powder paint)
W.....	19-1340	PLATE WT. SUPPORT BTM 1/4 X 3 CRF L 11 1/2"
X.....	08-5015	SPACER NYLON 7/16 X 25/64 X 31/32

SUPER STACK LEG PRESS 35-510

REF#	PART#	DESCRIPTION
A.....	01-0015	BOLT HH 7/16-14 X 6 1/2 BLACK
B.....	02-9190	SCREW 1/4-20 x 3/4 FLANGE BUTTON HEAD
C.....	03-1045	NUT NTE 7/16 BLACK
D.....	04-5070	RUBBER WEIGHT STACK WASHER
E.....	05-4020	BOTTOM WEIGHT BUSHING
F.....	05-4035	TOP WEIGHT BUSHING
G.....	06-2005	CHAIN LINK #100 CONNECTING LINK
H.....	06-7064	COIL SUPER 6"
I.....	06-8150	1 1/4 EXTERNAL SNAP RING
J.....	07-4000	BEARING PLASTIC .376 ID X 3/8 L 6L6-F TYPE 5
K.....	07-8297	PIN WEIGHT SELECTOR W/MAGNET 7" LENGTH
L.....	07-9071	WEIGHT STACK RISER 1 1/2 X 2 X 11 3/4
M.....	09-2040	PLUG FRAME 1 1/2 X 2
N.....	09-6135	BELT ROLLER
O.....	12-1028	DECAL WARNING 6"
P.....	12-1059	WEIGHT STACK DECAL 35-510 lbs
Q.....	12-1069	WEIGHT STACK DECAL 15.9 - 231.8 kg
R.....	17-1390	GUIDE ROD 54 1/4 NLP
S.....	17-2100	1 X 6 X 15 3/8 TOP WEIGHT STEEL, 25 lbs.
T.....	17-2164	1 X 6 X 15 3/8 SECOND WEIGHT STEEL, 25 lbs.
U.....	17-2110	1 X 6 X 15 3/8 BOTTOM WEIGHT STEEL, 25 lbs.
V.....	17-4092	WEIGHT STACK PIN 20 HOLE, 21 17/32(powder paint)
W.....	19-1340	PLATE WT. SUPPORT BTM 1/4 X 3 CRF L 11 1/2"


**USE CAUTION
 WHEN WORKING
 WITH WEIGHT
 STACK !**



2ST LEG PRESS

E.L. CODES:

2LPS FULLY SHIELDED LEG PRESS
 2WLPS FULLY SHIELDED WOMENS' LEG PRESS
 2MLPS FULLY SHIELDED MEDICAL LEG PRESS
 2LP PARTIAL SHIELDED LEG PRESS
 2WLP PARTIAL SHIELDED WOMENS' LEG PRESS
 2SLP PARTIAL SHIELDED SUPER LEG PRESS

REF# PART# DESCRIPTION

E.L. CODE: 2LPS, 2WLPS, 2MLPS, 2LP, 2WLP, 2SLP
 WL13 WELDMENT KIT LEG PRESS
 1AB06SEAT BACK PAWL ASSEMBLY
 2AB07SEAT BACK ASSEMBLY
 3AB506SEAT BACK LOCK ASSEMBLY
 4AB508SEAT SLIDE ASSEMBLY
 5BF506BACK FRAME ASSEMBLY
 6BSF12BASE FRAME ASSEMBLY
 7BSF13BASE FRAME ASSEMBLY
 8LK13LINKAGE ASSEMBLY
 9LK14LINKAGE ASSEMBLY
 10LK15LINKAGE ASSEMBLY
 11LK16PAWL HUB ASSEMBLY
 12MA33MOVEMENT ARM ASSEMBLY
 13SE03SEAT ASSEMBLY
 14WB17WORKBOX ASSEMBLY
 15WD10WT. DRIVE ASSEMBLY 43-26DTA SPROCKET
 16WD500WEIGHT DRIVE ASSEMBLY

E.L. CODE: 2LPS, 2WLPS, 2MLPS, 2LP, 2WLP, 2SLP
 ST19 SEAT SUPPORT RAILS KIT LEG PRESS
 1704-5145PLASTIC BOLT CAP
 1801-0011BOLT HH5 1/2 X 3 BLACK
 1901-1282BOLT HH5 1/2 X 1 1/2 BLACK
 2001-1321BOLT HH5 1/2 X 2 1/2
 2101-1381BOLT HH5 1/2 X 4
 2202-9050RIVET POP 1/8 X 3/8
 2303-1055NUT NTE 1/2
 2403-1055NUT 1/2 BLACK
 2504-5214WASHER INT LOC 1/2
 2604-5214WASHER INT LOC 1/2 BLACK
 2704-51301/2" BOLT CAP WASHER
 2809-2040PLUG FRAME 1 1/2 X 2 11GA
 2912-1071DECAL SEAT 1-26 HORZ. BLACK
 3017-3115CHANNEL ALUM 3/4 X 1 3/4 X 49

E.L. CODE: 2LPS, 2WLPS, 2MLPS, 2LP, 2WLP, 2SLP
 ST18 SEAT KIT LEG PRESS
 3101-1185BOLT HH5 3/8 X 3 1/2 BLACK
 3201-1561BOLT HH5 1/2 X 2
 3301-3070BOLT SHOULDER 1/2 X 1 3/4
 3402-4114SCREW AC 3/8 X 2 1/2
 3502-6011SCREW SELF TAPPING 1/8 X 3/4
 3603-1035NUT 3/8 BLACK
 3703-1055NUT NTE 1/2
 3803-3050NUT NE 3/8
 3904-5213WASHER INT LOC 3/8 BLACK
 4004-5214WASHER INT LOC 1/2
 4105-1030BUSHING BRASS FLANGE 1/2 X 3/4 X 1/2
 4205-1070BUSHING BRASS FLANGE 3/4 X 1 X 3/4
 4305-1210BUSHING BRASS FLANGE 1.280 X 1 1/2 X 1 1/4
 4408-3000SPACER METAL 1/2 DIA X 1/16W TUBE
 4508-5120SPACER NYLON BLACK 2" DIA X 1 17/64 ID
 4609-1110GRIP HAND 1 1/8 X 12
 4709-2040PLUG FRAME 1 1/2 X 2 11GA
 4809-2060PLUG FRAME 1 1/2 X 3 11GA
 4909-3061PLUG HOLE 1/4 WHITE
 5009-4090BUMPER RUBBER 1 OD X 5/8
 5109-6100ROLLER NYLON NLP 3/4 X 1 5/8 X 2 5/8
 5209-7050BLOCK NYLON 1/2 X 1 1/2 X 3 L
 5310-1041SPRING EXT .75 X 10.343
 5419-1440HANDLE RELEASE 1 1/4 DIA X 11GA TUBE

REF# PART# DESCRIPTION

E.L. CODE: 2LPS, 2WLPS, 2MLPS, 2LP, 2WLP, 2SLP
 ST20 ADJUSTABLE SEAT BACK KIT LEG PRESS
 5501-3100BOLT SHOULDER 1/2 X 2 1/2
 5601-3300BOLT SHOULDER 3/4 X 3 1/2
 5703-1035NUT 3/8 BLACK
 5803-4142NUT JAM 5/16 BLACK
 5903-1067NUT 5/8 BLACK
 6004-5213WASHER INT LOK 3/8 BLACK
 6104-5215WASHER INT LOC 5/8 BLACK
 6205-1030BUSHING BRASS FLANGE 1/2 X 3/4 X 1/2
 6305-1080BUSHING BRASS FLANGE 3/4 X 1 X 1
 6407-8291PIN SELECTOR 1/2 DIA X 7 9/16 L ZINC PLATED
 6507-9276END SLIDES
 6607-9277TUBE PLUG / SLIDE
 6709-1070GRIP HAND 1 X 8 1/2 FOAM
 6809-2070PLUG FRAME 2 SQ 11GA
 6909-3040PLUG HOLE 1" DIA
 7009-8052VINYL CAP .750 DIA X 1/2" L BLACK TEXTURE
 7109-8053VINYL CAP 1.000 DIA X 1/2" L BLACK TEXTURE
 7209-8146SELECTOR PIN TIP
 7309-8275KNOB SELECTOR PIN
 7410-3070SPRING FL .042 X 1/2 OD X 4
 7512-1006DECAL SEAT 1-5 WHITE

E.L. CODE: 2LPS, 2WLPS, 2MLPS, 2LP, 2WLP, 2SLP
 MV12 MOVEMENT ARM KIT LEG PRESS
 7602-9220BOLT HH5 3/8 X 1 1/4
 7701-1362BOLT HH5 1/2 X 3 1/2
 7801-3250BOLT SH 3/4 X 2 1/4
 7902-4127SCREW AFH 3/8 X 2
 8003-1035NUT 3/8 BLACK
 8103-1055NUT NTE 1/2
 8203-1067NUT NTE 5/8
 8304-5207WASHER FLAT 1/2 SAE
 8404-5213WASHER INT LOK 3/8
 8504-5214WASHER INT LOC 1/2
 8604-5215WASHER INT LOC 5/8
 8707-1100BEARING ROLLER 7512 GENERAL
 8807-6021COLLAR LOK 3/4
 8907-8780SHAFT LINKAGE
 9007-8790AXLE MOVEMENT ARM
 9109-5010BUMPER DOCK 2 1/4 X 2 X 4
 9209-8130PAD NYLON 1/4 X 2 NYLON L 3 1/2"
 9313-1090SPROCKET 10-26DTC

E.L. CODE: 2LPS, 2WLPS, 2MLPS, 2LP, 2WLP, 2SLP
 BLT13 BELT & PULLEY KIT LEG PRESS
 9401-1185BOLT HH5 3/8 X 3 1/2
 9501-2200BOLT HH5 5/8 X 3 1/2
 9601-40301/4 X 1 WHIZ FLANGE SM PATTERN BLACK
 9702-4120SCREW AC 1/2 X 2
 9803-1035NUT NTE 3/8
 9903-1055NUT NTE 1/2
 10003-1067NUT NTE 5/8
 10103-42901/4-20 WHIZ FLANGE L/N SM PATTERN BLACK
 10204-5213WASHER INT LOC 3/8
 10304-5214WASHER INT LOC 1/2
 10404-5215WASHER INT LOC 5/8
 10506-5045NYLON ROLLER
 10607-8344BUSHING IDLER 7/8 DIA X .120 W. .985 L
 10707-8982END STRAP CLAMP
 10808-7063TEARDROP (CAM)
 10908-7064TEARDROP INSERT
 11009-83273" PULLEY
 11109-83304" PULLEY
 11211-33751 1/2 ALUM WEIGHT DRIVE PULLEY
 11324-6030KEVLAR BELT 112" LONG

E.L. CODE: 2LPS, 2WLPS, 2MLPS, 2LP, 2WLP, 2SLP
 CAM03 CAM KIT LEG PRESS
 11401-2180BOLT HH5 5/8 X 1 1/2

REF#	PART#	DESCRIPTION
115	01-3080	BOLT SH 1/2 X 2
116	02-4117	SCREW AC 1/2 X 1 1/4
117	02-4120	SCREW AC 1/2 X 2
118	03-1035	NUT NTE 3/8
119	03-4090	NUT CAM NLP/SQ
120	04-5213	WASHER INT LOC 3/8
121	03-5215	WASHER INT LOC 5/8
122	05-1030	BUSHING BRASS FLANGE 1/2 X 3/4 X 1/2
123	06-1040	CHAIN #40 DOUBLE 78 1/2"
124	06-2080	LINK CHAIN DBLE MSTR SHRT 40-2
125	06-2090	LINK CHAIN DOUBLE EXTENDED #40
126	06-3070	BRACKET CHAIN CBR #12
127	06-3150	BRACKET DBL CHAIN
128	07-1160	BEARING ROLLER, 7516 GENERAL 1 X 2 X .750
129	11-1320	CAM NLP 1 1/2 X 8 X 8 1/2
130	19-1300	MOUNT SHAFT 3/4 X 4 CRF L 8 5/8"

E.L. CODE: 2LPS, 2WLPS, 2MLPS, 2LP, 2WLP, 2SLP
FR11 FRAME KIT LEG PRESS

131	04-5145	PLASTIC BOLT CAP
132	01-0011	BOLT HH5 1/2 X 3 BLACK
133	01-1282	BOLT HH5 1/2 X 1 1/2
134	03-1055	NUT NTE 1/2
135	03-1055	NUT 1/2 BLACK
136	04-5214	WASHER INT LOC 1/2
137	04-5214	WASHER INT LOC 1/2 BLACK
138	04-5130	1/2" BOLT CAP WASHER
139	09-2060	PLUG FRAME 1 1/2 X 3 11GA
140	09-5030	FOOTPADS MOLDED ROUND
141	09-5035	FOOTPADS MOLDED RECT.

E.L. CODE: 2LPS, 2WLPS, 2MLPS, 2LP, 2WLP, 2SLP
SH34 SHIELD KIT LEG PRESS

142	02-4070	SHIELD SCREWS
143	12-1026	KEEP HANDS AWAY
144	12-2774	INSTRUCTION PLACARD LEG PRESS
144A	12-2775	INSTRUCTION PLACARD SUPER LEG PRESS
144B	12-2777	INSTRUCTION PLACARD MEDICAL LEG PRESS
145	19-4924	DIAGRAM PARTS LEG PRESS
146	14-2087	SHIELD BLP OUTER WORKBOX
147	03-4060	NUT CLIP 1/4-20
148	14-1890	SHIELD BLP TOP WORKBOX
149	03-4060	NUT CLIP 1/4-20
150	14-1880	SHIELD BLP PRESS ARM COVER
151	03-4030	NUT INSERT 1/4-20 X 1/2 ALUMINUM
152	14-1900	SHIELD NLP FRONT WORKBOX
153	03-4060	NUT CLIP 1/4-20
154	03-4040	1/4-20 X 5/8 REV NUT (BRASS)

E.L. CODE: 2LP, 2WLP, 2SLP
SH35 SHIELD KIT 2LP

155	09-2010	FRAME PLUG 1 1/4 SQ
156	09-3061	PLUG HOLE 1/4 WHITE
157	09-3064	PLUG HOLE WHITE 1/2
158	09-3065	PLUG HOLE WHITE 9/16
159	14-2088	SHIELD BLP OUTSIDE PARTIAL
160	02-4134	1/4 X 1/2 PAN HD. TYPE "F" CUTTING SCREW
161	07-5071	SHIELD MOUNT
162	19-1015	2" SQ SERIES 170 DUAL LOC
163	19-1016	1" X 2" RECTANGLE SERIES 400 DUAL LOC
164	14-2089	SHIELD PARTIAL INSIDE
165	14-2675	INSIDE PANEL SHIELD PARTIAL
166	03-4040	1/4-20 X 5/8 REV NUT (BRASS)
167	03-4060	1/4-20 CLIP NUT
168	02-4070	SCREW SHIELD 1/4 X 3/4
169	14-2098	INSIDE WB SHIELD PARTIAL
170	03-4060	1/4-20 CLIP NUT
171	19-1015	2" SQ SERIES 170 DUAL LOC
172	19-1016	1" X 2" RECTANGLE SERIES 400 DUAL LOC

REF#	PART#	DESCRIPTION
	E.L. CODE:	2LPS, 2WLPS, 2MLPS
	SH36	SHIELD KIT 2LPS
173	02-4134	1/4 X 1/2 PAN HD. TYPE "F" CUTTING SCREW
174	07-5071	SHIELD MOUNT
175	07-5092	1/8 X 1 HRF INNER STANDOFF SHIELD BRACE
176	14-2085	SHIELD NLP OUTSIDE
177	19-1015	2" SQ SERIES 170 DUAL LOC
178	19-1016	1" X 2" RECTANGLE SERIES 400 DUAL LOC
179	LK519	SHIELD MOUNT
180	14-2086	SHIELD BLP INSIDE
181	03-4060	NUT CLIP 1/4-20
182	02-4070	SHIELD SCREWS
183	14-1860	SHIELD NLP INNER WORKBOX
184	03-4060	NUT CLIP 1/4-20

E.L. CODE: 2MLPS
FR20 FRAME KIT LIFT LEG PRESS

185	02-9220	BOLT HH5 3/8 X 1 1/4
186	03-1035	NUT NTE 3/8
187	04-5135	3/8" BOLT CAP WASHER
188	04-5145	PLASTIC BOLT CAP
189	BSF30	BACK FRAME STAND ASSEMBLY
190	BSF31	BASE FRAME ASSEMBLY
191	BSF32	BASE FRAME ASSEMBLY

E.L. CODE: 2MLPS
RL-14 LEG PRESS RANGE LIMITER KIT

192	RP-8	RANGE LIMITER ASSEMBLY
193	07-8229	ACME THREADED SHAFT
194	02-2060	3/8 X 2 1/4 AFH SCREW
195	02-4129	1/4-20 X 1/4 SET SCREW
196	02-4134	1/4-20 X 1/2 TYPE "F" PAN HD SCREW
197	03-1035	NUT BLACK 3/8-16 FLANGE BLACK
198	04-5208	5/8 SAE FLAT WASHER
199	07-7005	1/8 X 1 ROLL PIN
200	07-8228	LPRL STOP (LEVELER)
201	09-8154	NYLON GUIDE (BLACK)
202	09-8165	NYLON STOP (BLACK)
203	09-8215	1"-6 DELRIN NUT 1/750 LONG
204	09-8337	HANDWHEEL J.W. WINCO PN 6377025
205	12-1072	DECAL 0-5 WHITE W/BLACK TEXT
206	19-1012	1 1/2" WIDE DOUBLE SIDED TAPE (.0833 FT.)
207	19-1167	INDICATOR

E.L. CODE: 2LPS, 2WLPS, 2MLPS, 2LP, 2WLP, 2SLP
IN01 INSPECTION KIT

208	12-1080	INSPECTION STICKER DECAL
209	12-1088	DECAL NAUTILUS NAMEPLATE 2 1/2 x 9 1/4 long
210	19-1291	DECAL SERIAL # BAR CODE
211	40-7167	BAG 50 X 46 X 86 X .002 THICK

E.L. CODE: 2WLPS, 2WLP
IN03 INSPECTION KIT

211A	12-1175	NAUTILUS WOMEN'S NAMEPLATE 2 1/2 x 9 1/4
------	---------	--

UPH06 BELTED LEG PRESS UPHOLSTERY KIT

212	UP8980	PAD SEAT
213	01-1151	BOLT HH5 3/8 X 2 3/4 BLACK
214	04-5213	WASHER INT LOK 3/8 BLACK
215	UP8990	PAD BACK
216	UP710	SLIPCOVER
217	02-9220	BOLT HH5 3/8 X 1 1/4 BLACK
218	04-5213	WASHER INT LOC 3/8 BLACK
219	01-1151	BOLT HH5 3/8 X 2 3/4 BLACK
220	04-5135	3/8" BOLT CAP WASHER
221	04-5145	PLASTIC BOLT CAP
222	UP9000	PAD FOOT
223	02-9220	BOLT HH5 3/8 X 1 1/4 BLACK
224	01-1121	BOLT HH5 3/8 X 2 BLACK
225	19-1240	PLATE FOOTBOARD HANDLE BACK
226	19-1280	HANDLE FOOTBOARD