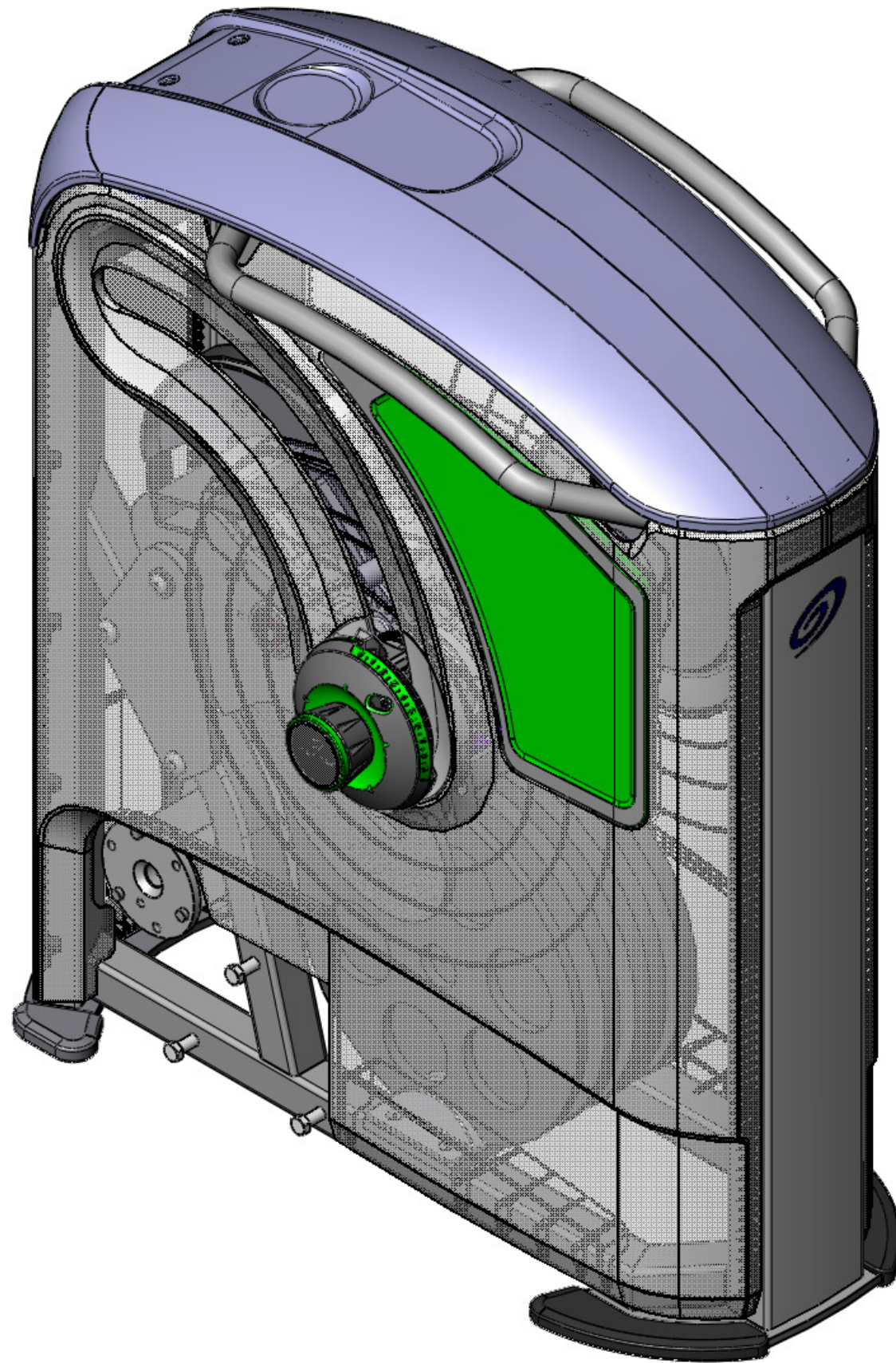


WT-SYS-250-1

MATERIAL: --

FINISH: --

COLOR: --



ECO	REVISION	REVISIONS	APPROVED	DATE
071607-G	A	Initial Release	GMW	7/16/2007
081407-A	B	Replace rear shield bolt with shorter one.	GMW	8/14/2007
	C	Updated Part Numbers	GMW	11/1/2007
062708-A	D	Updated Part Numbers	GMW	7/2/2008

ITEM NO.	PART NUMBER	QTY.	DESCRIPTION
1	ENGINE-WT-250-1	1	ENGINE WEIGHT 250 LB 1 LB INCR
2	60-1202	1	S6 Tower Backframe
3	62-1211	1	HANDLEBAR TOWER
4	KNOB-LB-250-1	1	Weight Select Knob Assy
5	01-0011	3	1/2 -13 UNC x 3 Bolt
6	09-5030	1	FOOTPAD MOLDED BLACK
7	01-4070	4	BUTTON HEAD SOCKET CAP SCREW, 5/8 -11 x 1" BRIGHT ZINC
8	09-1273	1	Stop Weight Lower Engine "ONE"
9	56-0143	1	Mount Plate Inside Engine "ONE"
10	56-0144	1	Mount Plate Outside Engine "ONE"
11	56-0096	1	Mount Tower Display Marketing
12	03-4035	1	1/4-20 INSERT 11/16" LONG
13	02-9220	2	3/8 -16 UNC x 1 1/4 Bolt
14	01-1550	2	3/8 -16 UNC x 3 Bolt
15	02-3056	4	SCW-FHSCS 0313-18x0.625 G8-Zc
16	02-3054	2	SCW-FHSCS 0250-20x0.625 G8-Zc
17	03-1035	4	3/8" Lock Nut
18	03-2020	2	1/4" Lock Nut
19	09-4092	1	BUMPER
20	09-1272	1	Stop Weight Upper Engine "ONE"
21	12-5620	1	NLS Logo 3" Decal (001-4009)
22	12-5625	1	Engine Cover Decal "ONE"
23	12-1380	1	MADE IN USA
24	19-1291	1	SERIAL NO. DECAL
25	12-5626	1	NLS ONE Back Dome
26	12-5621	1	NLS ONE 3" Dome Decal (000-6491)
27	03-1055	2	1/2" Lock Nut
28	04-5207	1	WASHER, FLAT, 1/2" SAE
29	01-4054	2	BUTTON HEAD SOCKET CAP SCREW, 1/2 -13 x 1 1/2" BRIGHT ZINC
30	07-4005	1	Elson PF1008
31	01-4053	1	BUTTON HEAD SOCKET CAP SCREW, 1/2 -13 x 1" BRIGHT ZINC
32	67-1200	1	Weight Drive Tower Positive Cam
33	56-0035	2	CLAMP BELT 1 1/4"
34	56-0217	2	Clamp Belt ONE
35	24-6045 (49.5")	1	Component Belt Weight Engine "ONE" - 49.5"
36	01-4035	4	1/4 -20 UNC x 1 1/4 Wiz Lock Bolt
37	09-1213	2	Footpad Rubber Tower Front "ONE"
38	09-1214	2	Footpad Rubber Tower Rear "ONE"
39	01-4050	1	BUTTON HEAD SOCKET CAP SCREW 1/4 -20 x 3/4" BRIGHT ZINC
40	01-4060	2	BUTTON HEAD SOCKET CAP SCREW, 1/4 -20 x 3/8" BRIGHT ZINC
41	KIT-TOWR-SHIELD	1	SHIELD KIT FOR S6 WEIGHT SYS

UNLESS OTHERWISE SPECIFIED:
 1. ALL DIMENSIONS APPLY BEFORE PLATING OR COATING.
 2. REMOVE ALL BURRS BREAK SHARP EDGES 100 IN MAX.
 3. ALL MACHINED SURFACES Ra 125 UN.
 4. ALL APPLICABLE NAUTILUS STANDARDS AND SPECIFICATIONS APPLY.

NAUTILUS, INC.
 16400 SE NAUTILUS DRIVE, VANCOUVER, WA 98683

DESIGNED: **G. WEBB**
 DRAWN: **G. Webb**
 DATE: **09/07/07**

INCH THIRD ANGLE PROJECTION

TOLERANCES:
 X ±.125
 XX ±.020
 XXX ±.010
 XXXX ±.005
 XXXX ±.004
 ANGULAR ±1°

INTERPRET DIMENSIONS AND TOLERANCES PER ASME Y14.5M - 1994
 DO NOT SCALE DRAWING

TITLE: **Tower Weight Engine "ONE" 250-1**
 SIZE: **E** PART NO: **WT-SYS-250-1** REV: **D**

SCALE: 1:2 SHEET 1 OF 7

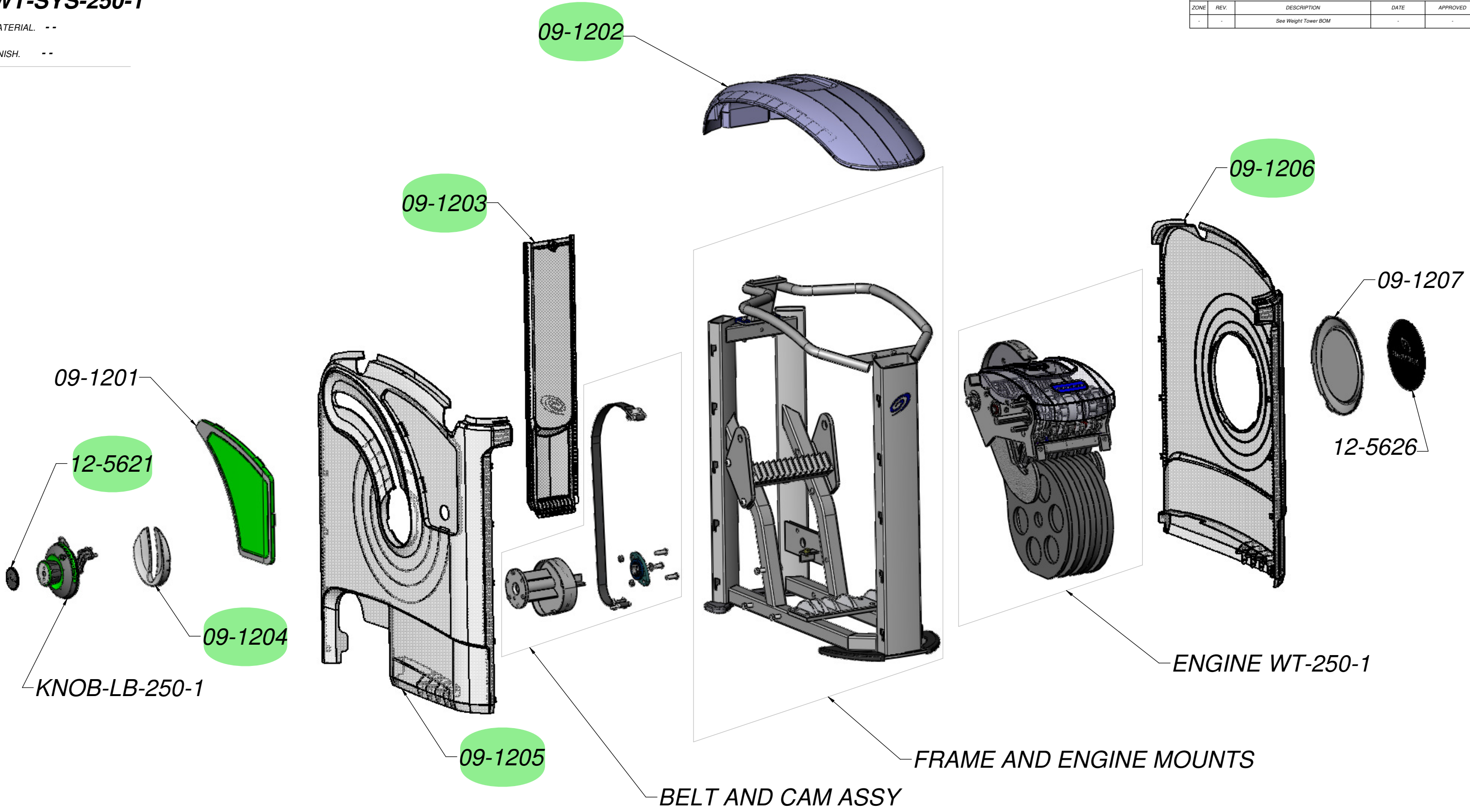
This document is the property of Nautilus, Inc. It may not be reproduced in whole or part, provided to third parties, or used for any purposes other than the performance of work for Nautilus, Inc. without written authorization. All rights are reserved, including copyrights.

WT-SYS-250-1

MATERIAL. --

FINISH. --

REVISIONS				
ZONE	REV.	DESCRIPTION	DATE	APPROVED
-	-	See Weight Tower BOM	-	-



NAUTILUS, INC.
 16400 SE NAUTILUS DRIVE, VANCOUVER, WA 98683
 CONTACT email / phone #

UNLESS OTHERWISE SPECIFIED:
 1. ALL DIMENSIONS APPLY BEFORE PLATING OR COATING.
 2. REMOVE ALL BURRS, BREAK SHARP EDGES 0.5 MM MAX.
 3. ALL MACHINED SURFACES Ra 3.2 µm.
 4. ALL APPLICABLE NAUTILUS STANDARDS AND SPECIFICATIONS APPLY.

METRIC THIRD ANGLE PROJECTION

TOLERANCES.

X.	± 3
X.X	± 0.5
X.XX	± 0.25
X.XXX	± 0.1
ANGULAR	± 1°

(INTERPRET DIMENSIONS AND TOLERANCES PER ASME Y14.5M - 1994)

DESIGNED	G. WEBB
DRAWN	G. Webb
DATE	09/07/07

TITLE: **Tower Weight Engine "ONE" 250-1**

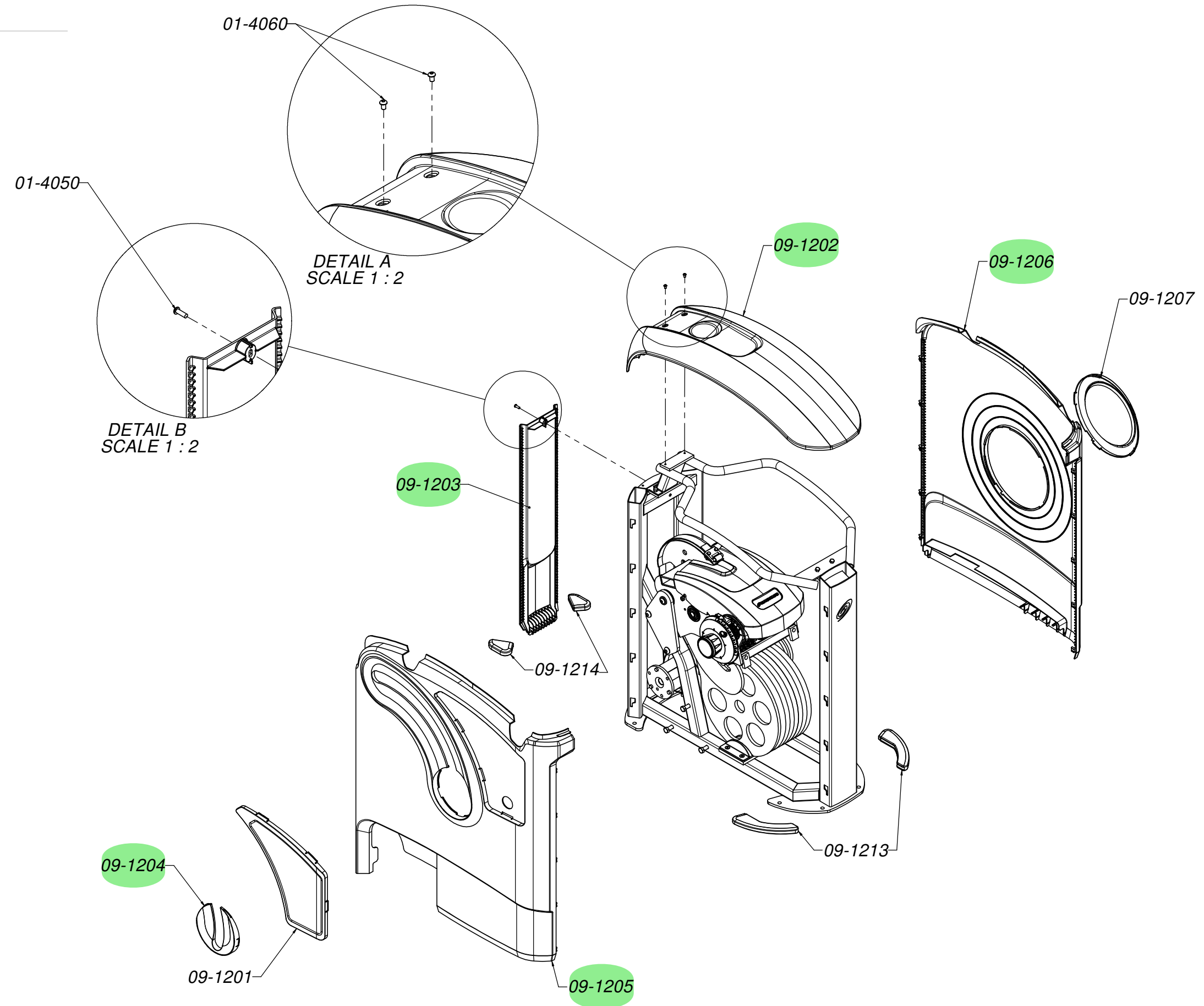
SIZE	D	PART NO.	WT-SYS-250-1	REV.	D
------	---	----------	---------------------	------	----------

SCALE: 1:6 SHEET 2 OF 7

WT-SYS-250-1

MATERIAL --
FINISH --

ZONE	REV	DESCRIPTION	REVISIONS	DATE	APPROVED
		See Weight Your BOM			



NAUTILUS
NAUTILUS, INC.
16400 SE NAUTILUS DRIVE, VANCOUVER, WA 98683
CONTACT email / phone #

UNLESS OTHERWISE SPECIFIED:
1. ALL DIMENSIONS APPLY BEFORE PLATING OR COATING.
2. FINISH: ALL SURFACES BREAK SHARP EDGES 0.5 MM MAX.
3. ALL MACHINED SURFACES Ra 3.2 UM.
4. ALL APPLICABLE NAUTILUS STANDARDS AND SPECIFICATIONS APPLY.

METRIC THIRD ANGLE PROJECTION

TOLERANCES:

X	± 3
XX	± 0.5
XXX	± 0.25
XXXX	± 0.1
ANGULAR	± 1°

(INTERPRET DIMENSIONS AND TOLERANCES PER ASME Y14.5M - 1994)

DESIGNED: G. WEBB
DRAWN: G. Webb
DATE: 09/07/07

TITLE: Tower Weight Engine "ONE" 250-1
SIZE: E PART NO: WT-SYS-250-1 REV: D
SCALE: 1:5 SHEET 3 OF 7

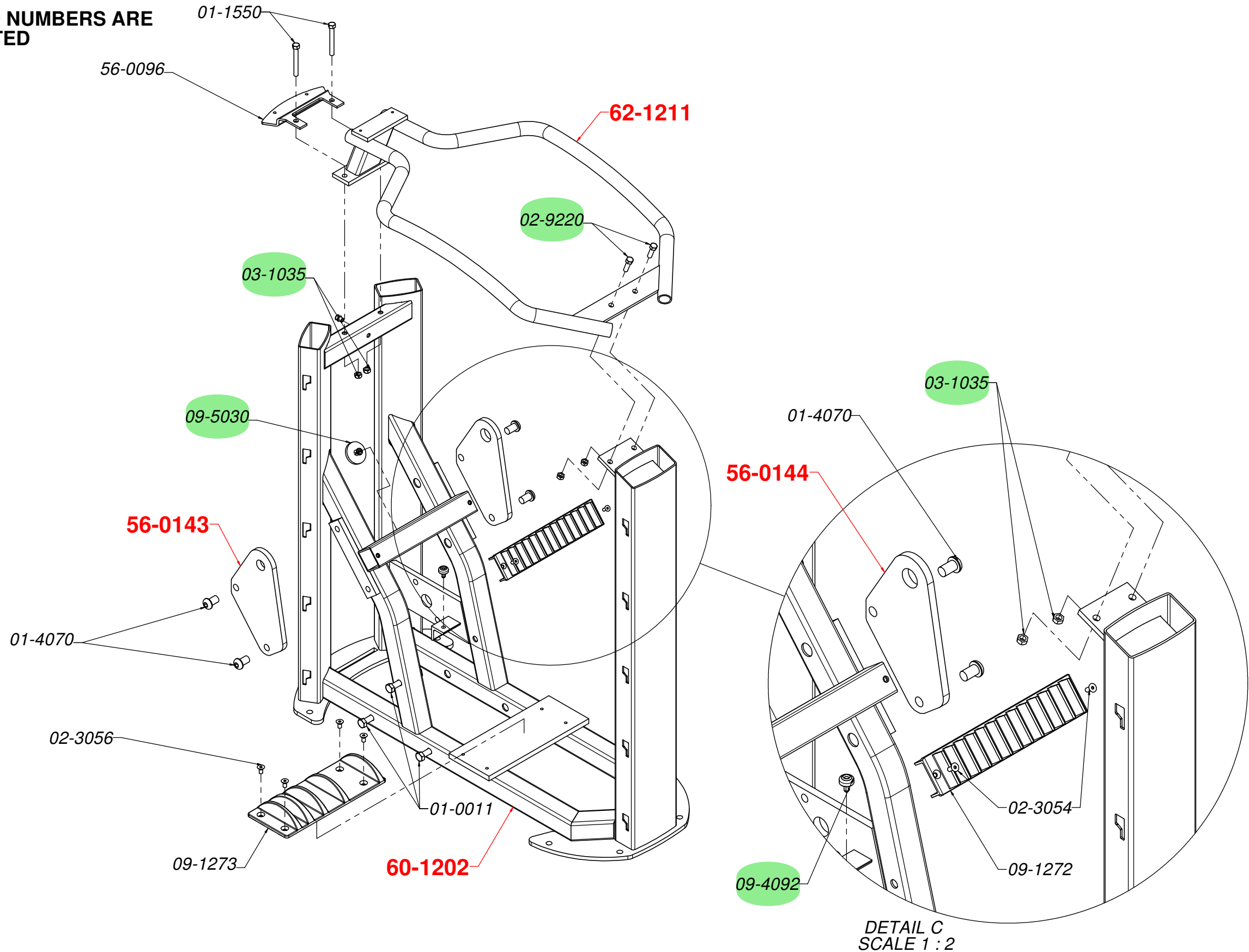
WT-SYS-250-1

MATERIAL: ..

FINISH: ..

REVISIONS				
ZONE	REV.	DESCRIPTION	DATE	APPROVED
		See Weight Tower BOM		

- ALL BOLD RED NUMBERS ARE POWDER COATED



DETAIL C
SCALE 1 : 2

NAUTILUS
NAUTILUS, INC.
16400 SE NAUTILUS DRIVE, VANCOUVER, WA 98683
CONTACT: email / phone #

UNLESS OTHERWISE SPECIFIED:
1. ALL DIMENSIONS APPLY BEFORE PLATING OR COATING.
2. FINISH: ALL BEHNS BREAK SHARP EDGES 300 IN MAX.
3. ALL MACHINED SURFACES R4 125 UN.
4. ALL APPLICABLE NAUTILUS STANDARDS AND SPECIFICATIONS APPLY.

INCH



TOLERANCES:
X ±.125
XX ±.020
XXX ±.010
XXX ±.005
XXX ±.004
ANGULAR ±1°

DESIGNED: G.WEBB
DRAWN: G.Webb
DATE: 09/07/07

TITLE: Tower Weight Engine "ONE" 250-1
SIZE: E
PART NO: WT-SYS-250-1
REV: D

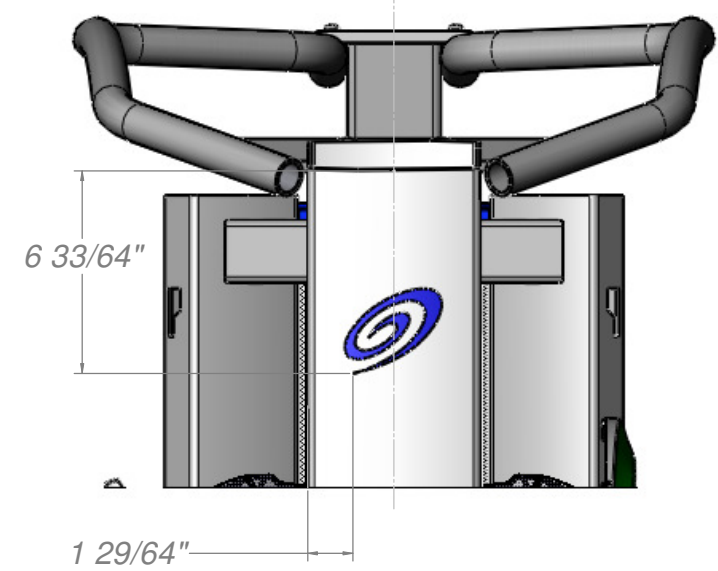
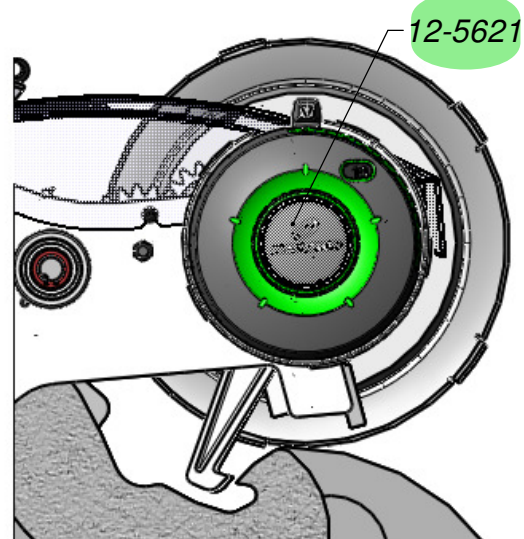
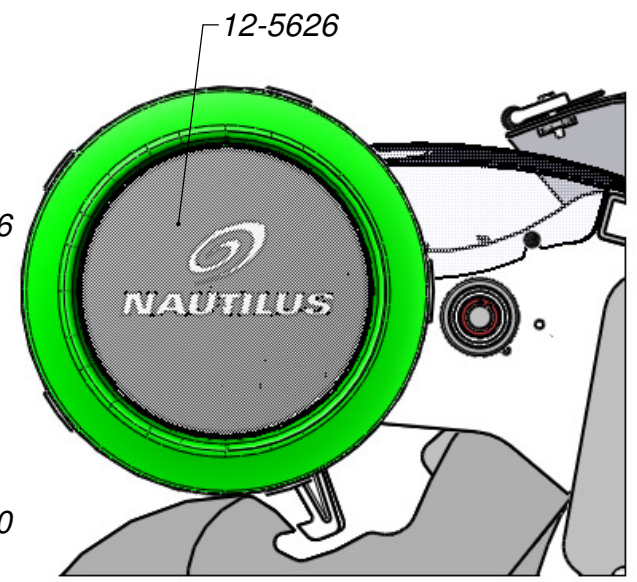
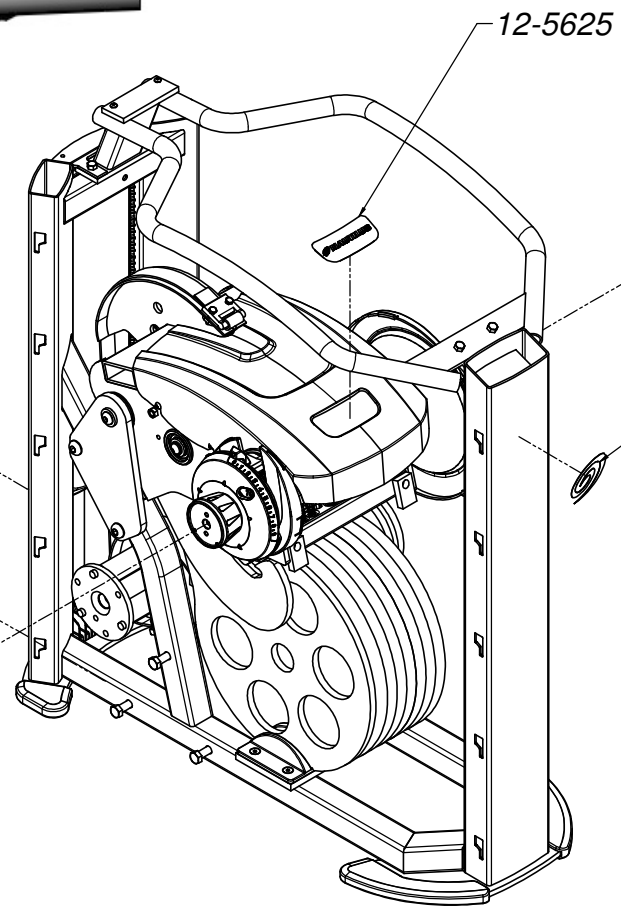
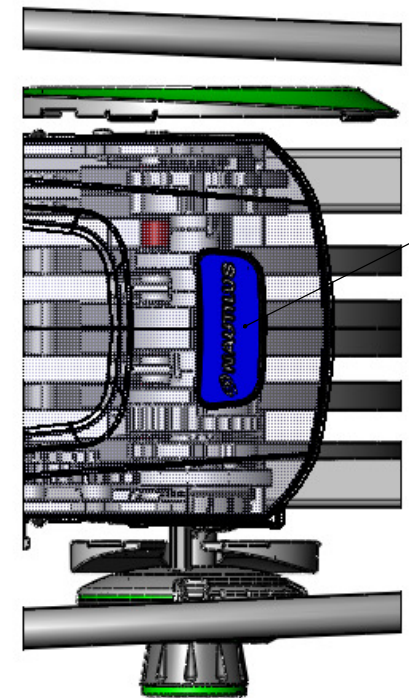
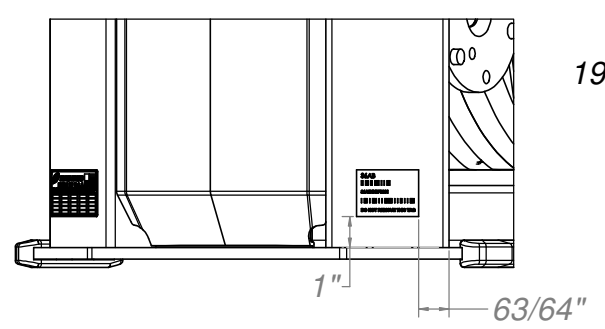
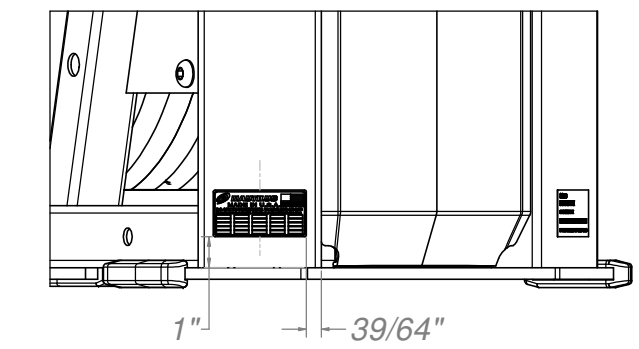
SCALE: 1:3 SHEET 4 OF 7

This document is the property of Nautilus, Inc. It may not be reproduced in whole or part, provided to third parties, or used for any purposes other than the performance of work for Nautilus, Inc. without written authorization. All rights are reserved, including copyrights.

WT-SYS-250-1

MATERIAL --
FINISH --

ZONE	REV.	DESCRIPTION	DATE	APPROVED
		See Weight Tower ROM		



NAUTILUS
16400 SE NAUTILUS DRIVE, VANCOUVER, WA 98683
CONTACT email / phone #

UNLESS OTHERWISE SPECIFIED:
1. ALL DIMENSIONS APPLY BEFORE PLATING OR COATING.
2. REMOVE ALL BURRS; BREAK SHARP EDGES 0.5 MM MAX.
3. ALL MACHINED SURFACES Ra 3.0 µm.
4. ALL APPLICABLE NAUTILUS STANDARDS AND SPECIFICATIONS APPLY.

METRIC THIRD ANGLE PROJECTION

TOLERANCES:
X ± 3
XX ± 0.5
XXX ± 0.25
XXX ± 0.1
ANGULAR ± 1°

DESIGNED G. WEBB
DRAWN G. Webb
DATE 09/07/07

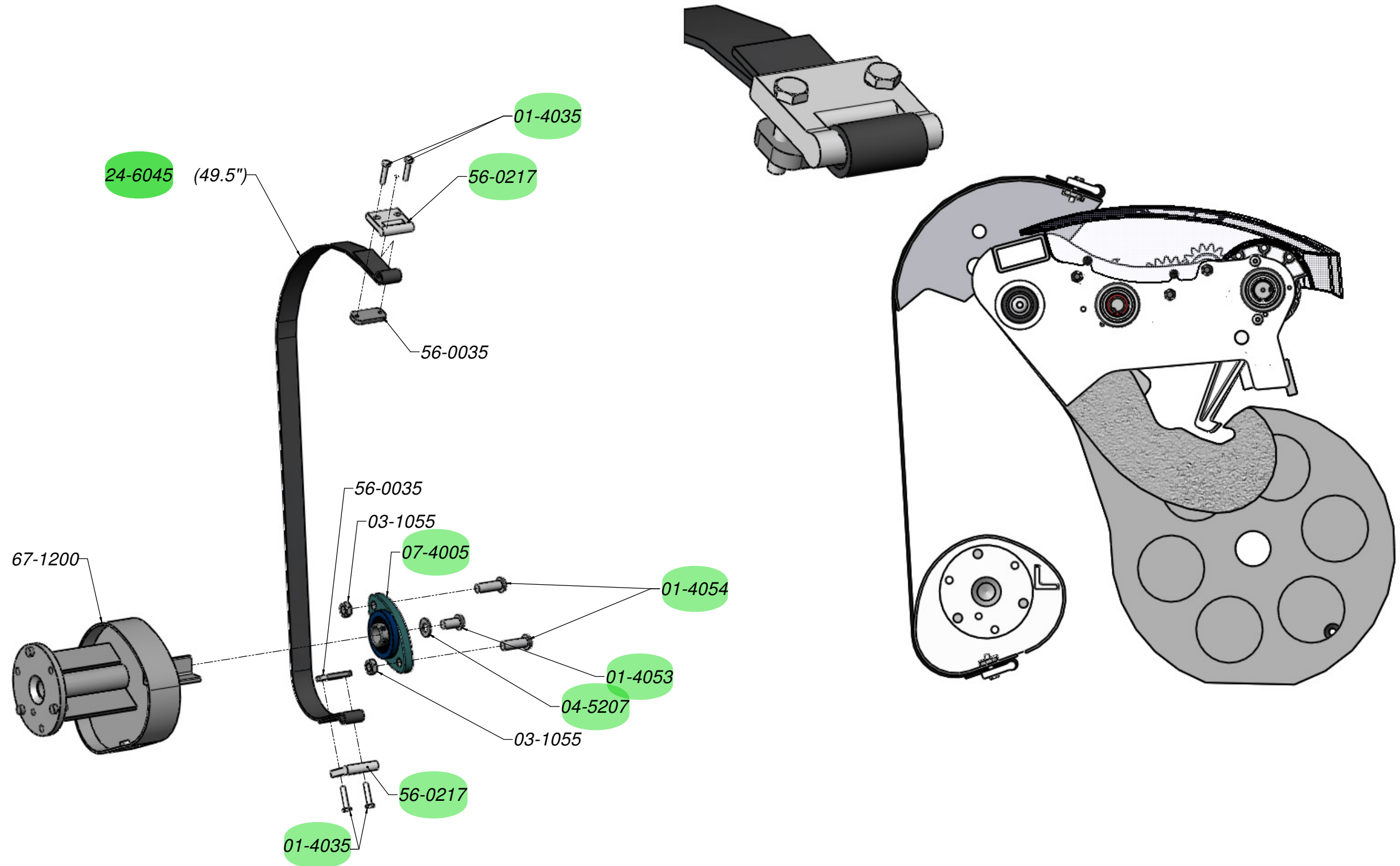
TITLE Tower Weight Engine "ONE" 250-1
SIZE PART NO. WT-SYS-250-1
E REV. D
SCALE: 1:4 SHEET 5 OF 7

This document is the property of Nautilus, Inc. It may not be reproduced in whole or part, provided to third parties, or used for any purposes other than the performance of work for Nautilus, Inc. without written authorization. All rights are reserved, including copyrights.

WT-SYS-250-1

MATERIAL --
FINISH --

REVISIONS				
ZONE	REV.	DESCRIPTION	DATE	APPROVED
		See Weight Tower BOM		



NAUTILUS
NAUTILUS, INC.
16400 SE NAUTILUS DRIVE, VANCOUVER, WA 98683
CONTACT email / phone #

UNLESS OTHERWISE SPECIFIED:
1. ALL DIMENSIONS APPLY BEFORE PLATING OR COATING.
2. REMOVE ALL BURRS; BREAK SHARP EDGES 0.5 MM MAX.
3. ALL MACHINED SURFACES Ra 3.2 UM.
3. ALL APPLICABLE NAUTILUS STANDARDS AND SPECIFICATIONS APPLY.

METRIC THIRD ANGLE PROJECTION

TOLERANCES:

X	± 3
XX	± 0.5
XXX	± 0.25
XXXX	± 0.1
ANGULAR	± 1°

(INTERPRET DIMENSIONS AND TOLERANCES PER ASME Y14.5M - 1994)

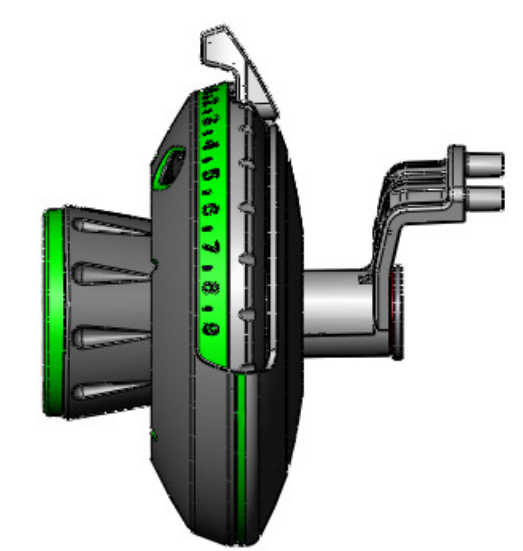
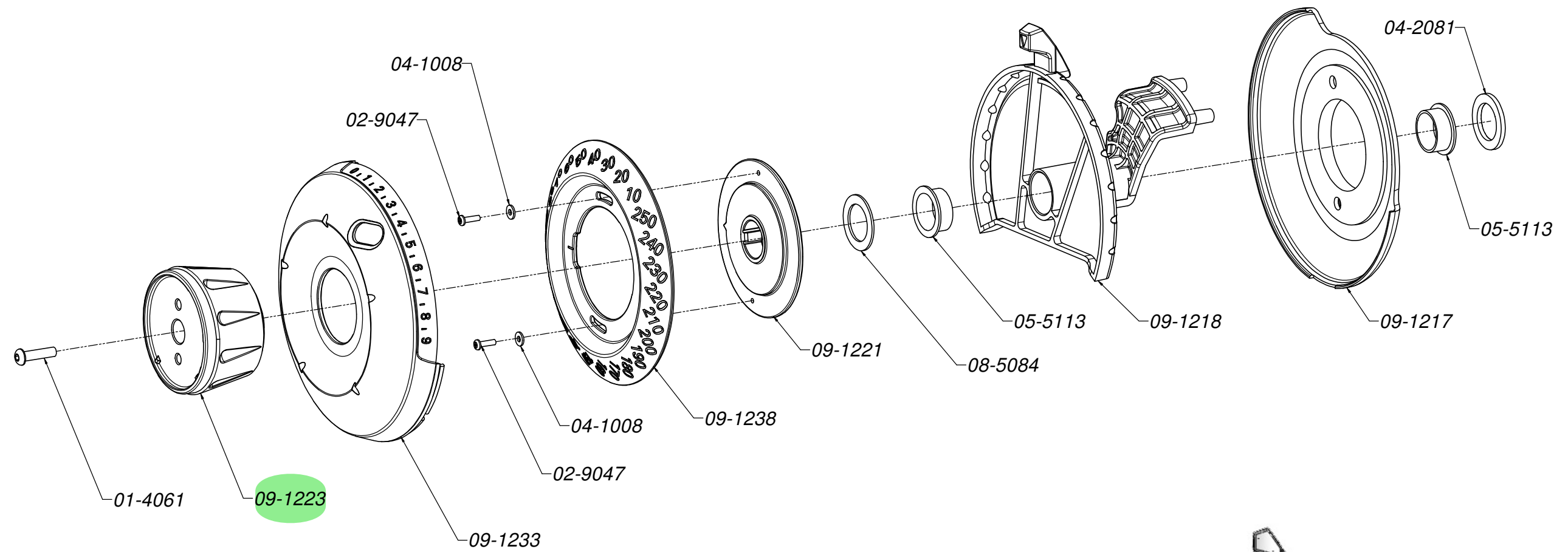
DESIGNED: G.WEBB
DRAWN: G.Webb
DATE: 09/07/07

TITLE: Tower Weight Engine "ONE" 250-1
SIZE: E PART NO: WT-SYS-250-1 REV: D
SCALE: 1:2 SHEET 6 OF 7

WT-SYS-250-1

MATERIAL --
FINISH --

REVISIONS				
ZONE	REV.	DESCRIPTION	DATE	APPROVED
-	-	See Weight Tower BOM	-	-



NAUTILUS
NAUTILUS, INC.
16400 SE NAUTILUS DRIVE, VANCOUVER, WA 98683
CONTACT email / phone #

UNLESS OTHERWISE SPECIFIED:
1. ALL DIMENSIONS APPLY BEFORE PLATING OR COATING.
2. REMOVE ALL BURRS; BREAK SHARP EDGES 0.5 MM MAX.
3. ALL MACHINED SURFACES Ra 3.2 UM.
4. ALL APPLICABLE NAUTILUS STANDARDS AND SPECIFICATIONS APPLY.

METRIC
THIRD ANGLE PROJECTION

TOLERANCES:
X ± 3
XX ± 0.5
XXX ± 0.25
XXX ± 0.1
ANGULAR ± 1°

DESIGNED G.WEBB
DRAWN G.Webb
DATE 09/07/07

TITLE Tower Weight Engine "ONE" 250-1
SIZE PART NO WT-SYS-250-1
E
SCALE: 1:1 SHEET 7 OF 7
REV D

This document is the property of Nautilus, Inc. It may not be reproduced in whole or part, provided to third parties, or used for any purposes other than the performance of work for Nautilus, Inc. without written authorization. All rights are reserved, including copyrights.