

RED BOLD NUMBERS ARE  
POWDER COATED

BLACK BOLD NUMBERS  
INDICATE UPHOLSTERY

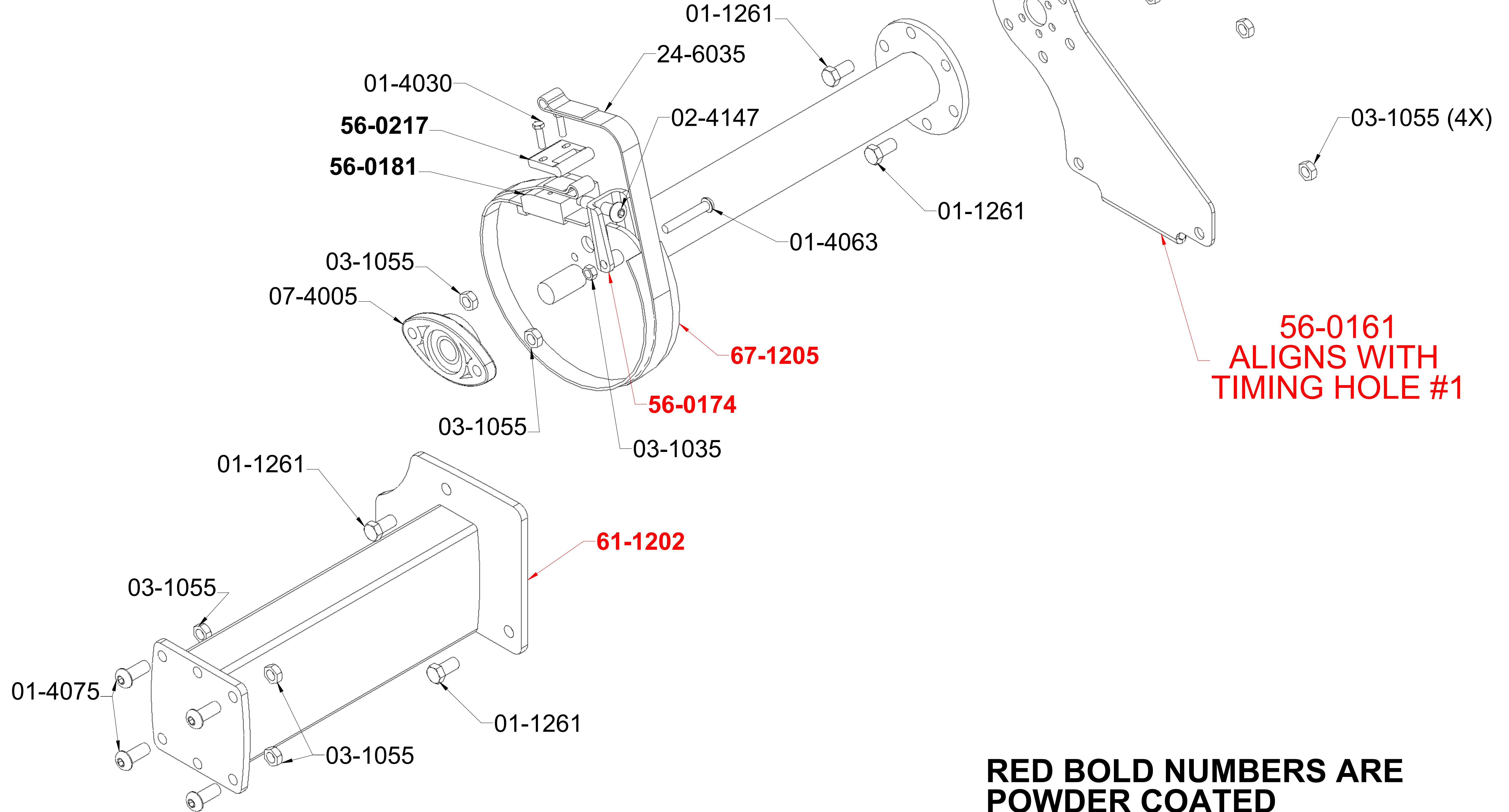
**Last Rev Date: 09/02/08**

**S6LATP  
ONE  
LAT PULLDOWN  
Parts Diagram**

s6latp

# CAM AND JACKSHAFT

REVISIONS				
ZONE	REV.	DESCRIPTION	DATE	APPROVED
-	-	See Sheet1	-	-

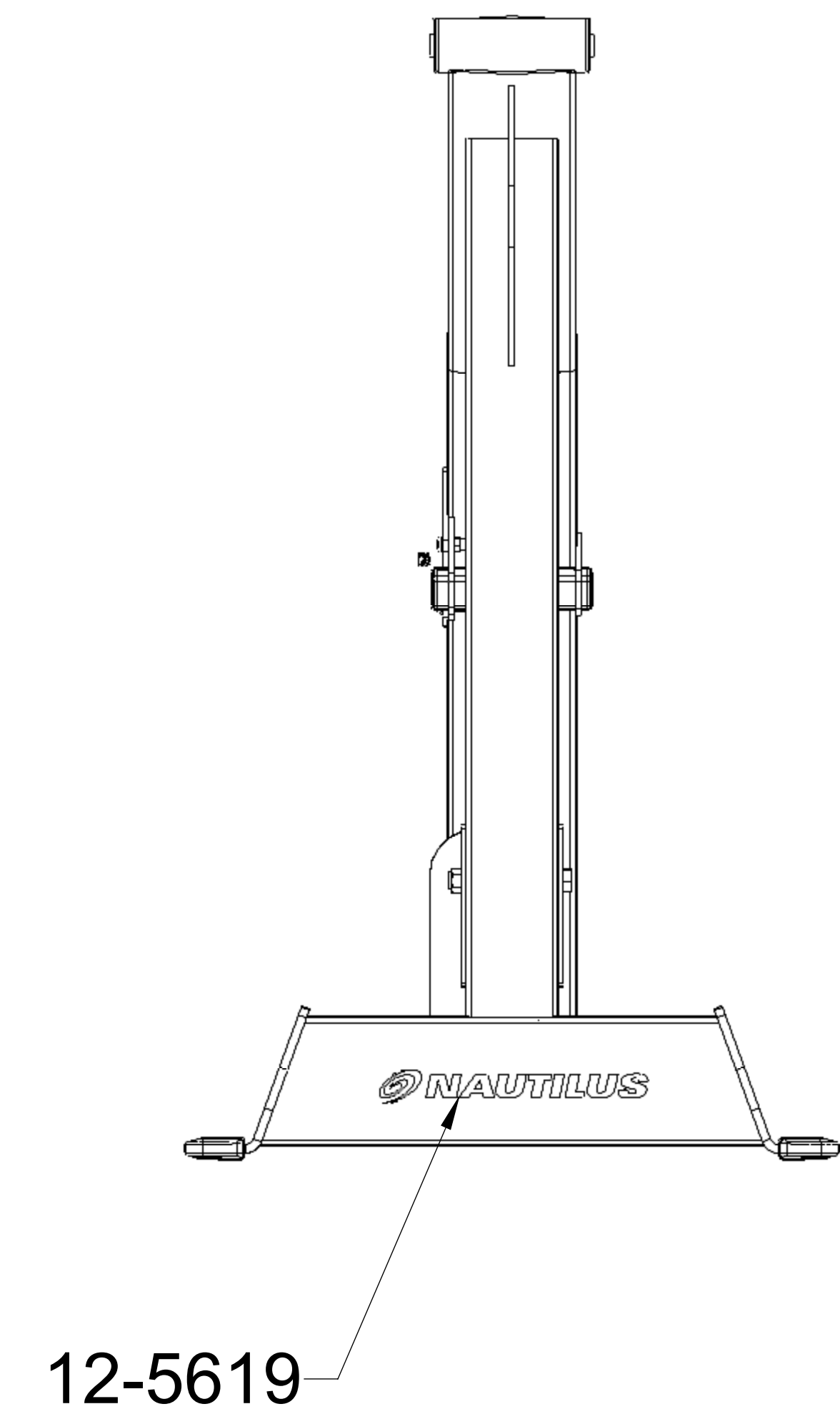
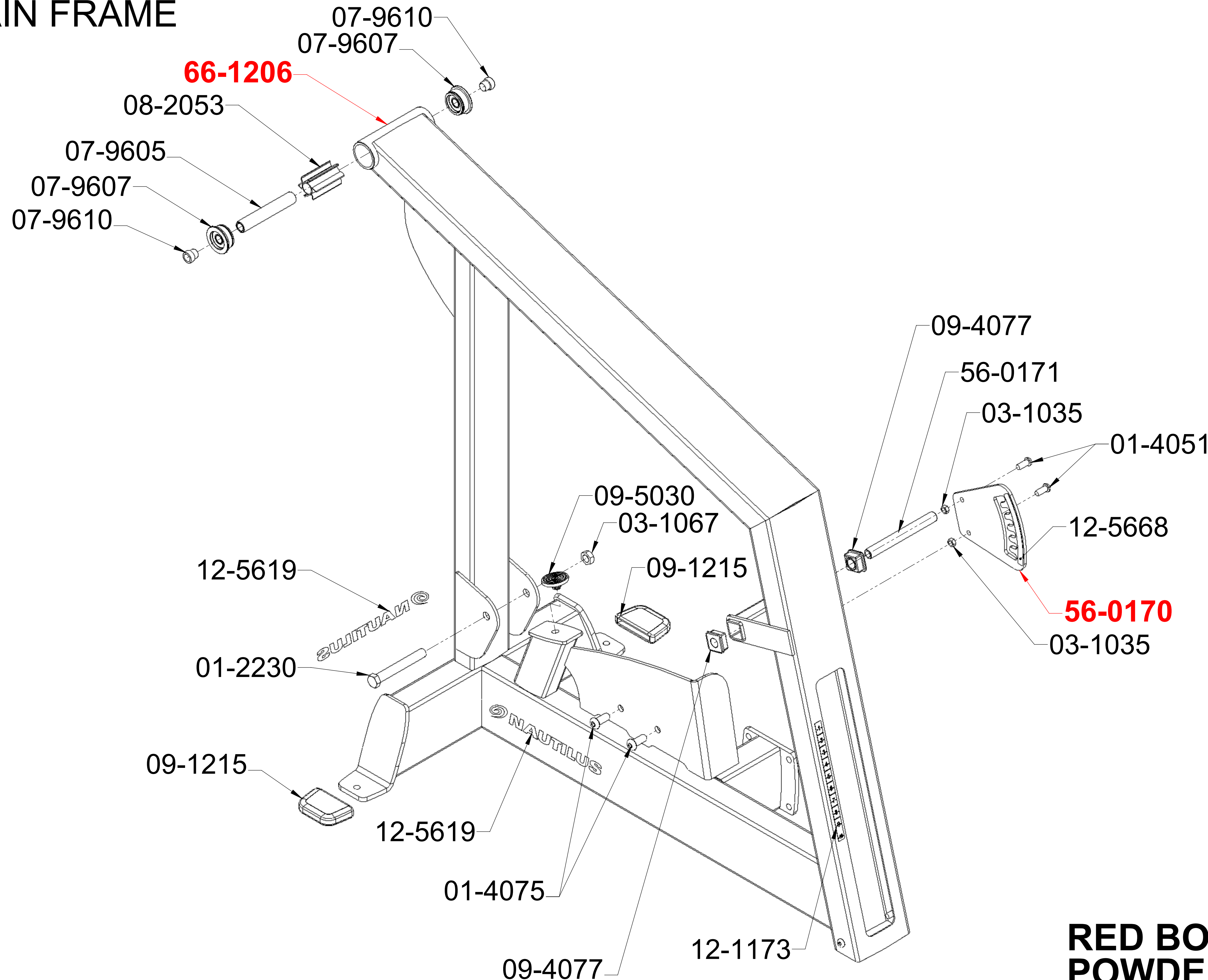


**RED BOLD NUMBERS ARE POWDER COATED**

s6latp

# MAIN FRAME

REVISIONS				
ZONE	REV.	DESCRIPTION	DATE	APPROVED
-	-	See Sheet1	-	-



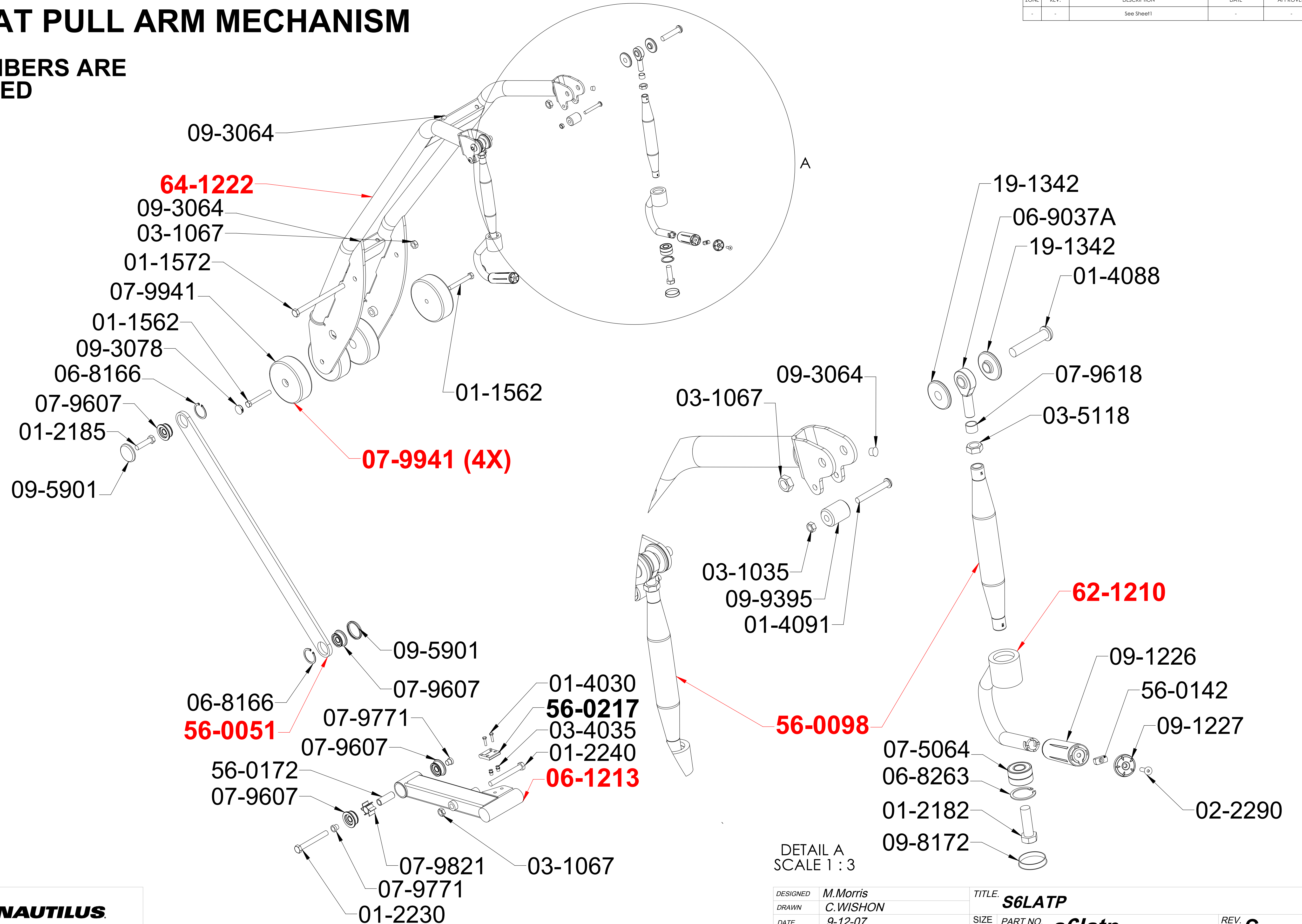
## RED BOLD NUMBERS ARE POWDER COATED

s6latp

# LAT PULL ARM MECHANISM

RED BOLD NUMBERS ARE  
POWDER COATED

REVISIONS				
ZONE	REV.	DESCRIPTION	DATE	APPROVED
-	-	See Sheet1	-	-



DETAIL A  
SCALE 1 : 3

s6latp

# SEAT MECHANISM

**RED BOLD NUMBERS ARE  
POWDER COATED**

**BLACK BOLD NUMBERS  
INDICATE UPHOLSTERY**

