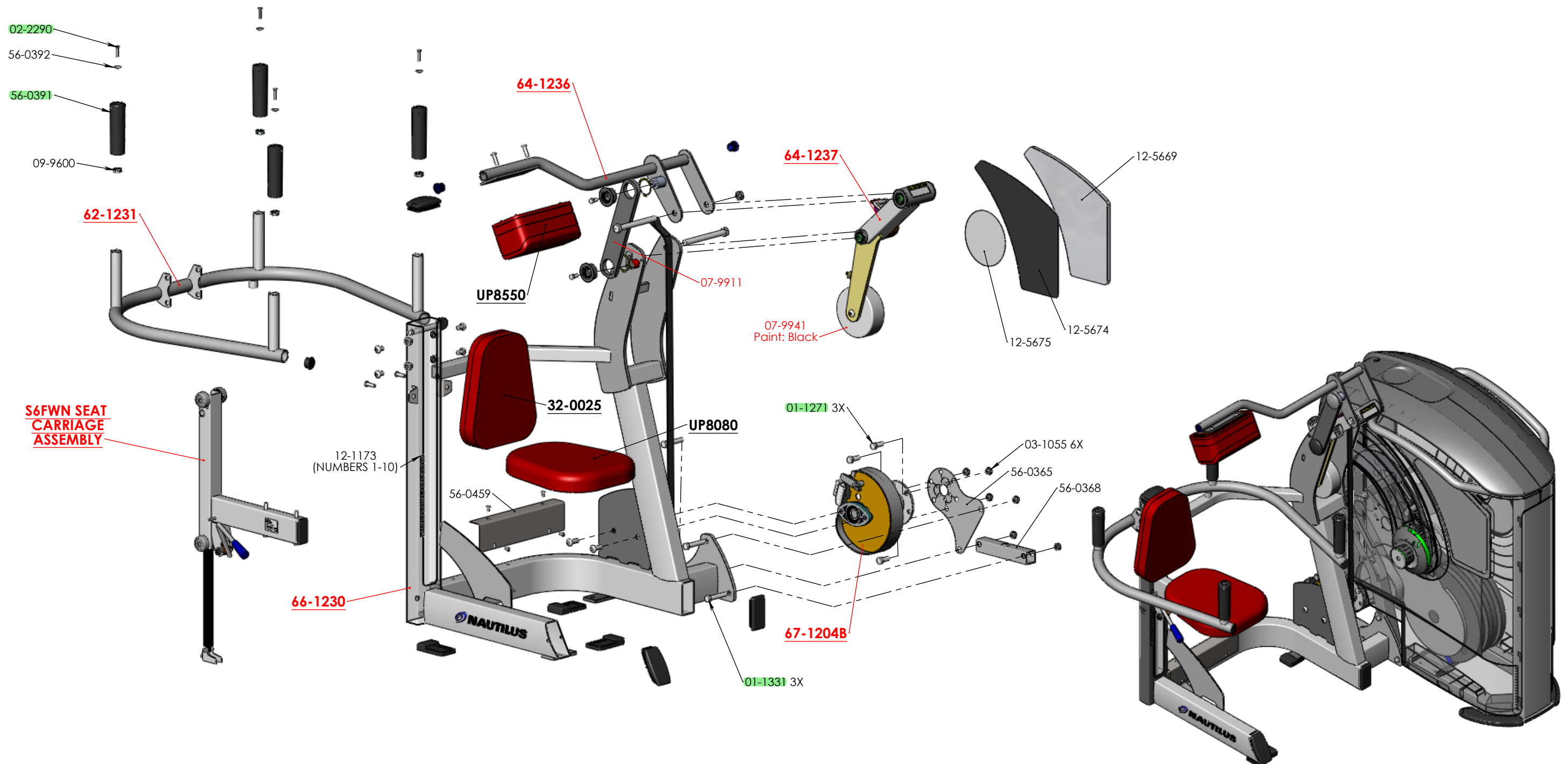


ITEM NO.	PART NUMBER	QTY.	DESCRIPTION	ITEM NO.	PART NUMBER	QTY.	DESCRIPTION
1	62-1231	1	HANDLEBAR S6FWN	50	09-3078	1	BLACK HOLE PLUG MP-1093
2	64-1236	1	MOVEMENT ARM PAD MOUNT S6FWN	51	07-4005	1	Efson PF1008
3	62-1206B	1	HANDLE SEAT RELEASE - LATP, MR, TP	52	09-2060	1	1 1/2 X 3 11 GA FRAME PLUG
4	65-1214	1	SEAT ROLLING CARRIAGE STRAIGHT	53	09-5901	2	CAP MOLDED 07-9607 BEARING
5	66-1230	1	SEAT FRAME S6FWN	54	09-4092	1	BUMPER
6	67-1204B	1	Jackshaft Weight Drive	55	56-0355	1	BRACKET SHOCK MOUNT S6LB02
7	64-1237	1	COUNTERWEIGHT MOVEMENT ARM S6FWN	56	56-0350	1	SPACER BOLT SLEEVE
8	32-0025	1	UPH. PAD CHEST	57	56-0174	1	Clamp mount
9	UP8550	1	P3FWN HEAD PAD	58	56-0181	1	CLAMP BELT ADJUSTABLE
10	UP8080	1	TAPERED SEAT PAD	59	56-0217	2	Clamp Belt ONE
11	02-4134	4	1/4 -20 UNC x 1/2" PAN HEAD PHILLIPS SCREW SELF THREADING	60	07-9941	1	COUNTERWEIGHT
12	01-4064	1	BUTTON HEAD SOCKET CAP SCREW 3/8-16 X 2" BRIGHT ZINC	61	07-9775	1	BEARING SLEEVE
13	01-4081	5	BUTTON HEAD SOCKET CAP SCREW 1/2 -13 UNC x 3/4" BRIGHT ZINC	62	56-0549	1	SLEEVE PIVOT
14	09-9600	4	TUBE INSERT 1.010 ID PN3045-4-1	63	07-9911	1	LINKAGE LB
15	02-2290	4	1/4 -20 UNC x 1 1/4" LENGTH FLAT HEAD SOCKET CAP SCREW SS	64	56-0034	1	CLAMP BELT 1"
16	01-2286	1	5/8-11 UNC x 6 3/8 Bolt - Cutoff	65	56-0365	1	Jack Shaft Support
17	01-4062	4	BUTTON HEAD SOCKET CAP SCREW 3/8-16 x 1 1/4" BRIGHT ZINC	66	56-0368	1	Caster Mount
18	02-9074	1	3/8 -16 UNC x 4 1/4 Bolt	67	06-8162	2	SNAP RING 3/4" EXTERNAL
19	01-4030	2	1/4 -20 UNC x 1 Wiz Lock Bolt	68	04-5207	1	WASHER, FLAT, 1/2" SAE
20	01-4063	1	BUTTON HEAD SOCKET CAP SCREW 3/8 -16 x 2 1/2" BRIGHT ZINC	69	56-0412	1	PIN SHOCK RELEASE 3D BENT 3/16 DIA
21	02-4147	1	BUTTON HEAD SOCKET CAP SCREW, 1/2 -20 x 2" UNF BRIGHT ZINC	70	56-0411	1	PIN RETAINING 3/4 DIA
22	08-2053	1	Movement Arm Hub Spacer	71	05-5130	2	IGUS BEARING 1/2 ID X 1/4 LONG
23	07-5064	6	6203 RADIAL BEARING	72	56-0345	1	Link Seat
24	07-9771	4	IDLER PULLEY SPACER	73	04-6000	4	Washer Wave
25	07-9607	4	MOLDED BEARING CUP	74	56-0341	4	ROLLER SEAT 2" X 4" PROFILE TUBE
26	06-8166	2	SNAP RING EXTERNAL	75	56-0351	1	CLEVIS PIN, 5/16" X 1 1/4"
27	01-1548	2	3/8 -16 UNC x 3/4 Wiz Lock Bolt	76	01-3060	1	SHSS 1/2" x 1 1/2"
28	03-1055	10	1/2" Lock Nut	77	07-8135	1	5/16" RUE RING COTTER - RUE-10
29	03-1067	1	5/8" Lock Nut	78	10-3049	1	SPRING GAS LOCKING
30	03-1035	3	3/8" Lock Nut	79	03-5106	1	10mm Jam Nut
31	01-4035	2	1/4 -20 UNC x 1 1/4 Wiz Lock Bolt	80	09-1224	1	GRIP ASSEMBLY HYD SEAT ADJUSTMENT
32	01-4075	2	BUTTON HEAD SOCKET CAP SCREW, 1/2 -13 x 1 1/4" BRIGHT ZINC	81	56-0342	4	Spacer Shaft 17mm
33	01-4080	1	BUTTON HEAD SOCKET CAP SCREW 1/2 -13 x 2 1/4" BRIGHT ZINC	82	12-1026	1	KEEP HANDS AWAY
34	01-2288	1	5/8-11 UNC x 6 Bolt- zinc	83	19-1291	1	SERIAL NO. DECAL
35	02-9071	2	3/8 -16 UNC x 3 3/4 Bolt	84	12-1173	1	SEAT ADJUSTMENT DECAL 1-11
36	01-1271	3	1/2 -13 UNC x 1 1/4 Bolt	85	12-5674	1	S6 INSTRUCTION PLACARD S6FWN
37	01-1331	3	1/2 -13 UNC x 2 3/4 Bolt	86	12-5675	1	S6FWN Lenticular Disc
38	18-0006 (67")	1	MECTROL BELT 1" (67")	87	12-5669	1	S6 INSTRUCTION PLACARD FOAM
39	56-0459	1	Foot Guard S6FWN				
40	56-0391	4	GRIP MOLDED LARGE 1 1/4" I.D.				
41	56-0392	4	CAP END DECORATIVE				
42	09-3050	2	HOLE PLUG 1 1/2 DIA				
43	09-3084	2	HOLE PLUG 1.25 OD X 1.0 ID X .75				
44	09-3055	1	2 X 4 11 GA FRAME PLUG				
45	56-0348	1	Plug Frame 4" Angled 60 DEG				
46	91-999	1	Paint (1.5 lbs)				
47	12-5619	1	TRANSFER DECAL NAUTILUS X-SMALL BLACK				
48	09-1210	1	Plug Frame 2 X 4 "ONE"				
49	09-5035	3	MOLDED FOOTPAD				



S6FWN
ONE Line
Four-Way Neck
BOM

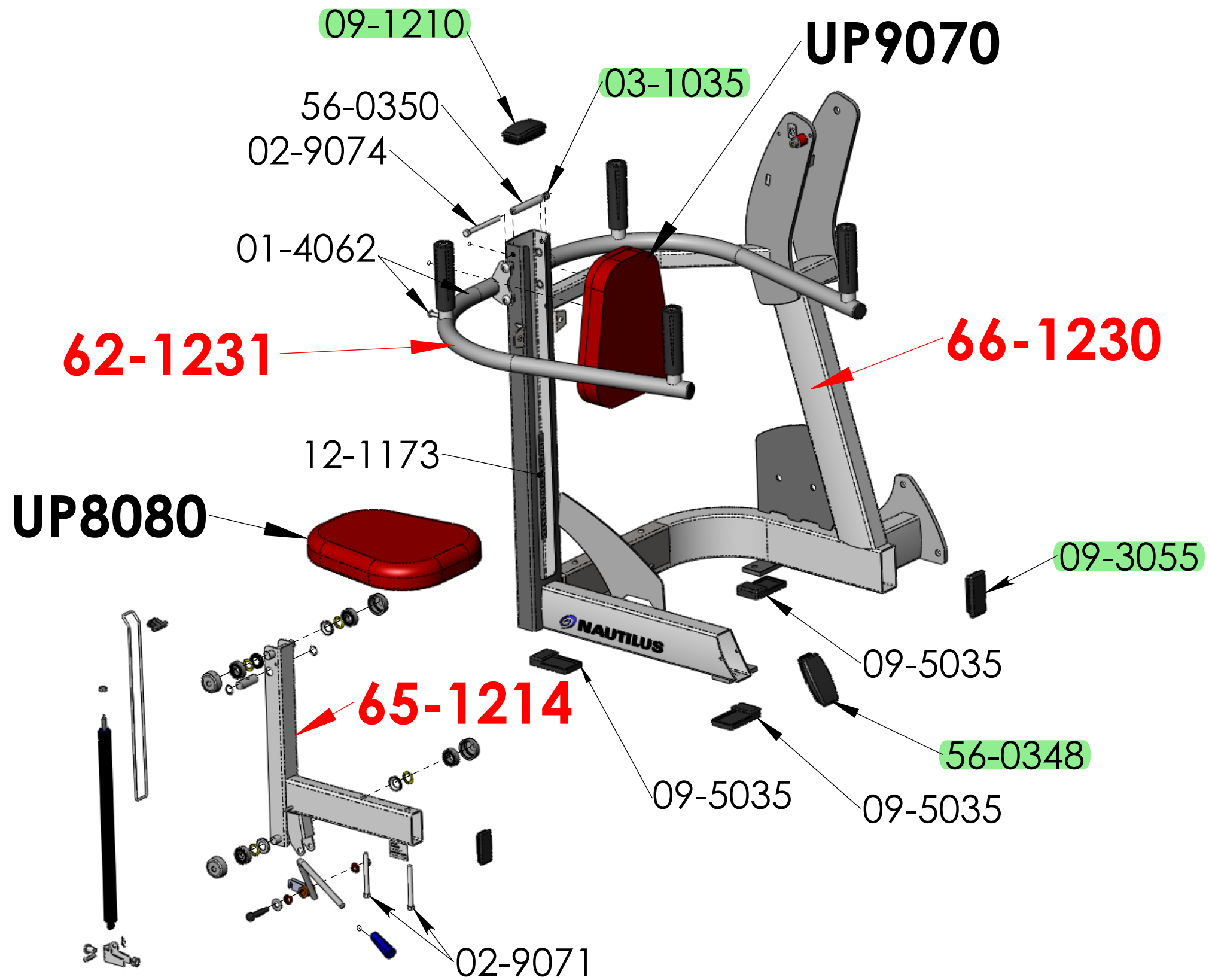
Last Rev Date: 9/9/10



Last Rev Date: 6/14/11

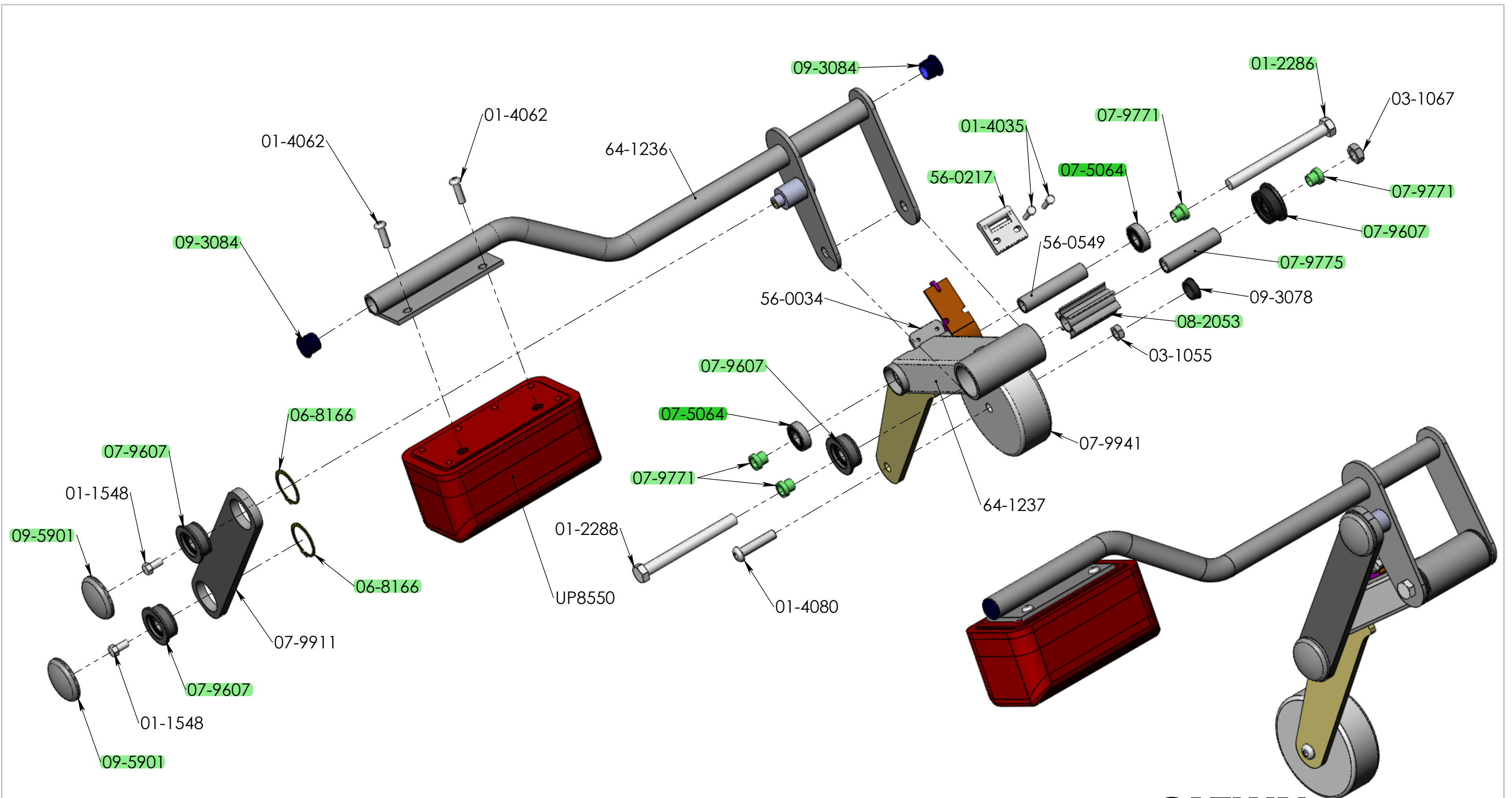
RED TEXT: PAINTED PARTS
 BLUE TEXT: ZINC PARTS

**S6FWN
 "ONE"
 FOUR WAY NECK
 Parts Diagram**



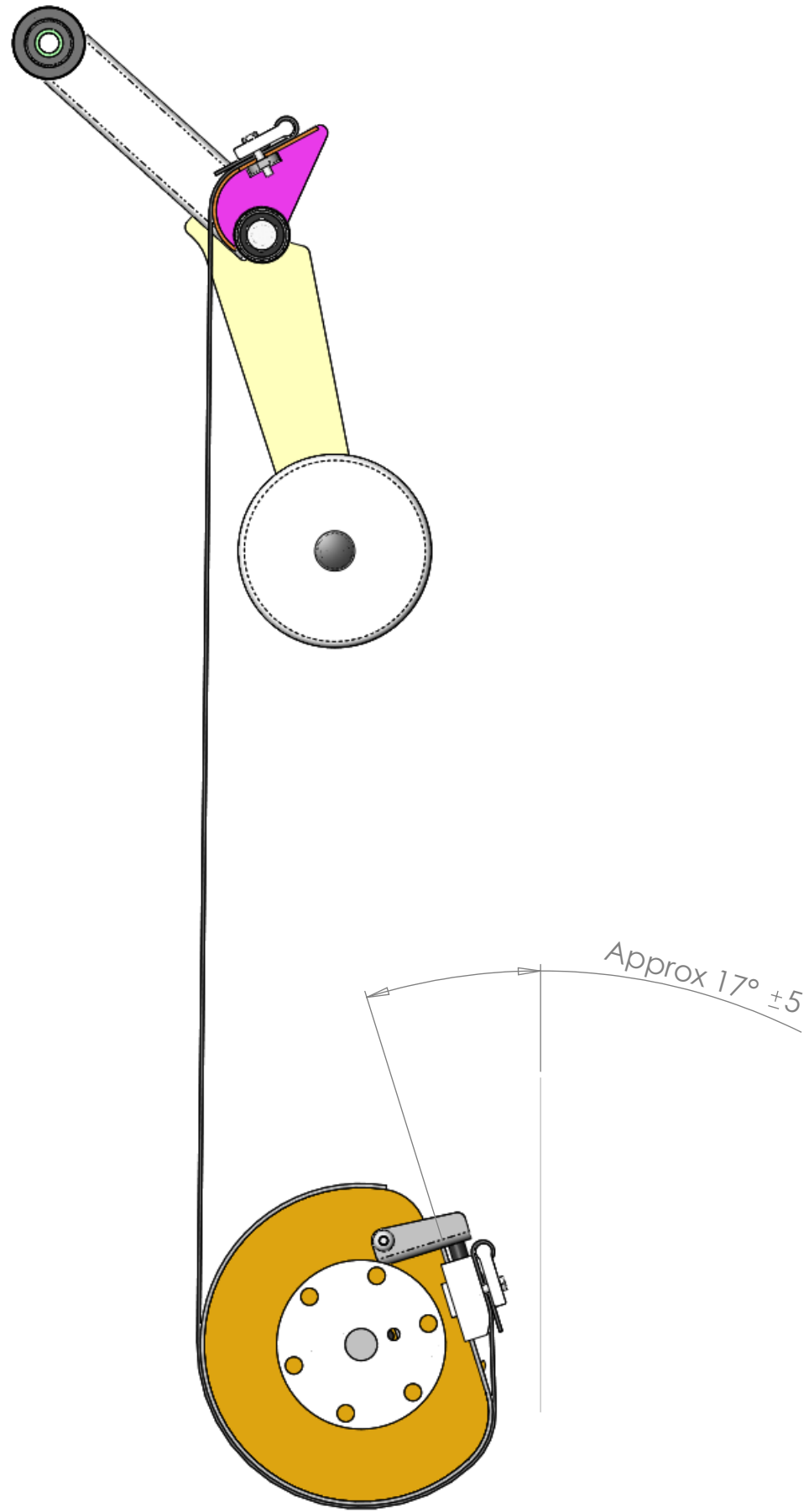
Last Rev Date: 9/9/10

S6FWN
ONE Line
Four-Way Neck
Parts Diagram



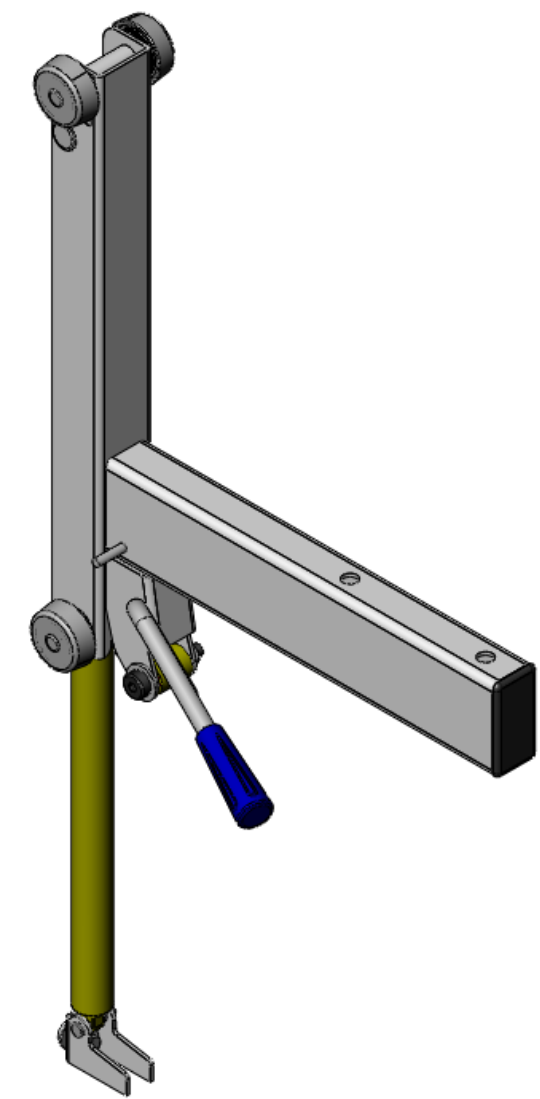
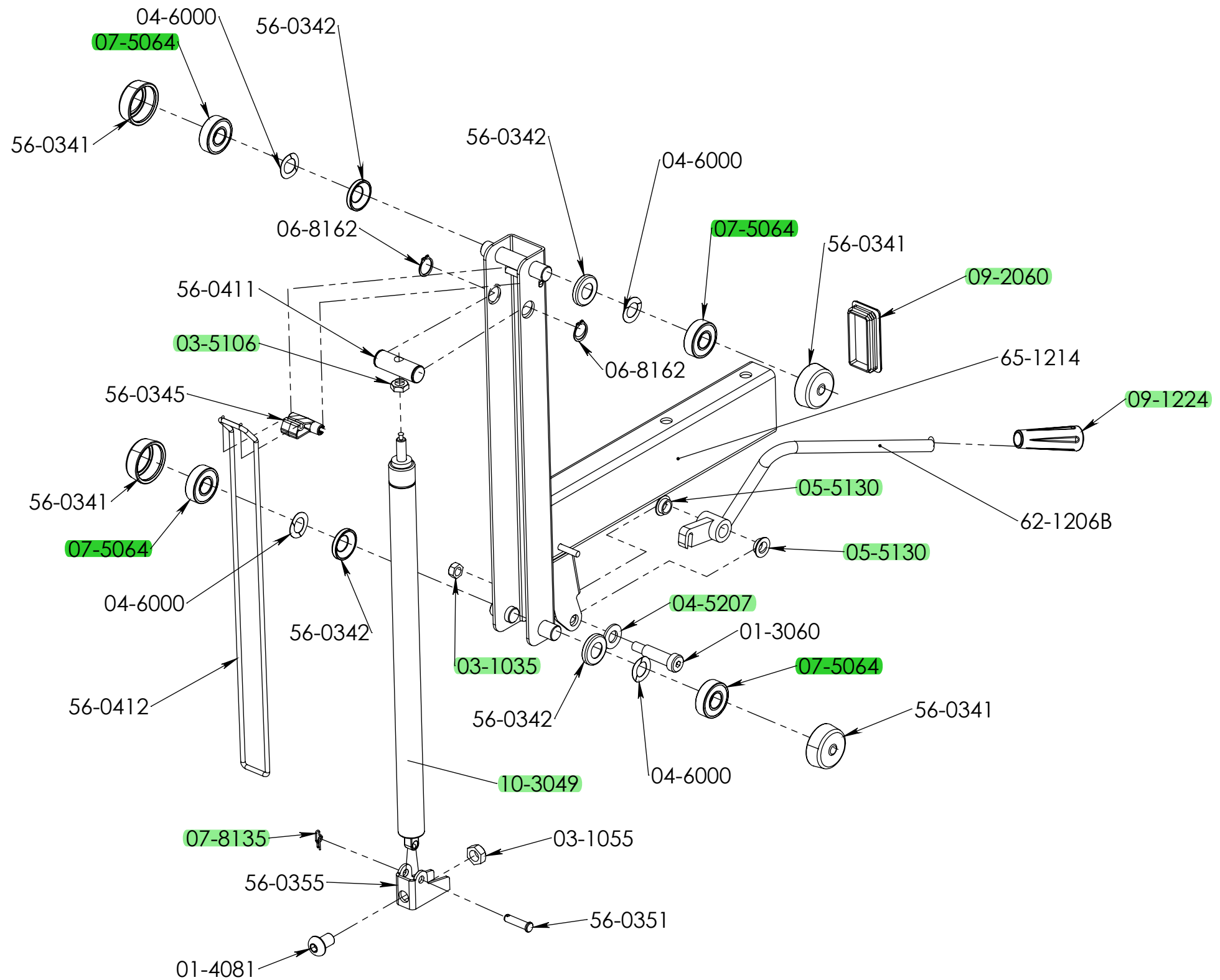
S6FWN
"ONE Line"
FOUR-WAY NECK
Parts Diagram

Last Rev Date: 9/9/10



Last Rev Date: 9/9/10

S6FWN WEIGHT DRIVE
ONE Line
Four-Way Neck
Parts Diagram



S6 "ONE" Series
S6FWN SEAT CARRIAGE
Parts Diagram

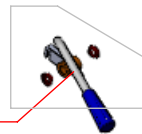
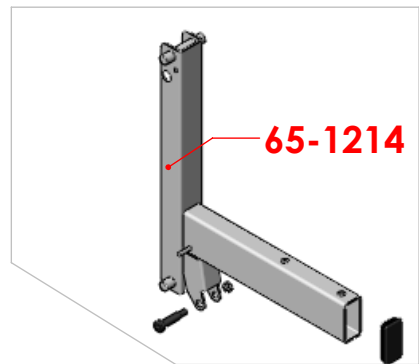
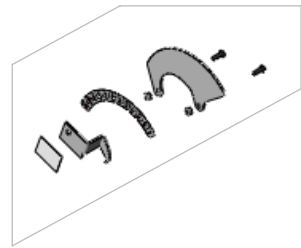
Last Rev Date: 09/07/10



Red: PAINTED ITEMS
Blue: KITS

1. All labeled components are to be assembled before shipment unless otherwise noted.
2. All bearings are to be pressed in with force applied to outer ring only.
3. All hardware to be torqued to specs listed in chart below.
4. Special notes if any are shown below.

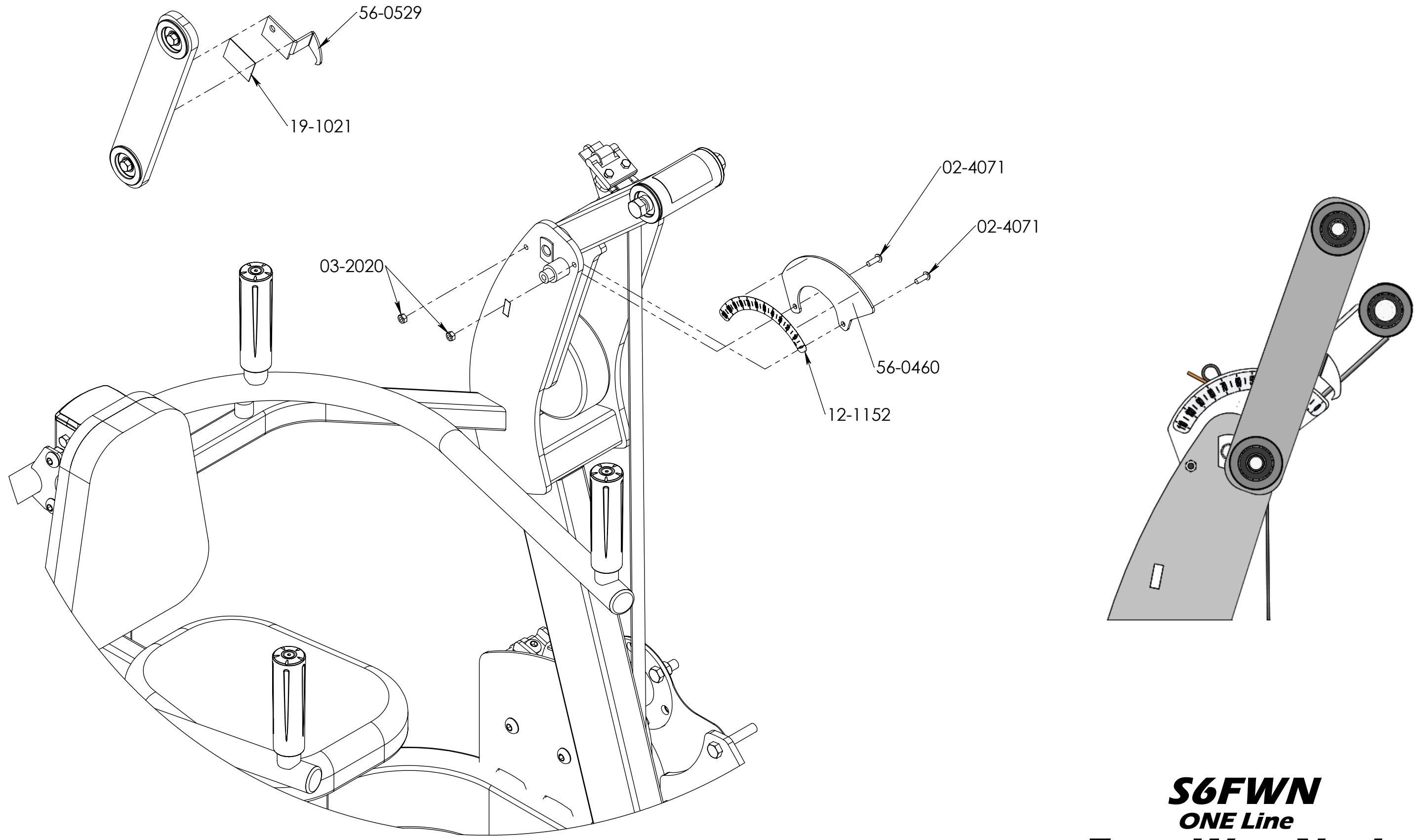
REVISIONS				
ECO	REVISION	REV DESCRIPTION	APPROVED	DATE



62-1206B

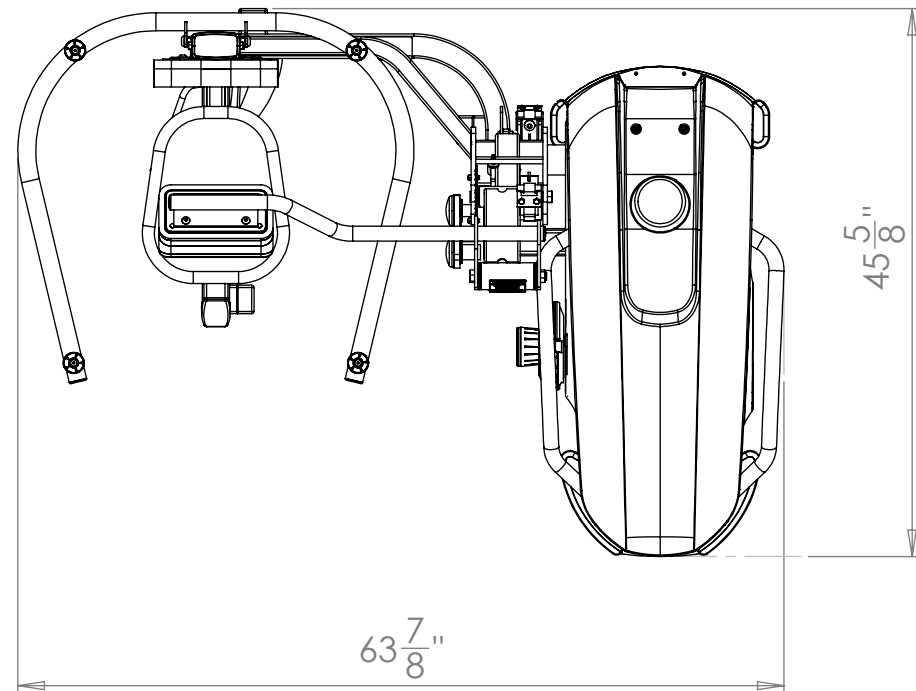
Bolt Torque Specifications		
Size	Grade 5	Grade 8
	Torque (ft-lbs)	Torque (ft-lbs)
1/4-20	8	12
1/4-28	10	14
5/16-18	17	25
3/8-16	30	45
7/16-14	50	70
1/2-13	75	110
1/2-20	90	120
5/8-11	150	220
5/8-18	180	240

S6FWN



Last Rev Date: 9/9/10

S6FWN
ONE Line
Four-Way Neck
Parts Diagram



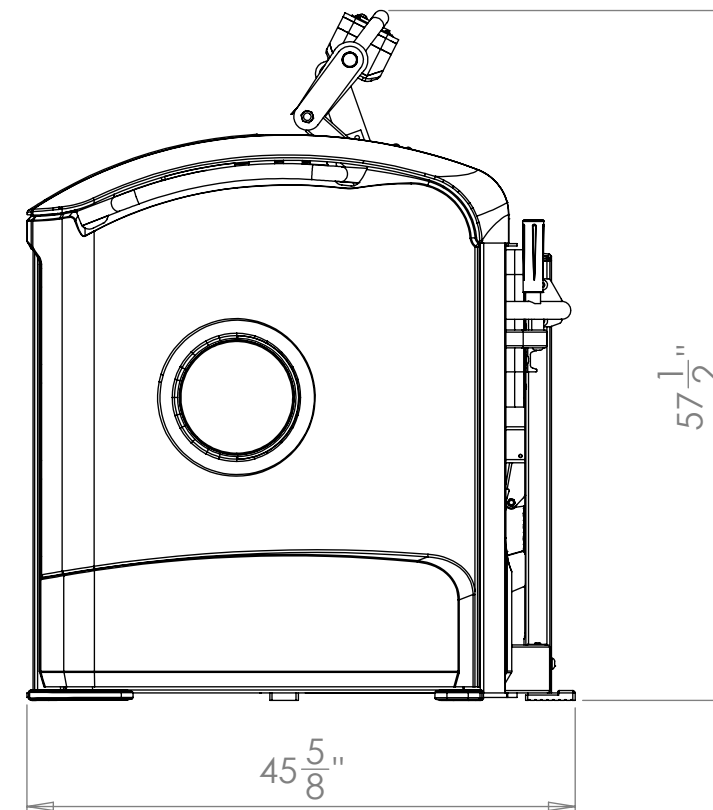
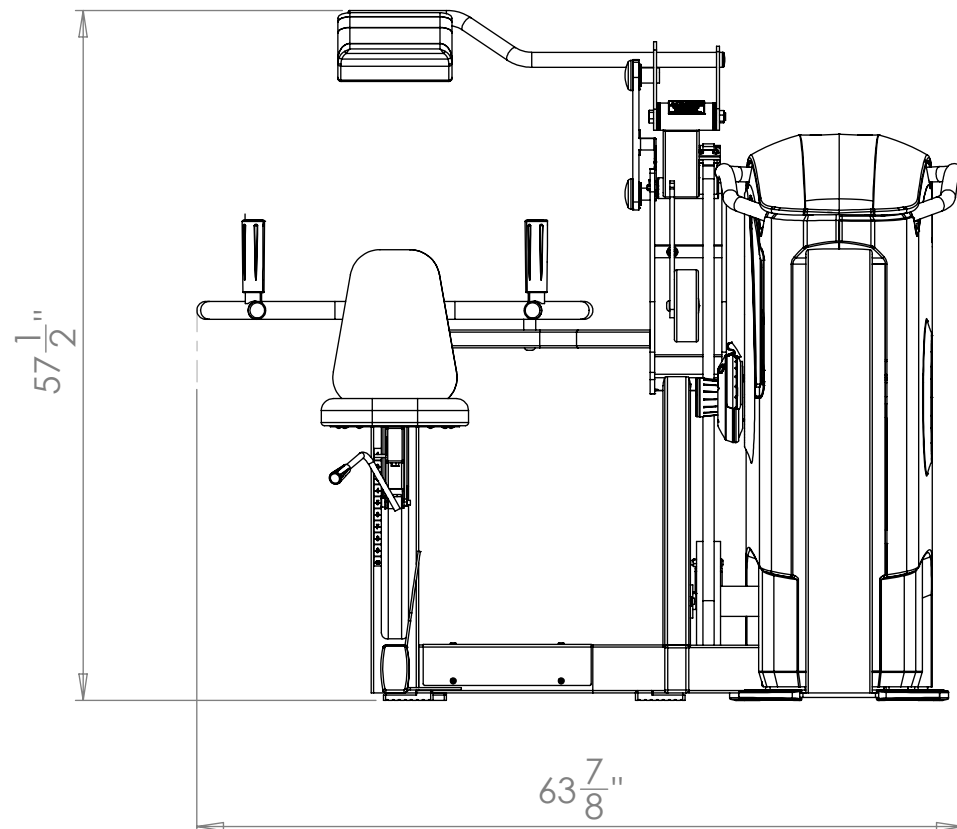
Dimensions:

Width - 63 $\frac{7}{8}$ "

Depth - 45 $\frac{5}{8}$ "

Height - 57 $\frac{1}{2}$ "

Weight - 560 lbs



Last Rev Date: 9/10/10

S6FWN
ONE Line
Four-Way Neck
Parts Diagram