

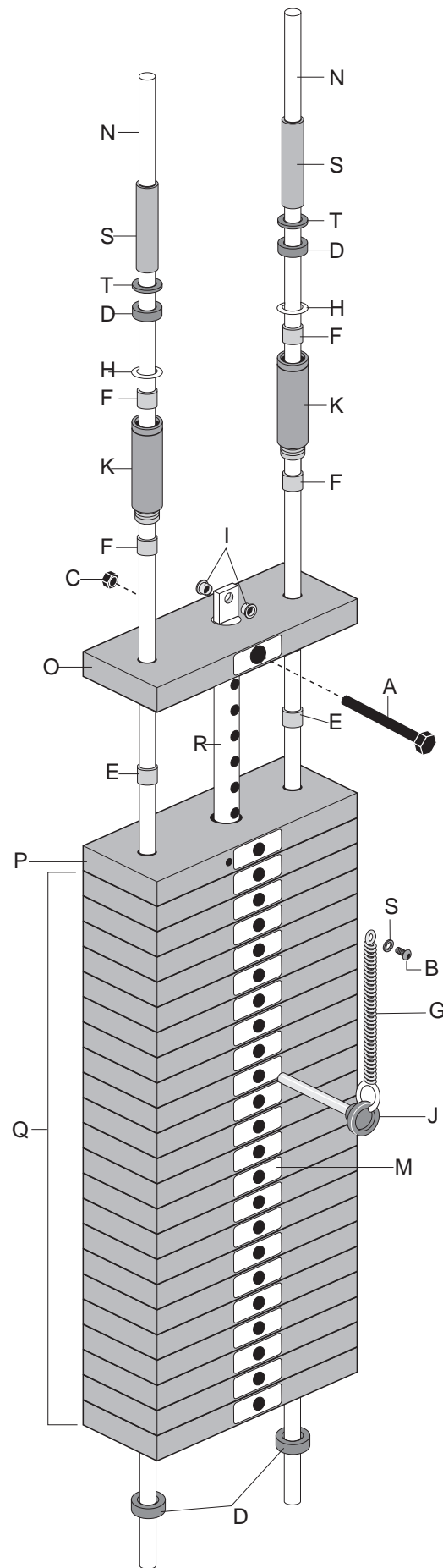
24 WEIGHT STACK

STANDARD

REF #	PART #	200 lb. WEIGHT STACK (20-250)
A	01-0010	BOLT HH2 7/16-14 X 4 1/2 BLACK
B	02-9190	1/4-20 X 3/4 TROX PAN HD. SCREW
C	03-1045	NUT NTE 7/16 BLACK
D	04-5070	RUBBER WEIGHT STACK WASHER
E	05-4020	BOTTOM WEIGHT BUSHING
F	05-4055	TOP WEIGHT BUSHING
G	06-7064	COIL SUPER 6"
H	06-8254	SNAP RING 1"
I	07-4000	NYLINER PLASTIC BUSHING
J	07-8296	PIN WEIGHT SELECTOR W/MAGNET 4"
K	07-9268	TOP WEIGHT SLEEVE
L	12-1024	DECAL WARNING 3"
M	12-1282	WEIGHT STACK DECAL 20-310 lbs/kgs
N	17-1615	GUIDE RODS 74 13/16"
O	17-2204	1 X 4 X 9.330 TOP WEIGHT STEEL, 10 lbs.
P	17-2206	1 X 4 X 9.330 SECOND WEIGHT STEEL, 10 lbs.
Q	17-2203	1 X 4 X 9.330 BOTTOM WEIGHT STEEL, 10 lbs.
R	17-4115	WEIGHT STACK PIN 24 HOLE
S	08-1475	PVC PIPE 3/4 ID X 4" L.
T	04-5209	WASHER FLAT USS 3/4 ID
U	04-2015	1/4 -20 X 3/4 SAE FLAT WASHER



**USE CAUTION
WHILE WORKING
WITH WEIGHT STACK!**



NAUTILUS FREEWEIGHT PARTS DIAGRAM

CABLE CROSSOVER 19-5214

REVISED:
May 21, 2007

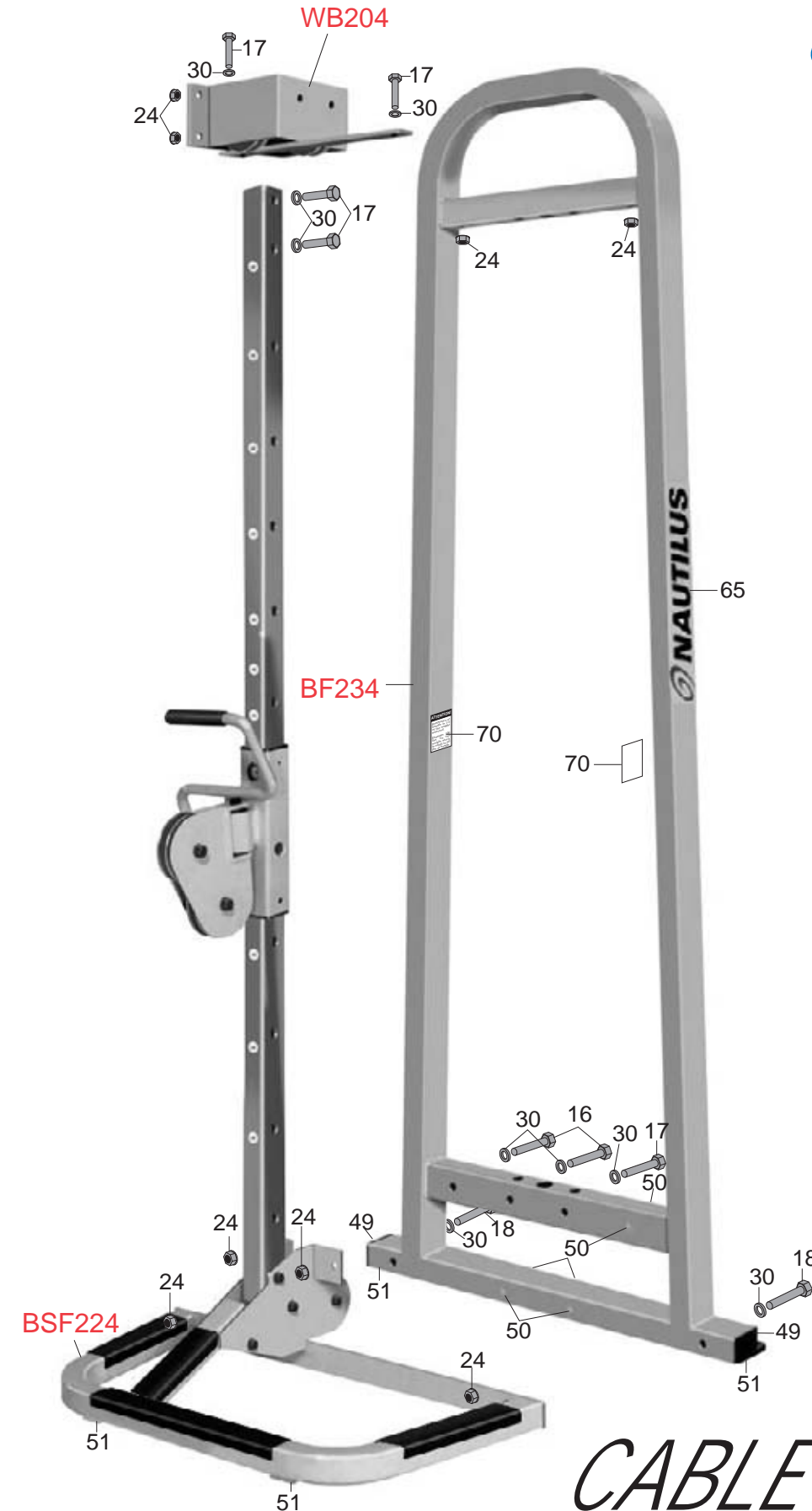
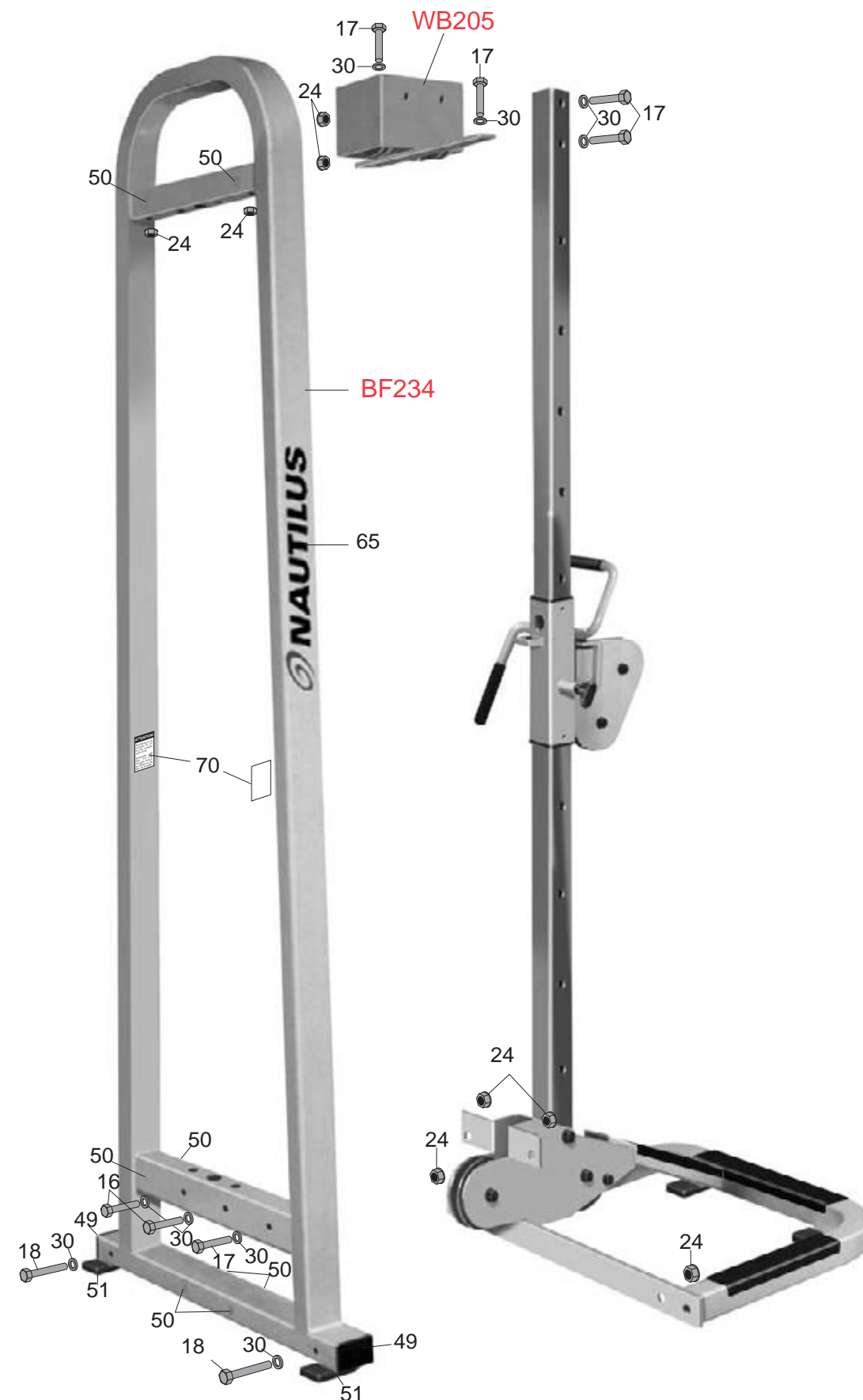
PARTS AND SERVICE u 709 Powerhouse Road u Independence, VA 24348
800-235-2233 • Fax: 276-773-2298



F2CC



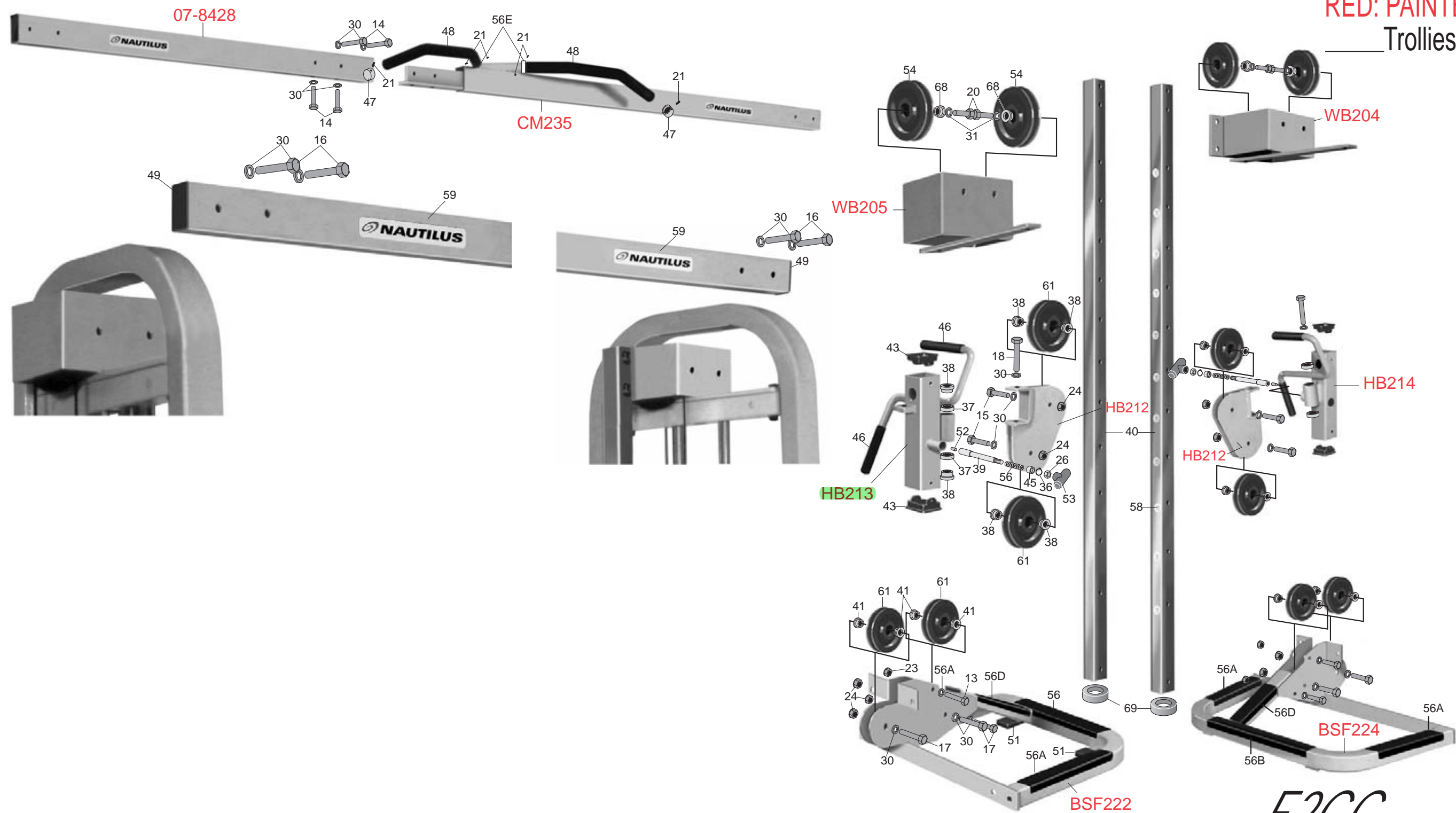
RED: PAINTED ITEMS
____ Trolleys / Machine



Last Rev Date: 05/21/07

F2CC
CABLE CROSSOVER
Nautilus Parts Diagram

RED: PAINTED ITEMS
 _____ Trolleys / Machine



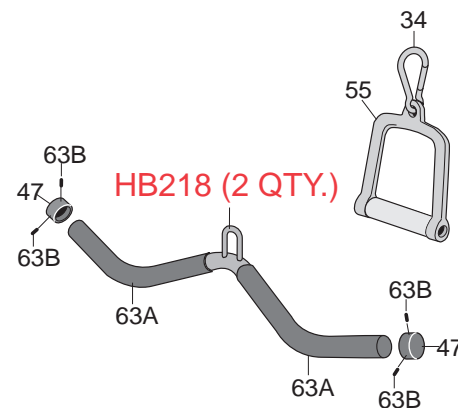
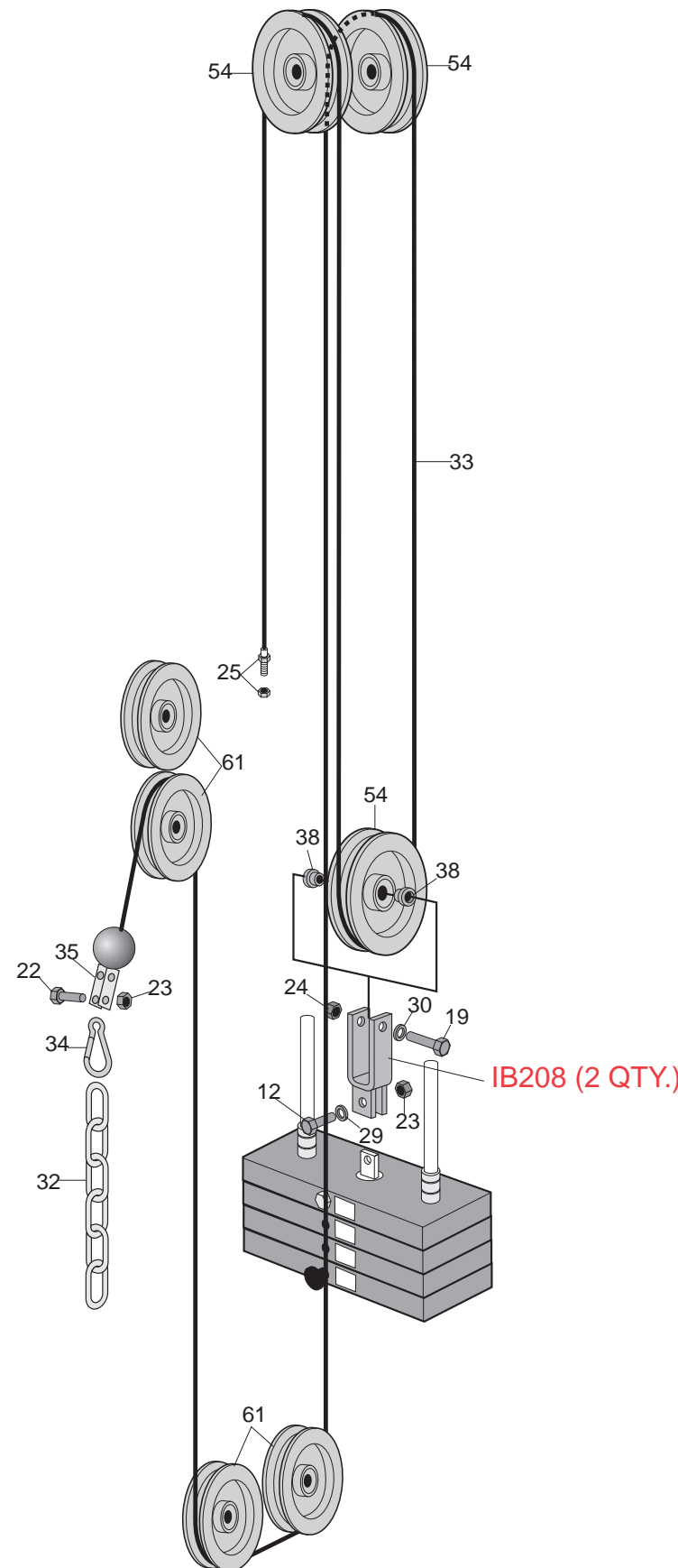
Last Rev Date: 05/21/07

*F2CC
 CABLE CROSSOVER
 Nautilus Parts Diagram*

RED: PAINTED ITEMS
 _____ Trolleys / Machine

F2CC F2 CABLE CROSSOVER

Ref #	Part #	Description	Ref #	Part #	Description
1	BF234	MAIN SIDE FRAME	44	08-1475	PVC PIPE 3/4 ID X 4 LENGTH
2	BSF222	L LOWER CABLE CROSSOVER BASE FRAME	45	08-5186	SPACER
3	BSF224	R LOWER CABLE CROSSOVER BASE FRAME	46	09-1010	GRIP FOAM 3/4 I.D. X 8 LENGTH
4	CM235	UPPER BOOM CROSSMEMBER	47	09-9565	GRIP CAP 1" TUBE
5	HB212	SELF CENTERING SWIVEL ASSEMBLY	48	09-1059	GRIP 1 1/8 X 25" L.
6	HB213	L ADJUSTABLE SWIVEL SLIDE ASSEMBLY	49	09-2090	PLUG, FRAME, 2X3
7	HB214	R ADJUSTABLE SWIVEL SLIDE ASSEMBLY	50	09-3065	9/16 DIA HOLE PLUG WHITE
8	HB218	TRICEP PUSHDOWN WORK-OUT BAR	51	09-5035	MOLDED FOOTPADS
9	IB208	6 PULLEY TO WEIGHT PIN IDLER BRACKET	52	09-8146	SELECTOR PIN TIP
10	WB204	R UPPER WORKBOX SHEETMETAL ASSEMBLY	53	09-8135	YELLOW T-KNOB
11	WB205	L UPPER WORKBOX SHEETMETAL ASSEMBLY	54	09-8322	PULLEY 6" EFSON MOLDED NYLON RA 6001
12	01-1121	BOLT HH5 3/8 X 2	55	09-8350	HANDLE SWIVEL STIRUP TYPE
13	01-1151	BOLT HH5 3/8 X 2 3/4	56	10-2031	SPRING COMP. .490 OD X 2.375" L
14	01-1261	BOLT HH5 1/2 X 1	56A	09-9175	CHANNEL PVC 2 1/2 X 10"
15	01-1282	BOLT HH5 1/2 X 1 1/2	56B	09-9178	CHANNEL PVC 2 1/2 X 17 1/2" (LEFT NOTCH)
16	01-1321	BOLT HH5 1/2 X 2 1/2	56C	09-9179	CHANNEL PVC 2 1/2 X 17 1/2" (RIGHT NOTCH)
17	01-1331	BOLT HH5 1/2 X 2 3/4	56D	09-9181	CHANNEL PVC 2 1/2 X 7 1/2"
18	01-1564	BOLT HH5 1/2 X 4 1/2	56E	09-9540	RING GRIP 1 1/8" DIA "NEW STYLE"
19	01-1561	BOLT HH5 1/2 X 2	57	12-1026	KEEP HANDS AWAY DECAL
20	01-2180	BOLT HH5 5/8 X 1 1/2	58	12-1048	MEDICAL DECALS 1 thru 14
21	02-3055	SCREW SET 1/4-28 X 1/4	59	12-5611	NAUTILUS NAMEPLATE 1 1/2 x 8 1/2 L
22	02-9220	BOLT HH5 3/8 X 1 1/4	60	19-5214	PARTS MANUAL F2CC Cable Crossover
23	03-1035	3/8-16 NUT FLANGE BLACK	61	45-1042	PULLEY 3 1/2" EFSON MOLDED CABLE RA 3501
24	03-1055	1/2-13 FLANGE NUT BLACK	62	48-1095	SAFETY WALK 3" WIDE (BLACK)
25	03-4142	NUT JAM 5/16 BLACK	63	91-999	PAINT POWDER
26	03-5010	NUT NTE 5/16 BLACK	63A	09-1106	GRIP.OPEN END SANTOPRENE .938 ID X 9" L.
27	04-5070	WEIGHT STACK BUMPER 3/4 I.D. X 1/2 LENGTH	63B	02-3055	SET SCREW 1/4-28 X 1/4
28	04-5209	WASHER FLAT U.S.S. 3/4 ID	IN02		FREWEIGHT INSPECTION KIT
29	04-5213	3/8 INT LOCK WASHER BLACK	64	12-1380	INSPECTION STICKER DECAL
30	04-5214	1/2 INT LOCK WASHER BLACK	65	12-5600	NAUTILUS NAMEPLATE
31	04-5215	5/8 INT LOCK WASHER BLACK	66	19-1291	DECAL SERIAL # BAR CODE
32	06-2140	SAFETY CHAIN 6 LINKS	67	40-7167	BAG 50 X 46 X 86 X .002 THICK
33	06-4063	CABLE 1/8 WIRE DIA X 298 1/2 L (CROSSOVER KIT)	68	07-8341	ALUM.SPACER .75 L X .627 ID X .515 SHOULDER
34	06-5020	SAFETY HOOK SPRING LOADED	69	48-1045	RUBBER WASHER
35	06-7080	STRAP.FORK CABLE #SP4-3-60 (made from 06-7055)	70	12-1156	DECAL "ATTENTION: 1/2 WEIGHT
36	06-8258	INTERNAL SNAP RING 5/8 , N5000-62			
37	07-5064	6005 SINGLE ROW BALL BEARING			
38	07-5568	ALUM SPACER .485 L X .516 I.D X .235 SHOLDER			
39	07-8281	PIN SELECTOR 1/2 DIA X .381 L.			
40	07-8367	CHROME PLATED 2 X 2 TUBING FOR SLIDE POSITION			
41	07-8368	ALUM SPACER .985 L X .516 I.D X .75 SHOLDER			
42	07-8428	2 X 3 BOOM CROSSMEMBER			
43	07-9286	TUBE/PLUG FOR 2" SQ TUBE SLIDE			



Last Rev Date: 05/21/07

F2CC CABLE CROSSOVER Nautilus Parts Diagram