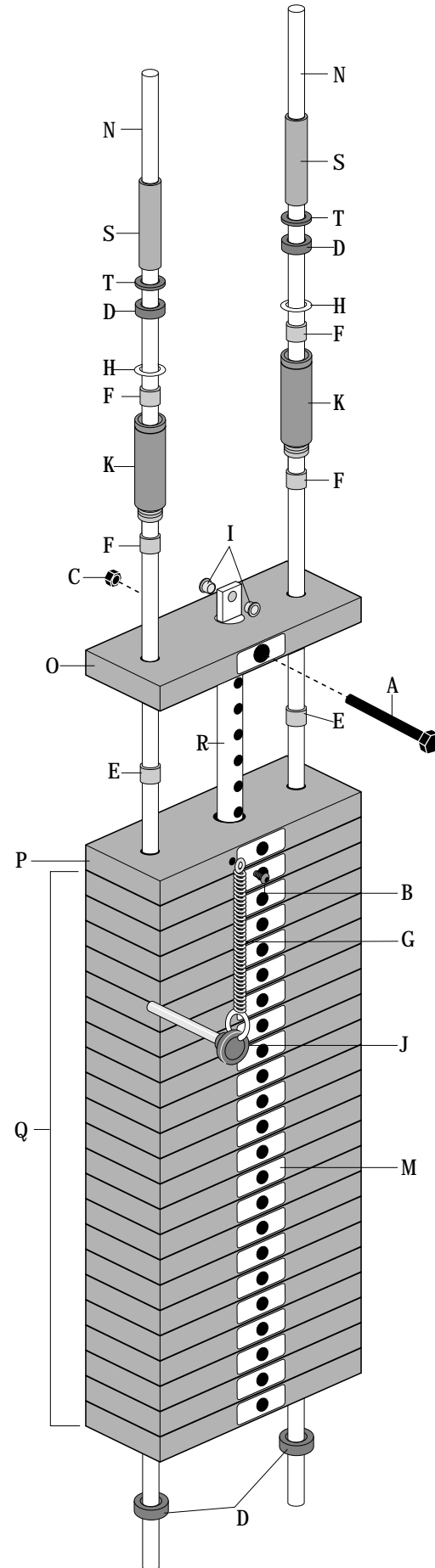


**24 WEIGHT STACK**

**STANDARD**

REF #	PART #	DESCRIPTION
A	01-0010	200 lb. WEIGHT STACK (20-250)
B	02-9190	BOLT HH2 7/16-14 X 4 1/2 BLACK
C	03-1045	1/4-20 X 3/4 FLANGE BUTTON HD. SCREW
D	04-5070	NUT NTE 7/16 BLACK
E	05-4020	RUBBER WEIGHT STACK WASHER
F	05-4055	BOTTOM WEIGHT BUSHING
G	06-7064	TOP WEIGHT BUSHING
H	06-8254	COIL SUPER 6"
I	06-8254	SNAP RING 1"
J	07-4000	NYLINER PLASTIC BUSHING
K	07-8296	PIN WEIGHT SELECTOR W/MAGNET 4" LENGTH
L	07-9268	TOP WEIGHT SLEEVE
M	12-1024	DECAL WARNING 3"
N	12-1282	WEIGHT STACK DECAL 20-310 lbs/kgs
O	17-1615	GUIDE RODS 74 13/16"
P	17-2204	1 X 4 X 9.330 TOP WEIGHT STEEL, 10 lbs.
Q	17-2206	1 X 4 X 9.330 SECOND WEIGHT STEEL, 10 lbs.
R	17-2203	1 X 4 X 9.330 BOTTOM WEIGHT STEEL, 10 lbs
S	17-4115	WEIGHT STACK PIN 24 HOLE
T	08-1475	PVC PIPE 3/4 ID X 4" L.
	04-5209	WASHER FLAT USS 3/4 ID



**USE CAUTION  
WHEN WORKING  
WITH WEIGHT  
STACK !**

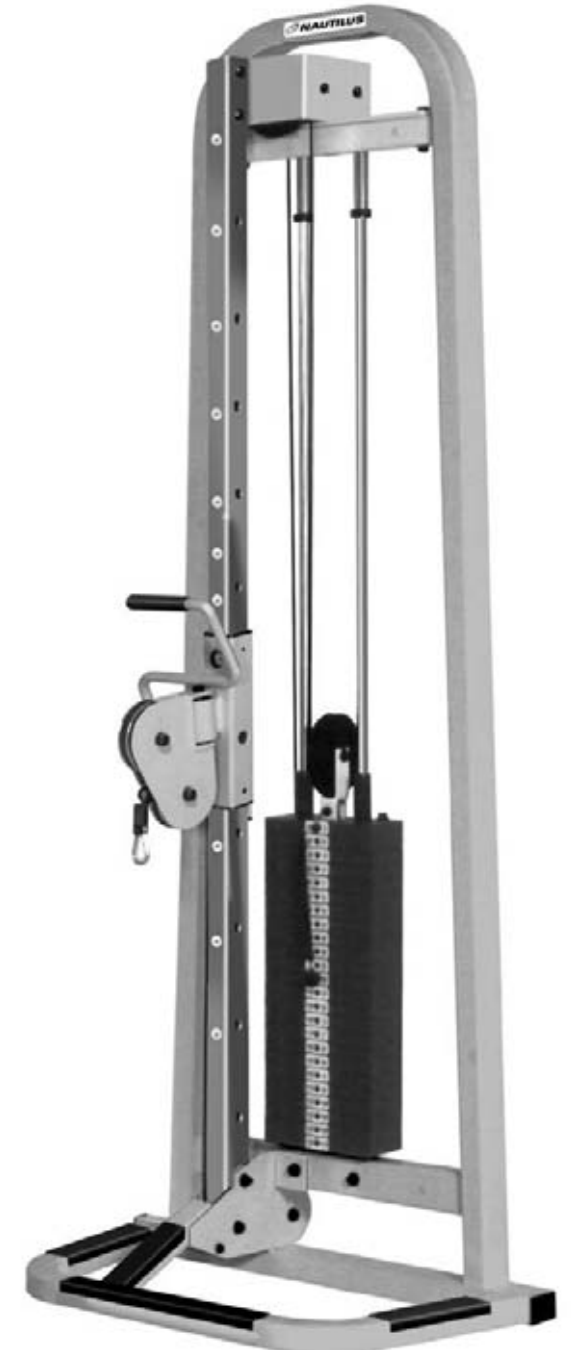
**ADJUSTABLE TOWER 19-5205**

REVISED:  
March 28, 2005

PARTS AND SERVICE ♦ 709 Powerhouse Road ♦ Independence, VA 24348  
800-235-2233 • Fax: 276-773-2298

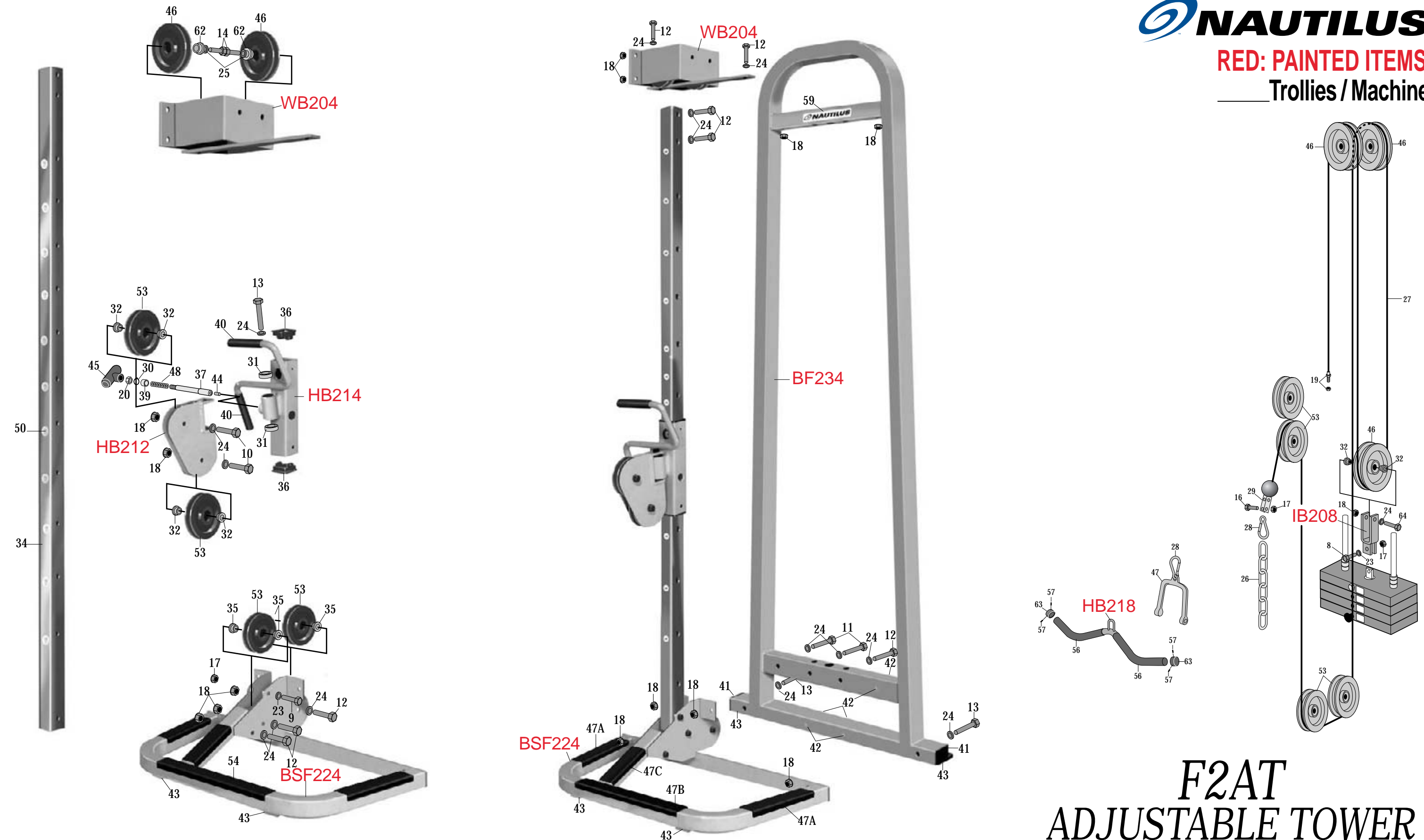
**F2AT F2 ADJUSTABLE TOWER**

Ref #	Part #	Description
1	BF234	MAIN SIDE FRAME
2	BSF224	R LOWER CABLE CROSSOVER BASE FRAME
3	HB212	SELF CENTERING SWIVEL ASSEMBLY
4	HB214	R ADJUSTABLE SWIVEL SLIDE ASSEMBLY
5	HB218	TRICEP PUSHDOWN WORK-OUT BAR
6	IB208	6" PULLEY TO WEIGHT PIN IDLER BRACKET
7	WB204	R UPPER WORKBOX SHEETMETAL ASSEMBLY
8	01-1121	BOLT HH5 3/8 X 2
9	01-1151	BOLT HH5 3/8 X 2 3/4
10	01-1282	BOLT HH5 1/2 X 1 1/2
11	01-1321	BOLT HH5 1/2 X 2 1/2
12	01-1331	BOLT HH5 1/2 X 2 3/4
13	01-1381	BOLT HH5 1/2 X 4
14	01-2180	BOLT HH5 5/8 X 1 1/2
15	02-4170	SCREW SET 10-32 X 1/8
16	02-9220	BOLT HH5 3/8 X 1 1/4
17	03-1035	3/8-16 NUT FLANGE BLACK
18	03-1055	1/2-13 FLANGE NUT BLACK
19	03-4142	NUT JAM 5/16 BLACK
20	03-5010	NUT NTE 5/16 BLACK
21	04-5070	WEIGHT STACK BUMPER 3/4 I.D. X 1/2 LENGTH
22	04-5209	WASHER FLAT U.S.S. 3/4 ID
23	04-5213	3/8 INT LOCK WASHER BLACK
24	04-5214	1/2 INT LOCK WASHER BLACK
25	04-5215	5/8 INT LOCK WASHER BLACK
26	06-2140	SAFETY CHAIN 6 LINKS
27	06-4063	CABLE 1/8 WIRE DIA X 298 1/2 L (CROSSOVER KIT)
28	06-5020	SAFETY HOOK SPRING LOADED
29	06-7080	STRAP FORK CABLE #SP4-3-60 (made from 06-7055)
30	06-8258	INTERNAL SNAP RING 5/8 , N5000-62
31	07-5065	6005 SINGLE ROW BALL BEARING
32	07-5568	ALUM SPACER .485 L X .516 ID X .235 SHOULDER
33	07-8341	ALUM SPACER .485 L X .516 ID X .438 SHOULDER
34	07-8367	CHROME PLATED 2 X 2 TUBING FOR SLIDE POSITION
35	07-8368	ALUM SPACER .985 L X .516 ID X .75 SHOULDER
36	07-9286	TUBE/PLUG FOR 2" SQ TUBE SLIDE
37	07-8281	PIN SELECTOR 1/2 DIA CR X 3.81" L.
38	08-1475	PVC PIPE 3/4 ID X 4 LENGTH
39	08-5185	SPACER
40	09-1010	GRIP FOAM 3/4 I.D. X 8 LENGTH
41	09-2090	PLUG, FRAME, 2X3
42	09-3065	9/16 DIA HOLE PLUG WHITE
43	09-5035	MOLDED FOOTPADS
44	09-8146	SELECTOR PIN TIP
45	09-8135	YELLOW T-KNOB
46	09-8322	PULLEY 6" EFSO MOLDDED NYLON RA 6001
47	09-8350	HANDLE SWIVEL STIRUP TYPE
47A	09-9175	STEP CHANNEL PVC 2 1/2 X 10"
47B	09-9178	STEP CHANNEL PVC 2 1/2 X 17 1/2"
47C	09-9181	STEP CHANNEL PVC 2 1/2 X 7 1/2"
48	10-2030	SPRING COMPRESSION .490 OD X 2.375" L
49	12-1026	KEEP HANDS AWAY DECAL
50	12-1048	MEDICAL DECALS 1 thru 14
51	12-5600	NEW NAUTILUS NAMEPLATE 1 1/2 x 8 1/2 L
52	19-5205	PARTS MANUAL F2CC Cable Crossover
53	45-1042	PULLEY 3 1/2" EFSO MOLDDED CABLE RA 3501
54	48-1095	SAFETY WALK 3" WIDE (BLACK)
55	91-999	PAINT POWDER
56	09-1106	1 1/8 X 12 GRIP OPEN END SANTOPRENE



Ref #	Part #	Description
57	02-3055	1/4-28 X 1/4 L. SET SCREW
58	12-1080	INSPECTION STICKER DECAL
59	12-5600	NAUTILUS NAMEPLATE 1 1/2 x 8 1/2 L
60	19-1291	DECAL SERIAL # BAR CODE
61	40-7167	BAG 50 X 46 X 86 X .002 THICK
62	07-8341	ALUM. SPACER .75 L X .627 ID X .515 SHOULDER
63	09-9565	GRIP CAP 1" TUBE
64	01-1561	BOLT HH5 1/2 X 2

**RED: PAINTED ITEMS**  
 \_\_\_\_\_ Trolleys / Machine



*Last Rev Date: 3/08/05*

**F2AT**  
**ADJUSTABLE TOWER**  
 Nautilus Parts Diagram