

This document contains information proprietary to Magnum Fitness Systems. It is submitted in confidence and is to be used solely for the purpose for which it is furnished. This document and such information is not to be reproduced, transmitted, or used in whole or part without written authorization.

TOLERANCES: + 0.000"
- 1/16"

UNLESS OTHERWISE SPECIFIED
DIMENSIONS ARE IN INCHES.

DRAWN BY:
R. Degenhardt

MAGNUM FITNESS SYSTEMS

2201 12th. Avenue
S. Milwaukee, WI, 53172

TITLE: 3008 - LOWER BACK

DATE:
12/13/04

PART NO.
xxx-xxx

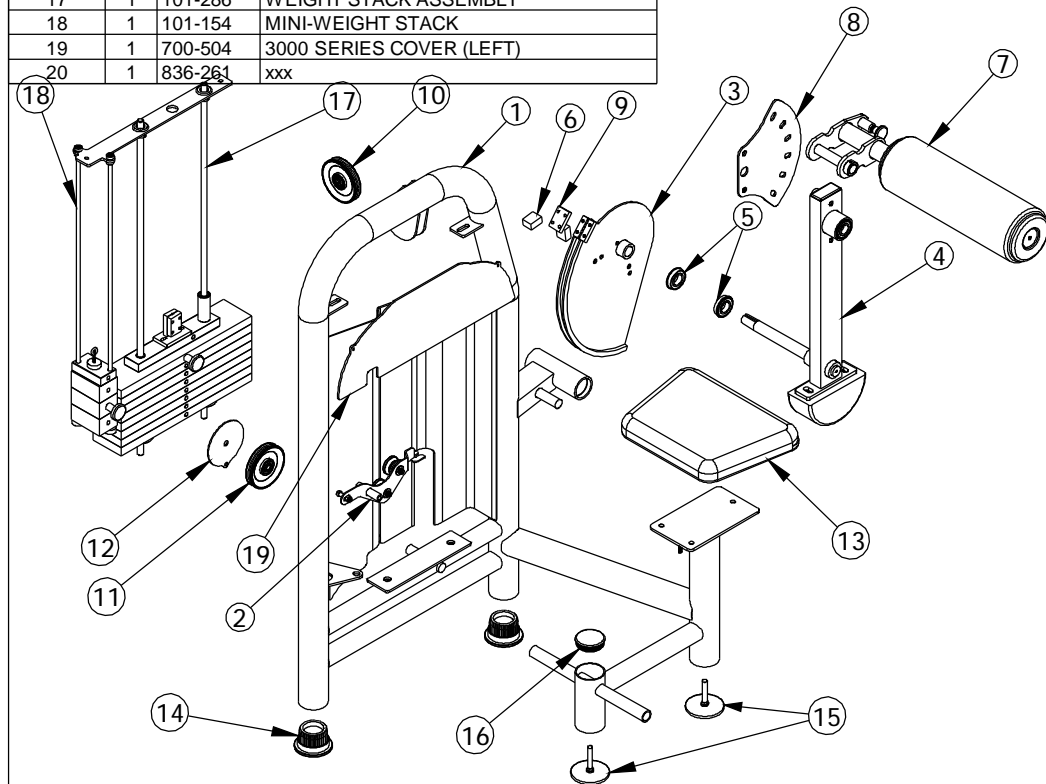
JOB NO.
XXXXXXXXX

REV:
1

FILE LOCATION: C:\Cad Drawings\Solid Works\

1 OF 2

ITEM NO.	QTY.	PART NO.	DESCRIPTION
1	1	101-298	3008 MAIN FRAME
2	1	101-278	3000 SERIES BANANA (LEFT)
3	1	101-300	CAM SUB-ASSEMBLY
4	1	101-309	3008 HAMMER
5	2	851-420	FLANGE BEARING - 1 1/8"
6	2	339-021	CHROMED STOP
7	1	101-307	3007 ROLLER ASSEMBLY
8	1	339-041	3/16" PLASMA - CHROMED
9	1	339-714	1/2" x 1 1/2" F.S. - 2 1/4"
10	1	853-303	4" CABLE PULLEY - 3/8" NARROW HOLE
11	1	853-300	4" CABLE PULLEY - 1/2" NARROW HOLE
12	1	501-125	1/8" PLASMA
13	1	900-046	UPHOLSTERY
14	2	850-056	3" FOOT
15	2	833-129	4" FOOT (LONG)
16	1	850-045	3" ROUND END CAP
17	1	101-286	WEIGHT STACK ASSEMBLY
18	1	101-154	MINI-WEIGHT STACK
19	1	700-504	3000 SERIES COVER (LEFT)
20	1	836-261	xxx



This document contains information proprietary to Magnum Fitness Systems. It is submitted in confidence and is to be used solely for the purpose for which it is furnished. This document and such information is not to be reproduced, transmitted, or used in whole or part without written authorization.

TOLERANCES: + 0.000"
- 1/16"

UNLESS OTHERWISE SPECIFIED
DIMENSIONS ARE IN INCHES.

MAGNUM FITNESS SYSTEMS
2201 12th. Avenue
S. Milwaukee, WI, 53172

TITLE: 3008 - LOWER BACK

DRAWN BY:
R. Degenhardt

DATE:
12/13/04

PART NO.
xxx-xxx

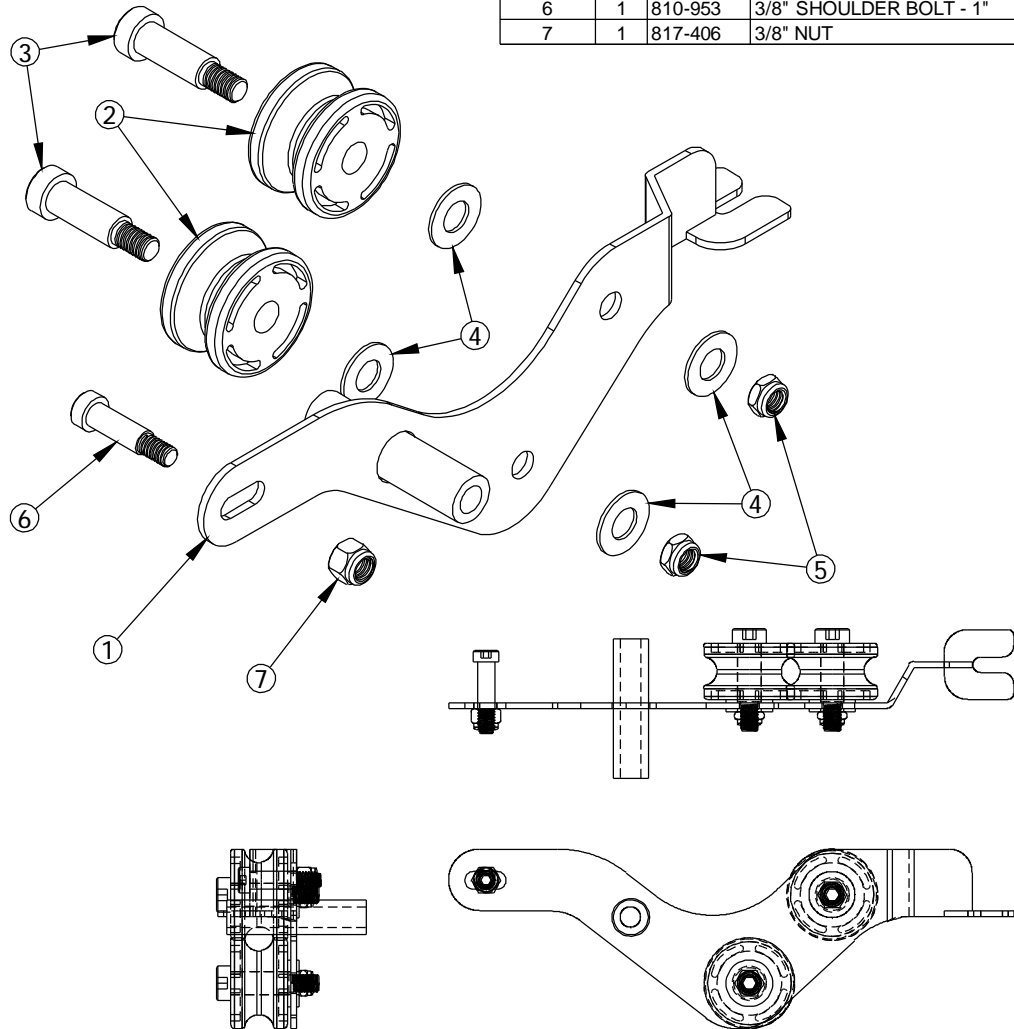
JOB NO.
XXXXXXXX

REV:
1

FILE LOCATION: C:\Cad Drawings\Solid Works\

2 OF 2

ITEM NO.	QTY.	PART NO.	DESCRIPTION
1	1	101-276	BANANA SUB-ASSEMBLY
2	2	853-314	ROLLER w/ BEARING
3	2	810-954	1/2" x 1 1/4" SHOULDER BOLT
4	4	818-008	1/2" FLAT WASHER
5	2	817-306	3/8"-16 JAM NUT
6	1	810-953	3/8" SHOULDER BOLT - 1"
7	1	817-406	3/8" NUT



This document contains information proprietary to Magnum Fitness Systems. It is submitted in confidence and is to be used solely for the purpose for which it is furnished. This document and such information is not to be reproduced, transmitted, or used in whole or part without written authorization.

TOLERANCES: + 0.000"
- 1/16"

UNLESS OTHERWISE SPECIFIED
DIMENSIONS ARE IN INCHES.

MAGNUM FITNESS SYSTEMS
2201 12th. Avenue
S. Milwaukee, WI, 53172

TITLE: 3000 SERIES BANANA (LEFT)

DRAWN BY:
RAD

DATE:
11/05/04

PART NO.
101-278

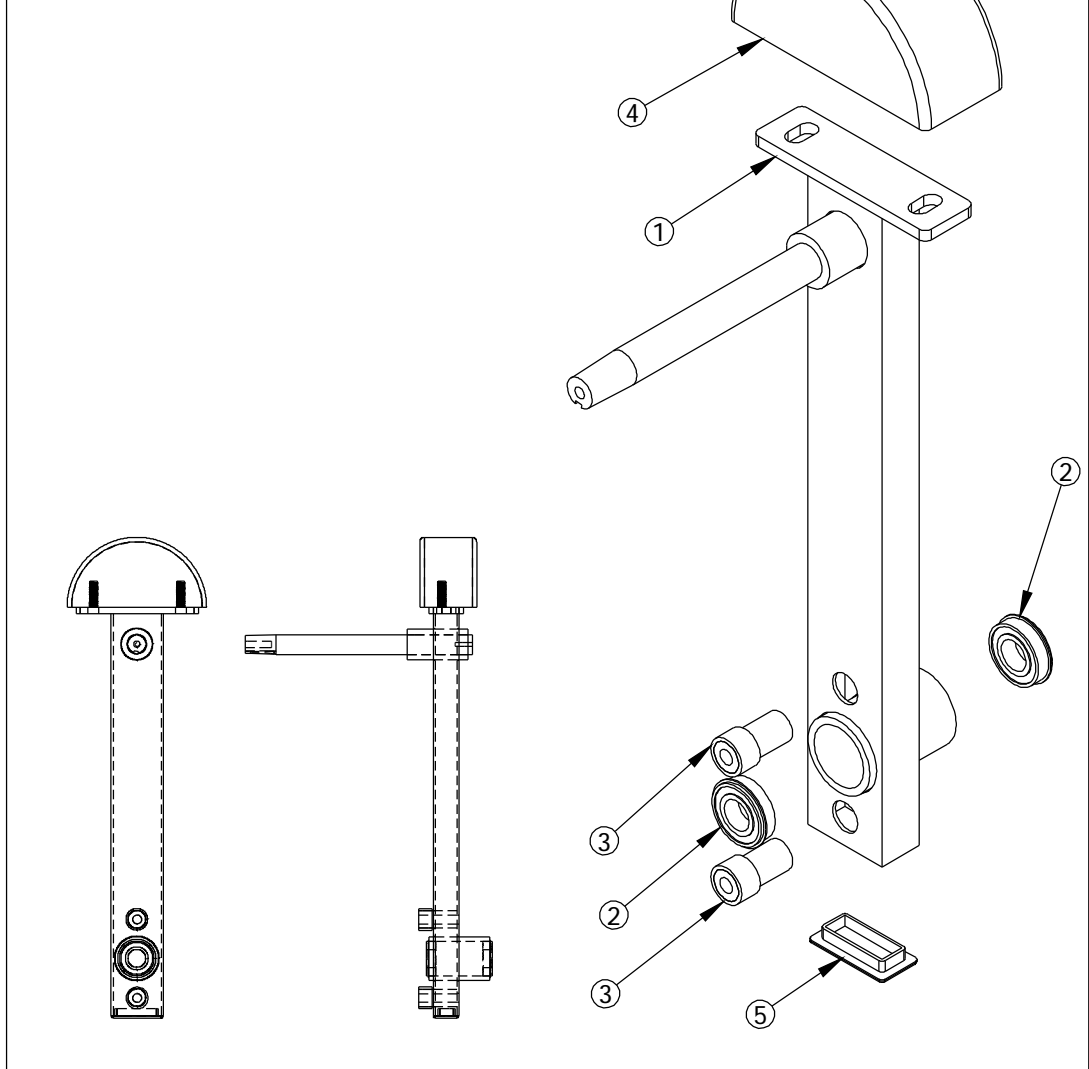
JOB NO.
XXXXXXXX

REV:
1

FILE LOCATION: C:\Cad Drawings\Solid Works\

1 OF 1

ITEM NO.	QTY.	PART NO.	DESCRIPTION
1	1	101-299	3008 HAMMER SUB-ASSEMBLY
2	2	851-416	FLANGE BEARING - 1"
3	2	101-082	STOP
4	1	200-202	8" CRR - 3 1/4"
5	1	850-011	1 1/2" x 3" END CAP



This document contains information proprietary to Magnum Fitness Systems. It is submitted in confidence and is to be used solely for the purpose for which it is furnished. This document and such information is not to be reproduced, transmitted, or used in whole or part without written authorization.

TOLERANCES: + 0.000"
- 1/16"

UNLESS OTHERWISE SPECIFIED
DIMENSIONS ARE IN INCHES.

DRAWN BY:
R. Degenhardt

MAGNUM FITNESS SYSTEMS
2201 12th. Avenue
S. Milwaukee, WI, 53172

TITLE: 3008 HAMMER ASSEMBLY

DATE:
12/13/04

PART NO.
101-309

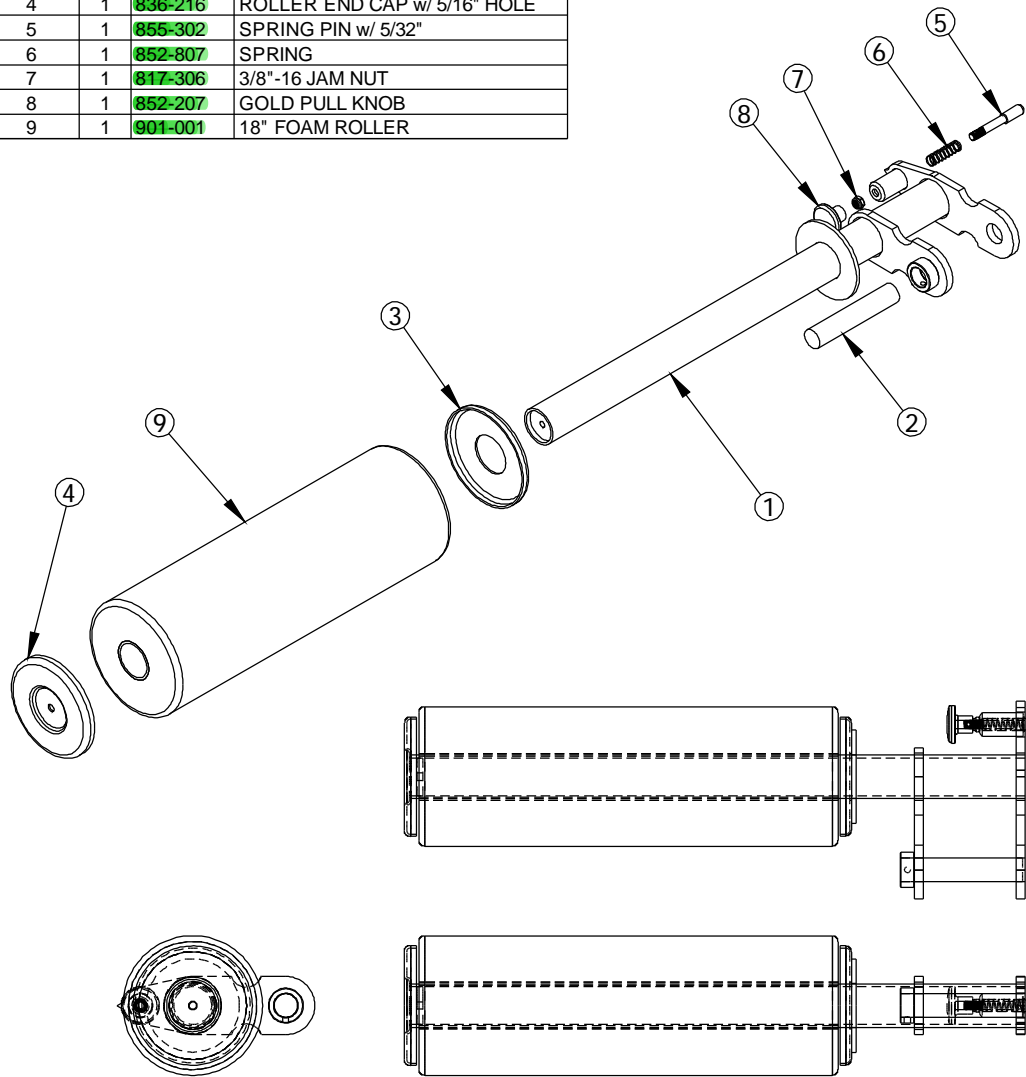
JOB NO.
XXXXXXXX

REV:
1

FILE LOCATION: C:\Cad Drawings\Solid Works\

1 OF 1

ITEM NO.	QTY.	PART NO.	DESCRIPTION
1	1	101-257	ROLLER ASSEMBLY
2	1	200-329	1" CRR - 5 1/4"
3	1	836-215	ROLLER END CAP w/ 2" HOLE
4	1	836-216	ROLLER END CAP w/ 5/16" HOLE
5	1	855-302	SPRING PIN w/ 5/32"
6	1	852-807	SPRING
7	1	817-306	3/8"-16 JAM NUT
8	1	852-207	GOLD PULL KNOB
9	1	901-001	18" FOAM ROLLER



This document contains information proprietary to Magnum Fitness Systems. It is submitted in confidence and is to be used solely for the purpose for which it is furnished. This document and such information is not to be reproduced, transmitted, or used in whole or part without written authorization.

TOLERANCES: + 0.000"
- 1/16"

UNLESS OTHERWISE SPECIFIED
DIMENSIONS ARE IN INCHES.

DRAWN BY:
R. Degenhardt

DATE:
12/10/04

PART NO.
101-307

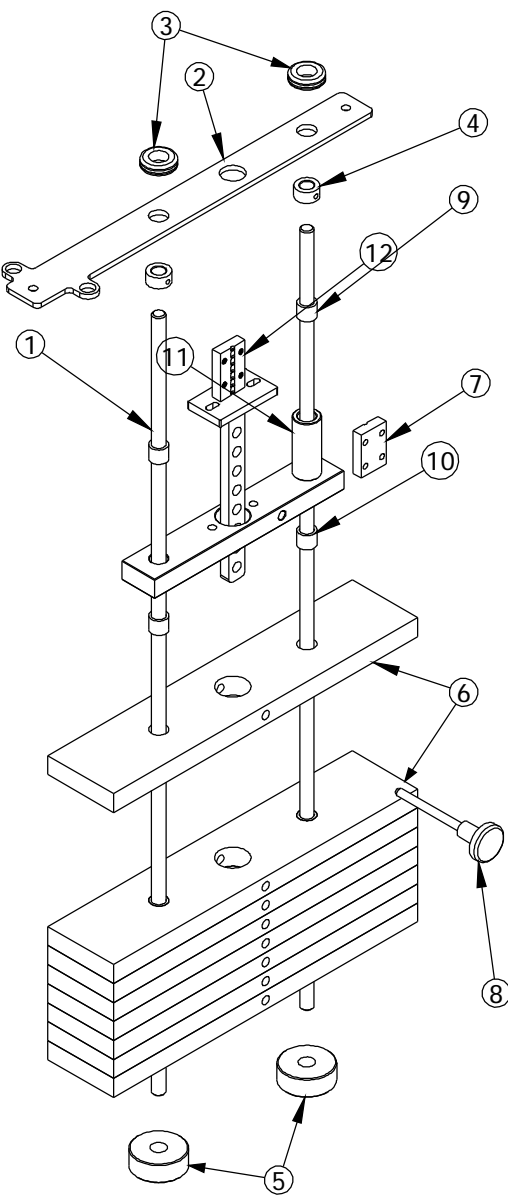
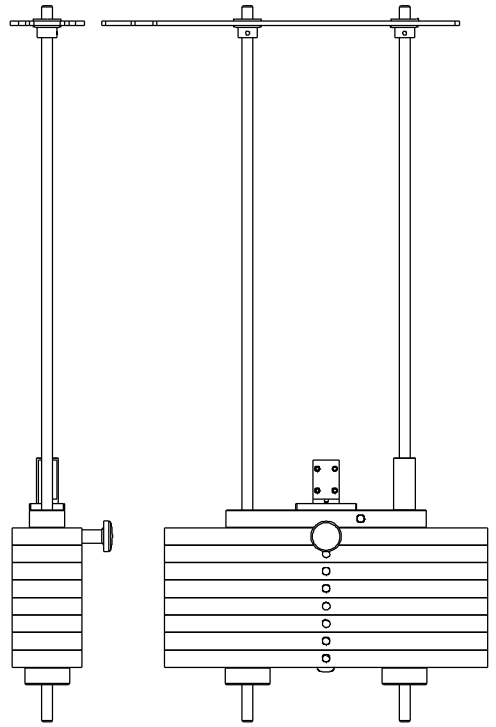
JOB NO.
XXXXXXXX

REV:
1

MAGNUM FITNESS SYSTEMS
2201 12th. Avenue
S. Milwaukee, WI, 53172

TITLE: ROLLER PAD ASSEMBLY
3007, 3008

ITEM NO.	QTY.	PART NO.	DESCRIPTION
1	2	200-384	5/8" GUIDE ROD - 41"
2	1	500-963	1/4" PLASMA
3	2	858-005	5/8" RUBBER GROMMET
4	2	852-610	5/8" SET COLLAR
5	2	838-211	ROUND WEIGHT STACK BUMPER
6	8	300-410	1" x 4" F.S. - 18 1/2"
7	1	339-714	1/2" x 1 1/2" F.S. - 2 1/4"
8	1	852-007	SELECTOR PIN w/ 6 1/2" CORD
9	2	849-001	7/8"OD x 5/8"ID x 3/4" BUSHING
10	16	849-002	7/8"OD x .640"ID x 3/4" BUSHING
11	1	101-129	TOP WEIGHT PLATE
12	1	101-280	CENTER STICK - 8



This document contains information proprietary to Magnum Fitness Systems. It is submitted in confidence and is to be used solely for the purpose for which it is furnished. This document and such information is not to be reproduced, transmitted, or used in whole or part without written authorization.

TOLERANCES: + 0.000"
- 1/16"

UNLESS OTHERWISE SPECIFIED
DIMENSIONS ARE IN INCHES.

DRAWN BY:
RAD

MAGNUM FITNESS SYSTEMS
2201 12th. Avenue
S. Milwaukee, WI, 53172

TITLE: 3000 SERIES WEIGHT STACK
56" FRAME - 8 PLATE STACK

DATE:
11/08/04

PART NO.
101-286

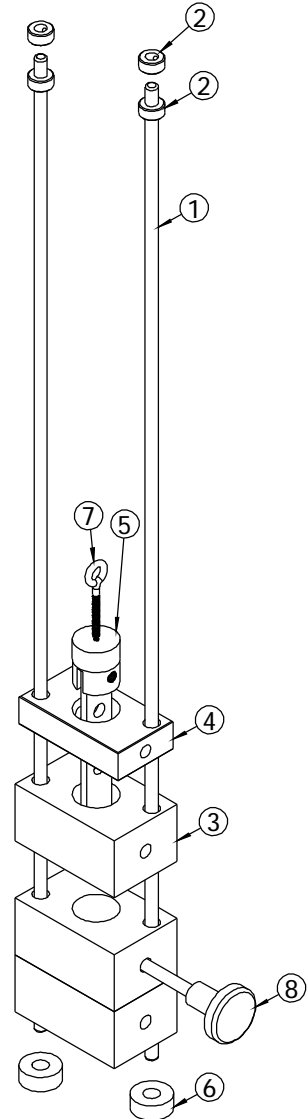
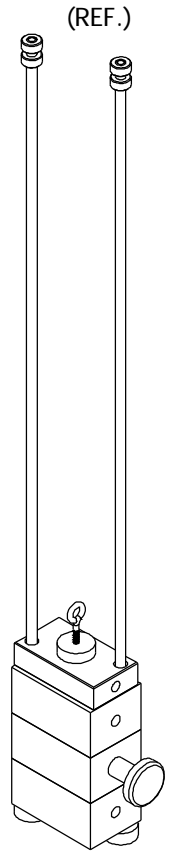
JOB NO.
XXXXXXXX

REV:
1

FILE LOCATION: C:\Cad Drawings\Solid Works\

1 OF 1

ITEM NO.	QTY.	PART NO.	DESCRIPTION
1	2	200-408	3/8" GUIDE ROD - 34 1/8"
2	4	852-607	3/8" SHAFT COLLAR
3	3	300-413	2" x 4" F.S. - 2 9/16"
4	1	807-001	1" x 2 1/4" F.S. - 4"
5	1	101-053	MINI WEIGHT STACK CENTER STICK
6	2	858-251	1/2" RUBBER BUMPER
7	1	818-899	3/8" EYE BOLT - 2 1/2"
8	1	852-008	SELECTOR PIN w/ 4" CORD



<p>This document contains information proprietary to Magnum Fitness Systems. It is submitted in confidence and is to be used solely for the purpose for which it is furnished. This document and such information is not to be reproduced, transmitted, or used in whole or part without written authorization.</p>	<p>TOLERANCES: + 0.000" - 1/16"</p>	<p>MAGNUM FITNESS SYSTEMS 2201 12th. Avenue S. Milwaukee, WI, 53172</p>		
	<p>UNLESS OTHERWISE SPECIFIED DIMENSIONS ARE IN INCHES.</p>	<p>TITLE: Mini-Weight Stack for Left Banana</p>		
<p>DRAWN BY: J. Wenzel</p>	<p>DATE: 08/02/04</p>	<p>PART NO. 101-154</p>	<p>JOB NO. XXXXXXXX</p>	<p>REV: 1</p>
<p>FILE LOCATION: C:\Cad Drawings\Solid Works\</p>				<p>1 OF 1</p>