

This document contains information proprietary to Magnum Fitness Systems. It is submitted in confidence and is to be used solely for the purpose for which it is furnished. This document and such information is not to be reproduced, transmitted, or used in whole or part without written authorization.

TOLERANCES: + 0.000"  
- 1/16"

UNLESS OTHERWISE SPECIFIED  
DIMENSIONS ARE IN INCHES.

DRAWN BY:  
Josh Ellis

**MAGNUM FITNESS SYSTEMS**

2201 12th. Avenue  
S. Milwaukee, Wi, 53172

TITLE: 404 - Four Way Neck

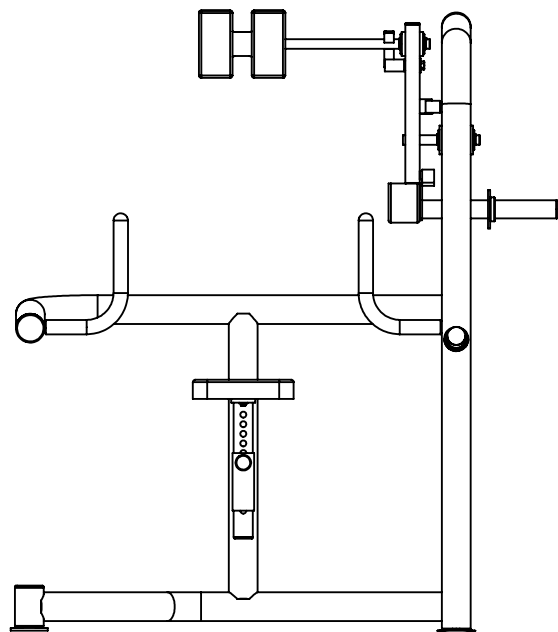
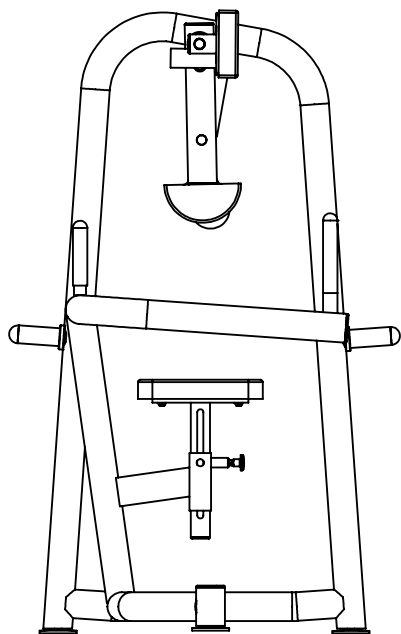
DATE:  
07/09/10

PART NO.  
XXX-XXX

JOB NO.  
XXXXXXXXX

REV:  
1

ITEM NO.	PART NUMBER	DESCRIPTION	QTY.
1	102-446	Main Frame	1
2	102-447	Weight Arm	1
3	102-448	Neck Pad Frame	1
4	200-595	1" CRR - 3 1/2"	1
5	850-030	Bullet End Cap	3
6	858-253	2 1/2"OD x 1 7/8"ID RUBBER BUMPER - 1/2"	3
7	850-045	3" ROUND END CAP	2
8	851-416	FLANGE BEARING - 1"	4
9	101-140	SPRING PIN ASSEMBLY	1
10	850-011	1 1/2" x 3" END CAP	2
11	850-004	2" x 2" END CAP	2
12	819-316	1" Ext. SNAP RING	4
13	339-154	Chrome Seat Post	1
14	833-129	4" FOOT (LONG)	3
15	seat pad	Seat Pad	1
16	neck pad	Neck Pad	2
17	700-539	1" ID Plastic Tube - 2" Long	1
18	700-540	1" ID Plastic Tube - 1 1/2" Long	1
19	700-533	1 1/4" ID Grip - 6" - Cut from 7" Grip (858-321)	2
20	700-541	1 1/4" ID Grip - 17" - Cut From 20" Grip (858-320)	2
21	200-508	8" CRR - 3 1/4"	1
22	Preferred Wide FW 0.3125		2
23	Preferred Wide FW 0.5625		1
24	HBOLT 0.3125-18x1.5x0.875-N		2
25	HBOLT 0.5000-13x1x1-N		1
26	SCHSCREW 0.3125-18x1x1-HX-N		4
27	SCHSCREW 0.5-13x1x1-HX-N		2



This document contains information proprietary to Magnum Fitness Systems. It is submitted in confidence and is to be used solely for the purpose for which it is furnished. This document and such information is not to be reproduced, transmitted, or used in whole or part without written authorization.

TOLERANCES: + 0.000"  
- 1/16"

UNLESS OTHERWISE SPECIFIED  
DIMENSIONS ARE IN INCHES.

DRAWN BY:  
Josh Ellis

## MAGNUM FITNESS SYSTEMS

2201 12th. Avenue  
S. Milwaukee, Wi, 53172

TITLE: 404 - Four Way Neck

DATE:  
07/09/10

PART NO.  
XXX-XXX

JOB NO.  
XXXXXXXXX

REV:  
1